

30 COMPACT ONE | CLEAN -AIR

Freestanding installations



Stûv 30 Compact One freestanding fire

Beauty and function in One.






Stûv fireplaces deliver a perfect harmony between pleasure, performance and respect for the environment. Designed in Belgium, the Stûv 30 Compact One with fixed air setting combines form and function with stunning European design. The glass window offers a magnificent view of elongated flames. This fire is one of New Zealand's cleanest wood burners and is ideally suited for well insulated, low energy homes. Stûv heralds a new simplicity and sophistication in fireplace design.

*ECAN NO: CRC 201302

Approved to National Environmental Standards (NES)

The Fireplace Ltd reserves the right to change all content contained herein and is subject to change without notice.

Key Features

-  Low emission wood burner*
-  Perfect heat for well insulated homes
-  Connects directly to outside air
-  Stove can be rotated up to 360°
-  Built-in ash container

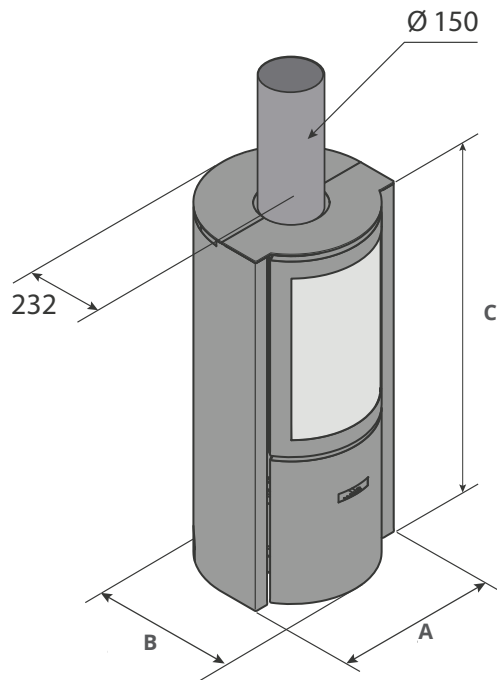
Product Specifications

(All dimensions in millimetres)

Model	10030020
Average Heat Output	7kW
Emissions	0.3g/kg
Efficiency	65%
Fuel Source	Wood (max. log length 25cm)
Weight	114kg

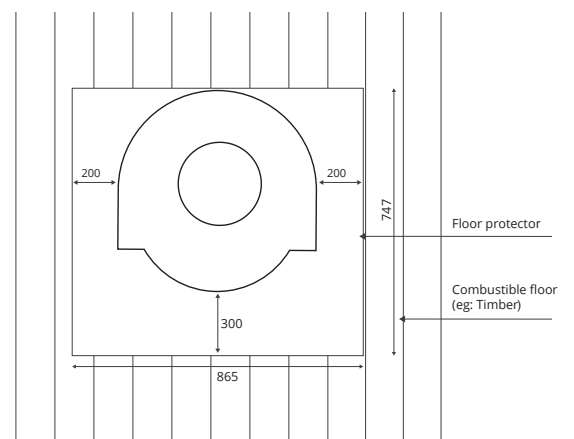
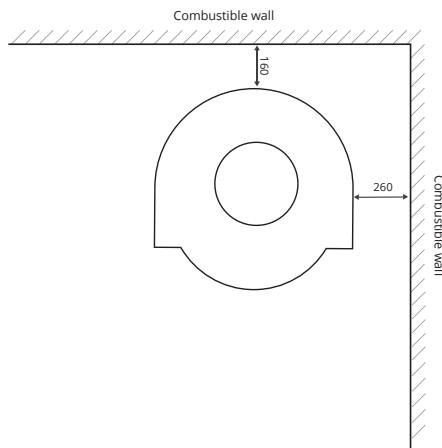
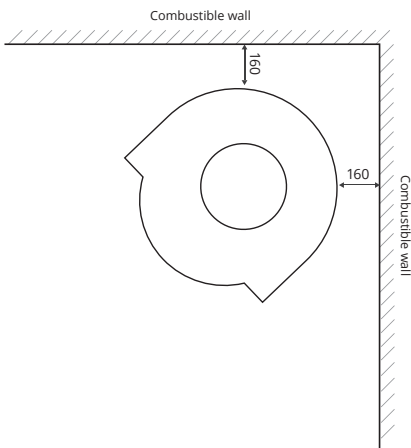
Product Dimensions

MODEL	A	B	C
STÛV 30 Compact One	465	447	1040



Clearance Information

IMPORTANT: PLEASE REFER TO COMPREHENSIVE INSTALLATION INSTRUCTIONS PRIOR TO CONSTRUCTION AND INSTALLATION
 DOWNLOAD FROM: www.thefireplace.co.nz

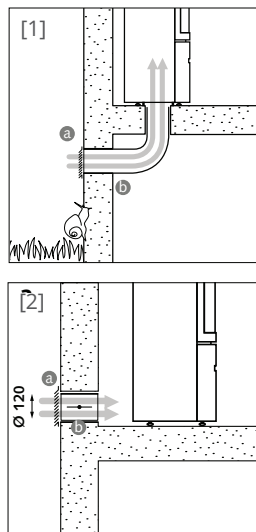


Options & Accessories

Sealed Outside Air Kit



The connection can be made below the stove [1] or at the back [2].



Round Floor Plate



Floor plate 1060mm dia.



Exclusive New Zealand Distributor

The Fireplace Ltd

12 Tawari Street, Mt Eden

Auckland 1024, New Zealand

Ph: 09 623 6990

Email: sales@thefireplace.co.nz

www.thefireplace.co.nz

Your Local Retailer