



Stovax Studio 3 Rural Inbuilt with Edge+






## Supreme design, maximum power.

The Stovax Studio range balances presence with efficiency and heating performance. A selection from this peerless range of contemporary fires will add gravity and style to any interior. It represents the pinnacle of British fire design, engineering and technical innovation.

This Studio 3 Rural inbuilt model is beautifully designed with clean, minimalist lines and enticing widescreen flame visuals. It will create a striking feature in your living space.

**NOTE: This model is suitable only for installations into homes on properties 2ha or larger.**

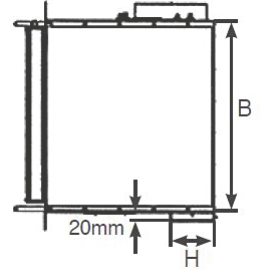
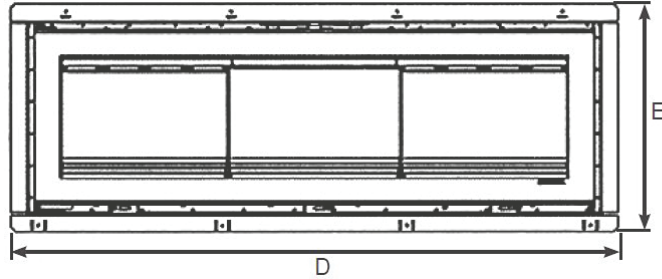
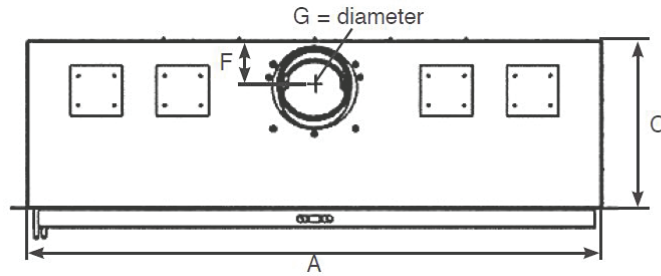
## Key Features

-  Architecturally-inspired design
-  Ultra-wide viewing window, with Airwash
-  High heat output fire
-  Boost control for easy lighting
-  Optional external air kit

## Product Specifications

(All dimensions in millimetres)

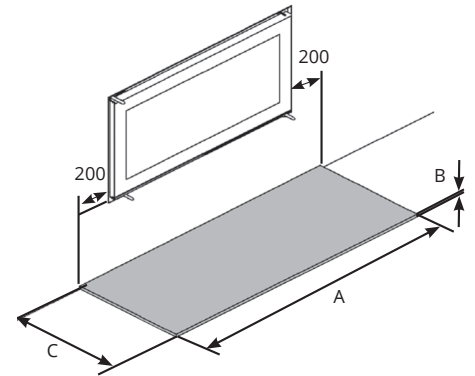
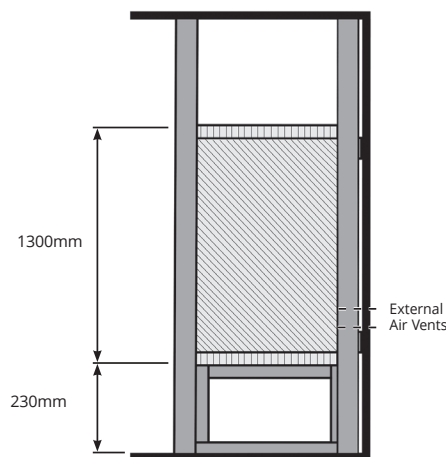
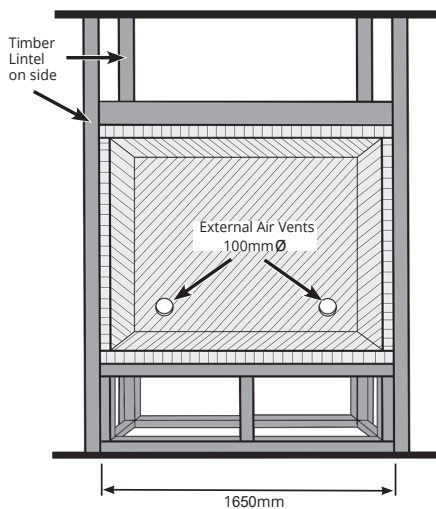
Firebox Model # RVST-3EU  
 Average Heat Output 18kW  
 Fuel Source Wood  
 Weight 175kg



Dimensions	A	B	C	D	E	F	G	H
(mm)	1332	450	393	1406	532	291	153	105

## Installation Information

IMPORTANT: PLEASE REFER TO COMPREHENSIVE INSTALLATION INSTRUCTIONS PRIOR TO CONSTRUCTION AND INSTALLATION  
 DOWNLOAD FROM: [www.thefireplace.co.nz](http://www.thefireplace.co.nz)

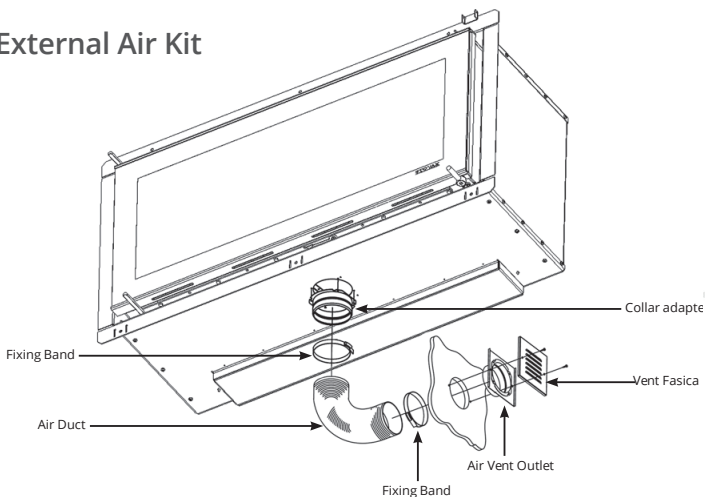


### Floor Protector Minimum Dimensions

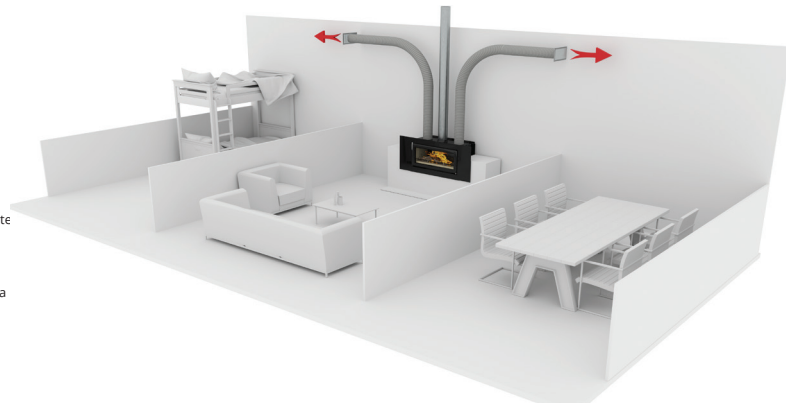
Floor Protector	A	B	C
(mm)	1650	40	850

## Options & Accessories

### External Air Kit



### Warm Air Ducting Kit



Exclusive New Zealand Distributor

**The Fireplace Ltd**

12 Tawari Street, Mt Eden  
 Auckland 1024, New Zealand

Ph: 09 623 6990

Email: [sales@thefireplace.co.nz](mailto:sales@thefireplace.co.nz)

[www.thefireplace.co.nz](http://www.thefireplace.co.nz)

Your Local Retailer