

Warm Air Ducting Kit

Installation Instructions when fitting with Gas or Solid Fuel appliances

For use in GB & IE (Great Britain & Republic of Ireland).

Code: 8572

General Points

IMPORTANT

Please read these instructions carefully and in conjunction with the appropriate appliance Installation and User instructions. They will be needed when maintenance and servicing is required.

Convection air may be ducted from the appliance to distribute warm air to elevated positions within the room or other parts of the building.

The extended duct length is 3m. Lengths may be joined to form longer lengths. Only Stovax ducting may be used with this system.

Packing List

2 x Duct Spigot
4 x Clamp band
2 x Air duct
2 x Wall plate
2 x Vent cover

Installation Requirements

All duct runs must always rise from the appliance and be as straight as possible, with the minimum of bends to ensure a good airflow.

All ducts should be suitably supported along the full length.

If the ducts are to be fitted into a room which is above 4.5m from ground level the relevant section of the UK Building Regulations Approved Document B (e.g. section 2.16) will apply.

Ducts must not be connected to areas designated as a protected stairway as defined by UK Building Regulations Approved Document B.

Where ducts pass through walls or ceilings they must be adequately supported and the space around them filled with suitable non-combustible filler.

It is recommended to fit a CO alarm in the area where the ducts exit in addition to the one required to be placed in the room with the appliance, as detailed in UK Building Regulations Approved Document J.

Solid Fuel Only

If the appliance is installed in a property with a gas appliance fitted consideration should be given to the ventilation air requirements of the gas appliance, and an assessment made by a suitably trained and appropriately qualified gas engineer.

1. Fixing Kit To Appliance

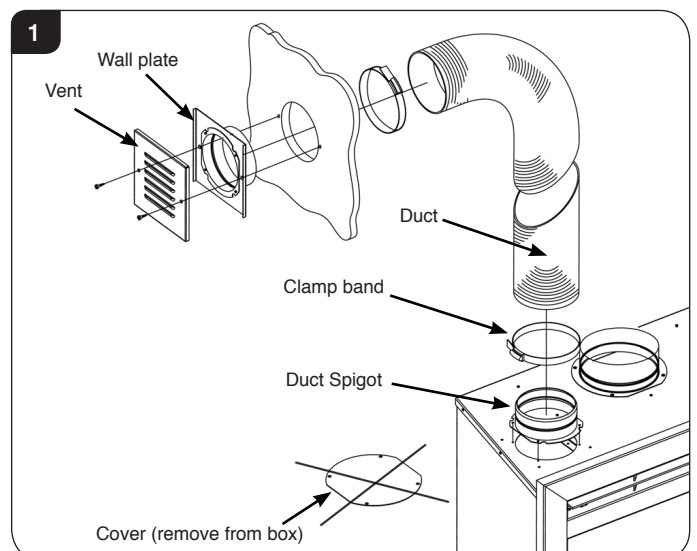
1.1 To fit the ducts:

Remove the cover plates on the top of the firebox by drilling out the fixing rivets or removing the screws.

Fit the duct spigots with either pop rivets or self-tapping screws.

Site the wall plates according to the position recommended in Section 2.

Fit the flexible pipe to the spigots.
Secure with the clamp bands.



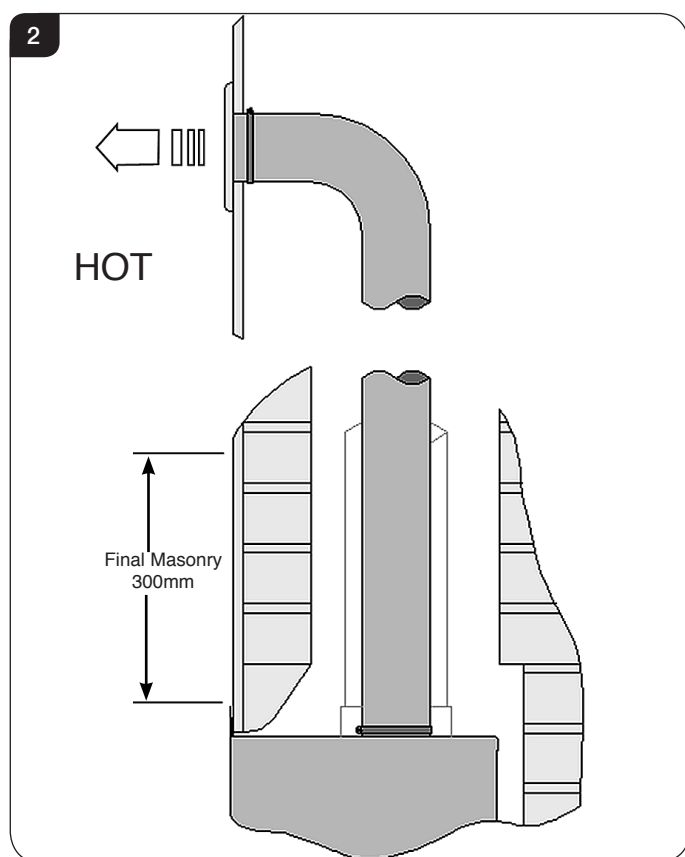
2. Internal Positioning Of The Air Duct

- 2.1 If fitting with a Solid Fuel appliance the air duct must not touch any combustible materials within 550mm of the back of the appliance.
- 2.2 Only use the non combustible ducting supplied with the kit.
- 2.3 Take care when routing the duct to ensure it is not deformed and restricting the airflow.
- 2.4 Due to the possible high temperature of the ducts combustible material must be placed no closer than 100mm to the surface. The duct exits and grills must only be placed in a non-combustible wall panel.
- 2.5 Protect or place the exit ducts at a high level, as the grill surfaces can become very hot when in use.

Use a suitable guard if the exit is at low level to prevent touching or obstruction. Do not place combustible items near the operating duct exit.

2.6 Solid Fuel Appliances only:

Following completion of the fitting of the ducts replace and finish the final 300mm of masonry above the front of the appliance, see Diagram 2.



Commission the appliance and finish the sides of the chimney breast.

2.7 Solid Fuel & Conventional Flued Gas Appliances:

If the ducts are not fitted in the same room as the appliance the spillage test should be repeated to establish any requirement for additional ventilation to ensure safe operation of the product. In some cases this may be above the normal requirements of Building Regulations.

If any checks reveal problems do not operate the appliance until they are rectified.

Refer to the Instructions for Use & Installation (Pre-Installation Checks) supplied with the appliance for additional ventilation requirements.

3. Commissioning & Troubleshooting

- 3.1 Complete the appliance commissioning procedure (see Instructions for Use & Installation supplied with the appliance) following installation of the ducting kit.
- 3.2 It is essential to carefully check that there is no spillage of combustion products when the appliance has reached full operating temperature.

4. Using the Appliance for the First Time

- 4.1 To allow the appliance to settle, and fixing glues and paint to fully cure, operate the appliance at a low temperature for first few days.
- 4.2 Do not touch the paint during the first period of use.
- 4.3 During this time the appliance may give off some unpleasant odours.



Keep the room the appliance is located in and all additional rooms that the ducting kit vents into well ventilated to avoid a build-up of fumes.

- 4.4 Please be aware that, during use, rope seals may discolour. This is normal.

5. Maintenance

- 5.1 Check vents and air ducts at least once a year for any obstructions.
- 5.2 Check the security of air connections to the stove and tighten if required.

STOVAX | **GAZCO**
Fire Your Imagination

Stovax Ltd, Falcon Road, Sowton Industrial Estate, Exeter, Devon, England EX2 7LF

Tel: (01392) 474011 Fax: (01392) 219932 E-mail: info@stovax.com www.stovax.com

E & O E