



Studio 3



Instructions for Installation & Servicing

For use in NZ (New Zealand)

IMPORTANT

THE OUTER CASING, FRONT AND GLASS PANEL BECOME EXTREMELY HOT DURING OPERATION AND WILL RESULT IN SERIOUS INJURY AND BURNS IF TOUCHED. IT IS THEREFORE RECOMMENDED THAT AN APPROVED FIREGUARD IS USED IN THE PRESENCE OF YOUNG CHILDREN, THE ELDERLY OR INFIRM.

CAUTION: THIS APPLIANCE SHOULD BE MAINTAINED AND OPERATED AT ALL TIMES IN ACCORDANCE WITH THESE INSTRUCTIONS. KEEP THEM IN A SAFE PLACE FOR FUTURE REFERENCE AND WHEN SERVICING THE FIRE.

These products are tested in accordance AS/NZS 2918

All installations must be carried out by an S.F.A.I.T (Solid Fuel Authorised Technician).

In New Zealand, the Studio must be bolted to the base to comply with the seismic restraint provisions of AS/NZ 2918: LATEST EDITION.

CONTENTS

Studio 3 (NZ) - Freestanding Stove

Covering the following models:

STUDIO 3

RVFST-3EU

Appliance Commissioning Sheet.....	3
Installation Checklist.....	4
Essential Information.....	4
Parts Identifier.....	5
Dimensions.....	6
Minimum Dimensions - Floor Protector.....	7
Clearances To Combustible Material.....	8
Installation	
Pre-Installation.....	9
Installing the Appliance.....	11
Flue System Installation.....	12
Fitting Internal Components.....	14
Commissioning.....	19
Servicing	
Maintenance & Servicing.....	20
Technical Appendix.....	23
Spare Parts List.....	29
Service Records.....	31



DESIGN PROTECTION

The Studio design, including its frames and accessories, are protected by European Design Registration No. 001169338 0002 0008.

WARRANTY

For purchases outside of the United Kingdom, Republic of Ireland, France, Belgium and the Netherlands, please consult your Stovax retailer for the warranty available in your region. The Fireplace www.thefireplace.co.nz

APPLIANCE COMMISSIONING CHECKLIST

This checklist **MUST** be filled out completely and signed in order to qualify for the full Dealer Warranty. Failing to complete this commissioning checklist will mean the warranty will only be valid for 12 months from the date of purchase.

Dealer appliance was purchased from:

Name:

Address:

Telephone number:

Essential information - MUST be completed:

Date Installed:

Model Description:

Serial Number:

Installation Technician:

Company Name:

AHHA/SFAIT License No

Address:

Telephone number:

Commissioning Checks - to be completed and signed:

Is flue system correct for the appliance:	YES <input type="checkbox"/>	NO <input type="checkbox"/>
Flue swept and soundness test complete*:	YES <input type="checkbox"/>	NO <input type="checkbox"/>
Smoke test completed on installed appliance	YES <input type="checkbox"/>	NO <input type="checkbox"/>
Spillage test completed	YES <input type="checkbox"/>	NO <input type="checkbox"/>
Use of appliance and operation of controls explained	YES <input type="checkbox"/>	NO <input type="checkbox"/>
Clearance to combustible materials checked**	YES <input type="checkbox"/>	NO <input type="checkbox"/>
Instruction book handed to customer	YES <input type="checkbox"/>	NO <input type="checkbox"/>
Smoke Alarm Fitted (Mandatory)	YES <input type="checkbox"/>	NO <input type="checkbox"/>
CO Alarm Fitted (Recommended)	YES <input type="checkbox"/>	NO <input type="checkbox"/>

*If using an existing flue system - not applicable for a new flue assembly
 ** Record with photographs if possible.

Signature: Print Name:

INSTALLATION CHECKLIST

PLEASE NOTE: This section is intended to give an overview of the product performance and essential information required for installing the appliance.

It is intended for qualified engineers who are already familiar with Stovax products.

For full details and expanded information please see the Technical Appendix at the back of this manual.

ESSENTIAL INFORMATION

GENERAL	Model:			
	STUDIO 3 FREESTANDING STOVE			
	Nominal Heat Output	Wood	kW	12.6
	Efficiency	Wood	%	76.1
	CO @ 13% O ₂	Wood	%	0.1
	Weight		Kg	120
Recommended Fuels	Wood	Seasoned Wood (less than 20% moisture content)		

As tested to the requirements of EN 13240 for intermittent operation

FLUES	Flue/Chimney Size	With Liner of Factory made system (diameter) installed in accordance with manufacturers instructions	mm	150
			inch	6
	Flue/Chimney minimum height*	All products **must be 4.5m from the appliance to the top of the flue, with no horizontal sections and a maximum of 4 bends. Bends must have angles of less than 45 degrees off the vertical.	m	4.5
			feet	15
	Flue Draught	Min	Pa	10
		Nominal		12
		Max		20
	Flue Gas Mass Flow	Wood	g/s	9.3
Average Flue Gas Temperature	Wood	°C	361	
Flue Outlet Size (Top Option)		mm	150	
		inch	6	

VENTILATION	Room Air Replacement - SUGGESTED MINIMUM (vents x 2) - See page 28	mm	175 x 175
--------------------	------------------------------------------------------------------------------	----	-----------

For full technical details on ventilation see Technical Appendix

i *When measured from the top of the appliance to the top of the flue, with no horizontal sections and a maximum of 4 bends with angles of less than 45°. Bends should be installed as high as possible in the flue run and only after the first flue run of 1.2M.
**** DO NOT PLACE ANY OFFSET BENDS DIRECTLY INTO THE FLUE SPIGOT ON THE FIREBOX UNLESS THE DEFLECTION OFF THE VERTICAL IS 10 DEGREES OR LESS. NO BENDS OFF THE TOP OF THE APPLIANCE.**

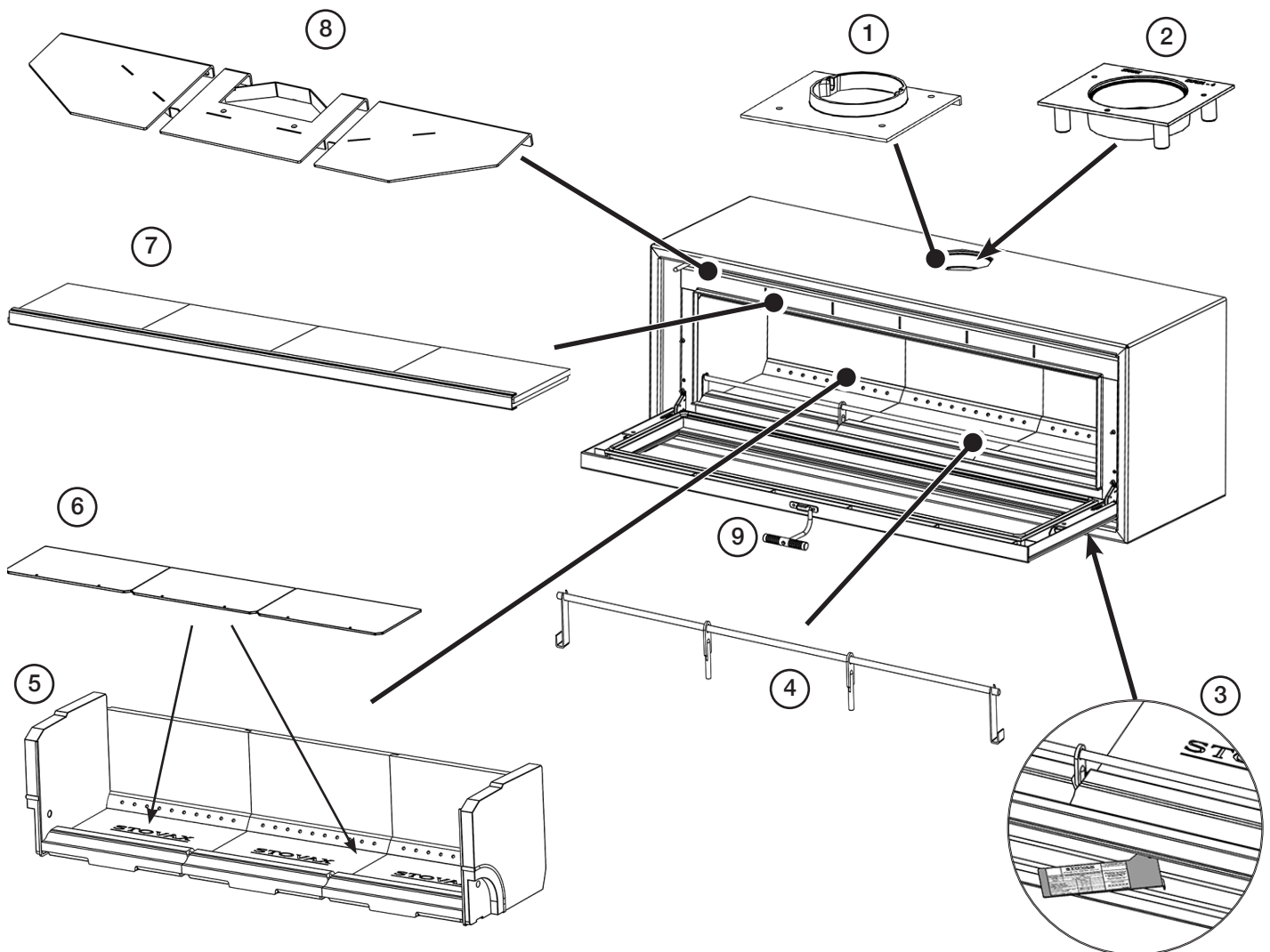
GENERAL POINTS

Each installation is unique to the property so it is not possible to give details to suit every setting. The installation must comply with Building Regulations and be made using "best practice" construction methods.

Stovax Studio appliances can reach high temperatures so it is important to maintain the clearance to heat sensitive materials.

Take care when installing the appliance. Careless handling and use of tools can damage the finish and/or area.

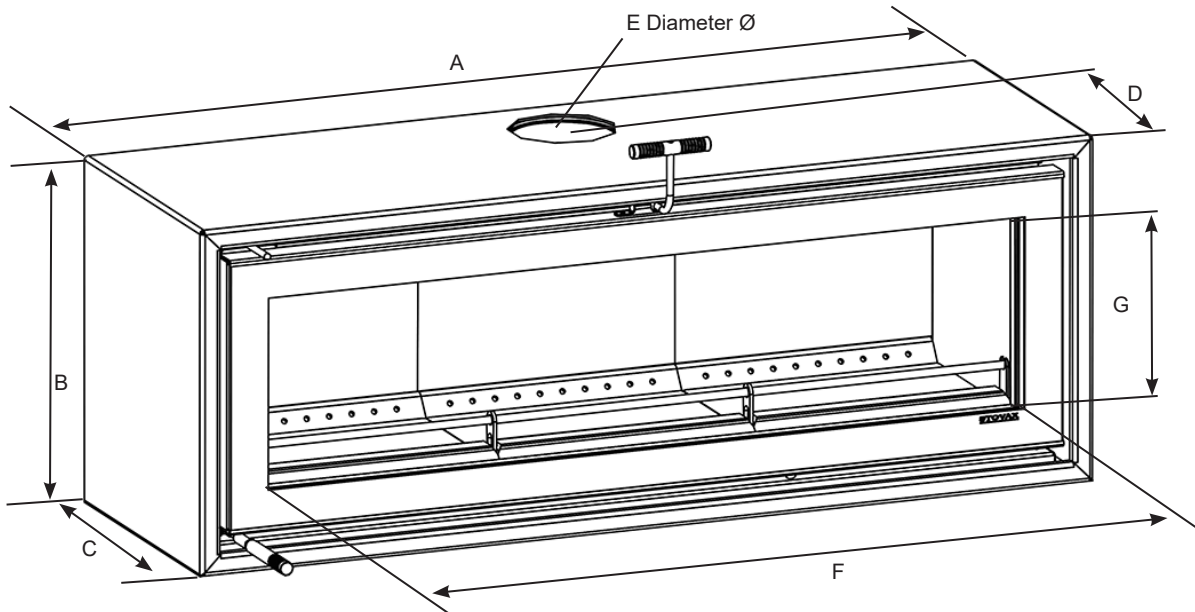
PARTS IDENTIFIER



1. Inner Flue Collar
2. Top Flue Collar
3. Dataplate*
4. Log Guard
5. Brick Assembly
6. Brick Protector
7. Baffle Bricks
8. Metal Baffle
9. Door Tool

* Studio 3 Data plate only accessible when door is closed

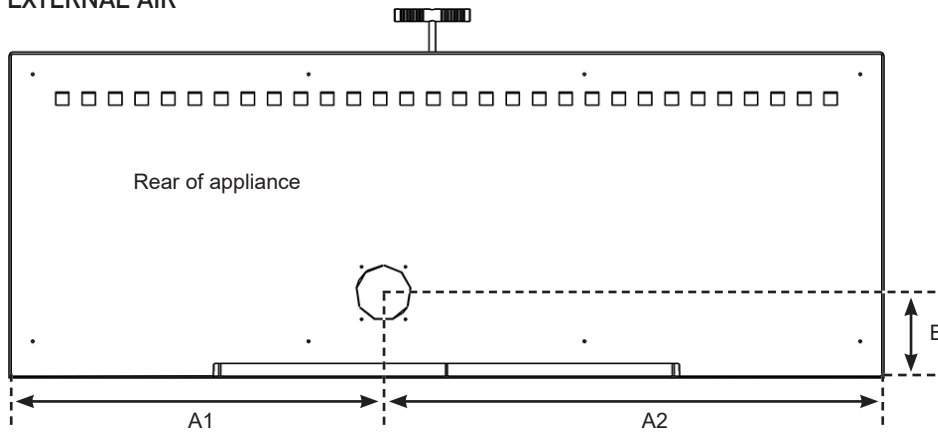
DIMENSIONS



DIMENSION	A	B	C	D	E	F	G
STUDIO 3	1389	516	445	325	153	1177	286

All dimensions in mm. (25.4 mm = 1")

EXTERNAL AIR



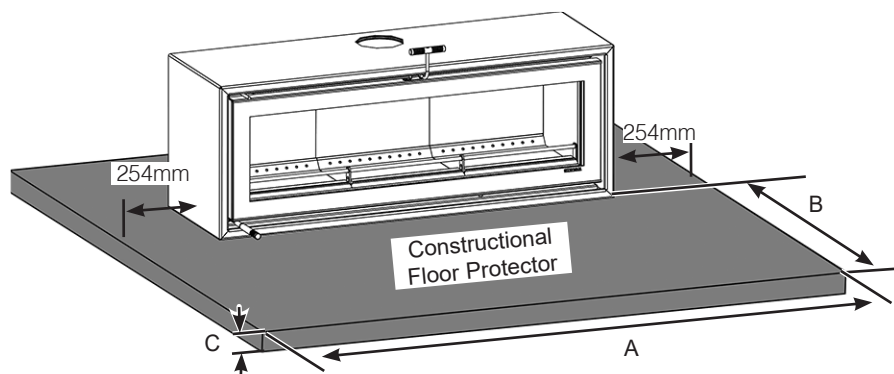
EXTERNAL AIR DIMENSIONS (mm)	A1	A2	B
STUDIO 3	595	795	135

i NOTE: EXTERNAL AIR KIT (RVS-AIR) IS REQUIRED IF USING DIRECT EXTERNAL AIR.

MINIMUM DIMENSIONS - FLOOR PROTECTOR

FLOOR MOUNTED

If the appliance is installed directly onto the floor it must stand on a heat resistant constructional floor protector of the minimum dimensions shown and meet the requirements of AS/NZS 2918:2001, section 3.3.3.



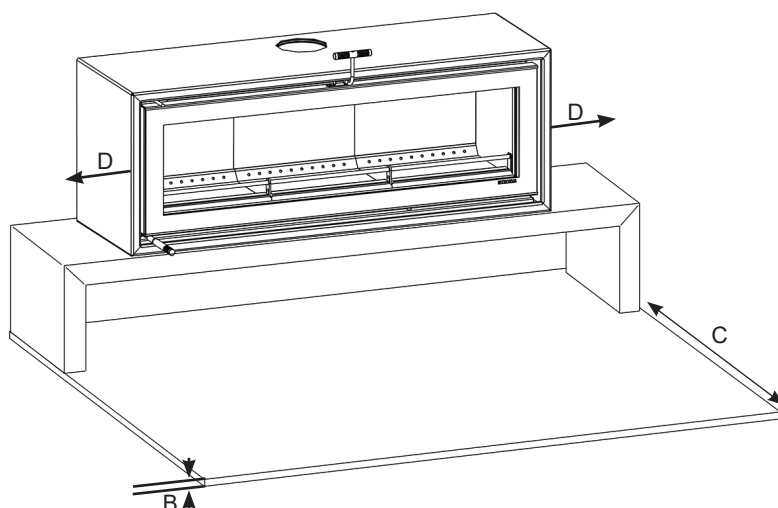
STUDIO DIMENSIONS (mm)	A	B	C
Floor Protector Dimensions	1897	850	40



40mm Skamotec 225

BENCH MOUNTED

If this appliance is installed on a Stovax Bench, the bench must stand on a heat resistant floor protector.



	STUDIO 3
B (Thickness)	40
C (250 High Bench)	850
C (350 High Bench)	800
D Side	595

The building must have a suitable load-bearing capacity for the floor protector and appliance. Consult a structural engineer for advice before proceeding.

When fitting into an existing floor protector check that the appliance complies with current construction regulations and is at least the minimum sizes shown.

If there is no existing floor protector and chimney it is possible to construct a suitable heat resistant housing and floor protector setting. The flue must be installed in accordance with all local and national regulations and current rules in force.

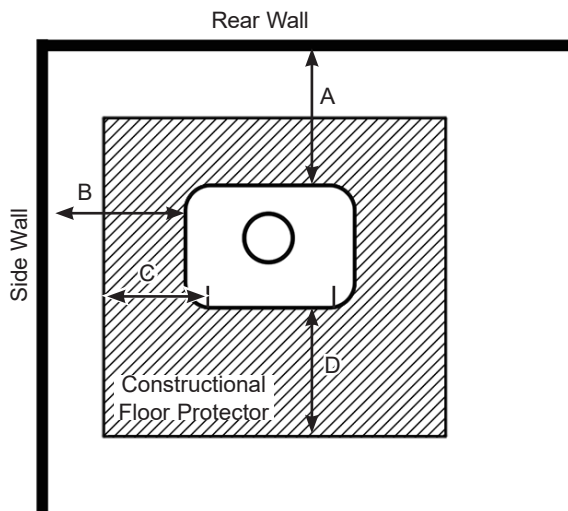
CLEARANCES TO COMBUSTIBLE MATERIAL



IMPORTANT: INSTALLATION MUST COMPLY WITH THE REQUIREMENTS AS/NZS2918 (LATEST EDITION) ENSURE THAT SUFFICIENT CLEARANCES ARE PROVIDED BETWEEN THE FLUE PIPE AND ANY HEAT SENSITIVE MATERIALS IN THE FIREPLACE IN ACCORDANCE WITH THE RULES IN FORCE.

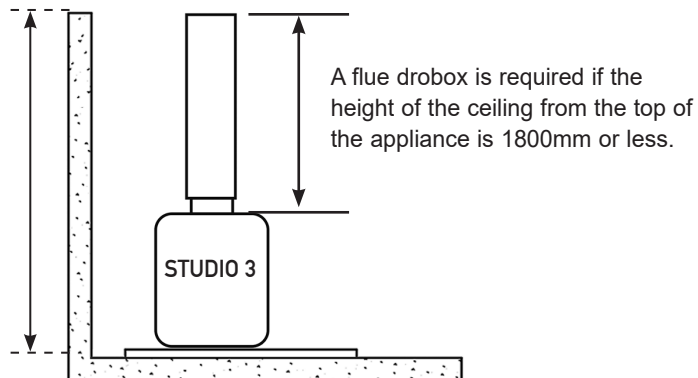
When installing a Studio stove it is important to observe the following clearances to both heat sensitive and heat resistant materials. Also ensure that a clearance of 1 meter is maintained in front of the appliance when operating. The appliance must be installed a minimum distance from any surrounding walls to meet the requirements of AS/NZS 2918 (LATEST EDITION).

Clearances to the rear and sides can be reduced if these walls are non-combustible. Please refer to AS/NZS 2918.



	A	B	C (DOOR TO EDGE OF FLOOR PROTECTOR)	D
CLEARANCE (mm)	500	595	300	850

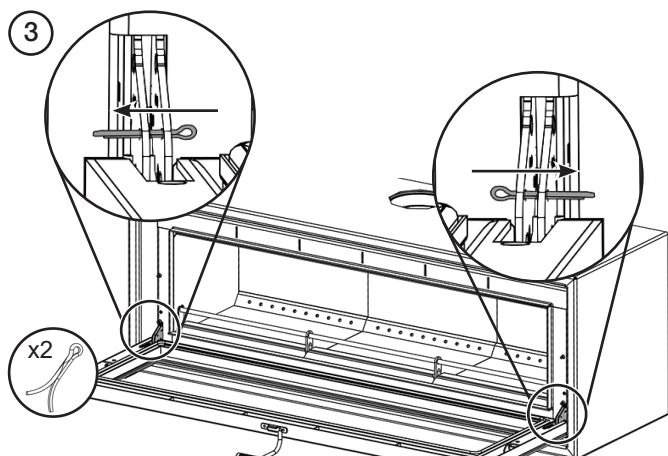
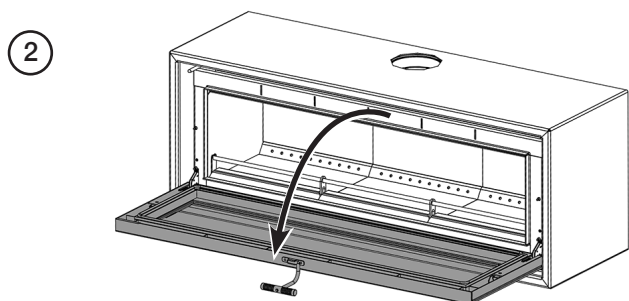
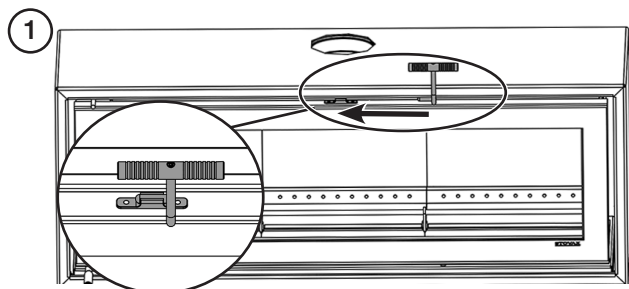
HEIGHT ABOVE APPLIANCE



PRE-INSTALLATION

To make the installation of the appliance easier it is best to remove the internal components before fitting.

DOOR



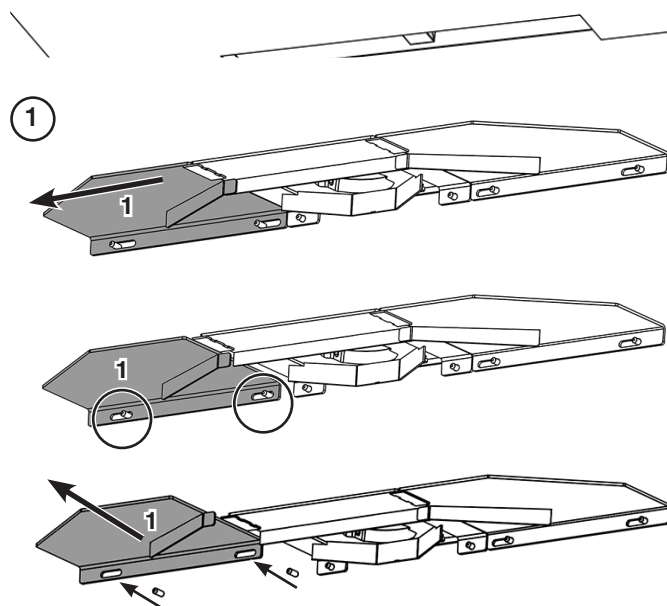
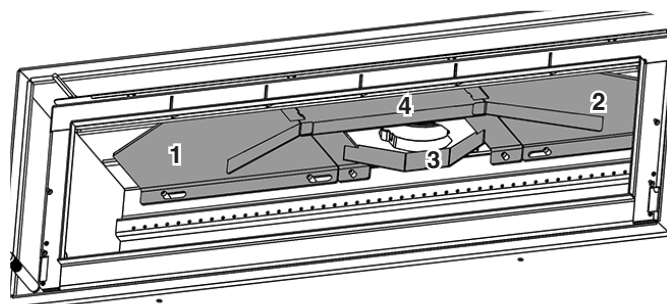
REMOVAL OF INTERNAL COMPONENTS

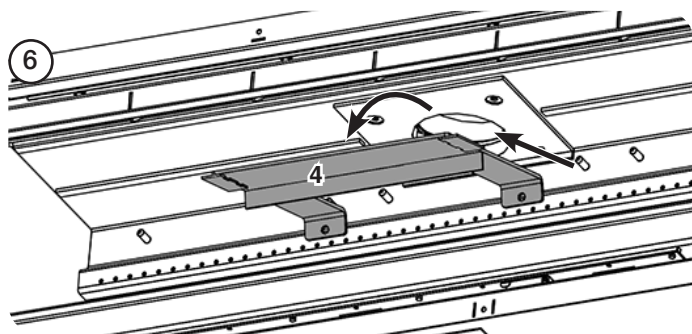
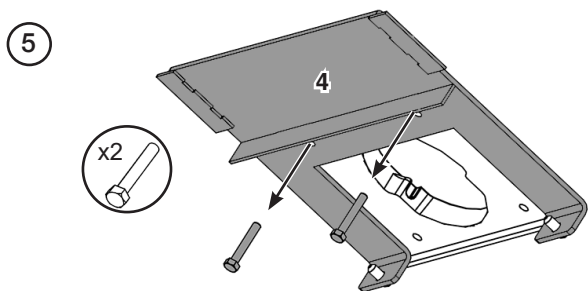
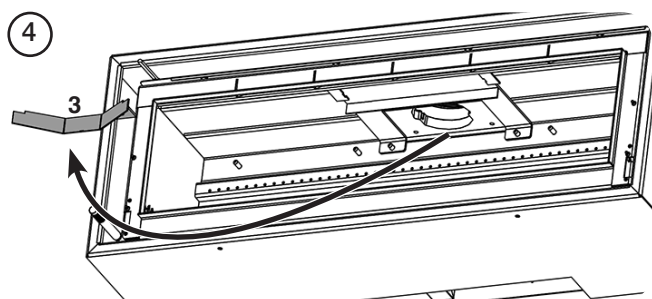
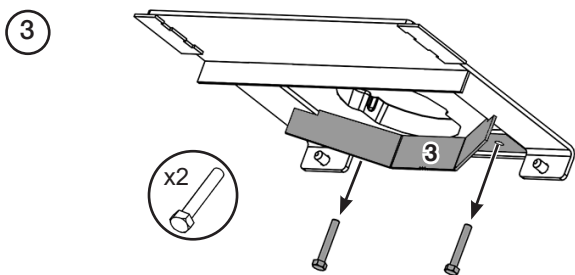
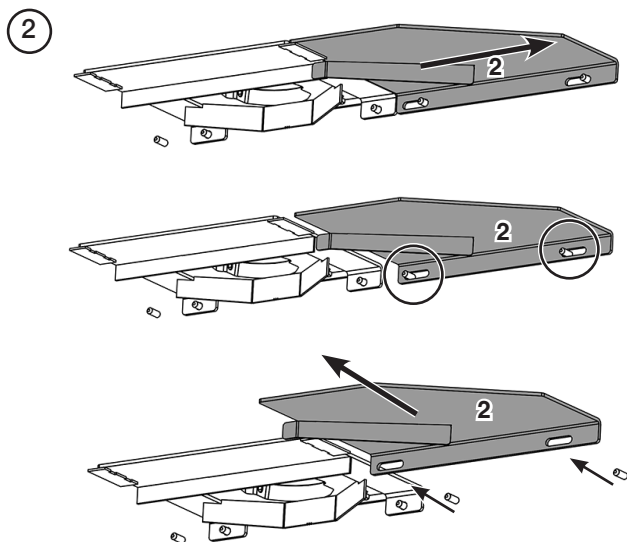
In the firebox of the Studio are several loose items including:

- A box containing:
 - Baffle Bricks
 - Firebricks
 - Bag containing Instruction Manual, Warranty & Door Tool & Log Guard End Supports
- Log Guard
- Front Baffle Support

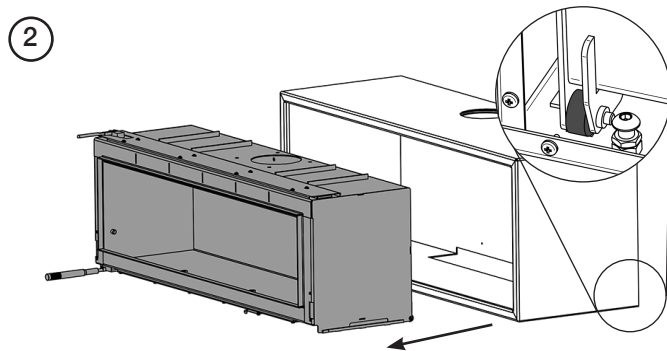
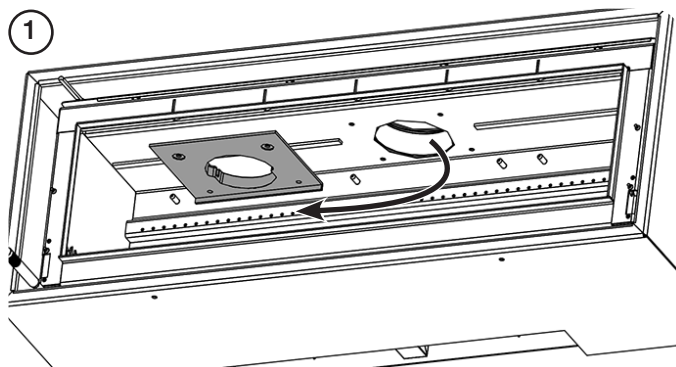
Remove these carefully and put them safely to one side. They can be fitted after the appliance has been installed, see Installation Section.

TOP BAFFLES





INNER COLLAR



INSTALLING THE APPLIANCE

INSTALLING THE APPLIANCE

Each installation is unique to the property so it is not possible to give details to suit every setting. The installation must comply with Building Regulations and be made using "best practice" construction methods.

Many fireplace openings have a supporting lintel. Do not remove without supporting the remaining structure of the building. **Do not support the structure with the appliance or the flue system.**

Take care when installing the appliance. Careless handling and use of tools can damage the finish and/or area.

THIS APPLIANCE MUST BE SECURELY BOLTED IN POSITION TO SUPPORT THE DOOR WHEN IT IS OPENED.



NOTE: If installing with a Dedicated External Air Kit, please consult manual PM361 prior to installation.

OPTIONAL EXTRAS

The following optional extras can improve the performance of the appliance and need to be fitted at the time of installation.

DECORATIVE FLUE COVER

This appliance can be fitted with an optional decorative flue cover. For installation procedures please refer to the instructions supplied with the kit.

DEDICATED EXTERNAL AIR KIT

This appliance can be fitted with an optional kit (RVS-AIR) to help bring air directly into the appliance from outside. For installation and operating procedures, refer to the instructions supplied with the Outside Air kit.

BENCH

This appliance can be mounted on Stovax Bench. For installation refer to the instructions supplied with the Bench.

INSTALLATION

Take care when installing the appliance. Careless handling and use of tools can damage the finish and/or area.

WARNING: THE APPLIANCE AND FLUE-SYSTEM SHALL BE INSTALLED IN ACCORDANCE WITH AS/NZS 2918 AND THE APPROPRIATE REQUIREMENTS OF THE RELEVANT BUILDING CODE OR CODES.

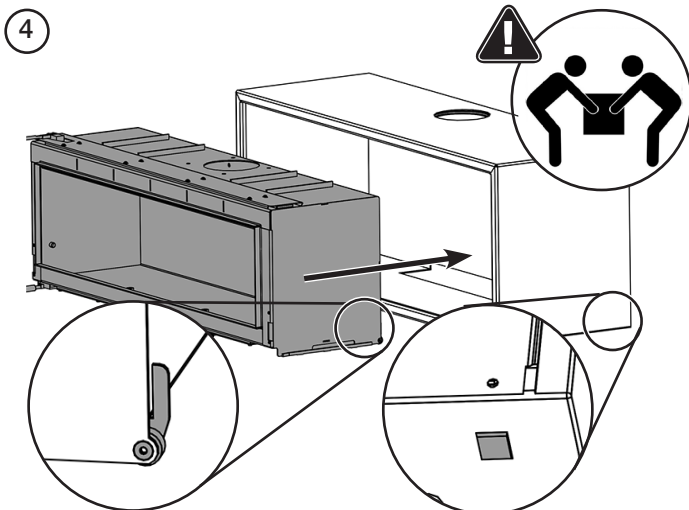
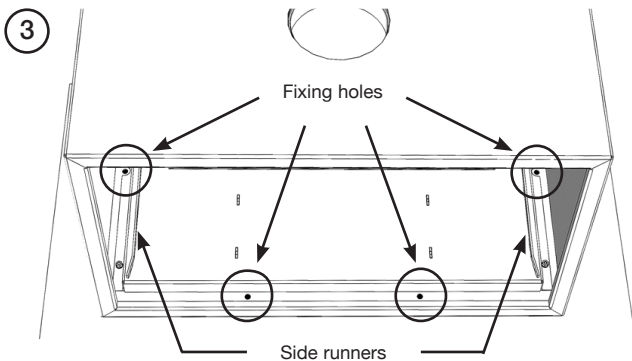
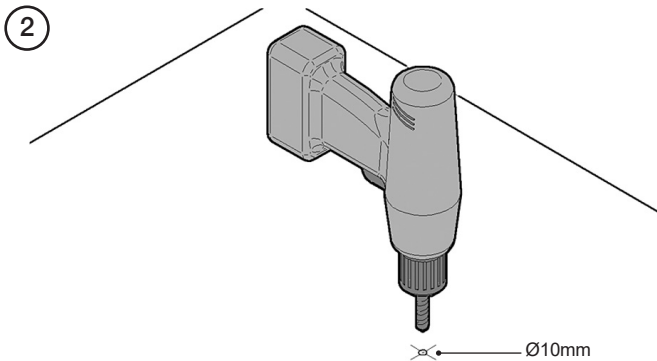
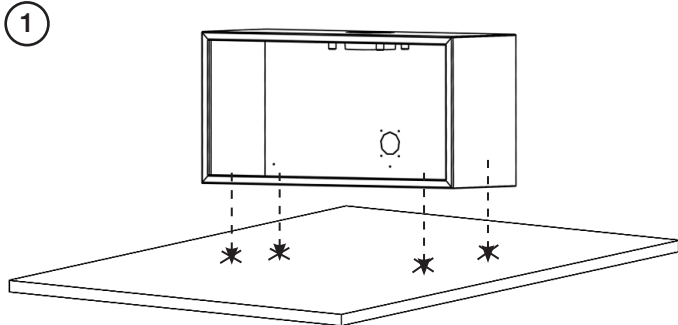
CAUTION: MIXING OF APPLIANCE OR FLUE-SYSTEM COMPONENTS FROM DIFFERENT SOURCES OR MODIFYING THE DIMENSIONAL SPECIFICATION OF COMPONENTS MAY RESULT IN HAZARDOUS CONDITIONS. WHERE SUCH ACTION IS CONSIDERED, THE MANUFACTURER SHOULD BE CONSULTED IN THE FIRST INSTANCE.

CAUTION: CRACKED AND BROKEN COMPONENTS MAY RENDER THE INSTALLATION UNSAFE.

INSTALLATION

Take care when installing the appliance. Careless handling and use of tools can damage the finish and/or area.

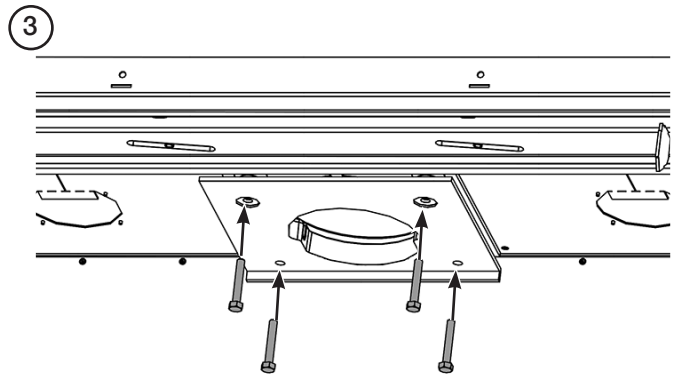
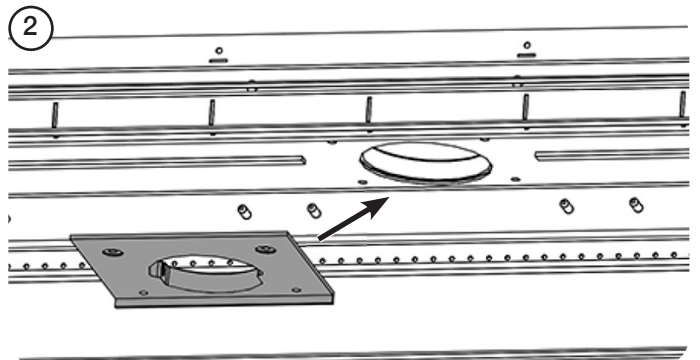
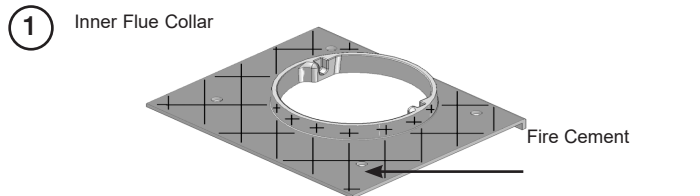
BOLTING THE APPLIANCE TO THE HEARTH



FLUE SYSTEM INSTALLATION



This appliance must be installed using a Flue Drop Box if the ceiling height is 1800mm or less. Refer to pages 25-26.

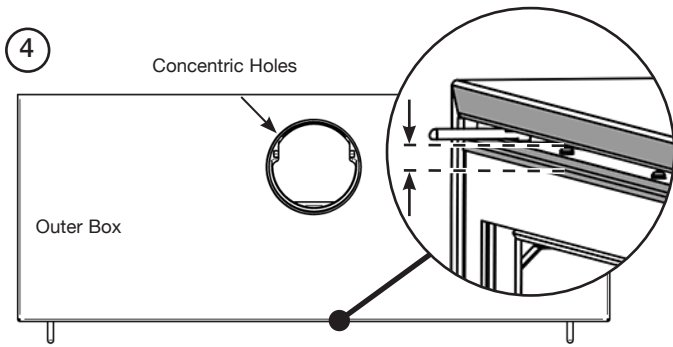


All bolts must be finger tight only at this stage.

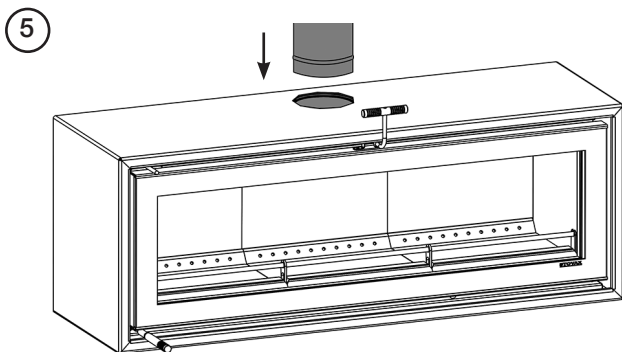
Connect appliance to chimney using flue pipe:



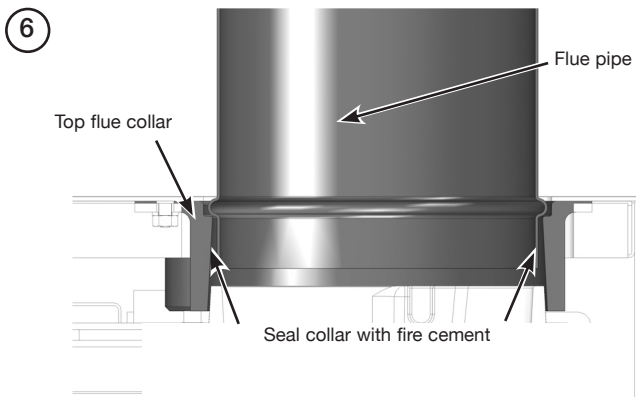
- 1) Install first length of flue pipe crimped end down, inside gather collar.
- 2) Rivet flue pipe in 3 places around gather collar. Use Monel or SS rivets only.
- 3) Place bottom flue spider bracket around gather flue pipe collar, secure in position by tightening up coach bolt/screw (supplied).
- 4) Install second length of the flue pipe crimped end down and fix by riveting in at least 3 places around the flue pipe joint.
- 5) Install first length of the flue pipe casing by positioning on installed bottom flue spider bracket crimped end up.
- 6) Position flue spacer at the flue pipe joint.
- 7) Repeat steps 1 - 4 to the required flue height.



SEAL THE CONNECTING JOINTS



i The flue must be installed in accordance with the manufacturer's instructions. If a decorative flue ring is being fitted (RVAC220B) this must be done before final connection of the flue pipe.

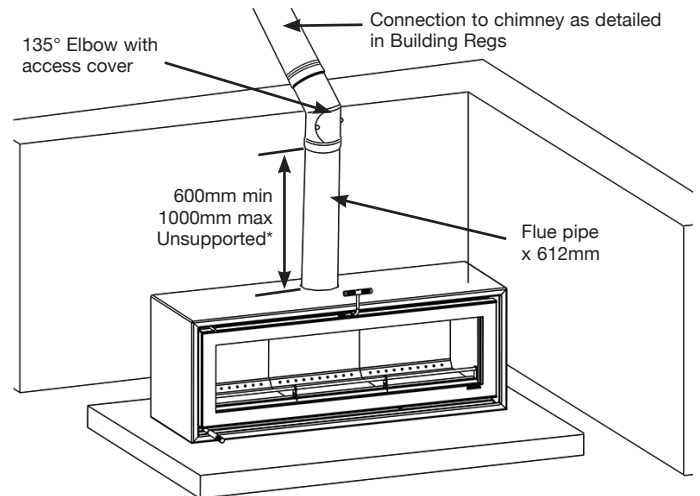


From the top of the appliance, place a generous amount of fire cement inside the top flue collar.

Insert the first length of the flue pipe into the flue collar so that the bulge is inside the flue collar and resting on the ledge.

Note: The Top Flue Connection should meet the requirements of AS/NZS2918:LATEST EDITION Section 4 with a flue shield fitted in accordance with section 4.5.2.

A TYPICAL TOP FLUE PIPE INSTALLATION

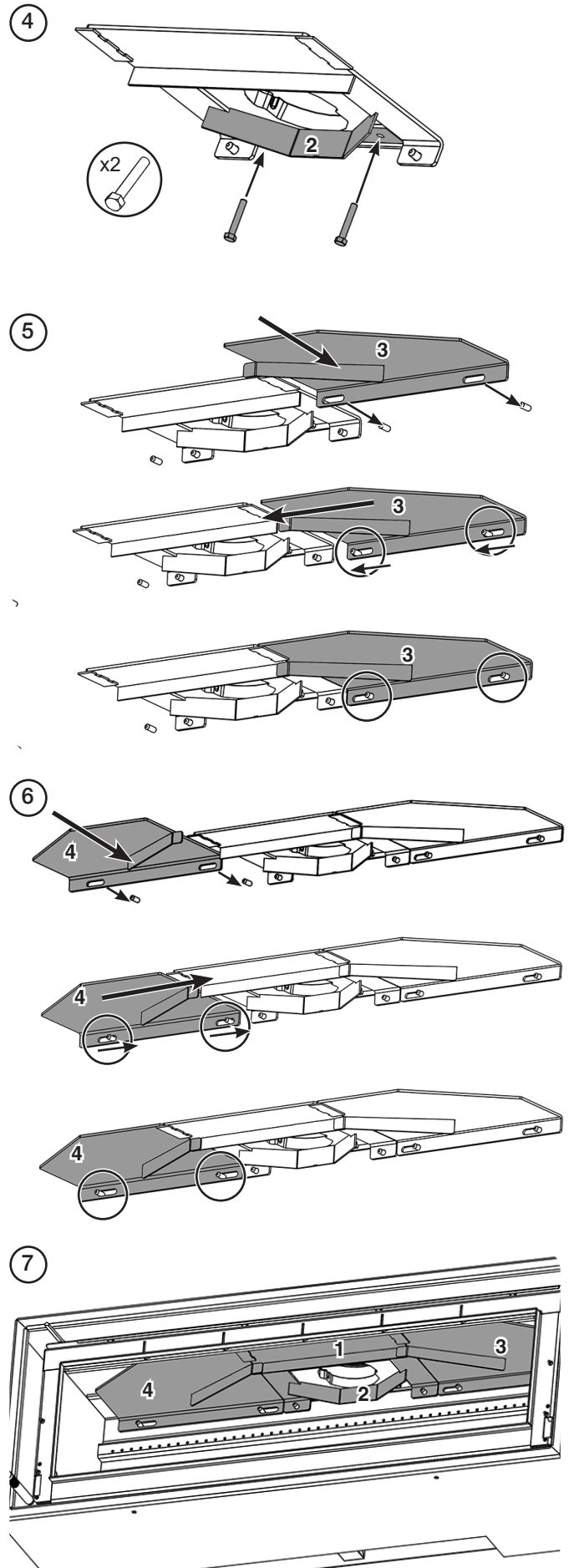
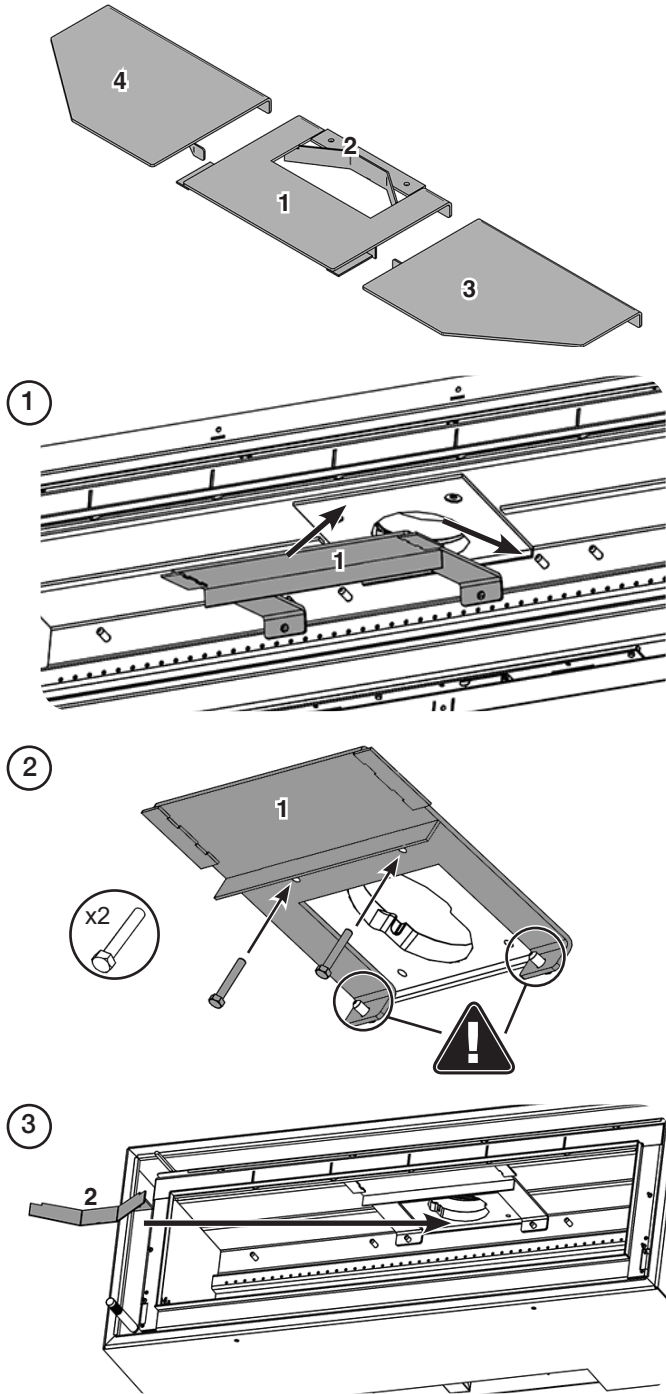


*Must be supported if installed with twin wall flue pipe

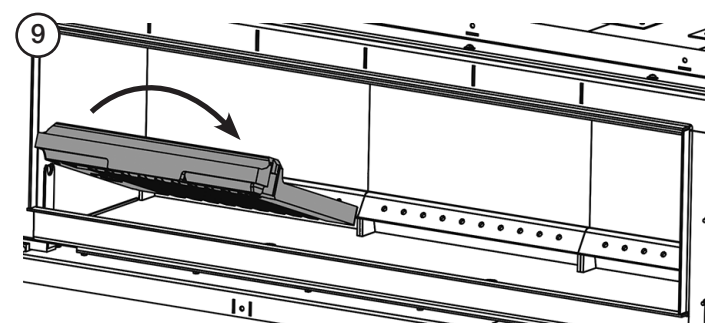
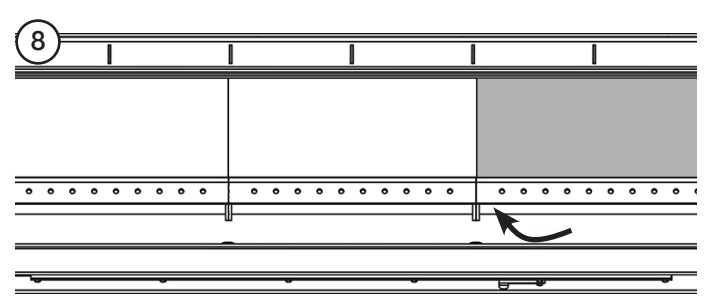
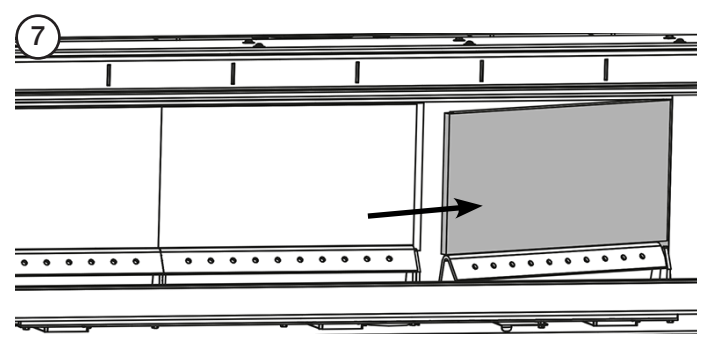
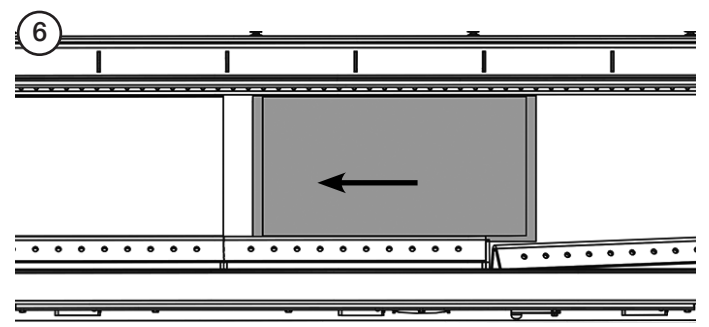
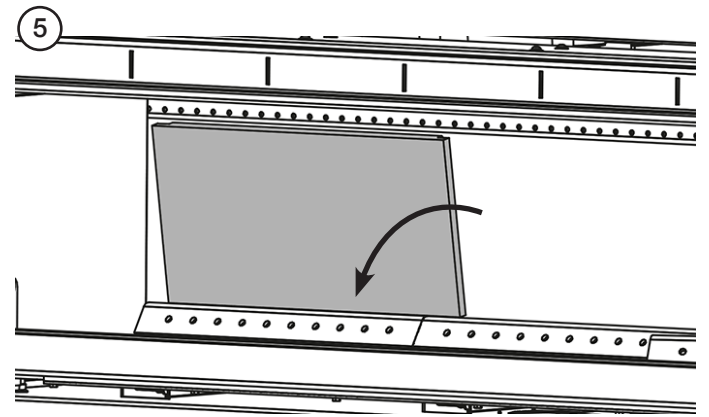
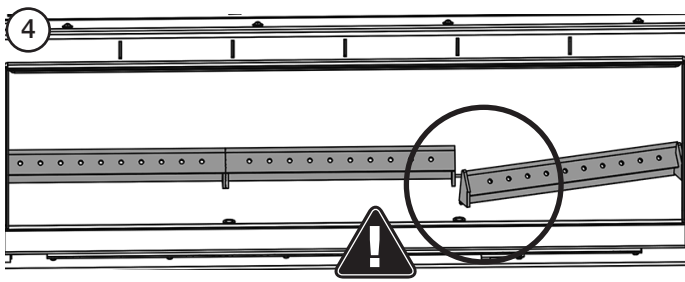
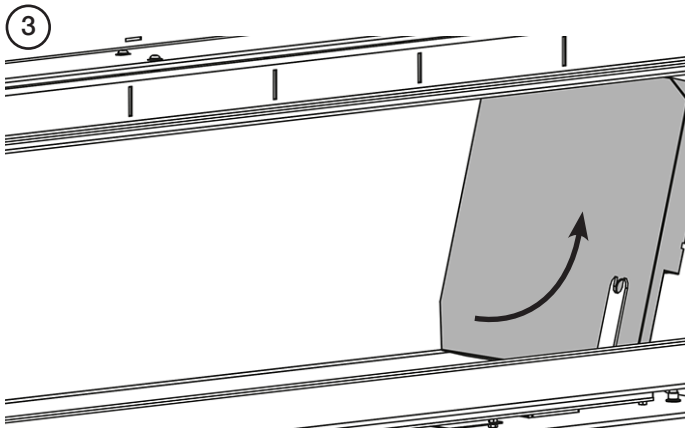
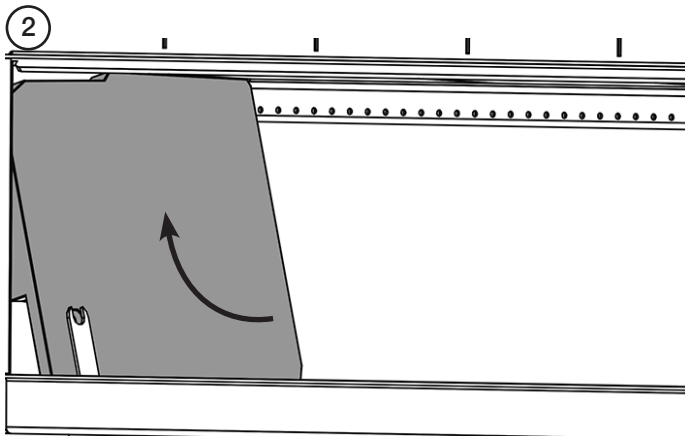
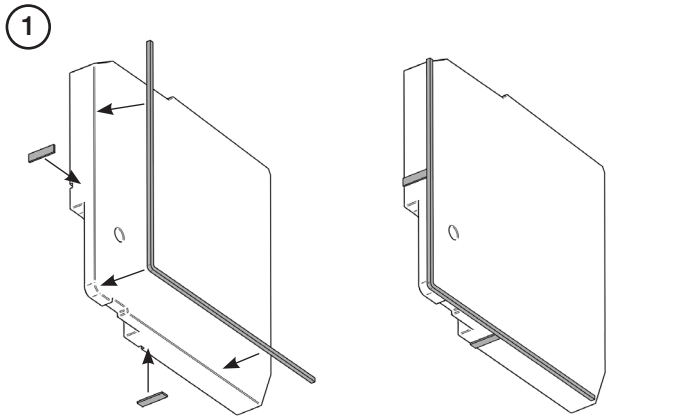
FITTING OF INTERNAL COMPONENTS

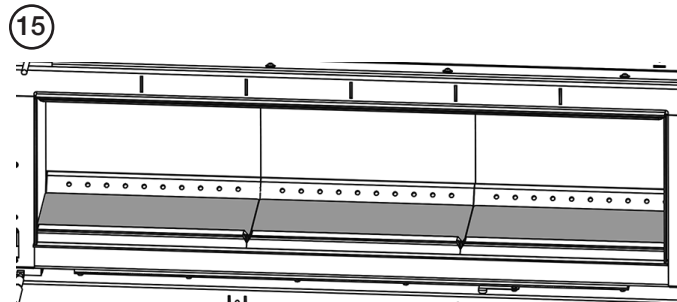
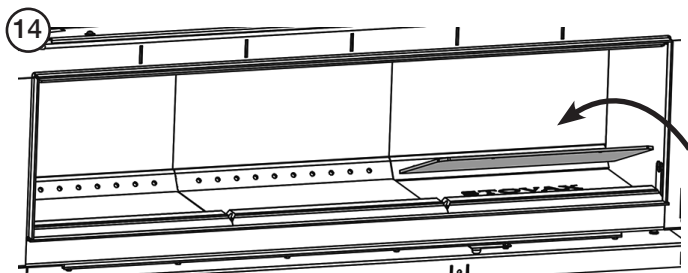
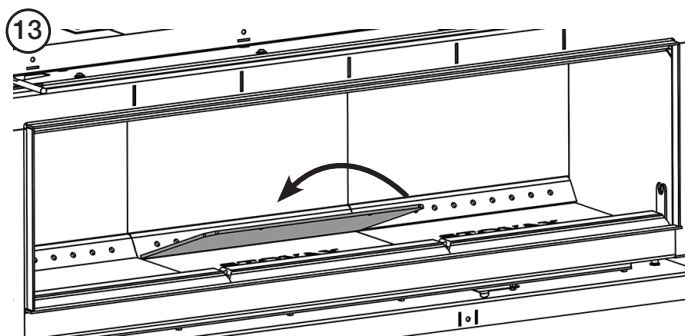
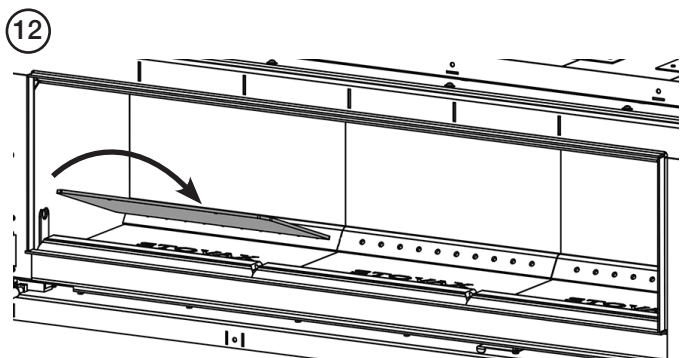
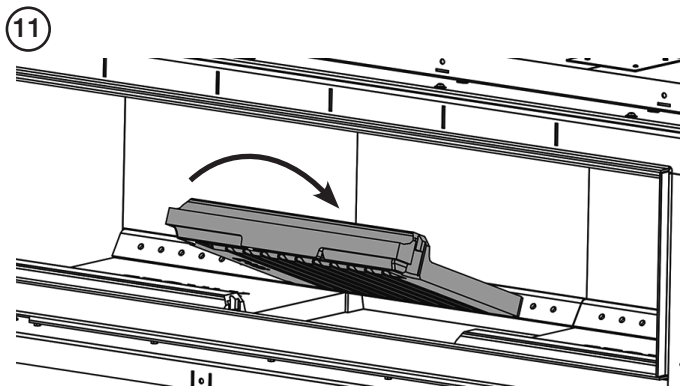
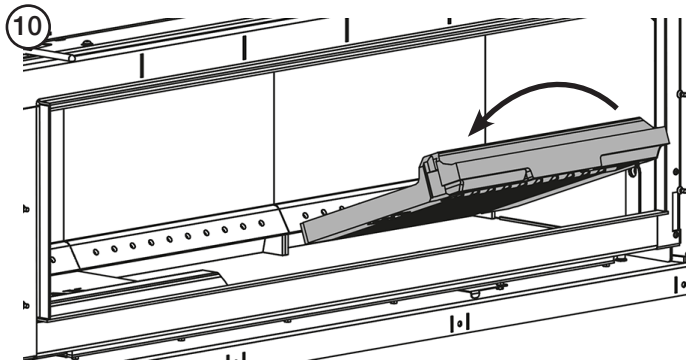
Once the inner box has been installed the internal components can be fitted.

UPPER METAL BAFFLE

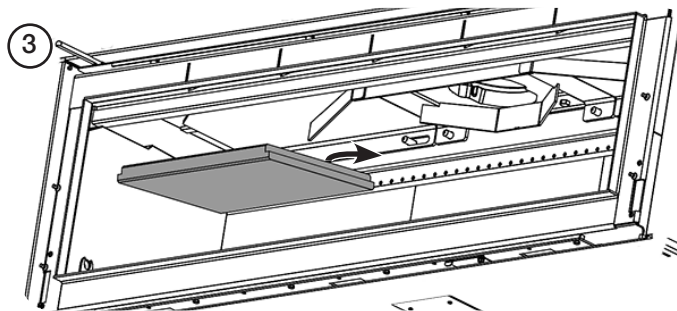
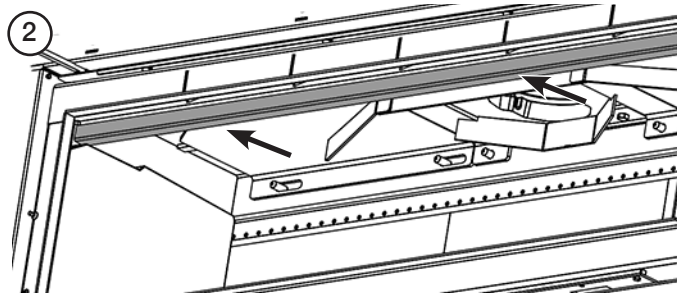
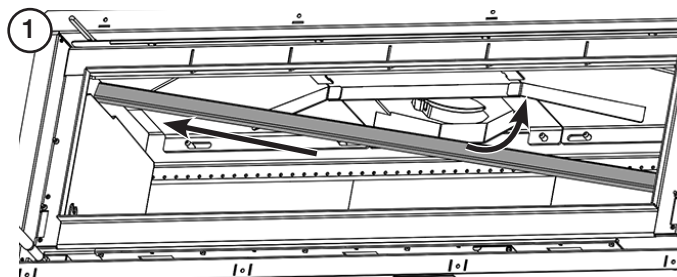
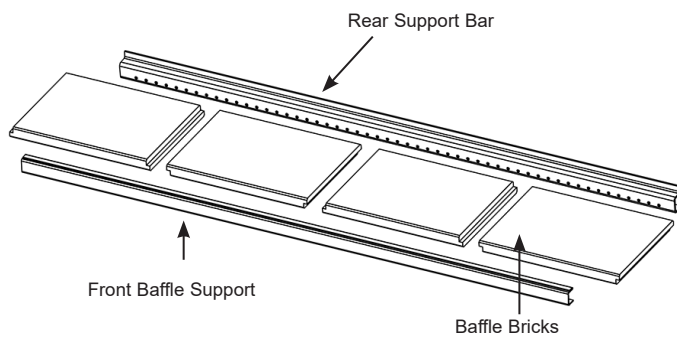


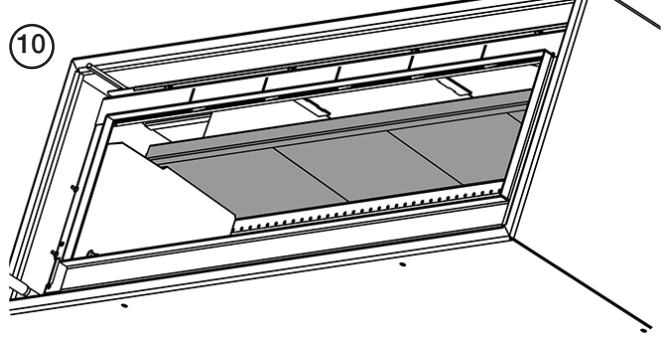
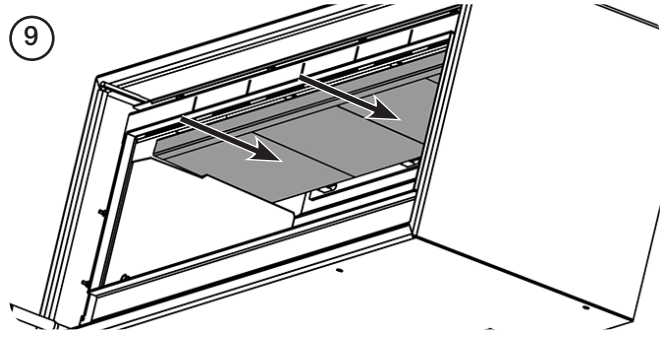
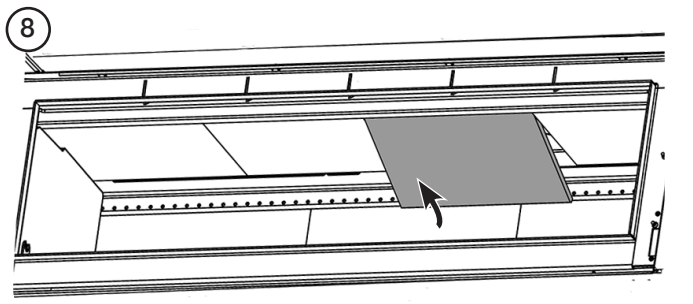
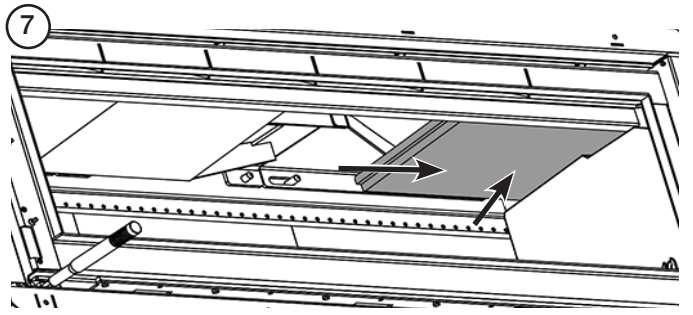
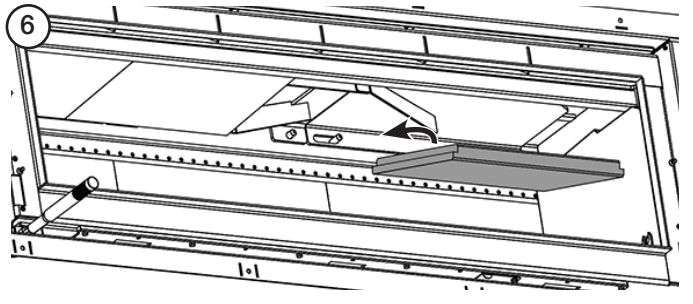
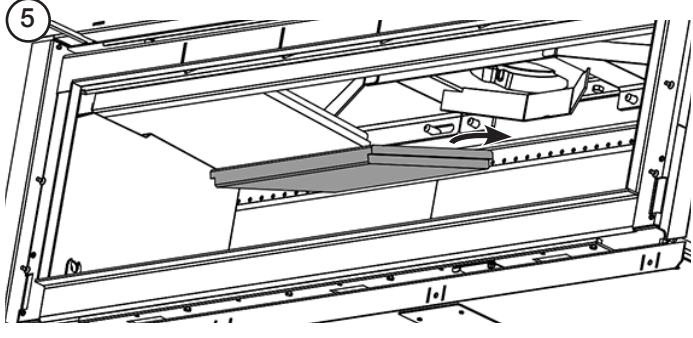
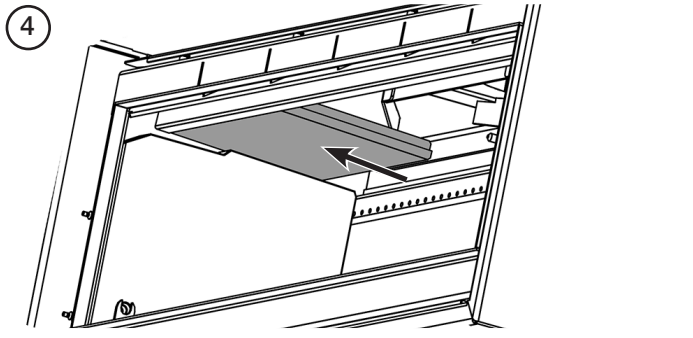
FIREBRICKS



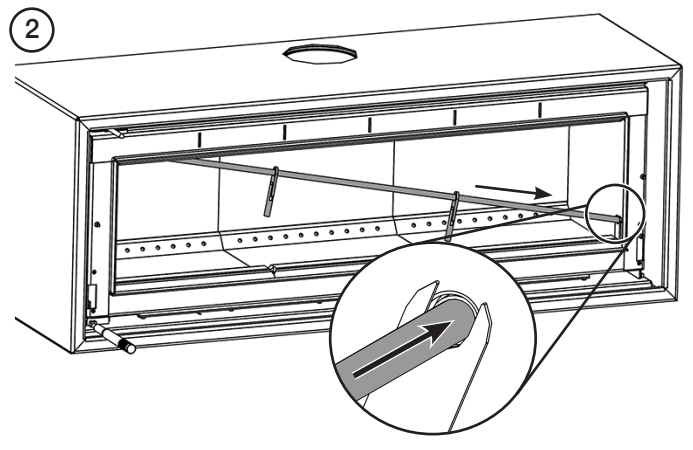
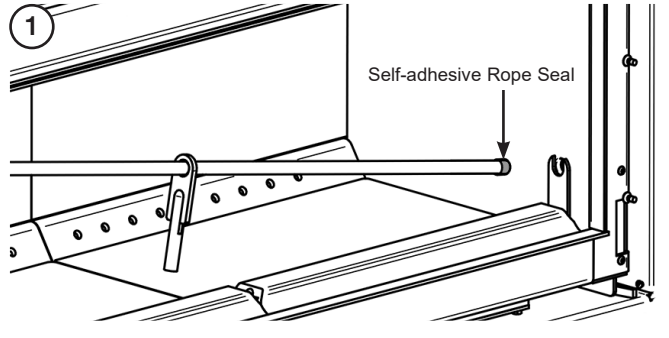


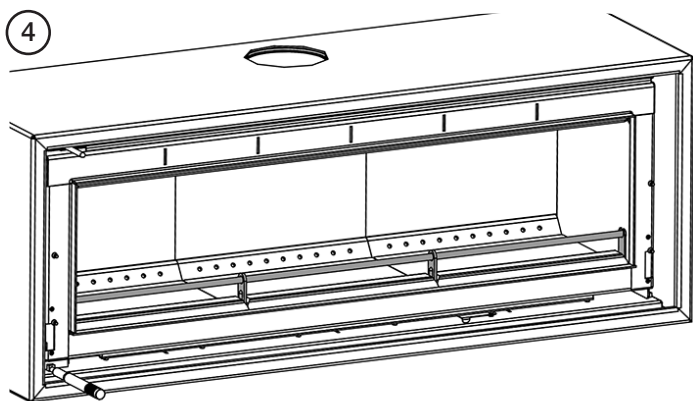
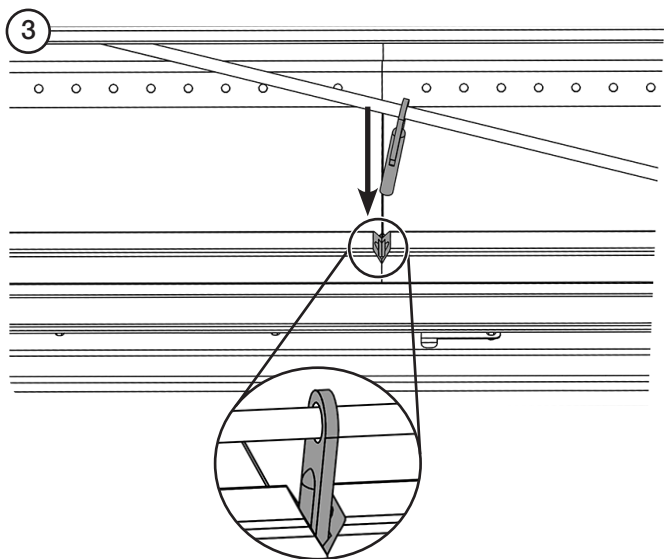
LOWER BAFFLE BRICKS





LOG GUARDS

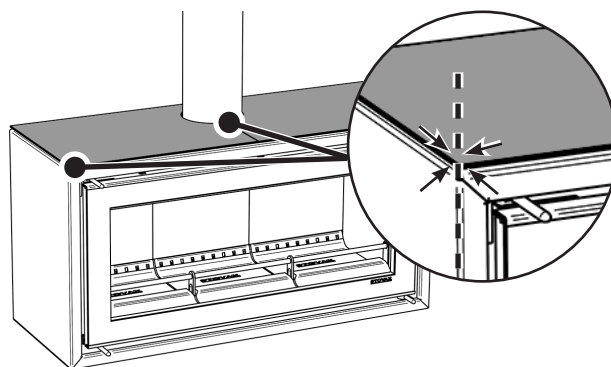
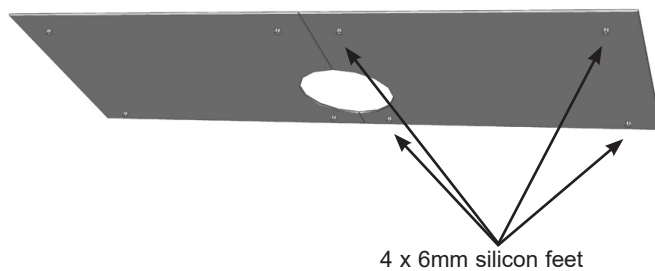




GLASS TOP PLATES

This appliance can be fitted with optional glass top plates.

PRODUCT CODE	LEFT SIDE	RIGHT SIDE
RFVS-3GB	RVFS-MEC9364	RVFS-MEC9365



COMMISSIONING

To commission:

- Ensure all internal components (log guard, baffle(s), bricks) are correctly fitted.
- Check the door alignment and catch operation, adjust if required (see Maintenance and Servicing Instructions).
- Check the soundness of door seals, castings and flue connections.
- Check the operation of the air control.

Now carry out a final smoke draw test:

- First warm the flue with a blowlamp, or similar, for about 10 minutes.
- Place a smoke pellet on the centre of the base bricks, with the air controls open.
- Close the door. Smoke should now be drawn up the flue and be seen to exit from the flue terminal.
- Complete test with all doors and windows closed in the room where the appliance is fitted.
- If there are any extractor fans in adjacent rooms, the test must be repeated with the fans running on maximum and interconnecting doors open.
- Check the effect of ceiling fans during the test.

If the test fails, re-check the suitability of the flue system and ventilation. **An inadequate air supply to the room is potentially dangerous.**

- Light the appliance and slowly increase the temperature to normal operating levels.
- Ensure no combustion products enter the room.
- Open the main fire door when the appliance reaches normal operating levels and carry out a spillage test with a smoke match or pellet around the door opening.

If excessive spillage occurs:

- Allow the appliance to cool and re-check the flue system and ventilation, see troubleshooting guide pages in User Instructions

Finally:

- **Explain the safe operation of the appliance and the use of the controls to the user and the importance of only using suitable fuels.**
- **Explain the cleaning and routine maintenance requirements.**
- **Explain the requirement to use a suitable fireguard when children, elderly or infirm persons are near the appliance.**

IMPORTANT

- **Record dealer/supplier details and installer details on page 3 of this manual.**
- **Record serial number in page 3 of this manual.** This number is required when ordering spare parts and making warranty claims.
- **Give this instruction manual to the customer.**

All open flued appliances can be affected by temporary atmospheric conditions which may allow fumes to enter the house. It is recommended that whenever a new or replacement fixed solid fuel or wood/biomass appliance is installed in a dwelling a carbon monoxide alarm be fitted in the same room as the appliance.

Provision of an alarm must not be considered a substitute for either installing the appliance correctly or ensuring regular servicing and maintenance of the appliance and chimney system.



These steps MUST be completed in order to qualify for the full dealer warranty.

Failing to complete the commissioning checklist on page 3 will mean the warranty will only be valid for 12 months from the date of purchase.

SERVICING

For a complete list of spare parts and accessories contact your Stovax Retailer or visit www.stovaxspares.co.uk

Before the start of the heating season strip, inspect and clean the appliance as detailed:

- Allow appliance to cool.
- Remove all internal parts: baffle, log guard, cast bases and firebricks.
Take care handling firebricks as they can become fragile after a period of use.
- Sweep the appliance at this point if necessary.
- Vacuum clean any remaining ash and debris from the inside of the appliance. Stovax offer a filter/collection attachment for vacuum cleaners to protect them from fire ash: Ash Clean (Stovax Part No. 2091).
- Check the parts for any damage. Replace any damaged parts using genuine Stovax replacements parts.
- Check and clean the firebricks with a soft brush.
Some surface damage will occur during use. The life of the bricks will depend on the type of fuels burnt and the level of use.
Replace damaged bricks as soon as possible.
- Re-fit cleaned internal parts.
- **Use Stovax Glass Cleaner (Stovax No.4103) which is better formulated for this application.**
Do not use abrasive cleaners to remove tar or soot deposits from the glass.
- Fit new door rope seal.
- Lightly oil the door catch mechanism and hinge pins. Avoid getting oil onto the door seals and glass.
- To refresh painted finishes a touch up spray is available.
Contact your Stovax retailer quoting the serial number found on the appliance data badge.

Use genuine Stovax replacement parts to keep the appliance in safe, efficient working order.

Products to assist in the cleaning and maintenance of your Studio Air are available online at www.stovax.com or from your local Stovax dealer which, along with regular maintenance and use of correct fuels, will keep the appliance in the best possible condition.

For more information about the Stovax Group products please visit our web site at www.stovax.com

Burn at a low temperature for the first day of use after any maintenance. This allows the seals, fixing glues and paint to fully cure.

During this time the appliance may give off some unpleasant odours. Keep the room well ventilated to avoid a build-up of fumes.

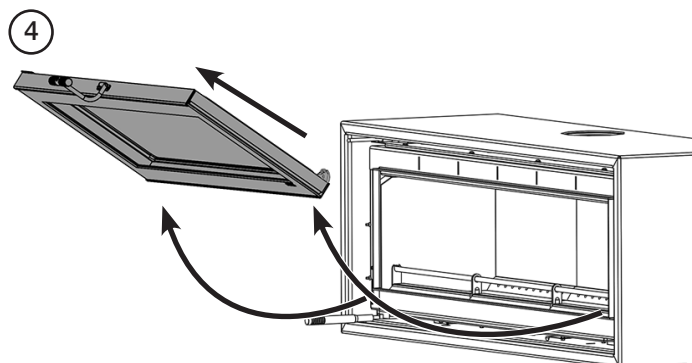
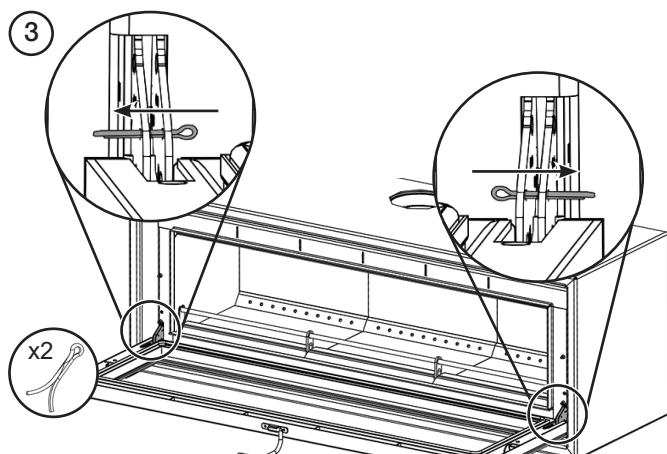
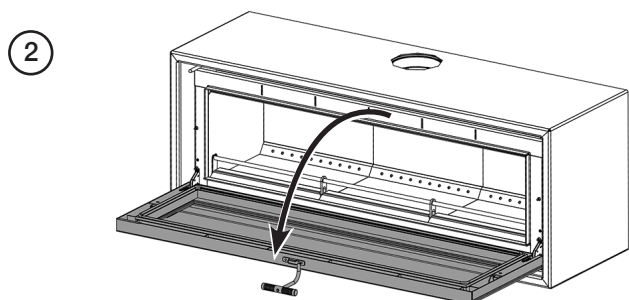
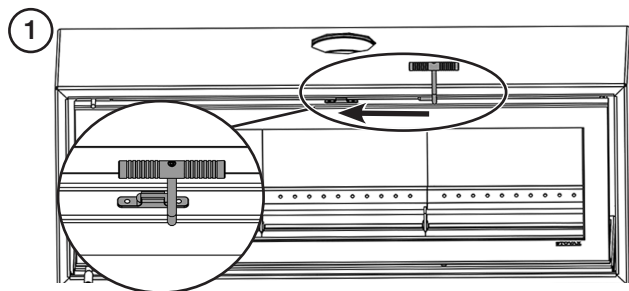
Your Stovax dealer can carry out service and maintenance.

TASK	PRODUCT NAME	NO.
Re-painting	Touch Up Paint (150ml aerosol)	2056

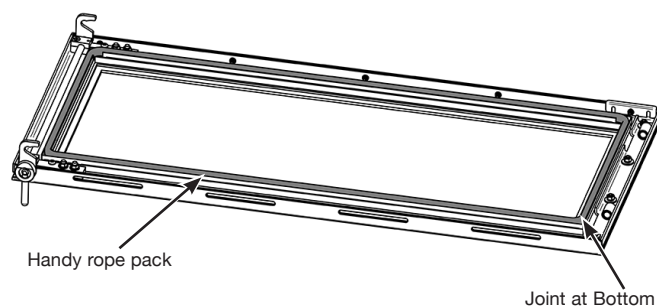
Available online at www.stovax.com or from your local Stovax dealer, along with regular maintenance and use of correct fuels, will keep the appliance in the best possible condition.

i **IMPORTANT: Stovax provide gauntlet style gloves for the users protection from heat and any sharp edges when using the appliance.**
For your safety ensure that gloves are always worn when opening, operating, refuelling or handling internal metalwork.

REMOVING THE DOOR



FITTING A NEW DOOR SEAL



To maintain the safe use of your appliance you need to replace damaged or worn door sealing rope. To complete this operation remove the door before starting.

Remove the old rope and scrape old glue from the locating groove. Clean the locating groove with a clean dry cloth to remove all old dust and debris.

Squeeze a generous bead of fresh Stovax Thermic Seal glue into the rope locating groove.

Press the new Stovax rope into the locating groove, placing the joint in the middle of the bottom edge of the door using tape supplied for the ends.

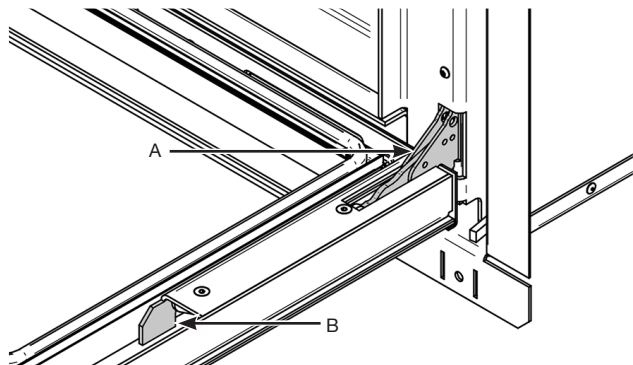
Refit the door and close the door to apply pressure to the new rope.

Leave the appliance closed for at least 12 hours before lighting the appliance and using at a low output for approximately one day.

Using the appliance with a damaged door seal can cause dangerous fumes to enter the room, or the appliance to over fire, resulting in damage.

LUBRICATING DOOR HINGES

If the operation of the door becomes stiff or fails to close properly it may be necessary to apply grease to the door hinge.



Complete lubrication of the hinges as follows:

- Open the door fully.
- Use a small paint brush to add a small amount of high temperature anti-seize grease (Stovax part number - RVS-MEC10275) to points 'A' and 'B'.

Open and close the door a few times to work the grease into the hinge to return it to smooth operation.

DO A PAPER TEST

To do a paper test shut a strip of paper in the door at the edges to test how well the rope seal stops the air from entering the appliance. If the paper can be pulled out easily then the seal is not sufficient and the rope must be replaced.

Repeat this around all the edges of the appliance.

TECHNICAL APPENDIX

LEGAL REQUIREMENTS

Before installation and/or use of this appliance please read these instructions carefully to ensure that all requirements are fully understood.

The appliance must be fitted by a registered installer*, or approved by your local building control officer.

It is very important to understand the requirements of the national Building Regulations and standards, along with any local regulations and working practices that may apply. Should any conflict occur between these instructions and these regulations then the regulations must apply.

Your local Building Control Office can advise regarding the requirements of the regulations.

Works must be carried out with care to meet the requirements of Health and Safety and comply with the Health and Safety rules, and any new regulations introduced during the lifetime of these instructions. Particular attention should be drawn to:

—**Handling:** The appliance is heavy. Adequate facilities must be available for loading, unloading and on site handling.

—**Fire Cement:** Some fire cement is caustic and must not come into contact with the skin. Protective gloves must be worn. Wash hands thoroughly with plenty of water after contact with skin.

—**Asbestos:** This appliance contains no asbestos. If there is the possibility of disturbing any asbestos in the course of installation seek specialist guidance and use appropriate equipment.

—**Metal Parts:** Take care when installing or servicing the stove to avoid personal injury.

A faulty installation can cause danger to the inhabitants and structure of the building.

For users of this appliance:
Your building insurance company may require you to inform them that a new heating appliance has been installed on your property. Check that your cover is still valid after installing the appliance.

i *Installation is to be completed by a certified Solid Fuel Appliance Installation Technician (SFAIT) as required by the New Zealand Home Heating Association (NZHHA) conforming to AS/NZ 2918:LATEST EDITION.

MINIMUM DIMENSIONS - FLOOR PROTECTOR

Also see Page 7 for dimensions.

The appliance must stand on a non-combustible constructional floor protector which is at least 40mm thick with the minimum dimensions as shown in the diagram.

A non combustable constructional floor protector which is at least 40mm thick and positioned as shown on Page 7. Any elevated or cantilevered floor protector must extend the minimum of 870mm from the door opening and a minimum of 200mm each side of the fireplace opening.

The building must have a suitable load-bearing capacity for the floor protector and appliance. Consult a structural technician for advice before proceeding.

When fitting into an existing floor protector check that the floor protector complies with current construction regulations and is at least the minimum sizes shown.

FLUES AND CHIMNEYS

WARNING: THE APPLIANCE AND FLUE-SYSTEM SHALL BE INSTALLED IN ACCORDANCE WITH AS/NZS 2918 AND THE APPROPRIATE REQUIREMENTS OF THE RELEVANT BUILDING CODE OR CODES.

CAUTION: MIXING OF APPLIANCE OR FLUE-SYSTEM COMPONENTS FROM DIFFERENT SOURCES OR MODIFYING THE DIMENSIONAL SPECIFICATION OF COMPONENTS MAY RESULT IN HAZARDOUS CONDITIONS. WHERE SUCH ACTION IS CONSIDERED, THE MANUFACTURER SHOULD BE CONSULTED IN THE FIRST INSTANCE.

The flue or chimney system must be in good condition. It must be inspected by a competent person and passed for use with the appliance before installation.

Products of combustion entering the room can cause serious health risks.

The following must be adhered to:

AS/NZ 2918:LATEST EDITION:4.9.1

a) The flue pipe shall extend not less than 4.6m above the top floor protector.

b) The minimum height of the flue system within 3m distance from the highest point of the roof shall be 600mm above that point.

c) The minimum height of a flue system further than 3m from the highest point of the roof shall be "a minimum" 1000mm above roof penetration.

d) No part of any building lies in or above a circular area described by a horizontal radius of 3m about the flue system exit.

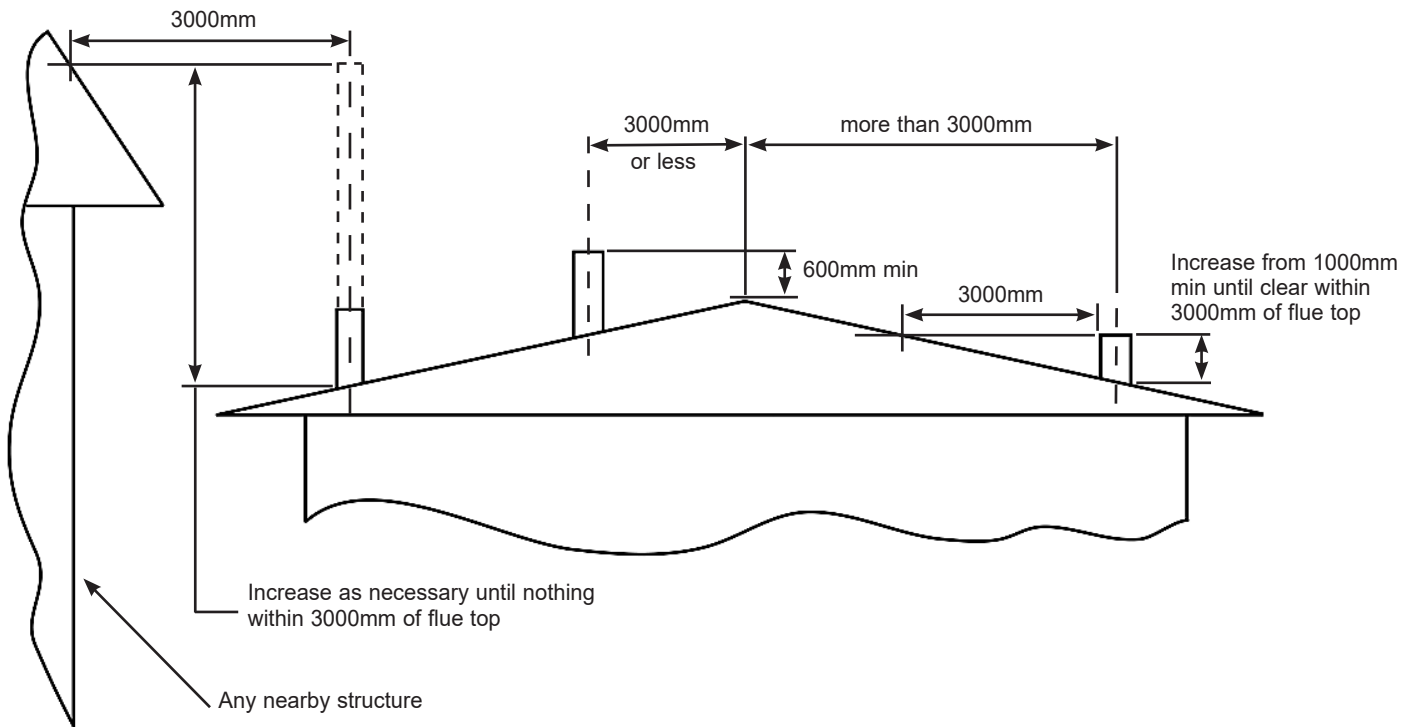
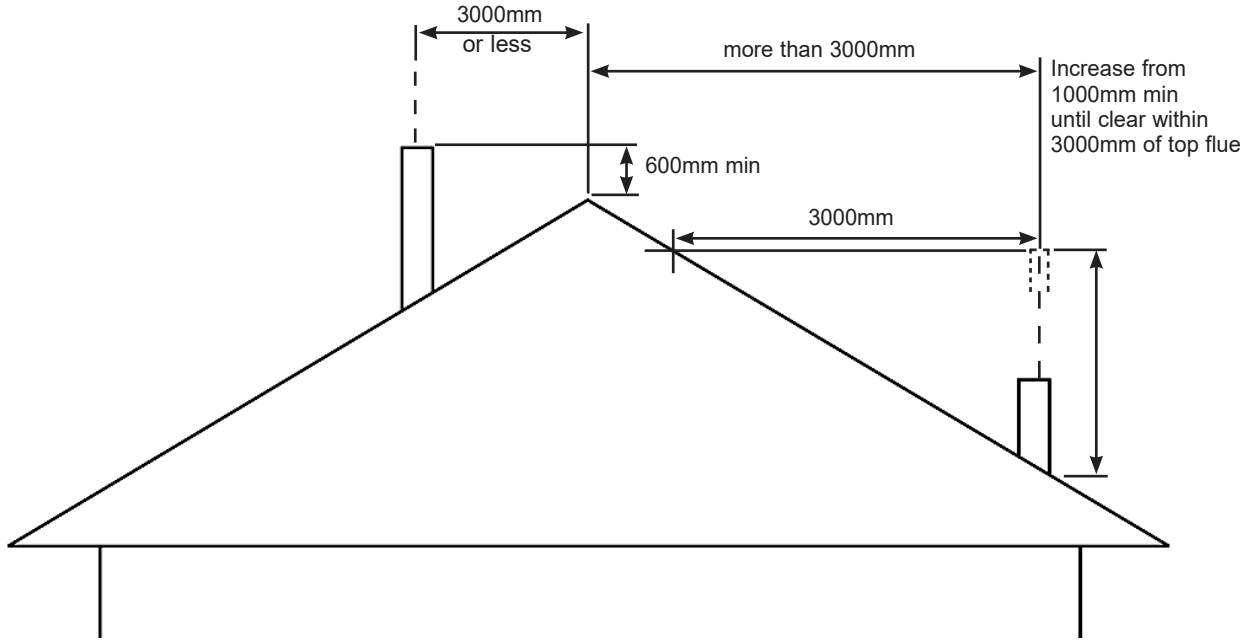
i **A HANDY RULE OF THUMB :**
Terminate all flues a minimum of 600mm above the highest ridgeline of the donor building.

N.B. in extreme wind areas it may be necessary to consult your local agent for further technical assistance.

— If flue is concealed in a chase, allow for air vents (2 x 80mm diam. or equivalent) at the highest possible point on the chimney chase or alternatively, allow a min 25mm air space between the casing cover spigot and the outer casing, see page 28.

FLUE OUTLET POSITIONS

THE FLUE TERMINATION POSITIONS ARE THE MINIMUM REQUIRED AS PER NZS 2918:LATEST EDITION. IT IS POSSIBLE THAT FLUE HEIGHTS MAY NEED TO BE INCREASED AS A RESULT OF CONFLICTING AIR PRESSURE ENVELOPES THAT MAY DEVELOP OVER SOME ROOFLINE SHAPES AND SURROUNDING OBSTRUCTIONS. RESTRICTION INTO CLEAR AIR MOVEMENT OVER ANY ROOF MAY ALSO REQUIRE DIFFERENT COWL DESIGNS, PARTICULARLY FOR HIGH WIND ZONES OR VARYING LOCAL ENVIRONMENT CONDITIONS.

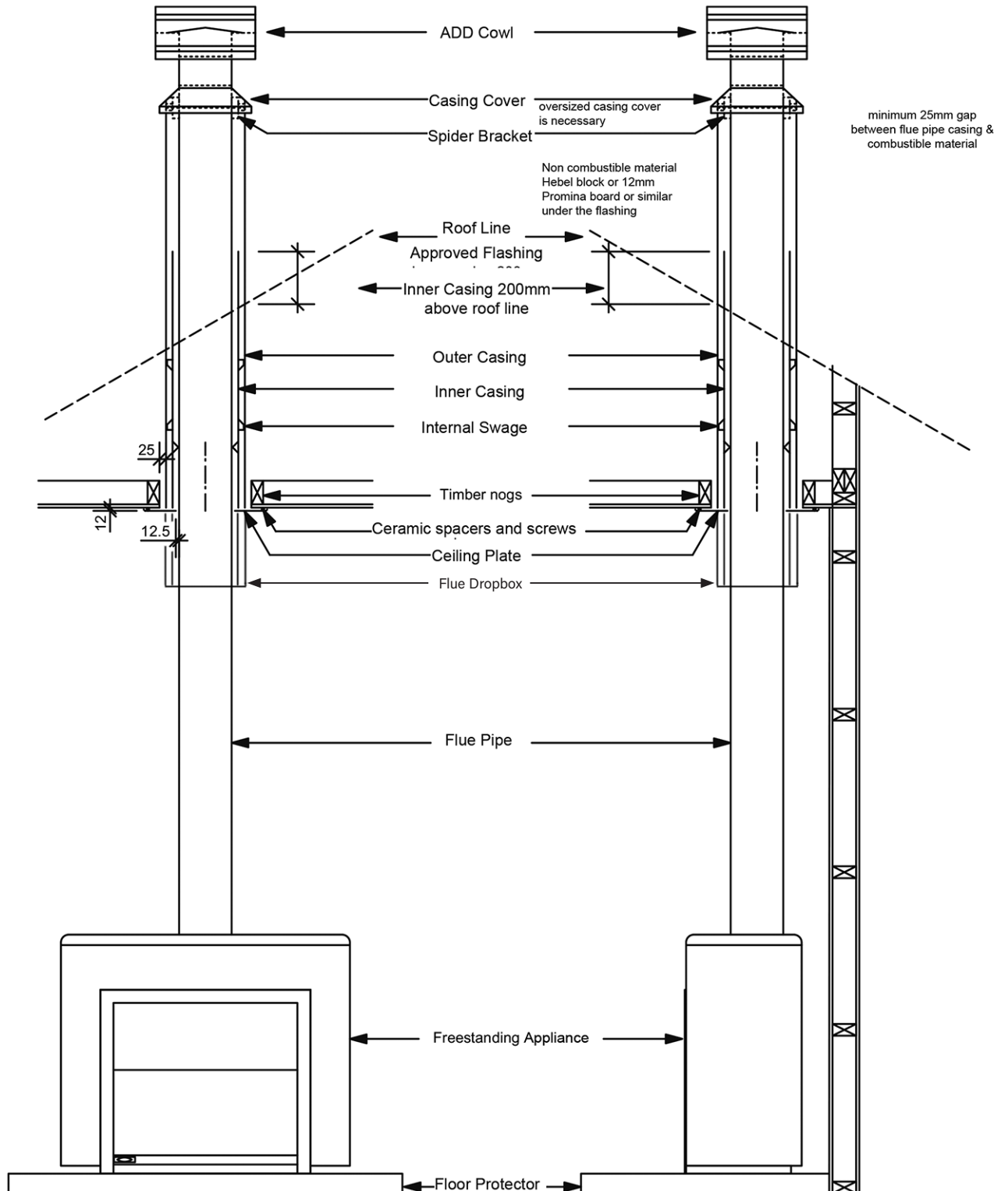


i **A HANDY RULE OF THUMB :**
 Terminate all flues a minimum of 600mm above the highest ridgeline of the donor building.

FLUE PENETRATION - WOOD

Tested flue systems, as per AS/NZS 2918:LATEST EDITION

Drawing not to scale



FLUE PENETRATION - WOOD

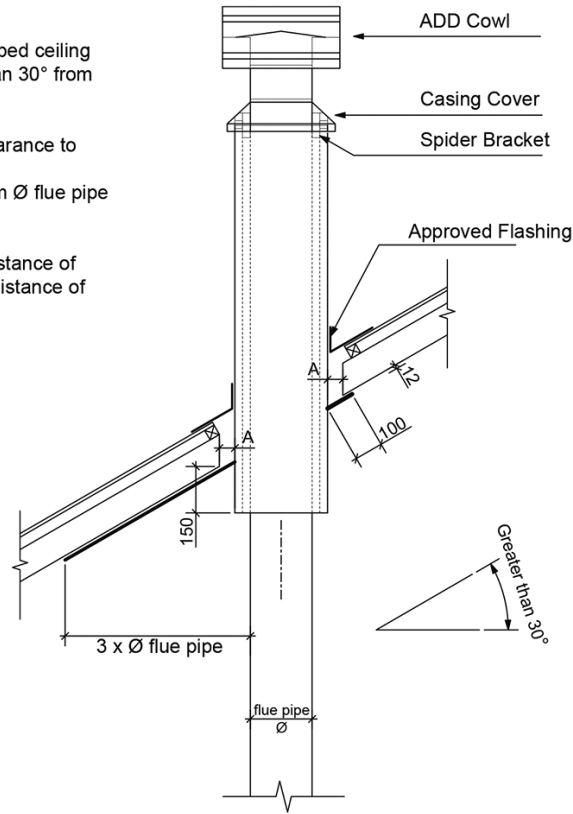
Untested flue systems, as per AS/NZS 2918:LATEST EDITION, 4.6.3(b)

AS/NZS2918:2001

Un-tested flue with sloped ceiling penetration greater than 30° from horizontal

4.5.1.2(b) = 50mm clearance to combustible material
A = 62.5mm for 225mm Ø flue pipe

4.6.3(b)
Fig 4.6 = downward distance of casing and 3 x Ø flue distance of the ceiling plate

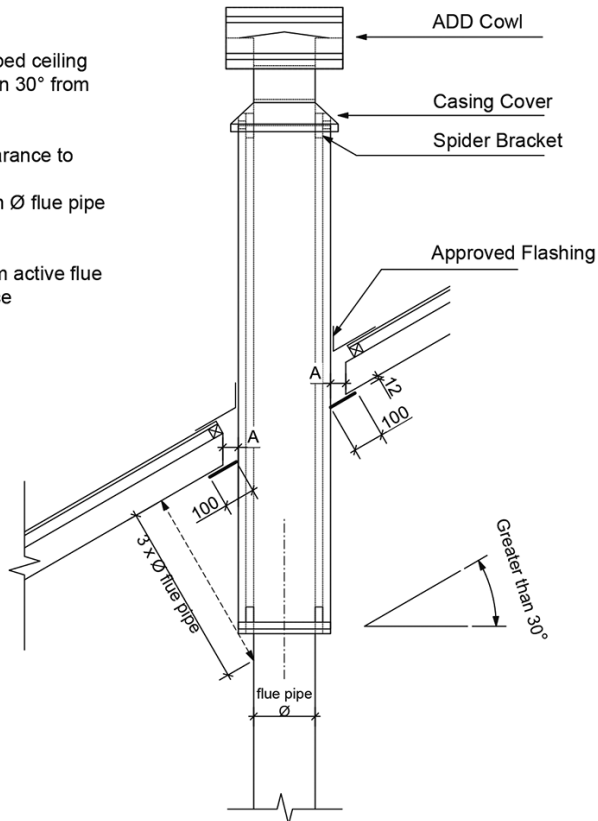


AS/NZS2918:2001

Un-tested flue with sloped ceiling penetration greater than 30° from horizontal

4.5.1.2(b) = 50mm clearance to combustible material
A = 62.5mm for 225mm Ø flue pipe

4.6.3(b)
Fig 4.6 = 3 x Ø flue from active flue to heat sensitive surface

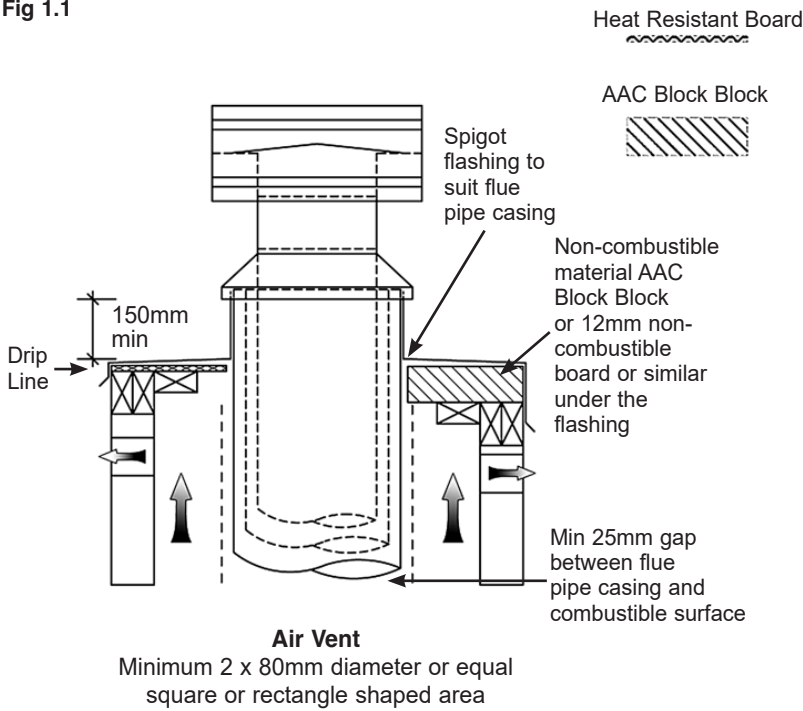


External Requirements

Refer to AS/NZ 2918: LATEST EDITION; 4.9.1

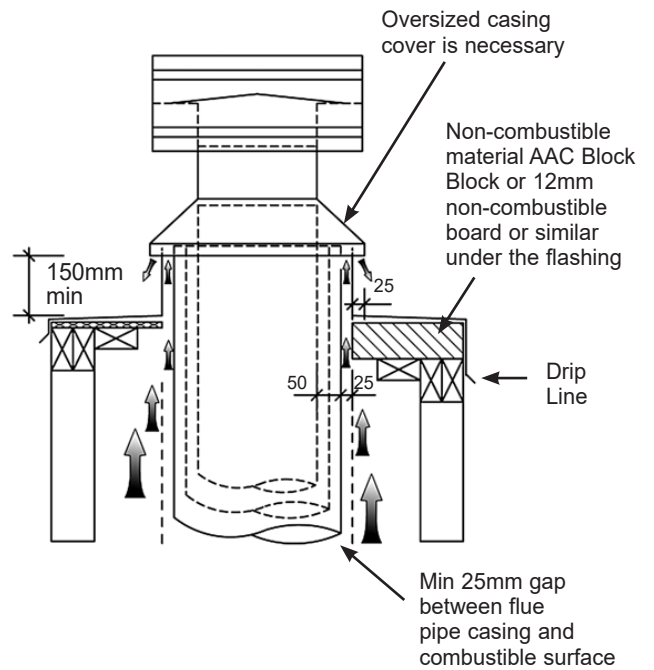
Air Ventilation Through Chimney Chase

Fig 1.1



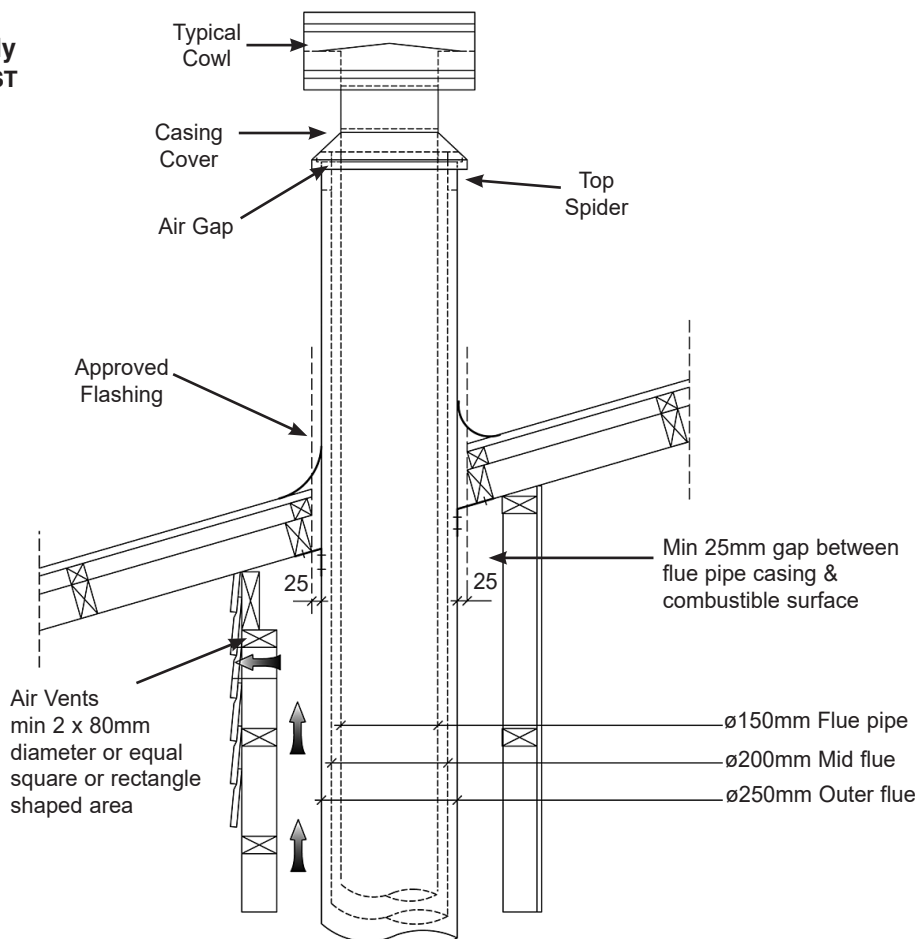
Air Ventilation Through Top Flashing

Fig 1.2



The flue system and its installation must comply with AS/NZS2918:LATEST EDITION

Fig 1.3



Note: All external air vents & ceiling penetrations must be bird & rodent proofed with permanently fixed screens.

AIR VENTILATION

i Allowances **MUST** be made for air replacement vents to be located near the fireplace to aid combustion. A minimum of one pair of air vents is recommended or one large vent. Allowance is to be made for a minimum of 2 inlet ducts from outside to internal vent location. **Note: DO NOT USE FIREPLACE CAVITY VENTILATION AS A METHOD OF AIR REPLACEMENT.**

Increase air supply provisions where a room contains multiple appliances. Internal air pressure balance can be critical.

If vents open into adjoining rooms or spaces there must be an air vent of at least the same size direct to the outside.

For REPLACEMENT AIR site the vents where cold draughts is unlikely to cause discomfort. This can be avoided by placing the vents near or close to the appliance and located as close to floor level as possible.

Additional ventilation is required. This must be provided using a permanently open air vent, of the size listed, which is positioned so that it is not liable to be blocked both inside and outside the building.

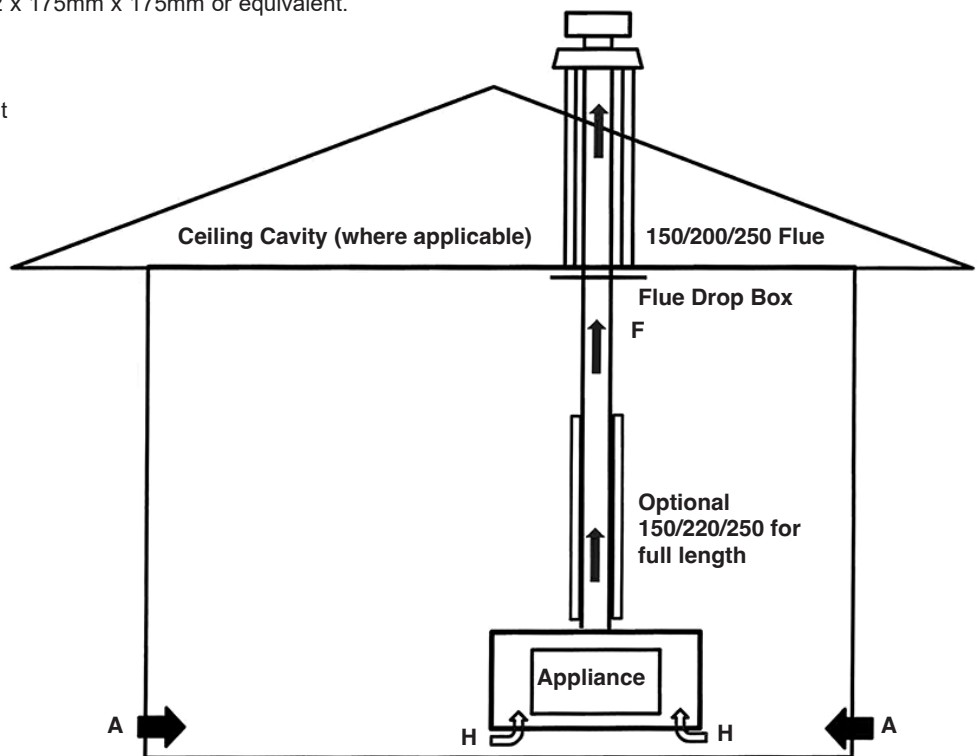
Minimum recommended air replacement is 2 x 175mm x 175mm or equivalent.

Key

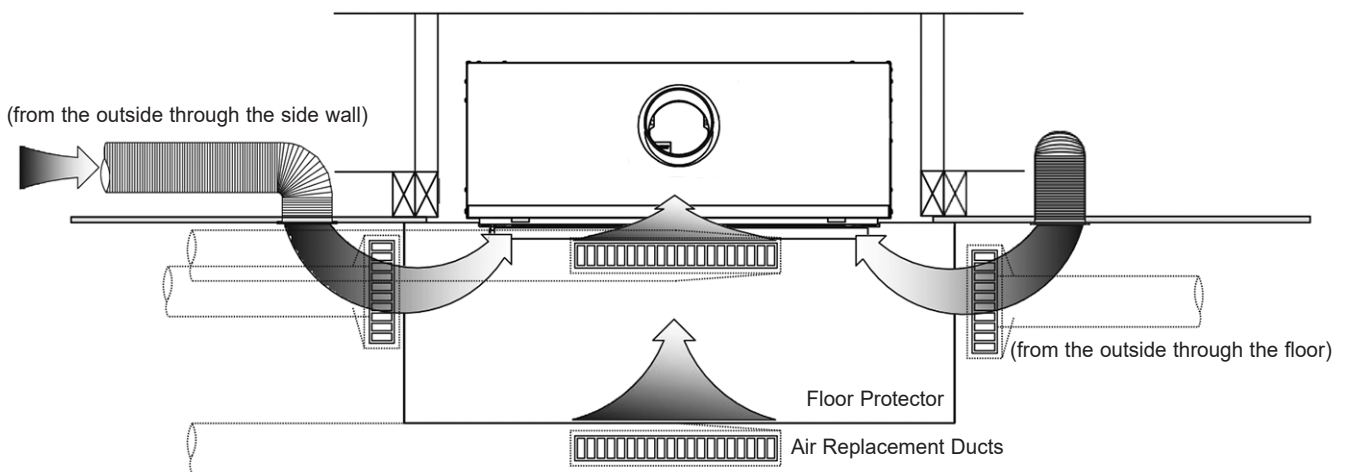
A = Inlet air ducts from outside (Replacement air for combustion - 2 x 175mm x 175mm). Should be positioned as close as possible to the fire.

F = Flue termination cowl

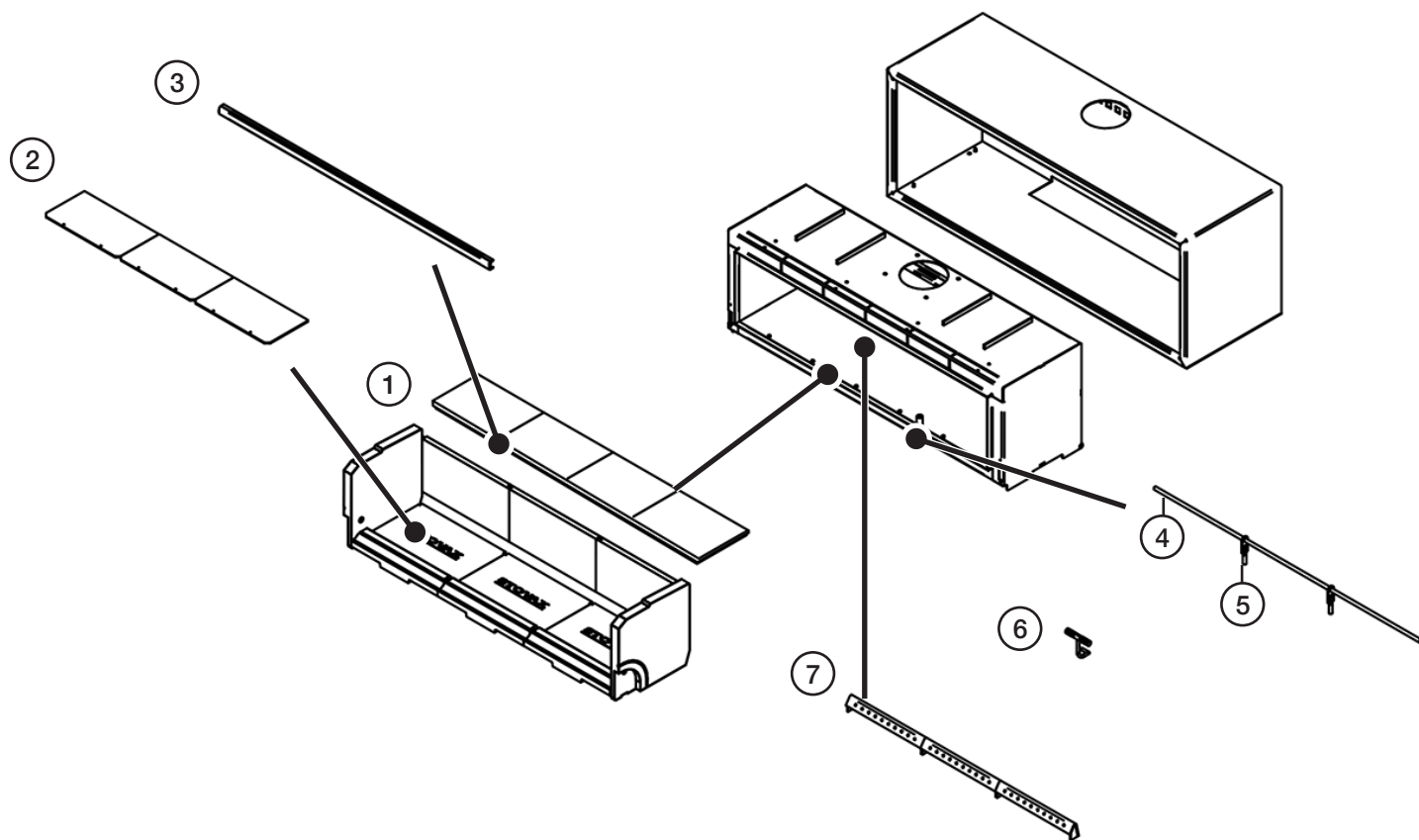
H = **Combustion air** to fire drawn from the room air



Example of different vent locations.

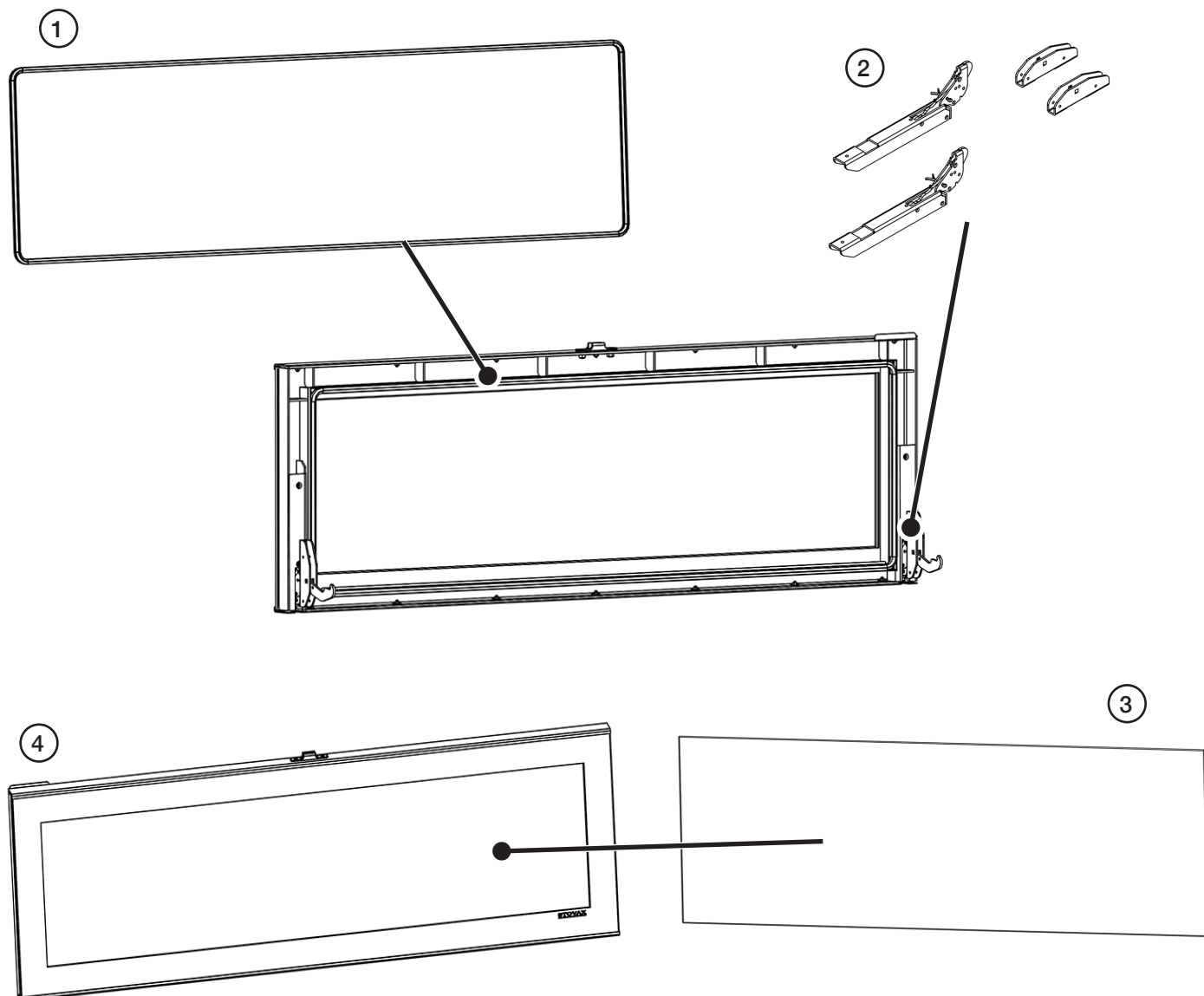


SPARE PARTS



REF.	DESCRIPTION	CODE
1	Brick & Baffle Assembly	RVS-MEC11573
2	Base Brick Protectors	MEC11330
3	Baffle Brick Support	RVS-RA503531
4	Log Bar	RVS-ME601402
5	Log Bar Support	RVS-MEC8500
6	Handle	RVS-MEC9161
7	Steel Brick Set	RVS- MEC10590

SPARE PARTS - DOOR ASSEMBLY



REF.	COMPONENT	CODE
1	RopeSeal	5704
2	Hinge Assembly	RVS- MEC9446
3	Door Glass	CE7499
4	Complete Door Assembly	RVS- MEC8300

SERVICE RECORDS

1ST SERVICE

Date of Service:.....
 Next Service Due:.....
 Signed:.....
 Dealer's Stamp/SFAIT Registration Number/ AHHA
 License Number

3RD SERVICE

Date of Service:.....
 Next Service Due:.....
 Signed:.....
 Dealer's Stamp/SFAIT Registration Number/ AHHA
 License Number

5TH SERVICE

Date of Service:.....
 Next Service Due:.....
 Signed:.....
 Dealer's Stamp/SFAIT Registration Number/ AHHA
 License Number

7TH SERVICE

Date of Service:.....
 Next Service Due:.....
 Signed:.....
 Dealer's Stamp/SFAIT Registration Number/ AHHA
 License Number

9TH SERVICE

Date of Service:.....
 Next Service Due:.....
 Signed:.....
 Dealer's Stamp/SFAIT Registration Number/ AHHA
 License Number

2ND SERVICE

Date of Service:.....
 Next Service Due:.....
 Signed:.....
 Dealer's Stamp/SFAIT Registration Number/ AHHA
 License Number

4TH SERVICE

Date of Service:.....
 Next Service Due:.....
 Signed:.....
 Dealer's Stamp/SFAIT Registration Number/ AHHA
 License Number

6TH SERVICE

Date of Service:.....
 Next Service Due:.....
 Signed:.....
 Dealer's Stamp/SFAIT Registration Number/ AHHA
 License Number

8TH SERVICE

Date of Service:.....
 Next Service Due:.....
 Signed:.....
 Dealer's Stamp/SFAIT Registration Number/ AHHA
 License Number

10TH SERVICE

Date of Service:.....
 Next Service Due:.....
 Signed:.....
 Dealer's Stamp/SFAIT Registration Number/ AHHA
 License Number



Head Office & Showroom
12 Tawari Street
Mt Eden, Auckland, New Zealand
+649 623 6990
thefireplace.co.nz

Manufactured by

Stovax Limited, Spitfire Avenue, Skypark, Clyst Honiton, Exeter, Devon, England EX5 2FR
Tel: (01392) 474011 Fax: (01392) 219932 E-mail: info@stovax.com
www.stovax.com E & O E

A member of the Stovax Group
Adapted from Issue 5 of PM1637



PM2033