



STUDIO air



Instructions for Installation & Servicing

For use in NZ (New Zealand)

IMPORTANT

THE OUTER CASING, FRONT AND GLASS PANEL BECOME EXTREMELY HOT DURING OPERATION AND WILL RESULT IN SERIOUS INJURY AND BURNS IF TOUCHED. IT IS THEREFORE RECOMMENDED THAT AN APPROVED FIREGUARD IS USED IN THE PRESENCE OF YOUNG CHILDREN, THE ELDERLY OR INFIRM.

CAUTION: THIS APPLIANCE SHOULD BE MAINTAINED AND OPERATED AT ALL TIMES IN ACCORDANCE WITH THESE INSTRUCTIONS.

Keep them in a safe place for future reference and when servicing the fire.

All installations must be carried out by an S.F.A.I.T (Solid Fuel Authorised Technician).

In New Zealand, the Studio must be bolted to the base to comply with the seismic restraint provisions of AS/NZ 2918:2001

CONTENTS

Studio 2 Air (NZ) - Inset Convector

Covering the following models:

STUDIO 2 AIR	326-031
--------------	---------

Appliance Commissioning Sheet.....	3
Appliance Description.....	4
Parts Identifier	5
Dimensions.....	6
Clearance Distance	7
Cavity Construction	9
Pre-Installation.....	11
Installing the Appliance.....	14
Fitting the Flue System	16
Fitting The Warm Air Duct	17
Installation instructions	18
Commissioning.....	26
Maintenance & Servicing.....	27
Technical Appendix.....	30
Spare Parts List.....	36
Service Records.....	38



DESIGN PROTECTION

The Studio design, including its frames and accessories, are protected by European Design Registration No. 001169338 0002 0008.

WARRANTY

For purchases outside of the United Kingdom, Republic of Ireland, France, Belgium and the Netherlands, please consult your Stovax retailer for the warranty available in your region. The Fireplace www.thefireplace.co.nz

APPLIANCE COMMISSIONING CHECKLIST

This checklist **MUST** be filled out completely and signed in order to qualify for the full Dealer Warranty. Failing to complete this commissioning checklist will mean the warranty will only be valid for 12 months from the date of purchase.

Dealer appliance was purchased from:

Name:

Address:

Telephone number:

Essential information - MUST be completed:

Date Installed:

Model Description:

Serial Number:

Installation Technician:

Company Name:

AHHA/SFAIT License No

Address:

Telephone number:

Commissioning Checks - to be completed and signed:

Is flue system correct for the appliance:	YES <input type="checkbox"/>	NO <input type="checkbox"/>
Flue swept and soundness test complete*:	YES <input type="checkbox"/>	NO <input type="checkbox"/>
Smoke test completed on installed appliance	YES <input type="checkbox"/>	NO <input type="checkbox"/>
Spillage test completed	YES <input type="checkbox"/>	NO <input type="checkbox"/>
Use of appliance and operation of controls explained	YES <input type="checkbox"/>	NO <input type="checkbox"/>
Clearance to combustible materials checked**	YES <input type="checkbox"/>	NO <input type="checkbox"/>
Instruction book handed to customer	YES <input type="checkbox"/>	NO <input type="checkbox"/>
Smoke Alarm Fitted (Mandatory)	YES <input type="checkbox"/>	NO <input type="checkbox"/>
CO Alarm Fitted (Recommended)	YES <input type="checkbox"/>	NO <input type="checkbox"/>

*If using an existing flue system - not applicable for a new flue assembly

** Record with photographs if possible.

Signature: Print Name:

INSTALLATION CHECKLIST

PLEASE NOTE: This section is intended to give an overview of the product performance and essential information required for installing the appliance.

It is intended for qualified engineers who are already familiar with Stovax products.

For full details and expanded information please see the Technical Appendix at the back of this manual.

ESSENTIAL INFORMATION

GENERAL	Model:			
	STUDIO AIR 2 INBUILT			
	Nominal Heat Output	Wood	kW	8.2
	Efficiency	Wood	%	78.5
	CO @ 13% O ₂	Wood	%	0.08
	Weight		Kg	149
Recommended Fuels	Wood	Seasoned Wood (less than 20% moisture content)		

As tested to the requirements of EN 13229 for intermittent operation

FLUES	Flue/Chimney Size	With Liner of Factory made system (diameter) <small>installed in accordance with manufacturers instructions</small>	mm	150, 200, 250
			inch	6
	Flue/Chimney minimum height	All products	m	4.6
			feet	15
	Flue Draught	Min	Pa	10
		Nominal		12
		Max		20
	Flue Gas Mass Flow	Wood	g/s	6.5
Average Flue Gas Temperature	Wood	°C	304	
Flue Outlet Size (Top Option)		mm	153	
		inch	6	

VENTILATION	Cavity Ventilation - Page 34	∅	100mm x 2
	Room Air Replacement - SUGGESTED MINIMUM (vents x 2) - See page 35	mm	175 x 175

For full technical details on ventilation see Technical Appendix

i *When measured from the top of the appliance to the top of the flue, with no horizontal sections and a maximum of 4 bends with angles of less than 45°. Bends should be installed as high as possible in the flue run and only after the first flue run of 1.2M.
**** DO NOT PLACE ANY OFFSET BENDS DIRECTLY INTO THE FLUE SPIGOT ON THE FIREBOX UNLESS THE DEFLECTION OFF THE VERTICAL IS 10 DEGREES OR LESS. NO BENDS OFF THE TOP OF THE APPLIANCE.**

GENERAL POINTS

WARNING: THE APPLIANCE AND FLUE-SYSTEM SHALL BE INSTALLED IN ACCORDANCE WITH AS/NZS 2918 AND THE APPROPRIATE REQUIREMENTS OF THE RELEVANT BUILDING CODE OR CODES.

CAUTION: MIXING OF APPLIANCE OR FLUE-SYSTEM COMPONENTS FROM DIFFERENT SOURCES OR MODIFYING THE DIMENSIONAL SPECIFICATION OF COMPONENTS MAY RESULT IN HAZARDOUS CONDITIONS. WHERE SUCH ACTION IS CONSIDERED, THE MANUFACTURER SHOULD BE CONSULTED IN THE FIRST INSTANCE.

CAUTION: CRACKED AND BROKEN COMPONENTS MAY RENDER THE INSTALLATION UNSAFE.

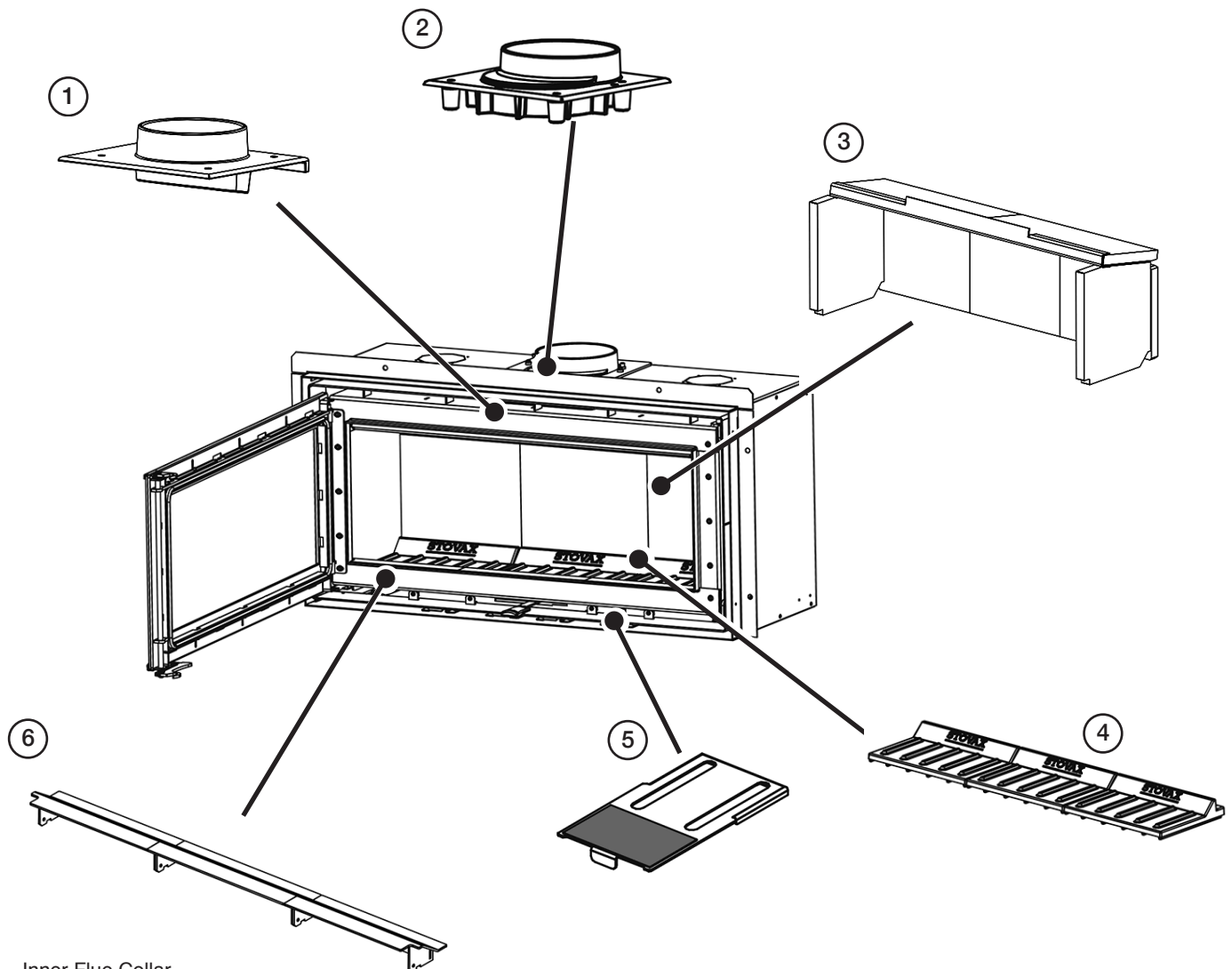
Each installation is unique to the property so it is not possible to give details to suit every setting. The installation must comply with Building Regulations and be made using "best practice" construction methods.

Stovax Studio appliances can reach high temperatures so it is important to maintain the clearance to heat sensitive materials.

Take care when installing the appliance. Careless handling and use of tools can damage the finish and/or area.

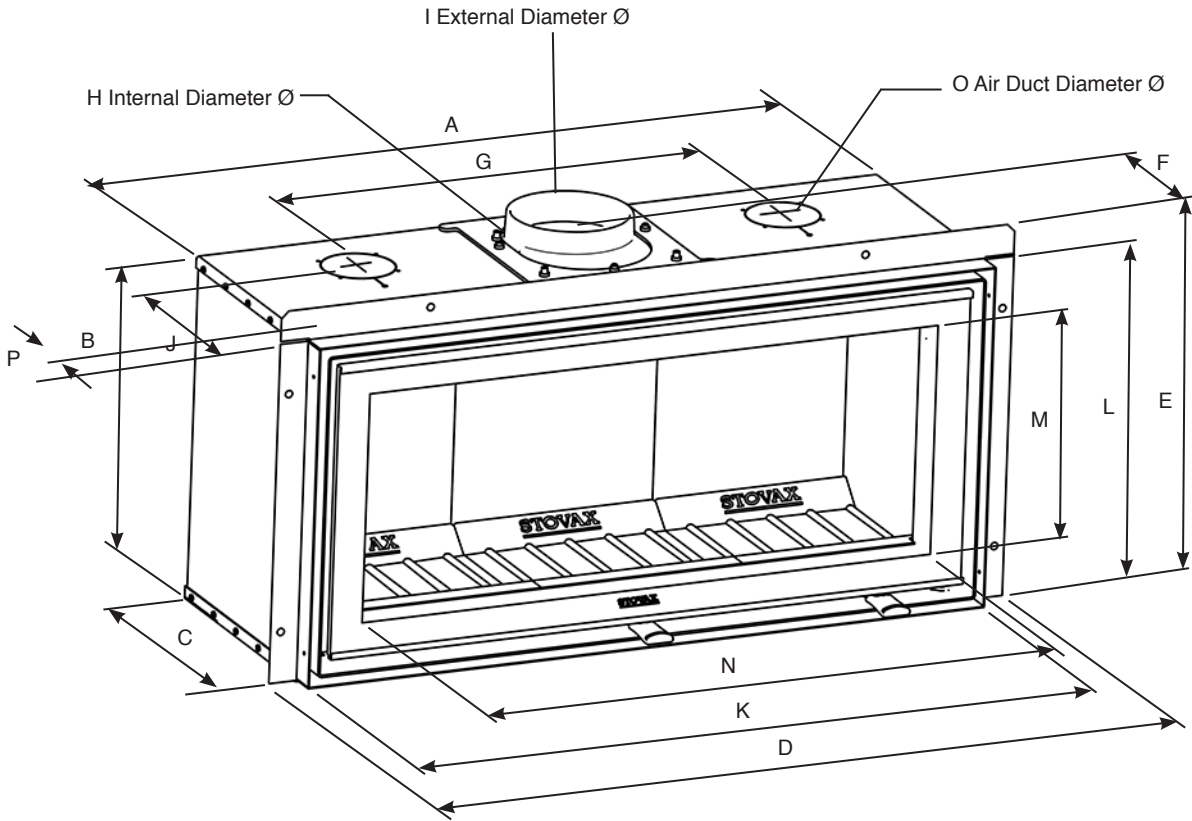
Refer to the diagrams and dimensions on the following pages when building a frame out to house the appliance.

PARTS IDENTIFIER



1. Inner Flue Collar
2. Top Flue Collar
3. Brick Liners and Baffle Set
4. Base Bricks
5. Dataplate
6. Log Guard

DIMENSIONS



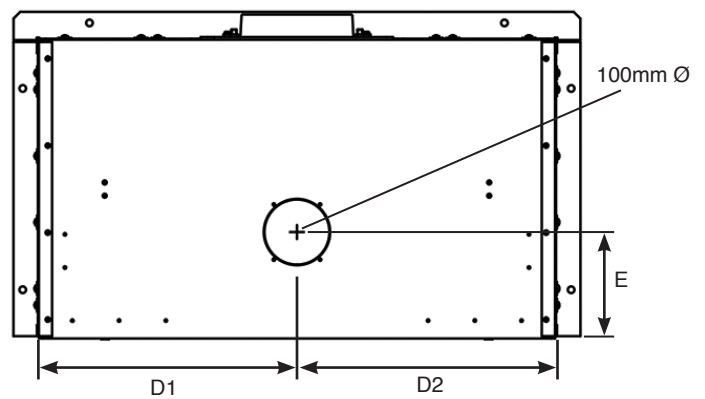
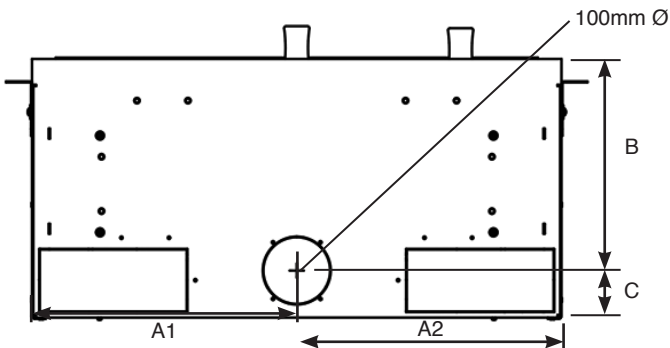
	A	B	C	D	E	F	G	H	I	J	K	L	M	N	O	P
Studio Air 2	983	476	348	1055	518	244	611	152	171	240	979	476	284	790	100	40

All dimensions in mm

EXTERNAL AIR

UNDER SIDE OPTION

REAR OPTION



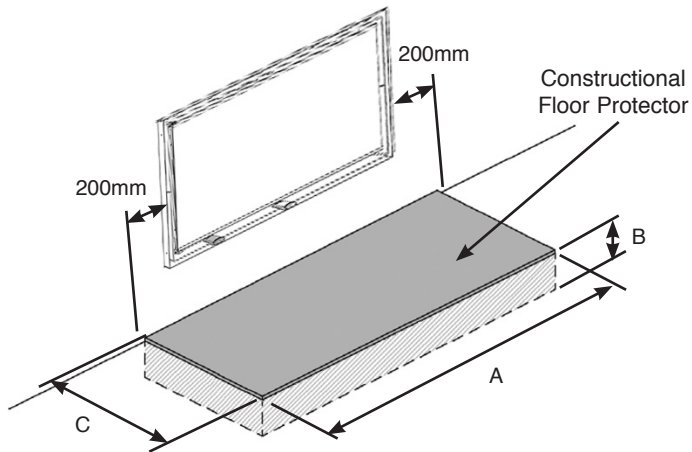
All dimensions in mm

	A1	A2	B	C	D1	D2	E
Studio Air 2	489	489	311	71	489	489	160.5



NOTE: EXTERNAL AIR KIT (326-0802) IS REQUIRED IF USING DIRECT EXTERNAL AIR.

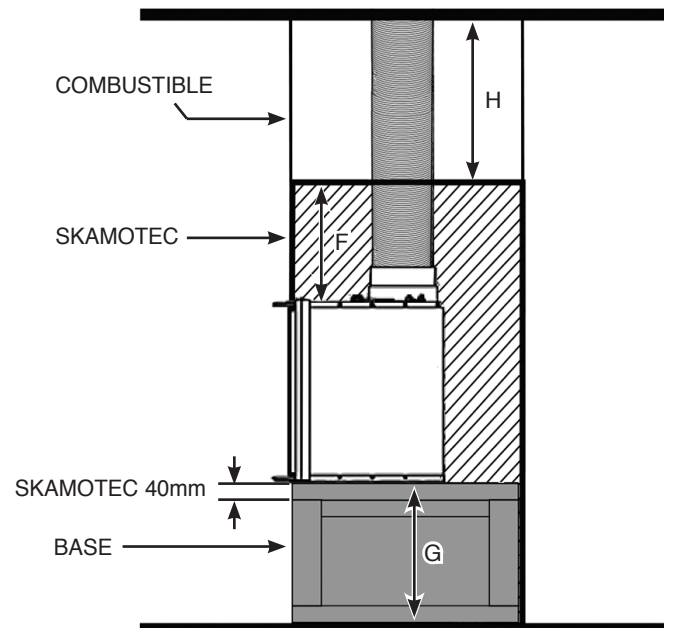
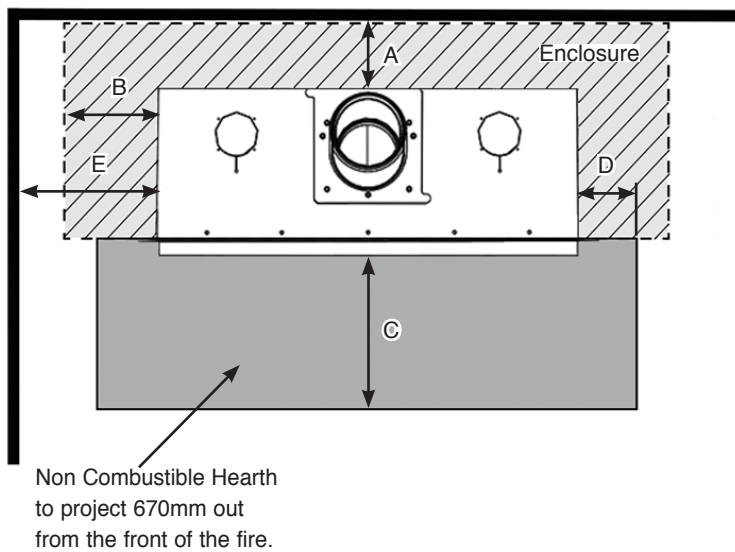
MINIMUM DIMENSIONS - FLOOR PROTECTOR



DIMENSION (MM)	A	B	C
STUDIO AIR 2	1350	20	670

CLEARANCE DISTANCE

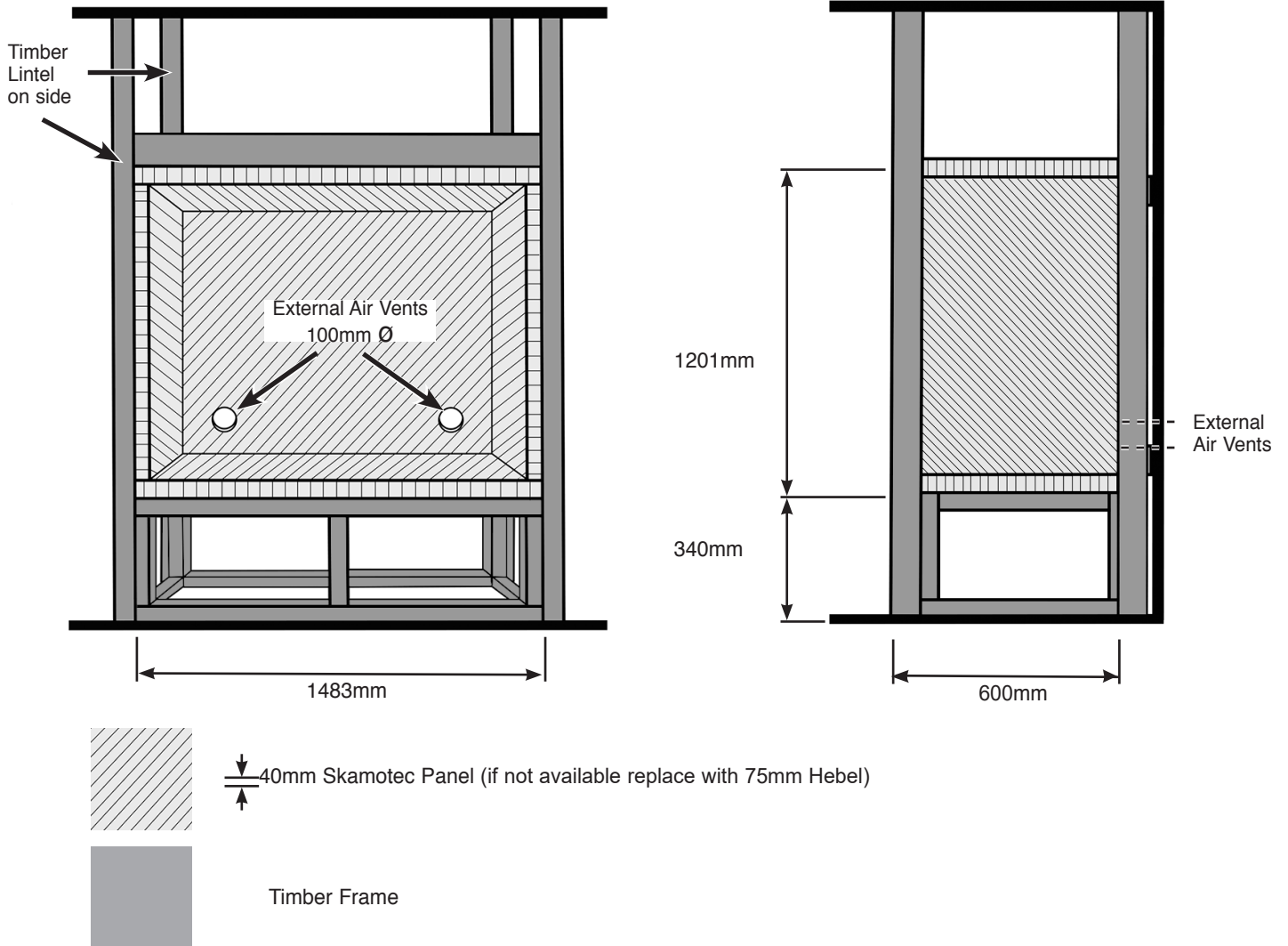
MINIMUM DISTANCE TO COMBUSTIBLE MATERIAL



	A	B	C	D	E	F	G	H
CLEARANCE (MM)	185	250	670	200	520	725	340	860

MINIMUM DIMENSIONS - TYPICAL TIMBER FRAME OUT

Note: Please contact The Fireplace to discuss installations when recessing the appliance, installing mantels and TV's or paintings above the appliance.



CAVITY CONSTRUCTION

FRAME-OUT EXAMPLE

The following standard frame out details are typical of those required for installing these fires into the following situation:

Internal Timber framed chimney chase on an external wall.

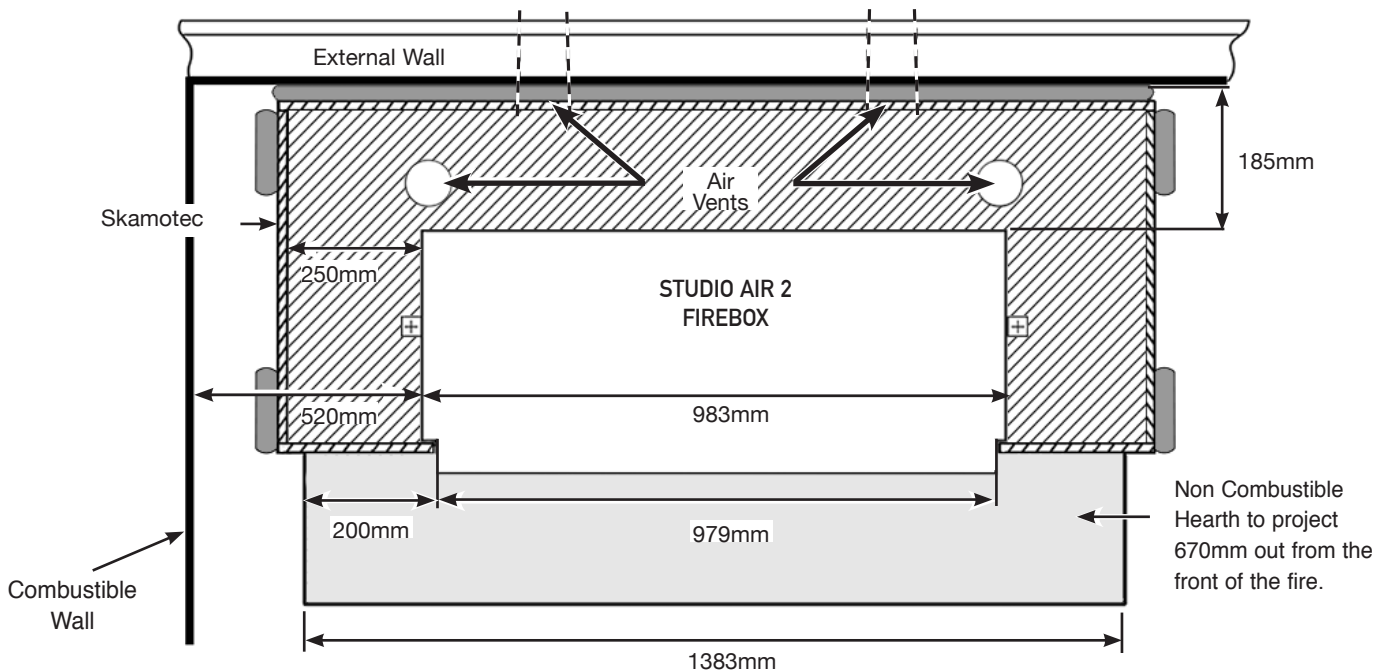
Variations to all of the basic frame out details will no doubt occur with designer preferences.

Any variations should be checked with your Stovax retailer or The Fireplace before construction.

Note: For instructions on inbuilt masonry installation refer to page 10.

INTERNAL TIMBER FRAME CHASE ON AN EXTERNAL WALL

Plan View



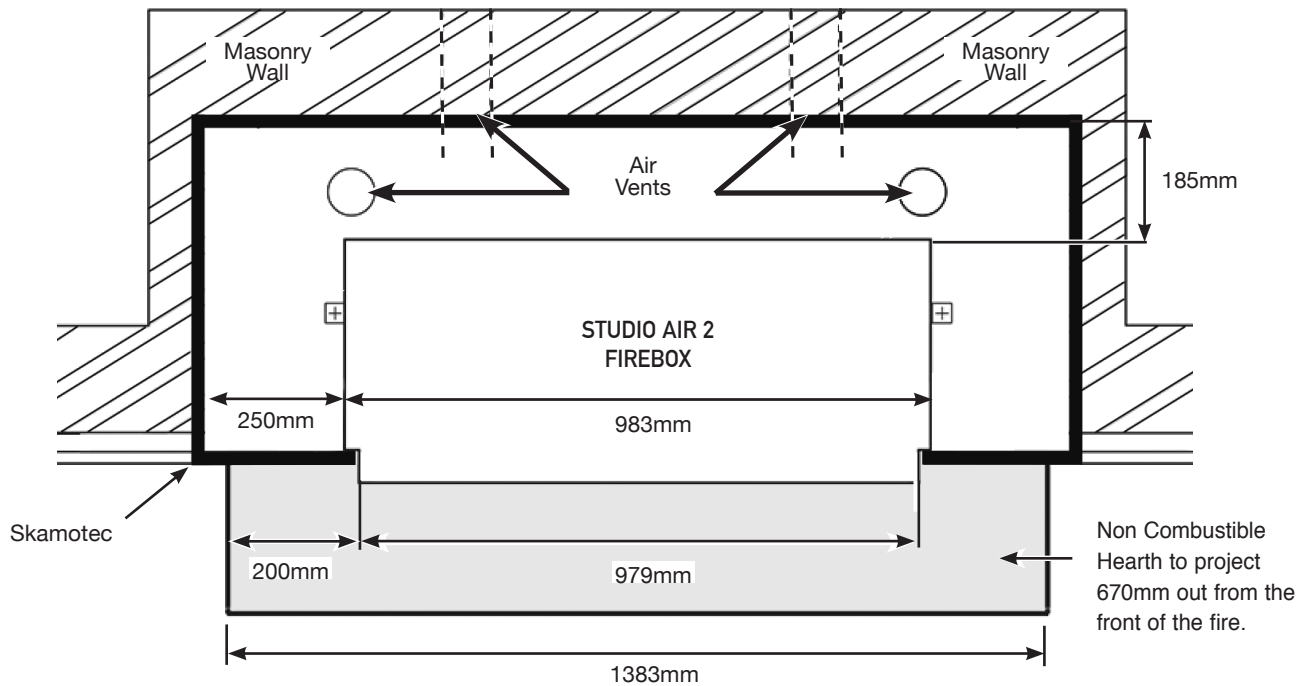
MASONRY INSTALLATION

The following standard masonry cavity details is for a typical installation:

- For a full masonry walled construction, it is recommended to construct the masonry section above the fire such that a masonry lintel is placed 300mm above the firebox. This will enable the flue installation to be carried out at a later date.
- For an In-situ concrete structure ensure one side is left open or the cavity is increased in size to allow for the installer to fit the flue to the firebox.
- Other than the presence of Skamotec panels for the sides and back, dimensionally, everything is the same as for diagram on page 9 including the floor protector. The finishing on the internal walls needs to be treated the same as detailed in the full STOVAX instruction details.

A TYPICAL MASONRY WALLED CONSTRUCTION

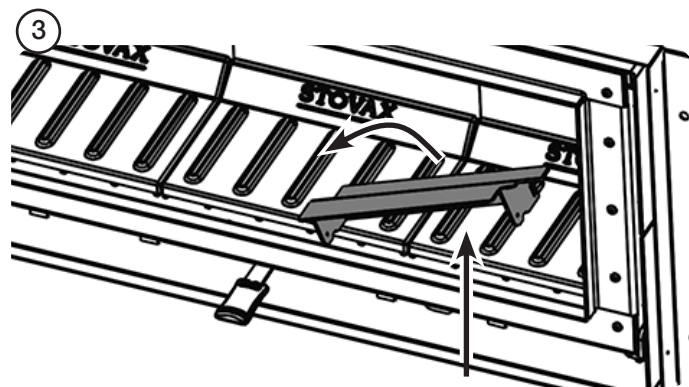
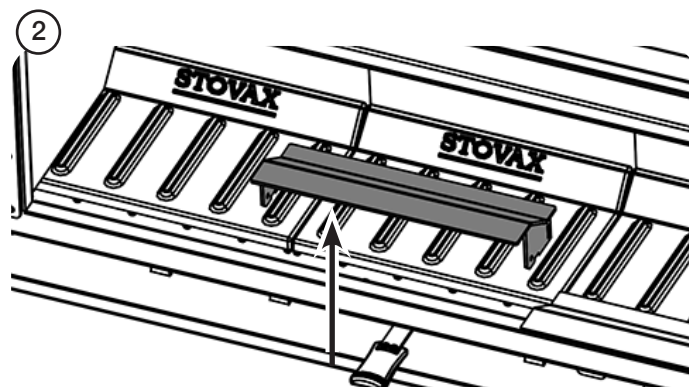
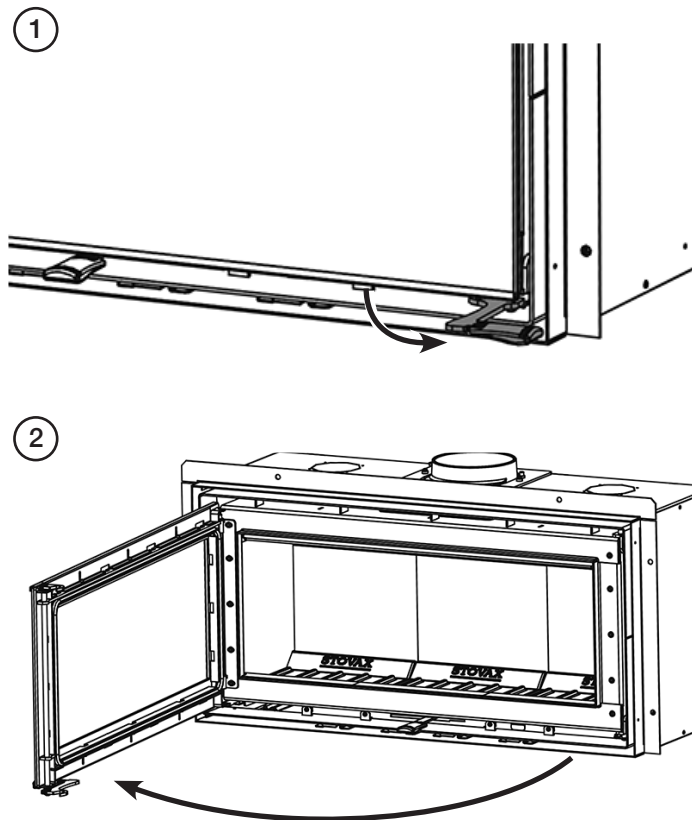
Plan View



PRE-INSTALLATION

To make the installation of the appliance easier it is best to remove the internal components before fitting into the builders opening/studwork.

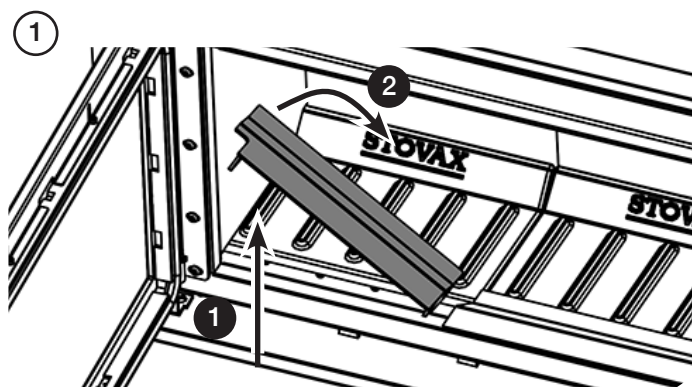
DOOR



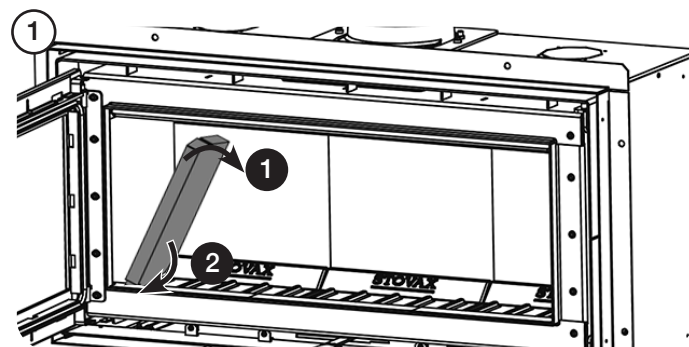
i The left and right log guards are handed. The cutouts must be positioned to the side of the firebox facing forward.

LOG GUARDS

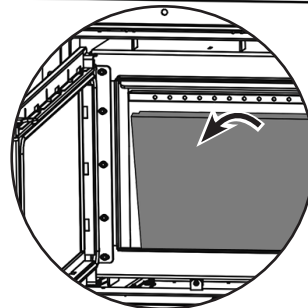
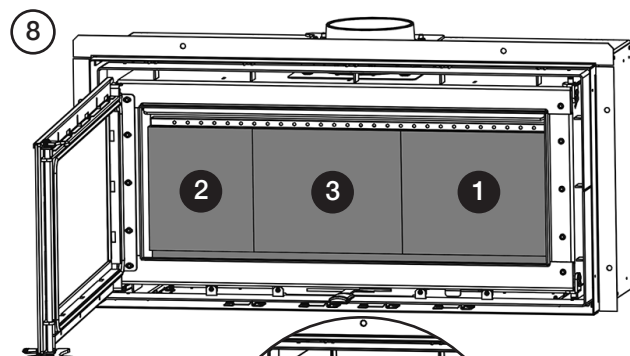
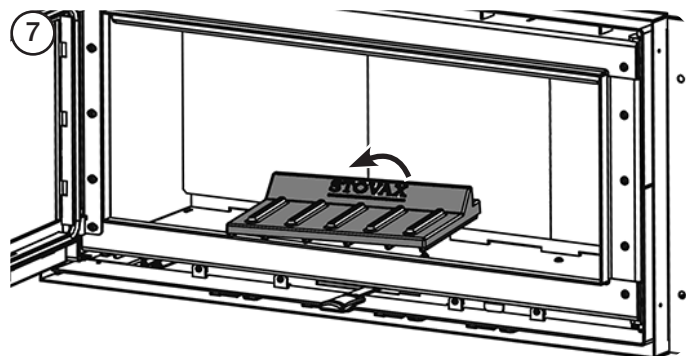
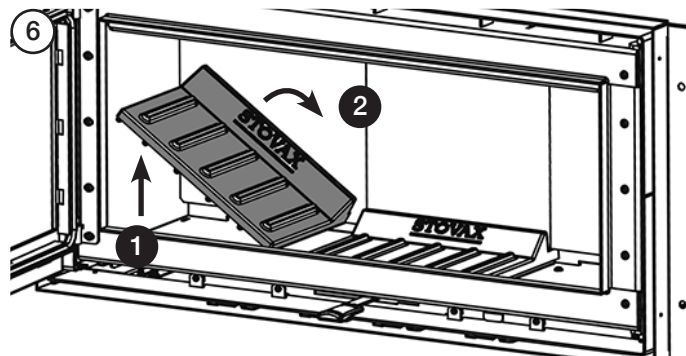
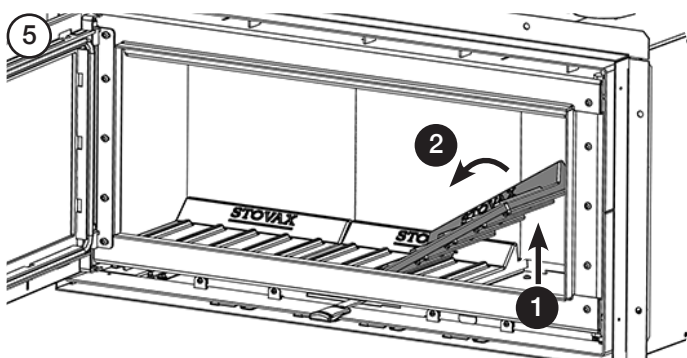
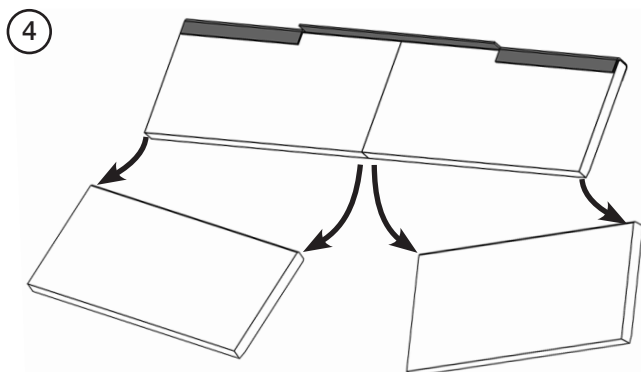
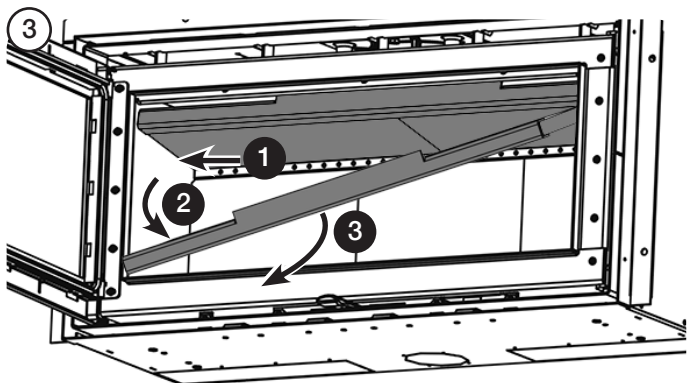
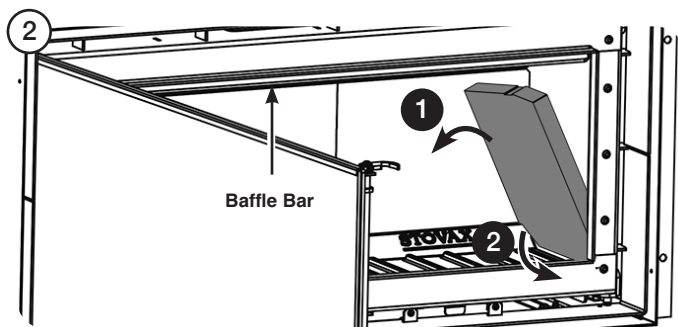
Do not use appliance without the log guards in position.



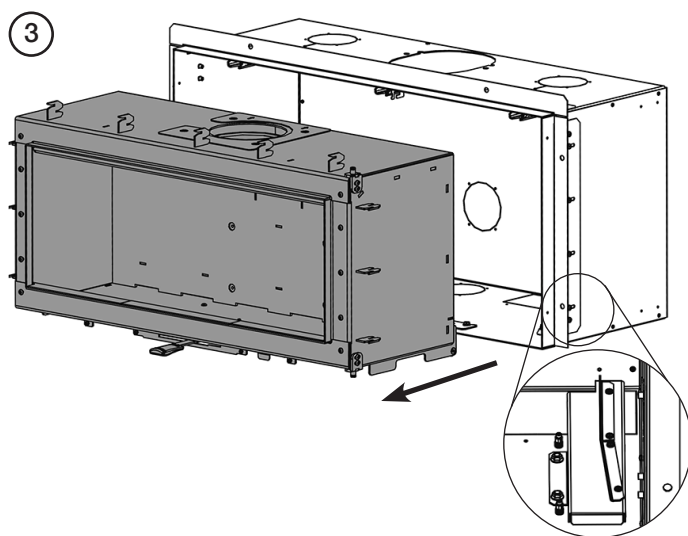
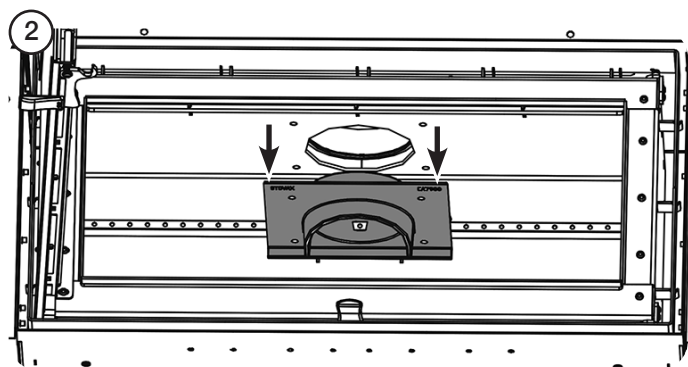
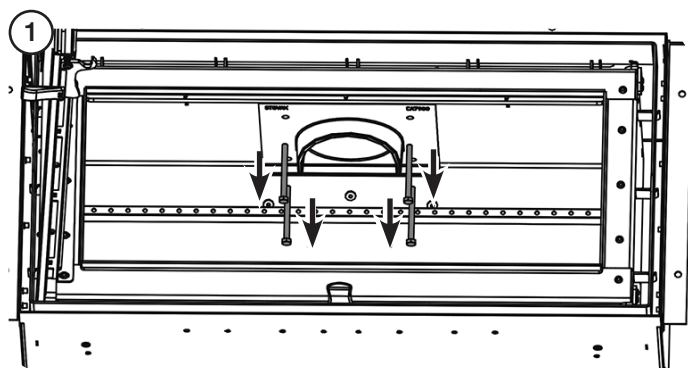
FIREBRICKS & BAFFLE



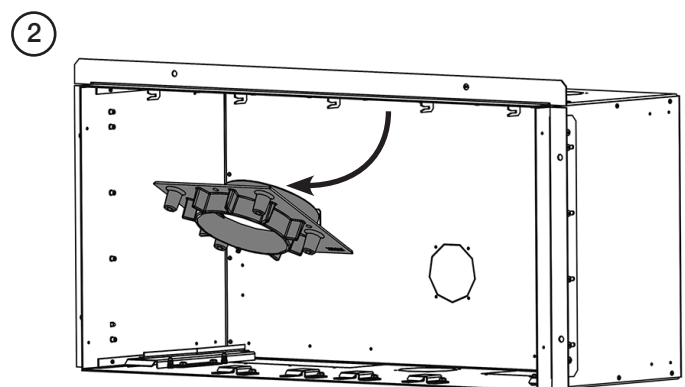
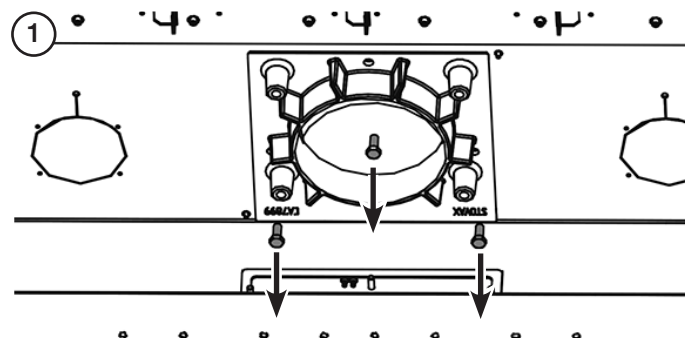
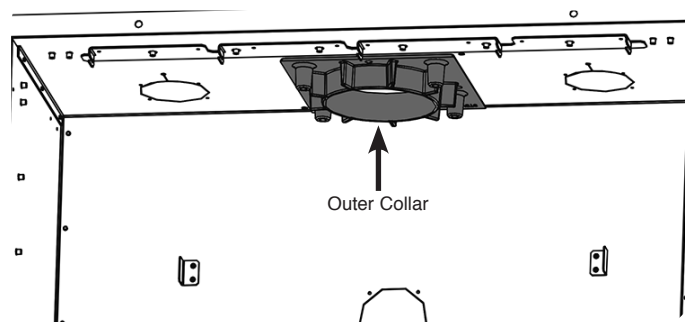
Support Baffle Bar



INNER COLLAR



REMOVAL OF OUTER COLLAR



The bolts locate in a bracket in top of the outer box. This remains in place when installing the flue system.

INSTALLING THE APPLIANCE

IMPORTANT: IT IS NOT RECOMMENDED TO POSITION LCD/PLASMA TV OR ARTWORK ABOVE THIS FIRE
 (Home owners take full responsibility if they choose to proceed with the above , please contact The Fireplace to discuss.)

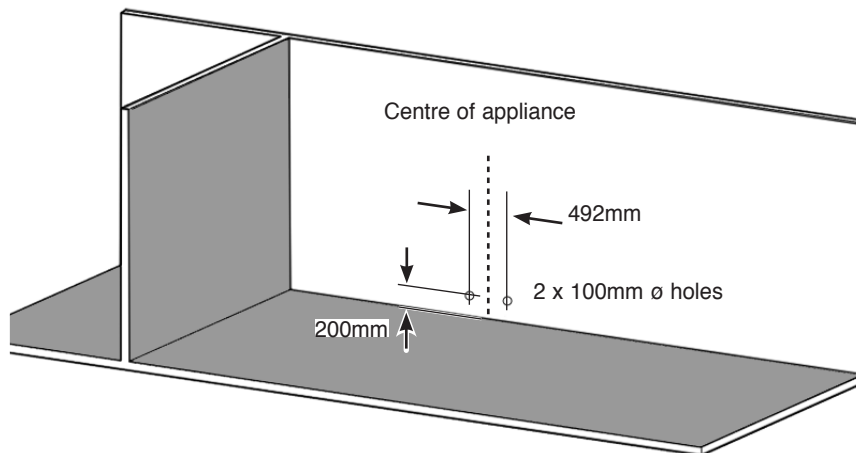
Do not pack any voids around or above the appliance with insulation materials such as mineral wool or vermiculite.

The appliance can be installed in a timber frame. For dimensions of the opening required see Frame Out Dimensions, page 9.

Make 2 x 100mm \varnothing in the external wall behind the frame out. Ensure the holes are either side of the centre line of the installation, see Diagram 1.

The holes must be 200mm above floor level or 200mm above the base of the appliance and open to unrestricted airspace.

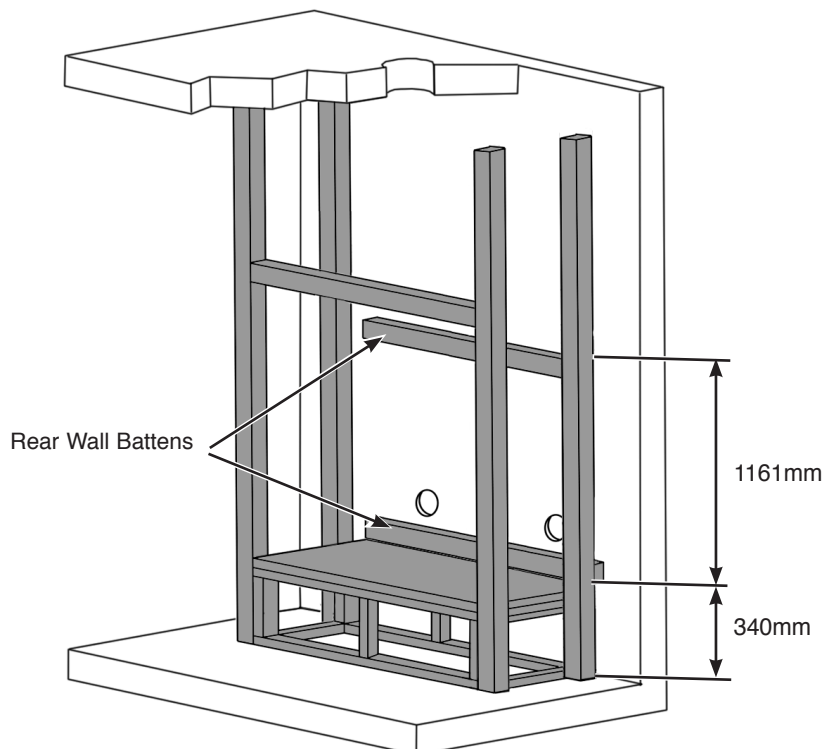
①



Fix the 2 rear wall battens.
 Build up the framework as required using 90mm x 45mm timber, see Diagram 2.

Ensure the framework is secured to the wall and floor of the building.

②

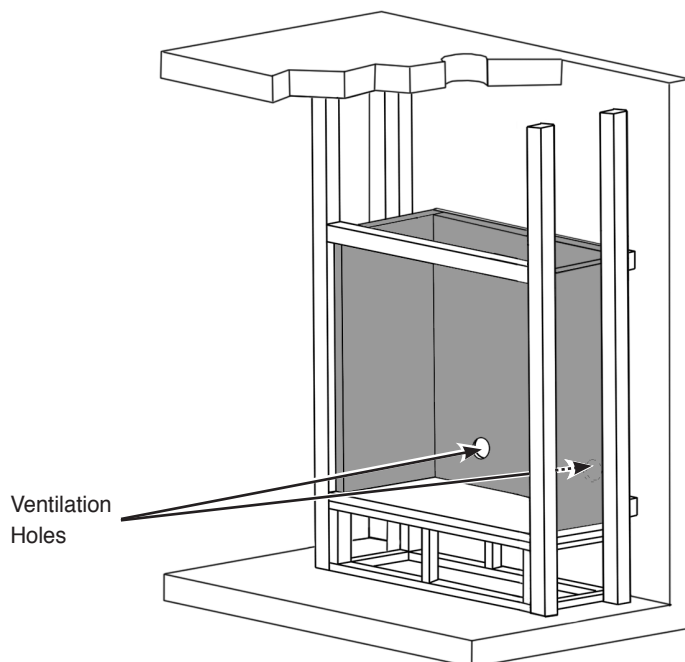


Install the sides and back Skamotec panels, see Diagram 3.

Cut 2 x 100mm holes in the rear panel. The holes must be 200mm above the base of the appliance.

Cover the external Vent Cover with mesh for vermin/bird proofing.

3



i

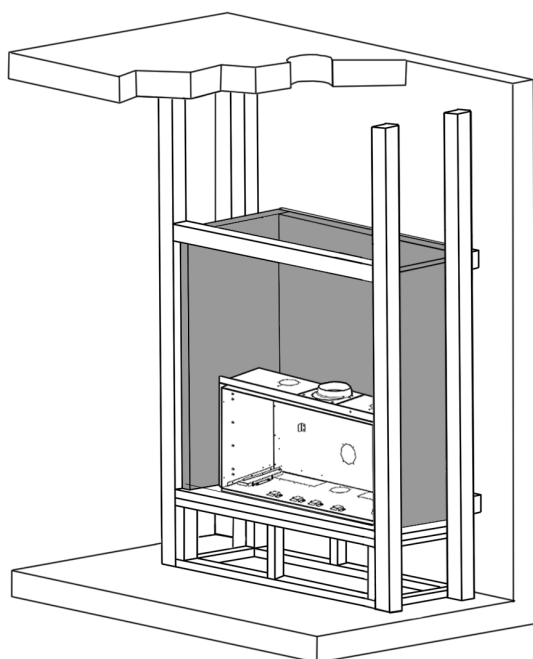
For ease of installation it is advisable to remove all the internal components from the appliance before fitting into the cavity. See Pre-Installation Section.

Install and fix the outer box into position on the Skamotec panel base. See Pre-Installation section for instructions on separating the inner and outer boxes.

Bolt the outer box base to the Skamotec panel base to comply with seismic restraint requirements.

Note: Use 2 x 6mm Rawl Bolts or similar approximately midway depth of the outer box and as close to the sides as possible

4



FITTING THE FLUE SYSTEM

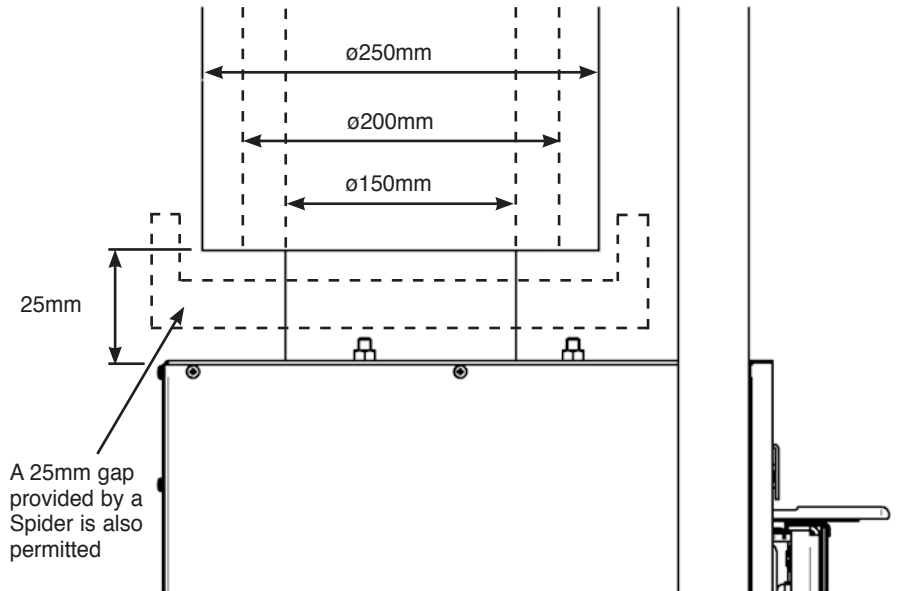
Fit the triple wall flue system in accordance with the manufacturers instructions and AS/NZS 2918:2001 ensuring the centre and outer skins are supported in the box brackets to maintain the required clearances, see Diagram 1

Ensure a gap of 25mm is maintained between the firebox and the 200 diameter and 250 diameter intermediate and outer flue pipes. A bottom spider is usually adopted for this purpose.

NOTE: Flue system must be installed as per 2918:2001 Section 4.

NO 45 DEGREE BENDS OFF THE TOP OF THE FLUE AND WITHIN THE FIRST 1200MM FLUE RUN., MAXIMUM OFFSET 10 DEGREES. AXIS OF THE FLUE SYSTEM SHOULD BE AS VERTICAL AS POSSIBLE

①



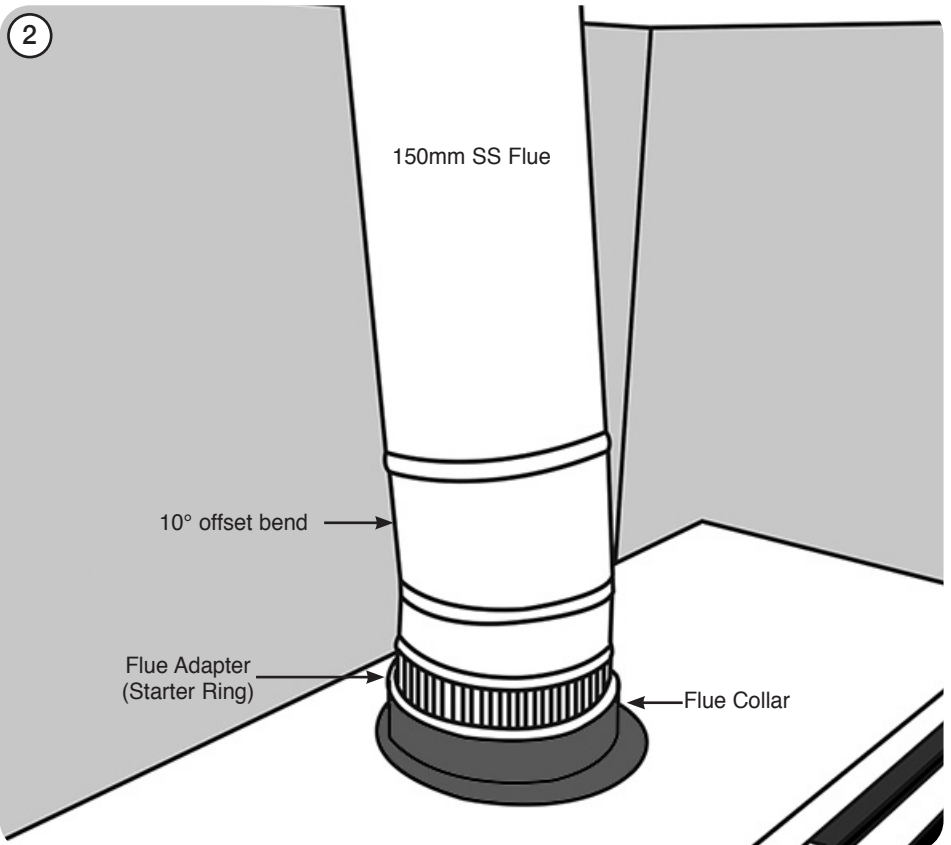
The connection to the firebox flue collar, requires a flue adaptor (supplied) to be inserted and sealed with high temperature sealant, before the first flue spigot is inserted*.

This example shows the use of a 10 degree offset bend (to the rear) which was used to align to a specific existing roof penetration. This is to minimise any smoke nuisance resulting from changes in flue direction, particularly when the door is opened for refuelling.

Use mesh screening to prevent deleterious material or birds/vermin from entering the firebox cavity.

Side support brackets add rigidity to the flue installation.

***NOTE: Run a bead of sealant around the swaged end of the flue adaptor, before engaging into the flue collar. DO NOT PUT ANY SEALANT INTO THE FLUE COLLAR.**

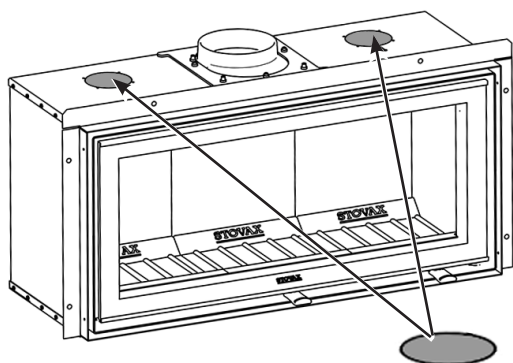


FITTING THE WARM AIR DUCT

Convection air must be ducted from the appliance to distribute warm air to elevated positions within the room or other parts of the building.

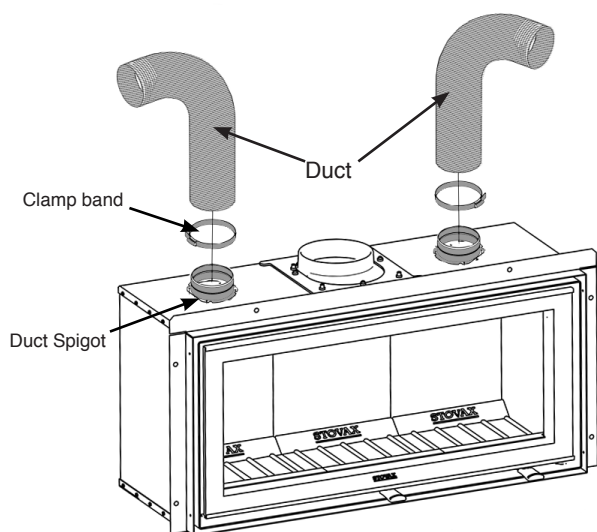
All duct runs must always rise from the appliance. Horizontal duct must never be less than a 20° raise to ensure a good airflow.

Remove the cover plates on the top of the firebox and fit the duct spigots:

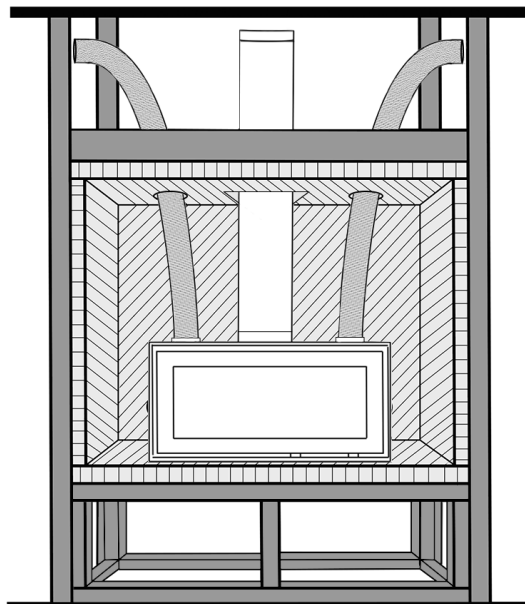


Cover (remove from box)

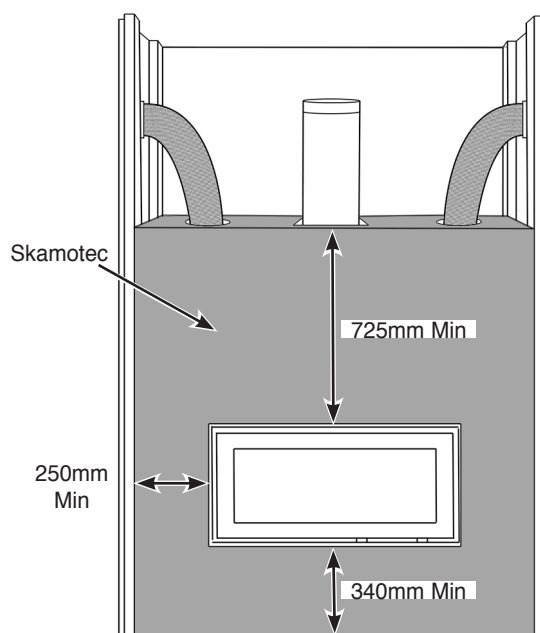
Fit the flexible pipe to the spigots and secure with the clamp bands.



Install the top Skamotec panel ensuring the holes for the flue and upper air vents are measured and pre-cut.



Fit Skamotec panels to studwork around the outer box.



NOTE: Warm air outlets get **HOT**

Due to the possible high temperature of the ducts combustible material must be placed **no closer than 100mm** to the surface. The duct exits and grills must only be placed in a non-combustible wall panel.

NOTE: There are 2 methods of installation:

Frameless Edge Installation
Fitting with a Decorative Frame

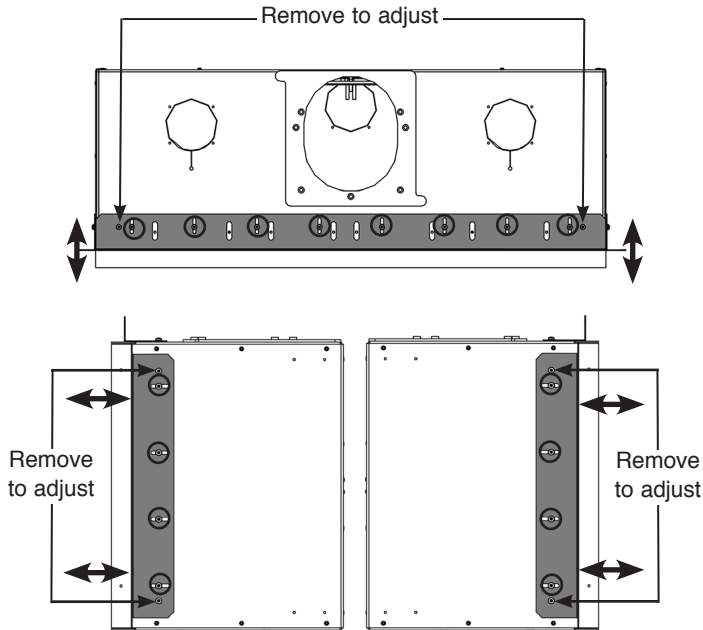
Carefully read the relevant section on page 18 for the installation method required.

INSTALLATION INSTRUCTIONS

FRAMELESS EDGE & EDGE + INSTALLATION

The Edge Frame consists of 3 adjustable sections to ensure a flush finish with the non combustible board and final plaster skim.

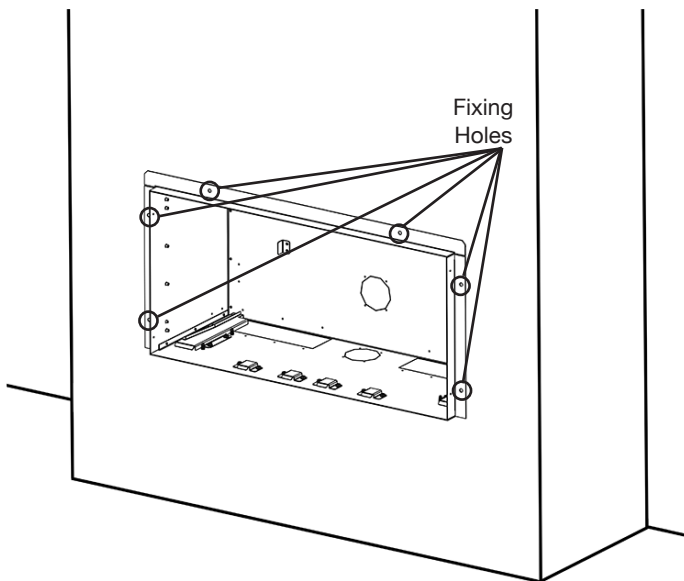
To adjust the Edge Frame loosen the screws on the outside of the outer box flanges. Edge Min 18mm - Max 44mm.



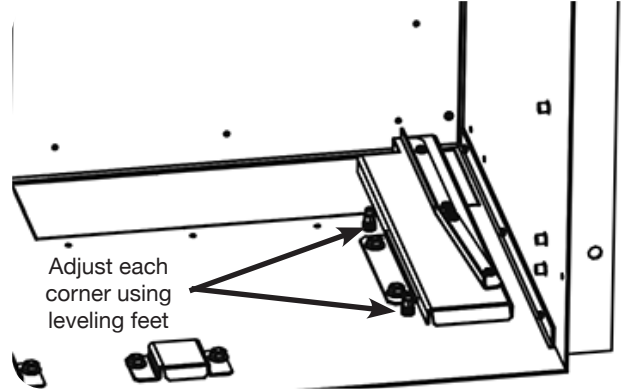
Slide flanges to adjust to desired depth.

Tighten screws.

Insert the appliance into the aperture and secure through the fixing holes.



The position of the box can now be improved within the builder's opening by adjusting the four levelling feet to ensure it sits firm and level at all four corners.

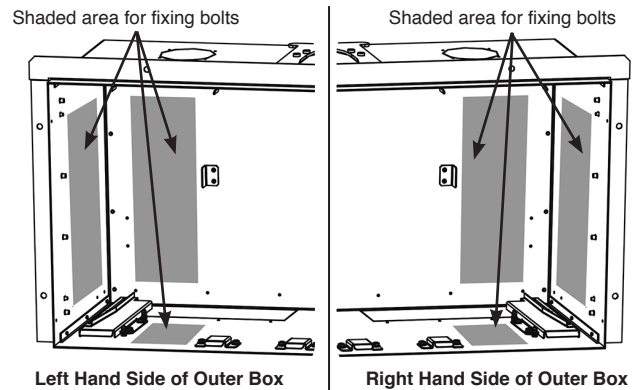


Wind the set screws down to the desired position in each corner.

Use M6 or M8 bolts to secure the outer case to the masonry of the fireplace. There must be at least two bolts in the rear and one in either side. Check the security of these fasteners before proceeding to fit the inner box.

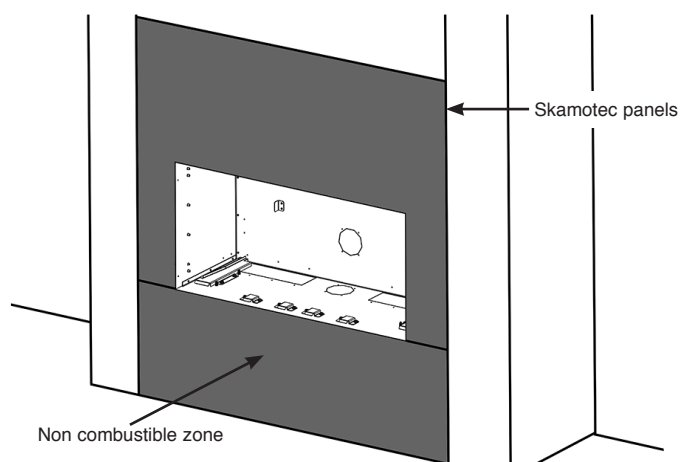
Fixings must be positioned within the shaded area shown to avoid interfering with fan or Outdoor Air kit installations. Do not over tighten and deform the firebox.

This appliance **MUST** be securely fixed in position to support the door when opened.

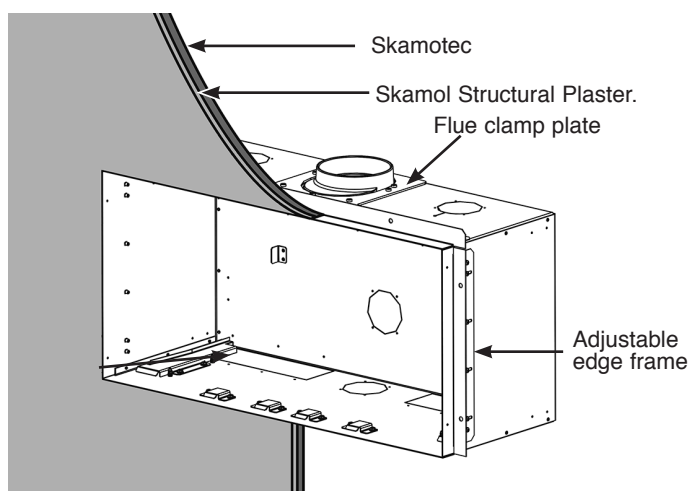


Fit Skamotec panels to studwork around the outer box up to the adjustable edge frame and leave enough room for the final skim of Skamol Structural Plaster.

Standard plasterboard is not suitable.



Apply Skamol Structural Plaster to **at least 900mm above and 400mm to the sides of the chimney breast**, making sure it is not too thin or it will crack.



Connect the flue system, see Flue Section.

To finish this installation re-install the inner box.

After commissioning, finish the sides of the chimney breast.

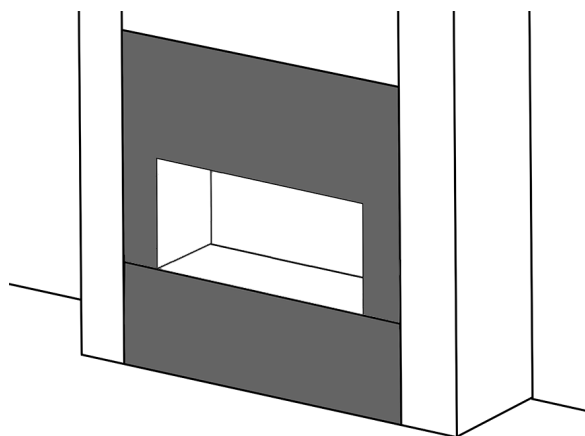
FITTING WITH ICON XS & PROFIL FRAMES

The appliance can be fitted with a decorative frame after installation. Install in conjunction with the Frame instructions supplied.

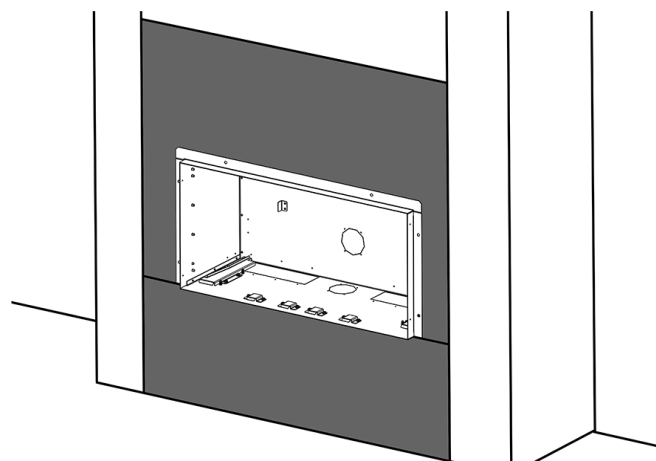
Fit Skamotec panels to studwork around the aperture.

Standard plasterboard is not suitable.

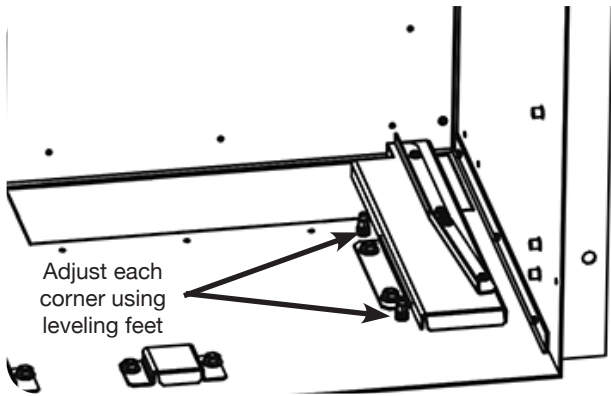
Apply Skamol Structural Plaster to **at least 900mm above and 400mm to the sides of the chimney breast**, making sure it is not too thin or it will crack.



Insert the outer box into the aperture.



The position of the box can now be improved within the builder's opening by adjusting the four levelling feet to ensure it sits firm and level at all four corners.

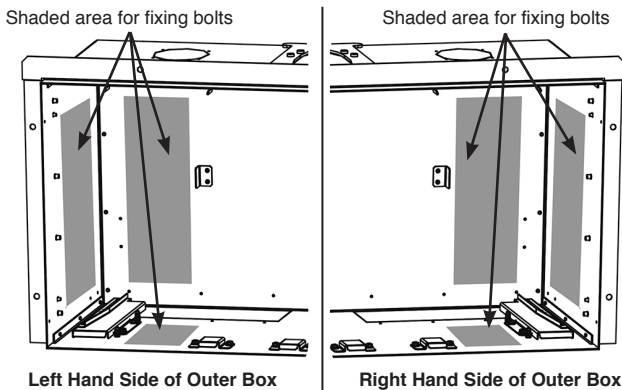


Wind the set screws down to the desired position in each corner.

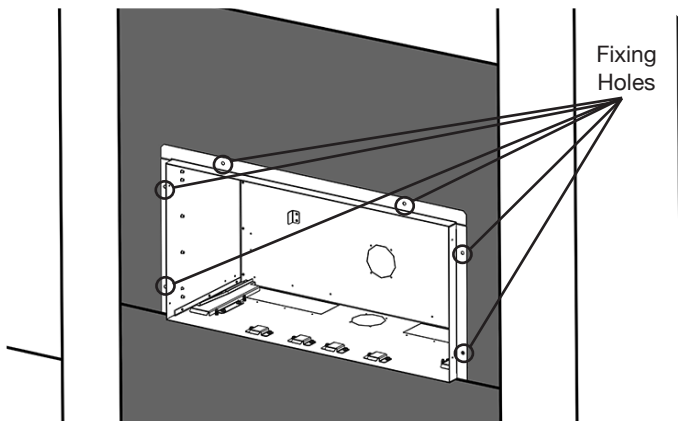
Use M6 or M8 bolts to secure the outer case to the masonry of the fireplace. There must be at least two bolts in the rear and one in either side. Check the security of these fasteners before proceeding to fit the inner box.

Fixings must be positioned within the shaded area shown to avoid interfering with fan or Outdoor Air kit installations. Do not over tighten and deform the firebox.

This appliance MUST be securely fixed in position to support the door when opened.



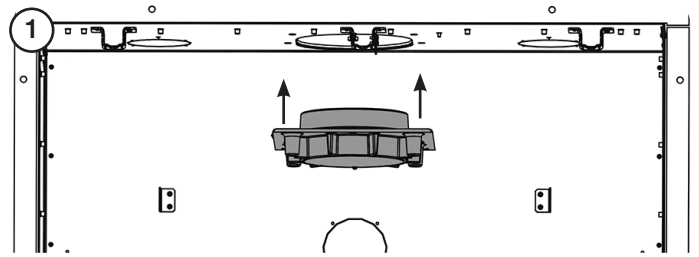
Secure through the fixing holes.



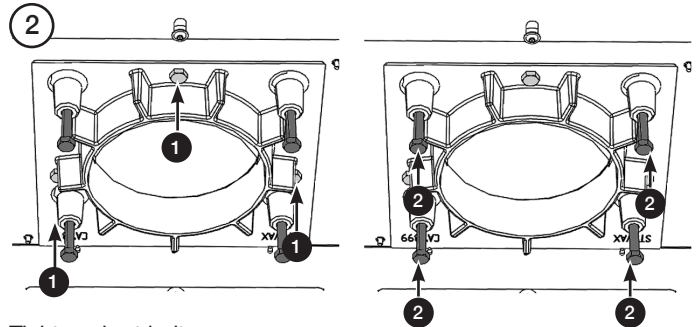
Connect the flue system, see Flue Section.

To finish this installation re-install the inner box. After commissioning, finish the sides of the chimney breast.

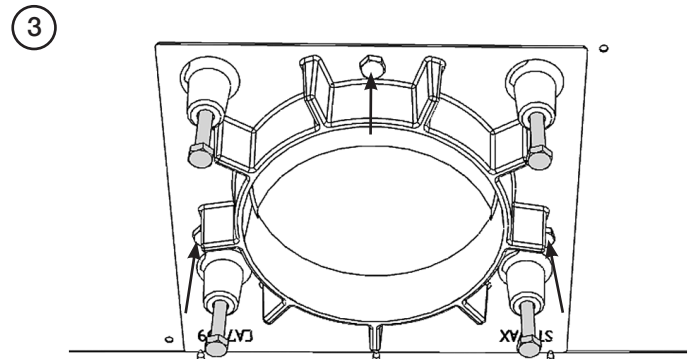
REFITTING THE FLUE COLLARS



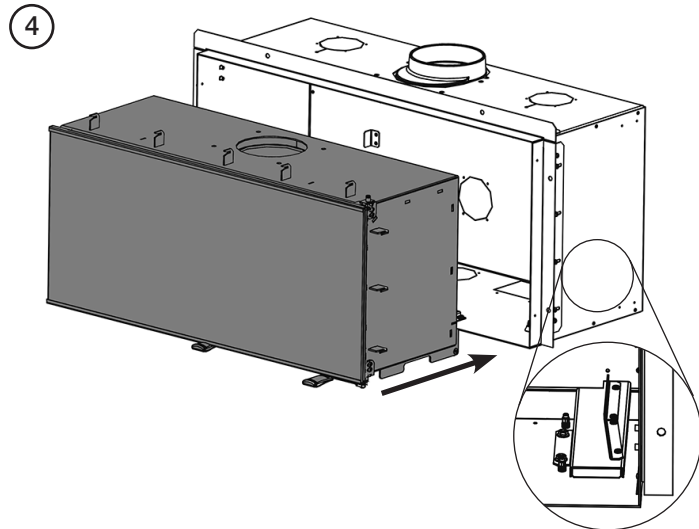
Loosely fit short bolts (1) then fit longer bolts (2).



Tighten short bolts.

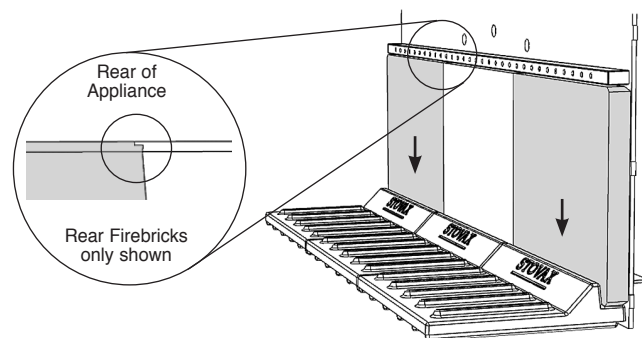
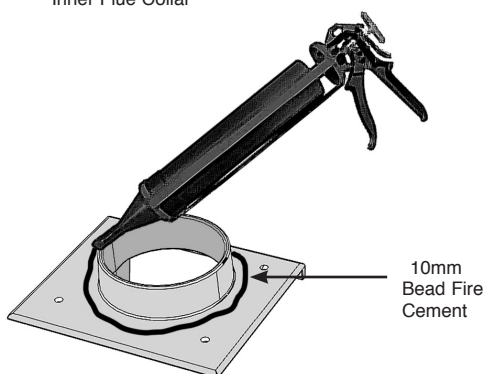


Remove longer bolts.



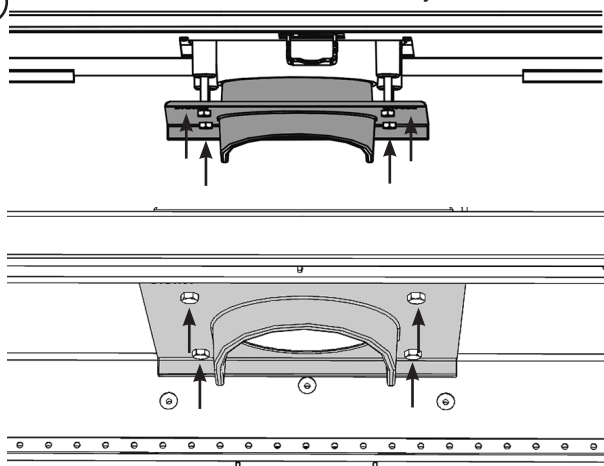
5

Inner Flue Collar

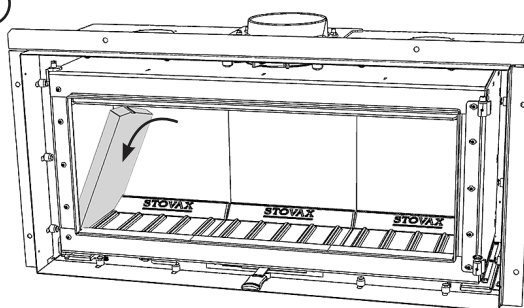


6

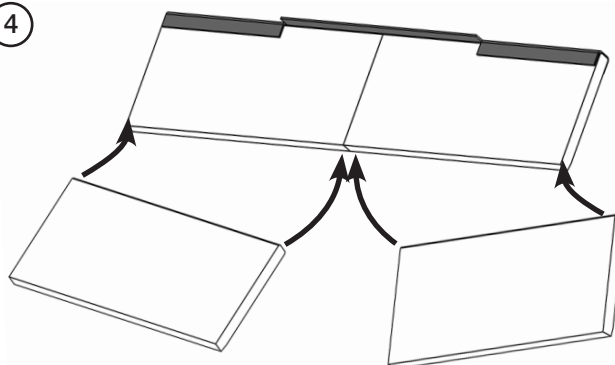
Inner box removed for clarity



3

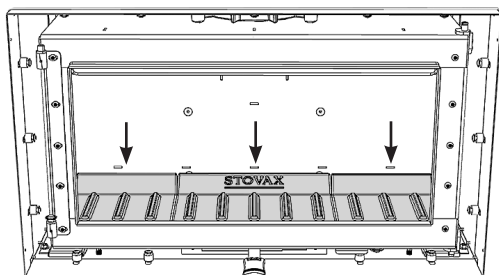


4

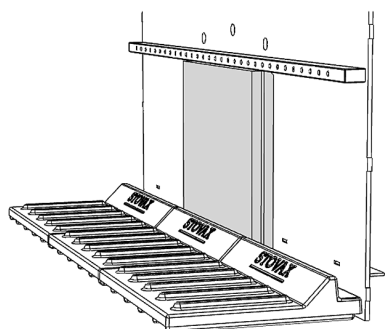


REFITTING FIREBRICKS

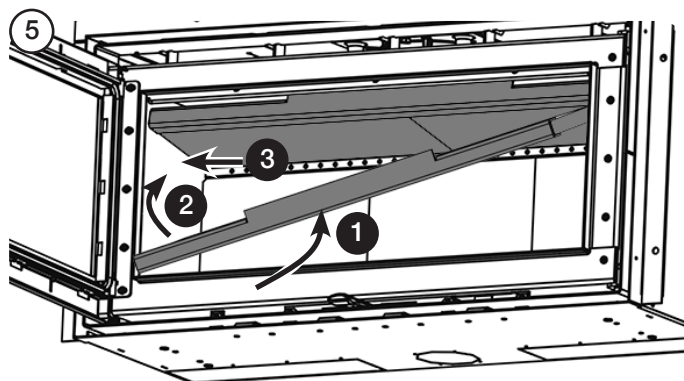
1



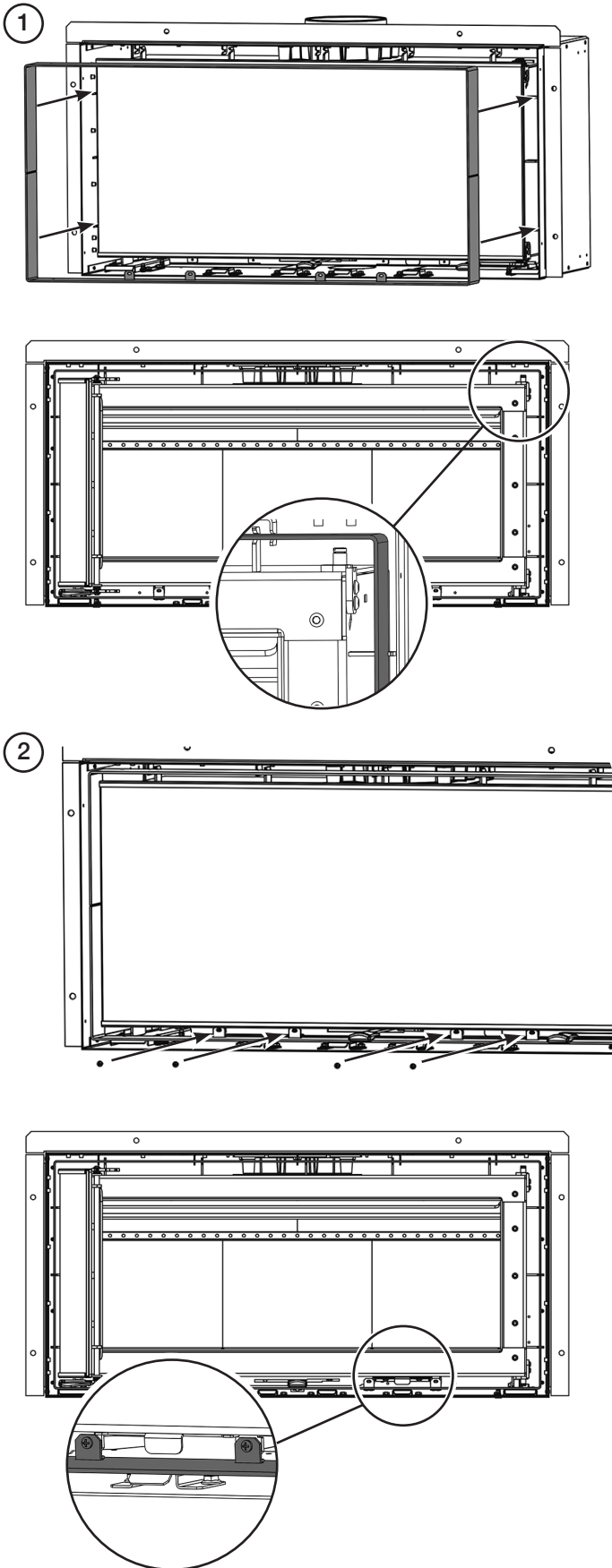
2



5



FITTING THE INNER DECORATIVE FRAME

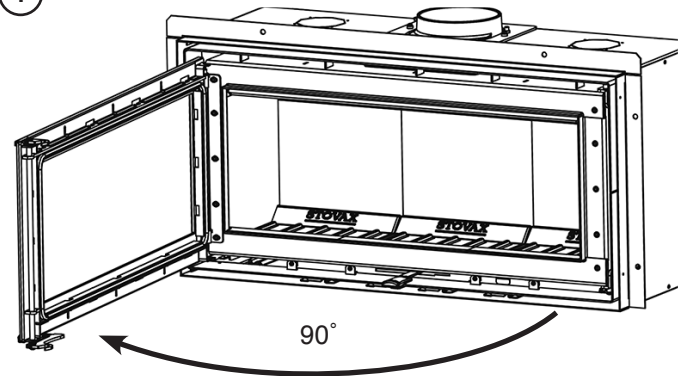


REVERSING THE DOOR

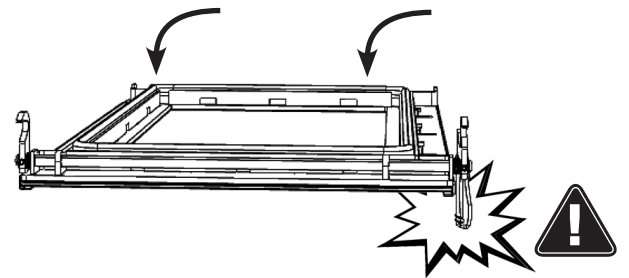
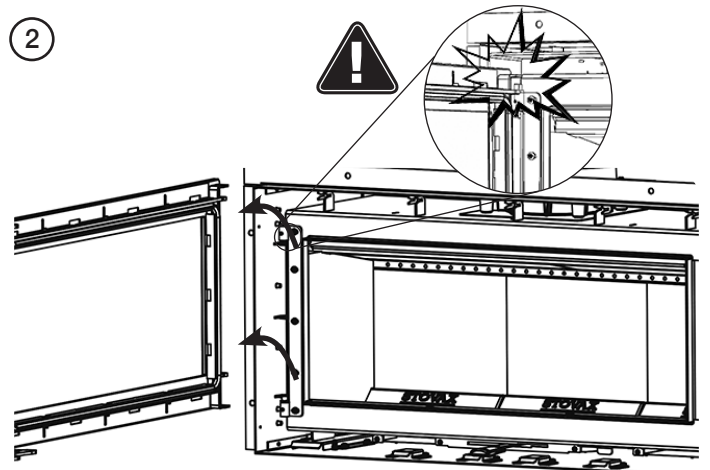


Note: In order to change the door orientation the existing door latch will need to be replaced with a Reversible Door Handle Latch: Stovax Part No. 326-929. Retain original Latch to return the door to its original state.

1

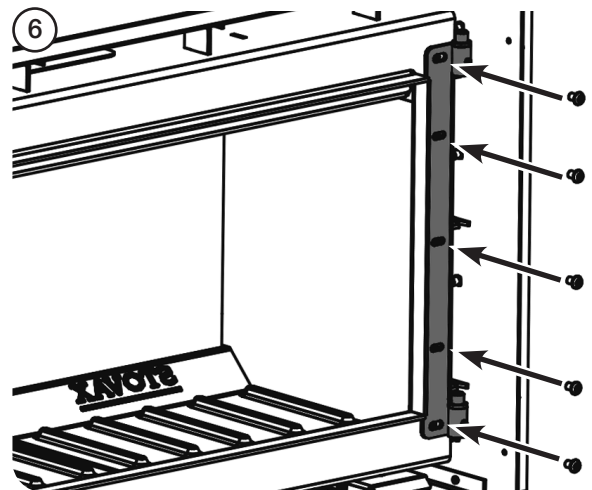
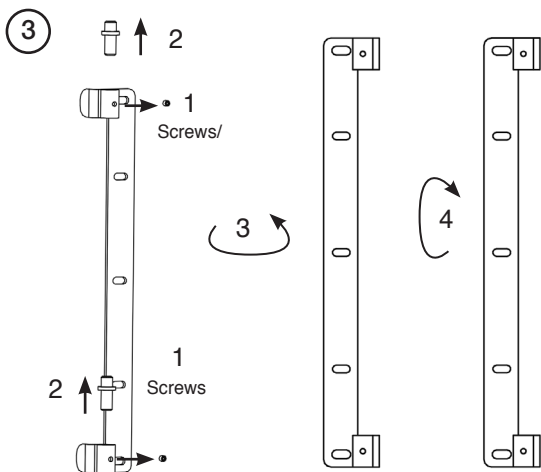
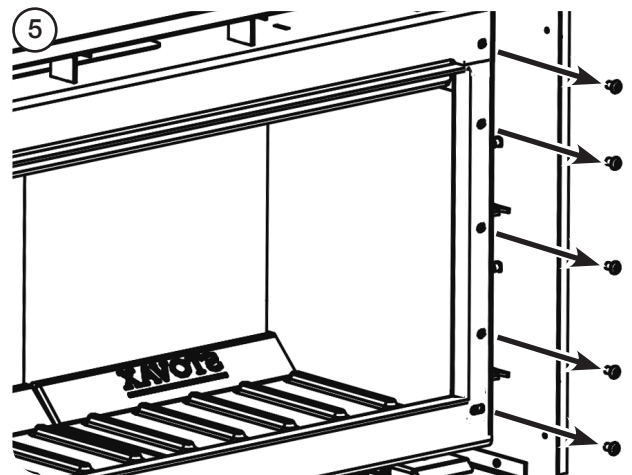
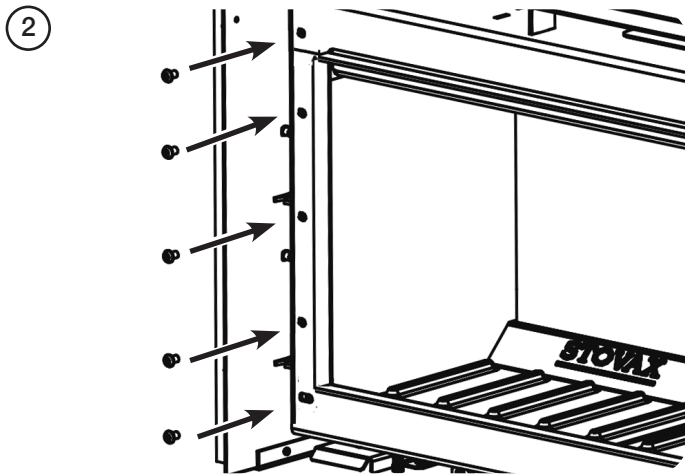
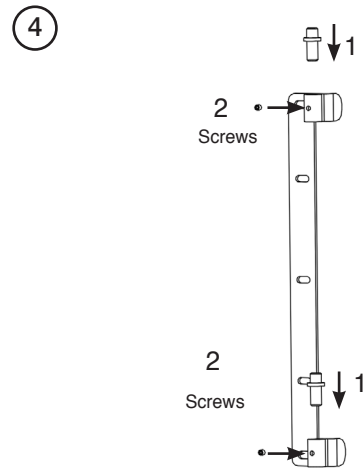
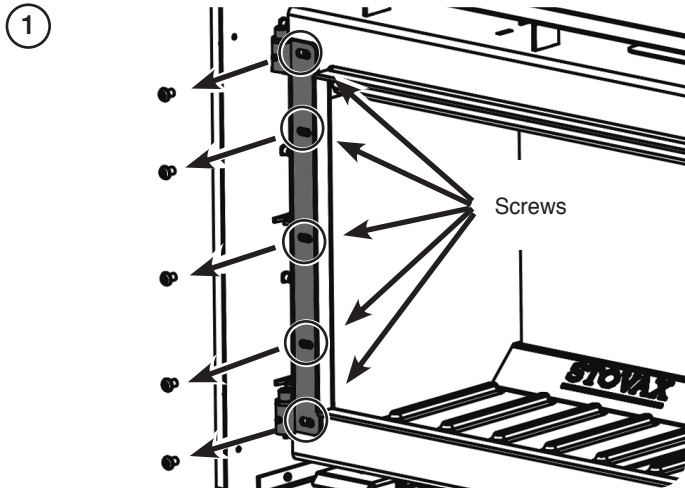


2

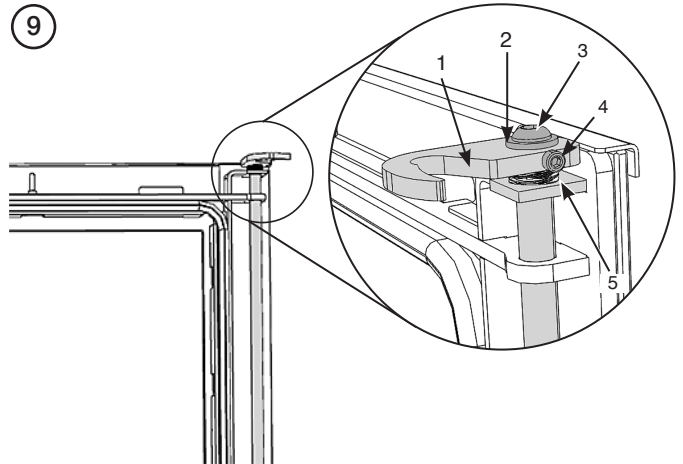
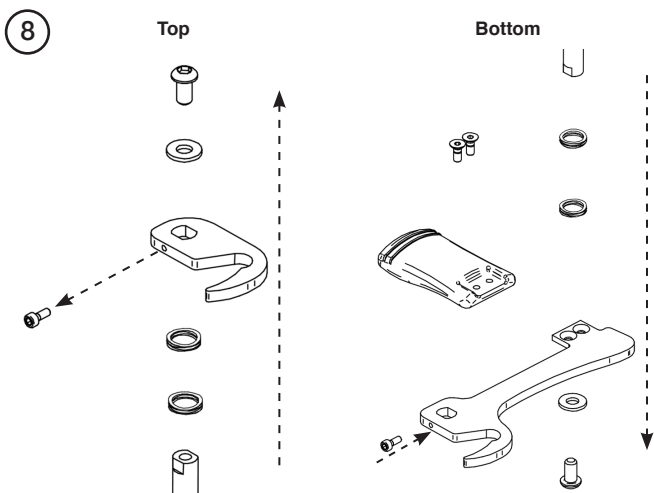
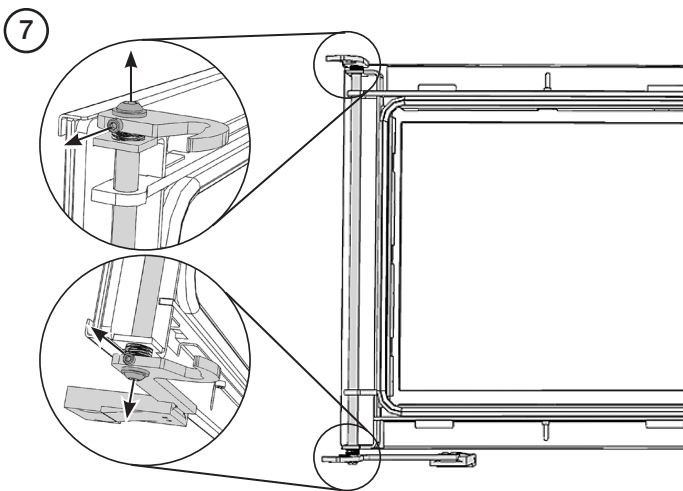
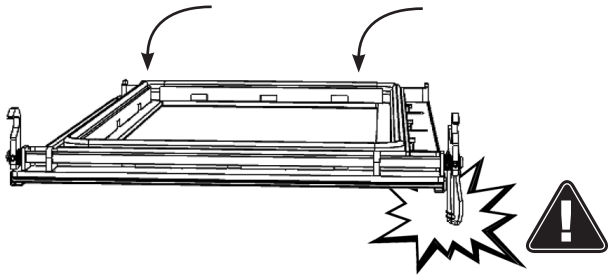


After reversing the door it may be necessary to adjust the door hinges and catches to ensure the safe, correct closing of the door. The door must be horizontal/level with the top of the inner box and the door catch engages correctly. See Maintenance & Servicing.

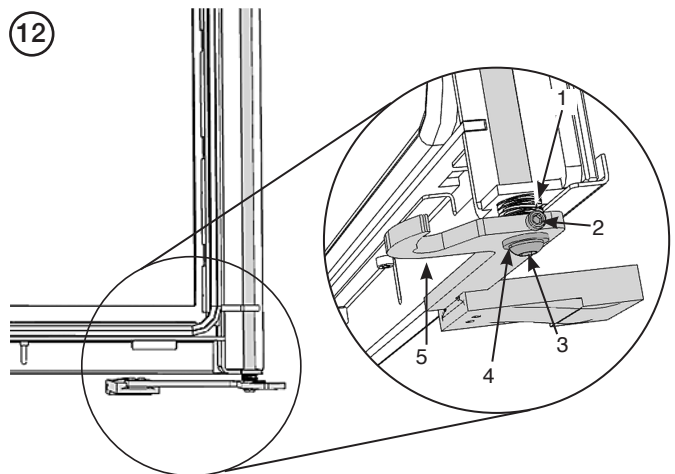
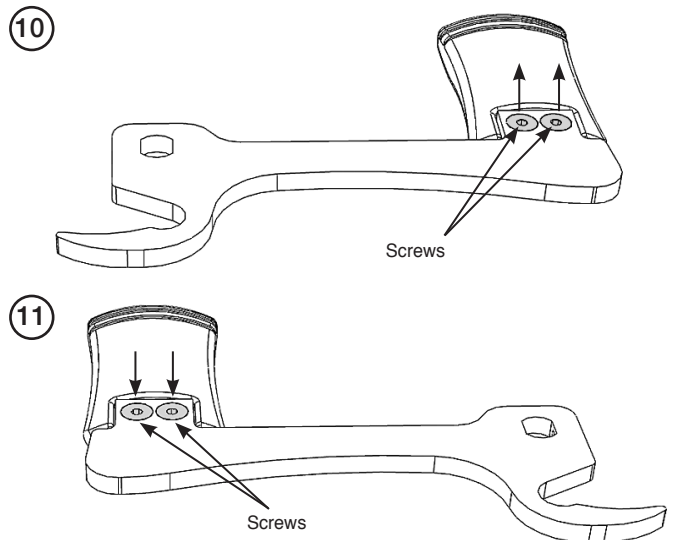
HINGE ASSEMBLY



i Lie the door face down on a soft flat surface to protect the paint work and glass.

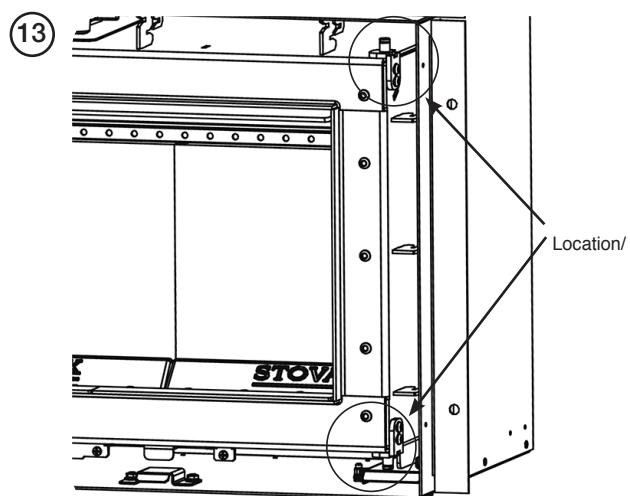


- 1. Top Latch
- 2. Washer
- 3. Large Screw
- 4. Small Screw
- 5. 2x Springs

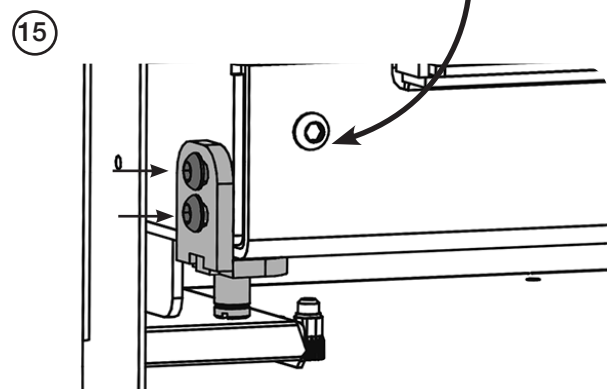
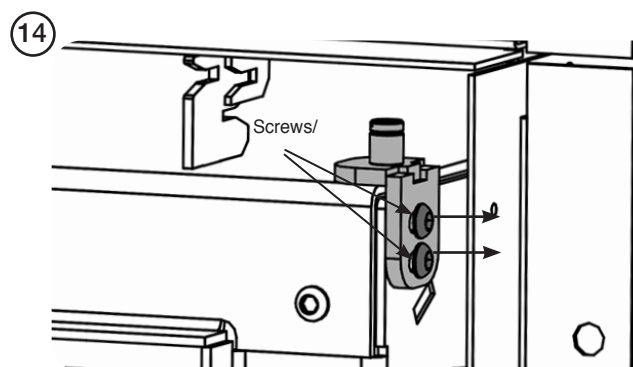


- 1. 2x Springs
- 2. Small Screw
- 3. Large Screw
- 4. Washer
- 5. Bottom Latch

DOOR CATCHES

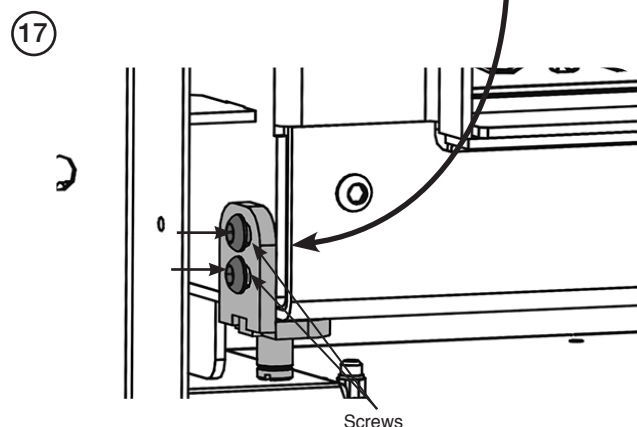
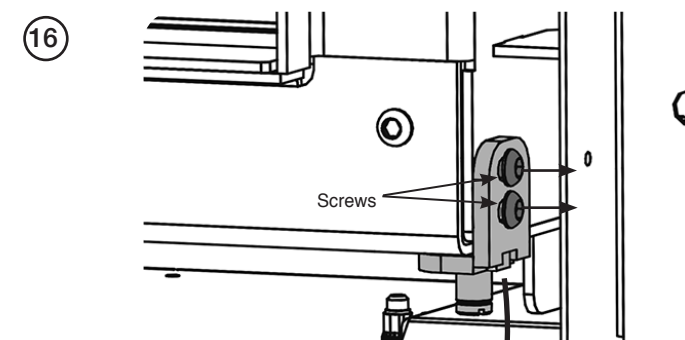


Top Catch



i Blank off the holes on the opposite side of the box with the screws previously removed.

BOTTOM CATCH



i Blank off the holes on the opposite side of the box with the screws previously removed.

Refit door.

i After reversing the door it may be necessary to adjust the door hinges and catches to ensure the safe, correct closing of the door. The door must be horizontal/level with the top of the inner box and the door catch engages correctly. See Maintenance & Servicing.

COMMISSIONING

To commission:

- Ensure all internal components (log guard, baffle(s), bricks) are correctly fitted.
- Check the door alignment and catch operation, adjust if required (see Maintenance and Servicing Instructions).
- Check the soundness of door seals, castings and flue connections.
- Check the operation of the air control.

Now carry out a final smoke draw test:

- First warm the flue with a blowlamp, or similar, for about 10 minutes.
- Place a smoke pellet on the centre of the base bricks, with the air controls open.
- Close the door. Smoke should now be drawn up the flue and be seen to exit from the flue terminal.
- Complete test with all doors and windows closed in the room where the appliance is fitted.
- If there are any extractor fans in adjacent rooms, the test must be repeated with the fans running on maximum and interconnecting doors open.
- Check the effect of ceiling fans during the test.

If the test fails, re-check the suitability of the flue system and ventilation. **An inadequate air supply to the room is potentially dangerous.**

- Light the appliance and slowly increase the temperature to normal operating levels.
- Ensure no combustion products enter the room.
- Open the main fire door when the appliance reaches normal operating levels and carry out a spillage test with a smoke match or pellet around the door opening.

If excessive spillage occurs:

- Allow the appliance to cool and re-check the flue system and ventilation, see troubleshooting guide pages in User Instructions

Finally:

- **Explain the safe operation of the appliance and the use of the controls to the user and the importance of only using suitable fuels.**
- **Explain the cleaning and routine maintenance requirements.**
- **Explain the requirement to use a suitable fireguard when children, elderly or infirm persons are near the appliance.**

IMPORTANT

- **Record dealer/supplier details and installer details on page 3 of this manual.**
- **Record serial number in page 3 of this manual.** This number is required when ordering spare parts and making warranty claims.
- **Give this instruction manual to the customer.**



These steps MUST be completed in order to qualify for the full dealer warranty.

Failing to complete the commissioning checklist on page 3 will mean the warranty will only be valid for 12 months from the date of purchase.

SERVICING

For a complete list of spare parts and accessories contact your Stovax Retailer or visit www.stovaxspares.co.uk

Before the start of the heating season strip, inspect and clean the appliance as detailed:

- Allow appliance to cool.
- Remove all internal parts: baffle, log guard, cast bases and firebricks.
Take care handling firebricks as they can become fragile after a period of use.
- Sweep the appliance at this point if necessary.
- Vacuum clean any remaining ash and debris from the inside of the appliance. Stovax offer a filter/collection attachment for vacuum cleaners to protect them from fire ash: Ash Clean (Stovax Part No. 2091).
- Check the parts for any damage. Replace any damaged parts using genuine Stovax replacements parts.
- Check and clean the firebricks with a soft brush.
Some surface damage will occur during use. The life of the bricks will depend on the type of fuels burnt and the level of use.
Replace damaged bricks as soon as possible.
- Re-fit cleaned internal parts.
- **Use Stovax Glass Cleaner (Stovax No.4103) which is better formulated for this application.**
Do not use abrasive cleaners to remove tar or soot deposits from the glass.
- Fit new door rope seal.
- Lightly oil the door catch mechanism and hinge pins. Avoid getting oil onto the door seals and glass.
- To refresh painted finishes a touch up spray is available.
Contact your Stovax retailer quoting the serial number found on the appliance data badge.

Use genuine Stovax replacement parts to keep the appliance in safe, efficient working order.

Products to assist in the cleaning and maintenance of your Studio Air are available online at www.stovax.com or from your local Stovax dealer which, along with regular maintenance and use of correct fuels, will keep the appliance in the best possible condition.

For more information about the Stovax Group products please visit our web site at www.stovax.com

Burn at a low temperature for the first day of use after any maintenance. This allows the seals, fixing glues and paint to fully cure.

During this time the appliance may give off some unpleasant odours. Keep the room well ventilated to avoid a build-up of fumes.

Your Stovax dealer can carry out service and maintenance.

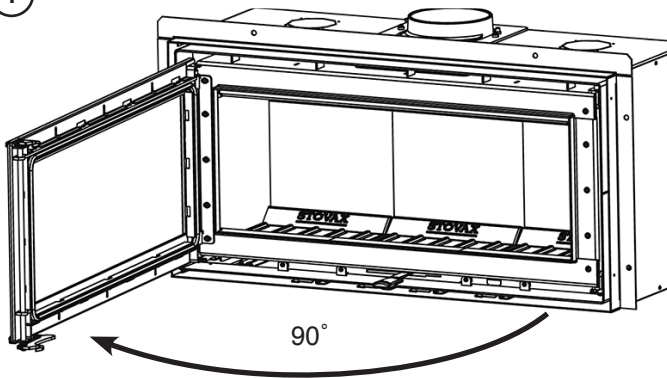
TASK	PRODUCT NAME	NO.
Re-painting	Touch Up Paint (150ml aerosol)	2056

Available online at www.stovax.com or from your local Stovax dealer, along with regular maintenance and use of correct fuels, will keep the appliance in the best possible condition.

i **IMPORTANT: Stovax provide gauntlet style gloves for the users protection from heat and any sharp edges when using the appliance.**
For your safety ensure that gloves are always worn when opening, operating, refuelling or handling internal metalwork.

FITTING A NEW DOOR SEAL

1



Clean the locating groove with a clean dry cloth to remove all old dust and debris.

Squeeze a generous bead of fresh Stovax Thermic Seal glue into the rope locating groove.

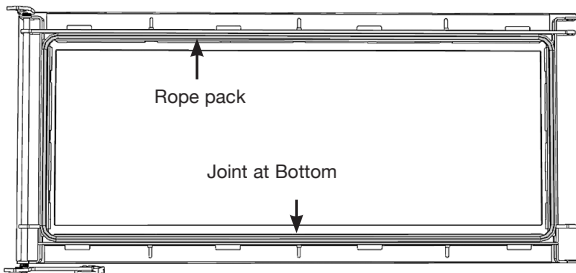
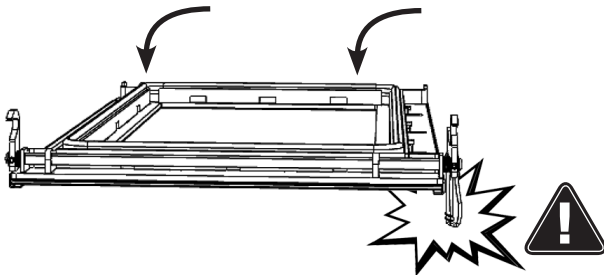
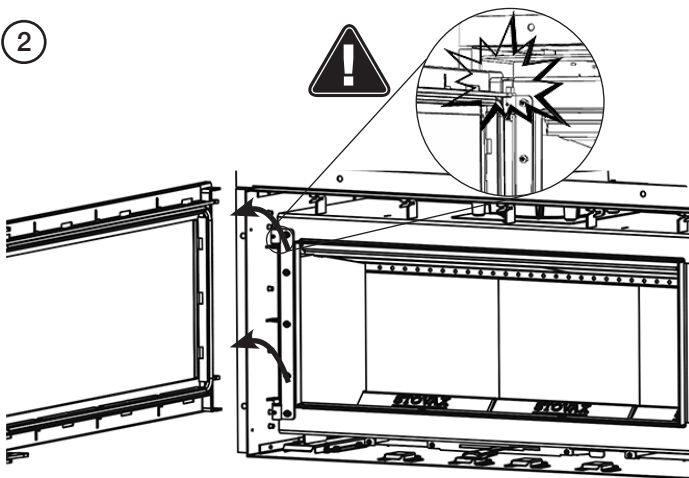
Press the new Stovax rope into the locating groove, placing the joint in the middle of the bottom edge of the door using tape supplied for the ends.

Refit the door and close the door to apply pressure to the new rope.

Leave the appliance closed for at least 12 hours before lighting the appliance and using at a low output for approximately one day.

Using the appliance with a damaged door seal can cause dangerous fumes to enter the room, or the appliance to over fire, resulting in damage.

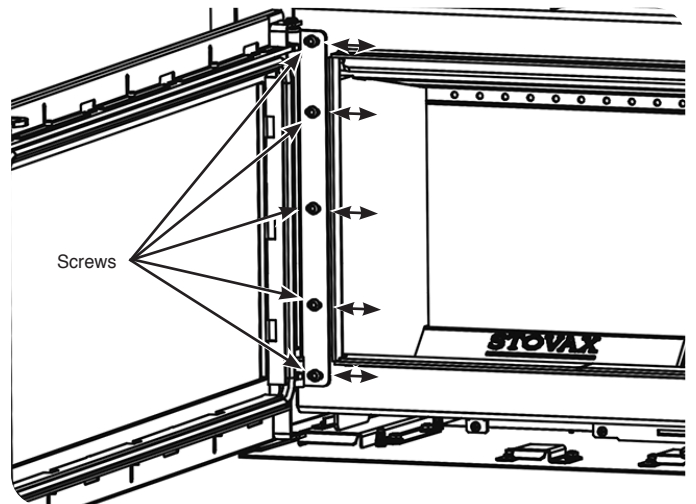
2



To maintain the safe use of your appliance you need to replace damaged or worn door sealing rope. To complete this operation remove the door before starting.

Remove the old rope and scrape old glue from the locating groove.

ADJUSTING DOOR HINGES



To maintain the safe use of your appliance, you may need to adjust the door hinges to ensure the safe, correct closing of the door. The door must be horizontal/level with the top of the inner box and the door catch engages correctly.

Adjustment is possible by adjusting the hinges on Inner Box.

Open the door to give access.

HINGES ON INNER BOX

Loosen the screws inside the appliance as shown. This will give horizontal adjustment which may need a trial and error approach to find the correct position. The door must be horizontally level.

ADJUSTING THE DOOR CATCH

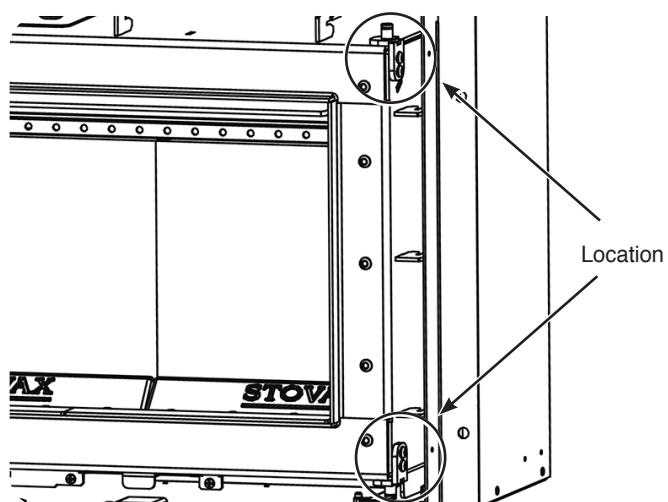
To maintain the safe use of your appliance you may need to adjust the door catch to ensure the safe, correct closing of the door. If the door has been reversed or the door hinges have been adjusted the door catch may need adjustment.

The diagrams show adjustment for a door with hinges on the left. If the door has been reversed the method is the same.

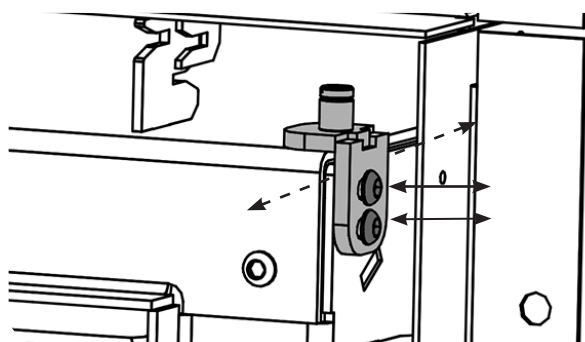
The catches are located at the top and the bottom of the open side of the door.

The top and bottom catches will need to be adjusted separately and in the same manner.

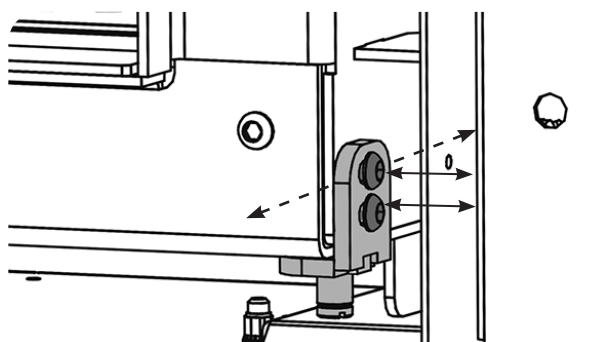
The catch block can move in and out.



TOP CATCH BLOCK



BOTTOM CATCH BLOCK



Loosening or tightening the M6 screw on the catch block will cause the catch to move in or out from the door and allow the hook to gain better purchase on the door rollers.

Do not remove screw completely.

DO A PAPER TEST

To do a paper test shut a piece of paper in the door at the edges to test how well the rope seal stops the air from entering the appliance. If the paper can be pulled out easily then the seal is not sufficient and the rope must be replaced.

Repeat this around all the edges of the appliance.

Technical Appendix

LEGAL REQUIREMENTS

Before installation and/or use of this appliance please read these instructions carefully to ensure that all requirements are fully understood.

The appliance must be fitted by a registered installer*, or approved by your local building control officer.

It is very important to understand the requirements of the national Building Regulations and standards, along with any local regulations and working practices that may apply. Should any conflict occur between these instructions and these regulations then the regulations must apply.

Your local Building Control Office can advise regarding the requirements of the regulations.

Works must be carried out with care to meet the requirements of Health and Safety and comply with the Health and Safety rules, and any new regulations introduced during the lifetime of these instructions. Particular attention should be drawn to:

— **Handling:** The appliance is heavy. Adequate facilities must be available for loading, unloading and on site handling.

— **Fire Cement:** Some fire cement is caustic and must not come into contact with the skin. Protective gloves must be worn. Wash hands thoroughly with plenty of water after contact with skin.

— **Asbestos:** This appliance contains no asbestos. If there is the possibility of disturbing any asbestos in the course of installation seek specialist guidance and use appropriate equipment.

— **Metal Parts:** Take care when installing or servicing the stove to avoid personal injury.

A faulty installation can cause danger to the inhabitants and structure of the building.

For users of this appliance:

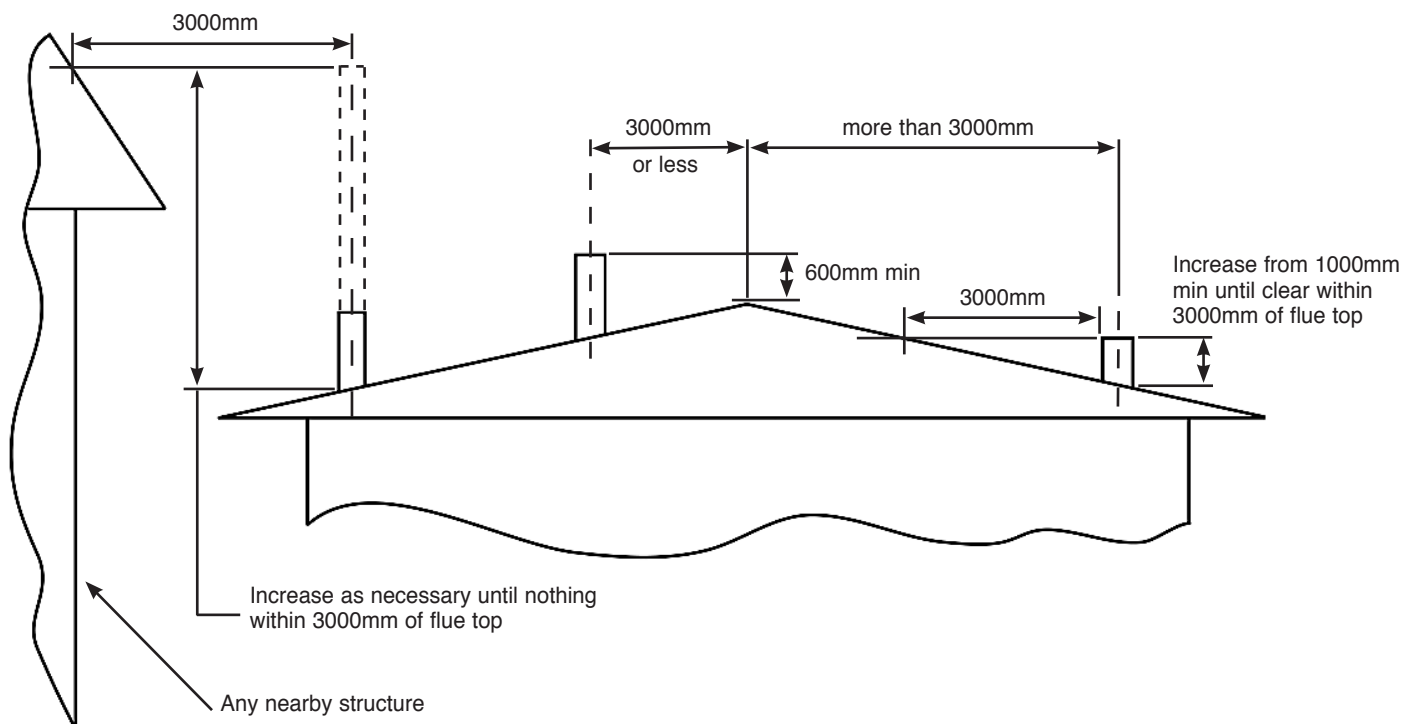
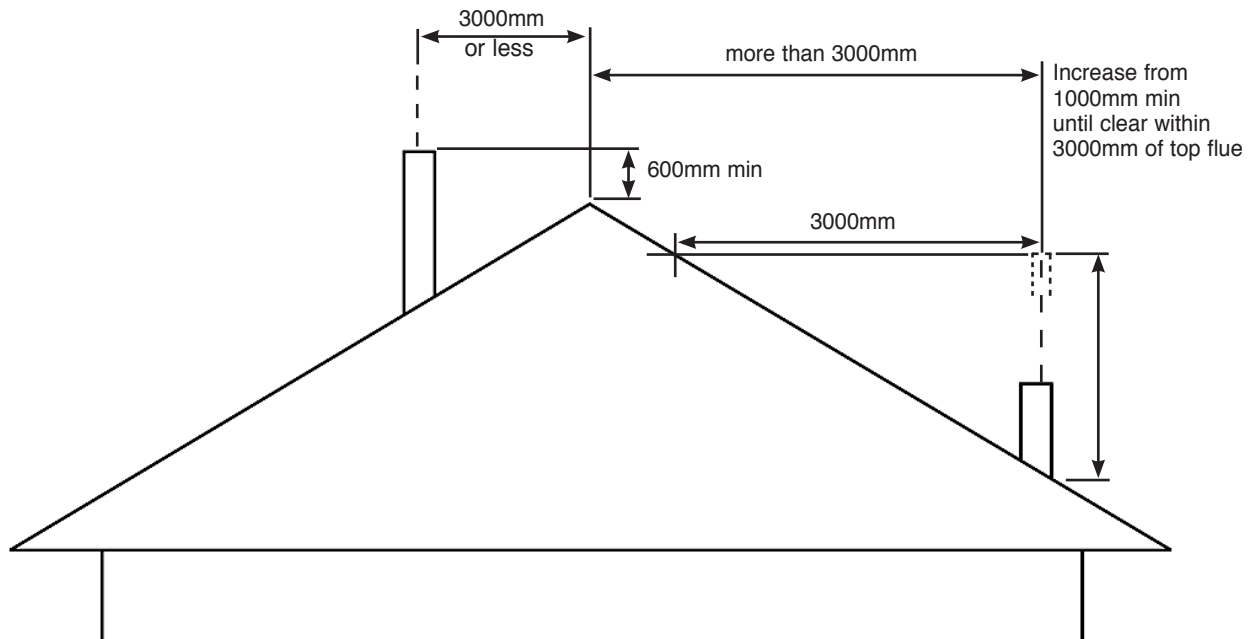
Your building insurance company may require you to inform them that a new heating appliance has been installed on your property. Check that your cover is still valid after installing the appliance.



***Installation is to be completed by a certified Solid Fuel Appliance Installation Technician (SFAIT) as required by the New Zealand Home Heating Association (NZHHA) conforming to AS/NZ 2918:2001.**

FLUE OUTLET POSITIONS

THE FLUE TERMINATION POSITIONS ARE THE MINIMUM REQUIRED AS PER NZS 2918:2001. IT IS POSSIBLE THAT FLUE HEIGHTS MAY NEED TO BE INCREASED AS A RESULT OF CONFLICTING AIR PRESSURE ENVELOPES THAT MAY DEVELOP OVER SOME ROOFLINE SHAPES AND SURROUNDING OBSTRUCTIONS. RESTRICTION INTO CLEAR AIR MOVEMENT OVER ANY ROOF MAY ALSO REQUIRE DIFFERENT COWL DESIGNS, PARTICULARLY FOR HIGH WIND ZONES OR VARYING LOCAL ENVIRONMENT CONDITIONS.



A HANDY RULE OF THUMB :
Terminate all flues a minimum of 600mm above the highest ridgeline of the donor building.

Technical Appendix - Flues

MINIMUM DIMENSIONS - FLOOR PROTECTOR

Also see Page 7 for dimensions.

The appliance must stand on a non-combustible constructional floor protector which is at least 20mm thick with the minimum dimensions as shown in the diagram.

A non combustible constructional floor protector which is at least 20mm thick and positioned as shown on Page 7. Any elevated or cantilevered floor protector must extend the minimum of 670mm from the door opening and a minimum of 200mm each side of the fireplace opening.

The building must have a suitable load-bearing capacity for the floor protector and appliance. Consult a structural technician for advice before proceeding.

When fitting into an existing floor protector check that the floor protector complies with current construction regulations and is at least the minimum sizes shown.

FLUES AND CHIMNEYS

WARNING: THE APPLIANCE AND FLUE-SYSTEM SHALL BE INSTALLED IN ACCORDANCE WITH AS/NZS 2918 AND THE APPROPRIATE REQUIREMENTS OF THE RELEVANT BUILDING CODE OR CODES.

CAUTION: MIXING OF APPLIANCE OR FLUE-SYSTEM COMPONENTS FROM DIFFERENT SOURCES OR MODIFYING THE DIMENSIONAL SPECIFICATION OF COMPONENTS MAY RESULT IN HAZARDOUS CONDITIONS. WHERE SUCH ACTION IS CONSIDERED, THE MANUFACTURER SHOULD BE CONSULTED IN THE FIRST INSTANCE.

The flue or chimney system must be in good condition.
It must be inspected by a competent person and passed for use with the appliance before installation.

Products of combustion entering the room can cause serious health risks.

The following must be adhered to:

AS/NZ 2918:2001:4.9.1

- a) The flue pipe shall extend not less than 4.6m above the top floor protector.
- b) The minimum height of the flue system within 3m distance from the highest point of the roof shall be 600mm above that point.
- c) The minimum height of a flue system further than 3m from the highest point of the roof shall be "a minimum" 1000mm above roof penetration.
- d) No part of any building lies in or above a circular area described by a horizontal radius of 3m about the flue system exit.



A HANDY RULE OF THUMB :
Terminate all flues a minimum of 600mm above the highest ridgeline of the donor building.

N.B. in extreme wind areas it may be necessary to consult your local agent for further technical assistance.

— If flue is concealed in a chase, allow for air vents (2 x 80mm diam. or equivalent) at the highest possible point on the chimney chase or alternatively, allow a min 25mm air space between the casing cover spigot and the outer casing, see page 33.

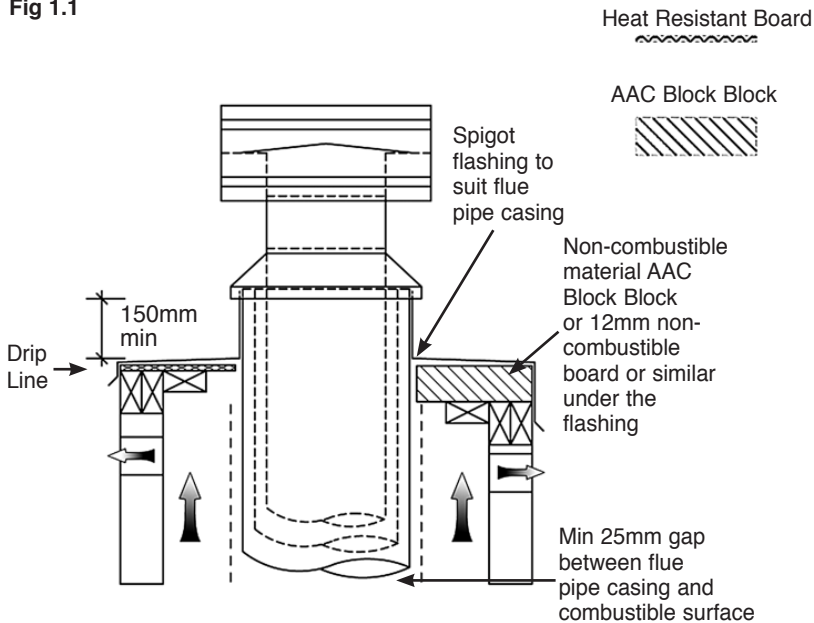
Technical Appendix - Flues

External Requirements

Refer to AS/NZ 2918:2001;4.9.1

Air Ventilation Through Chimney Chase

Fig 1.1

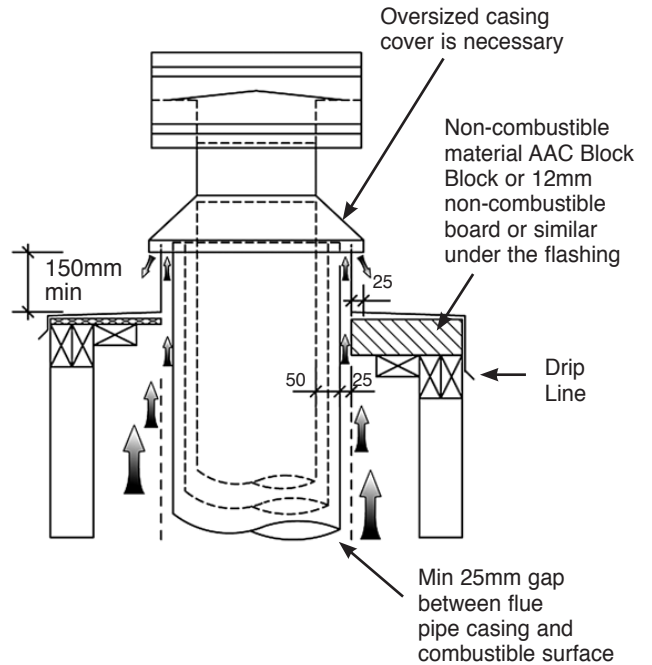


Air Vent

Minimum 2 x 80mm diameter or equal square or rectangle shaped area

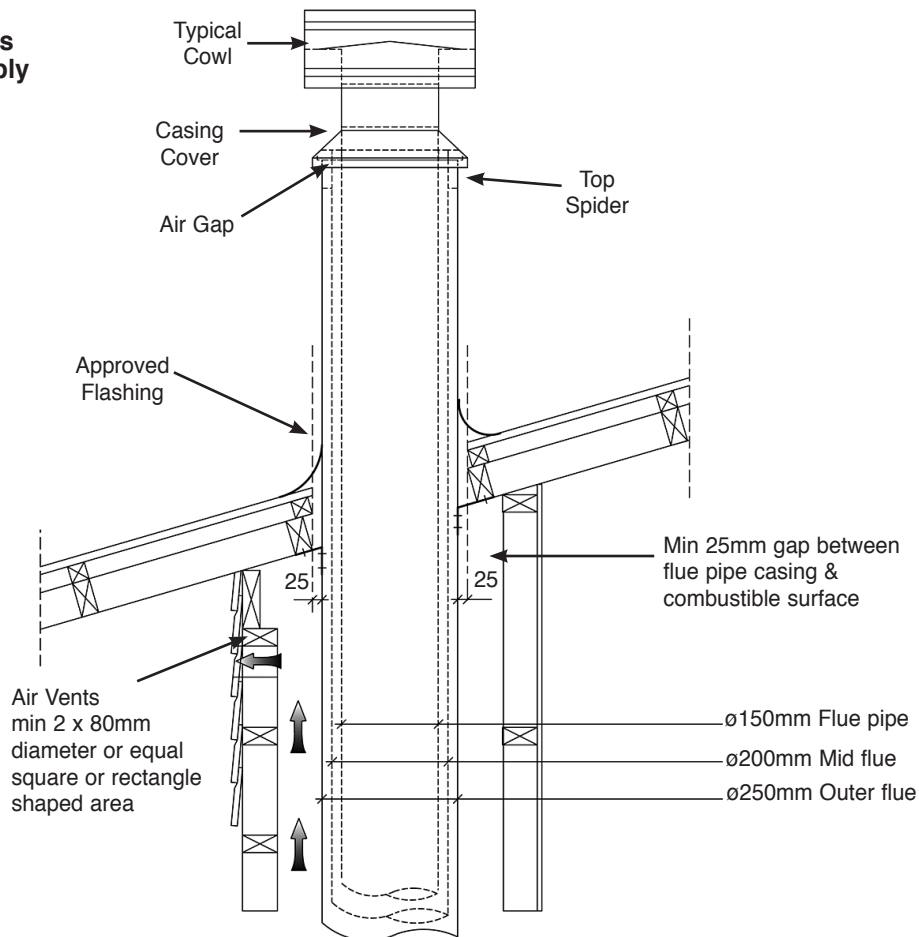
Air Ventilation Through Top Flashing

Fig 1.2



The flue system and its installation must comply with AS/NZS2918:2001

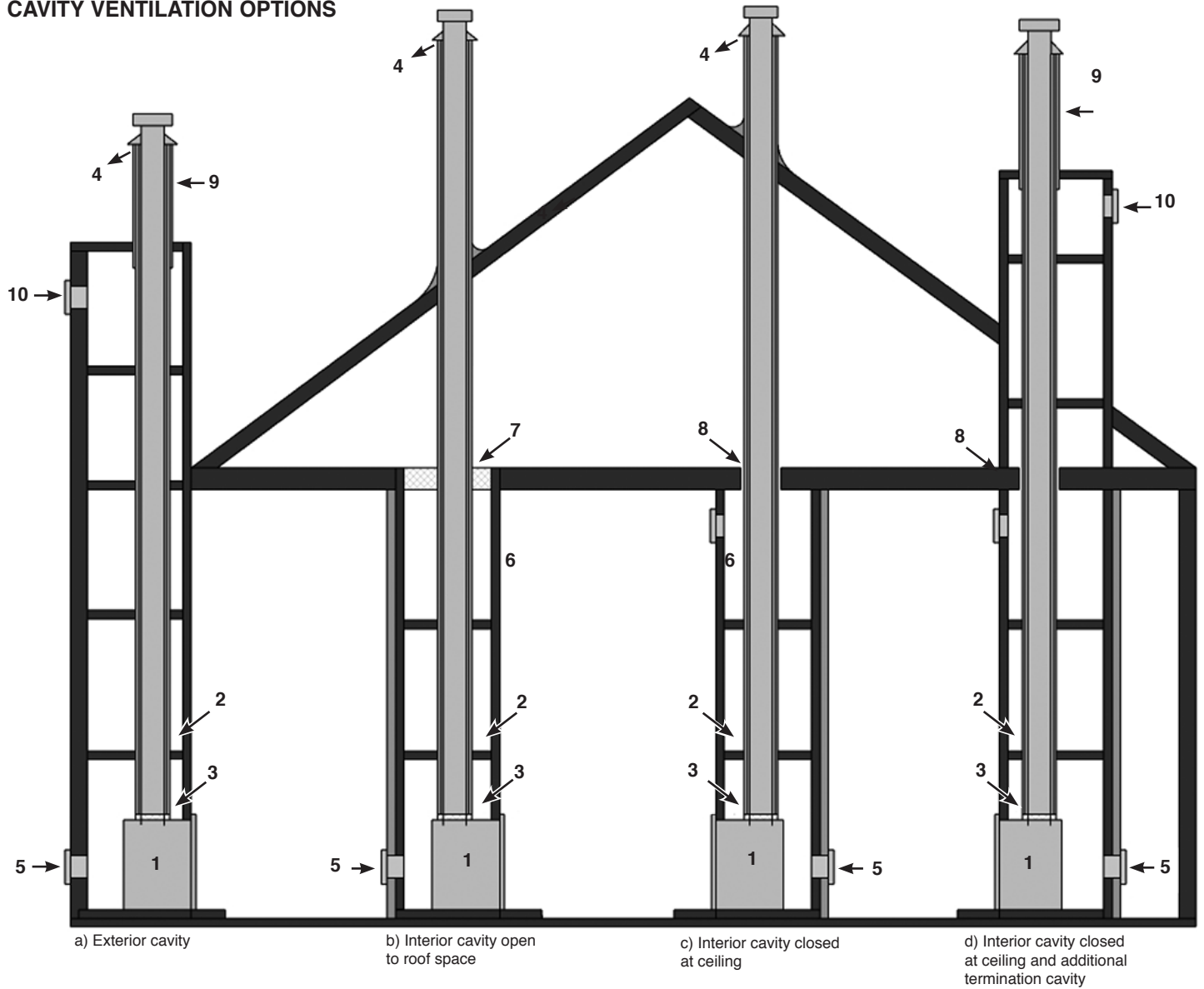
Fig 1.3



Note: All external air vents & ceiling penetrations must be bird & rodent proofed with permanently fixed screens

CAVITY VENTILATION

CAVITY VENTILATION OPTIONS



LEGEND

1. Appliance
2. Vented flue system with 2 casings
3. Flue system air inlet
4. Flue system air outlet
5. Bottom vent –cool air inlet
6. Room vent –interior hot air outlet
7. Ceiling vent –vermin proof mesh
8. Vented ceiling penetration
9. Venting through casing
10. Top side vent to built-in structure

Technical Appendix - Ventilation

AIR REPLACEMENT VENTILATION

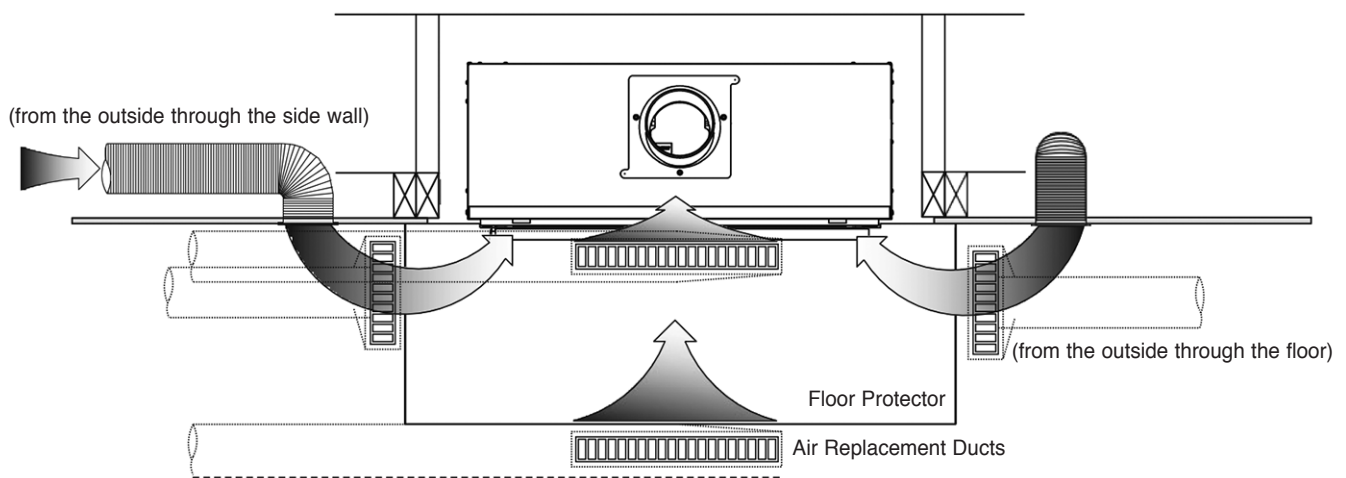
Increase air supply provisions where a room contains multiple appliances. Internal air pressure balance can be critical.

If vents open into adjoining rooms or spaces there must be an air vent of at least the same size direct to the outside.

For REPLACEMENT AIR site the vents where cold draughts is unlikely to cause discomfort. This can be avoided by placing the vents near or close to the appliance and located as close to floor level as possible.

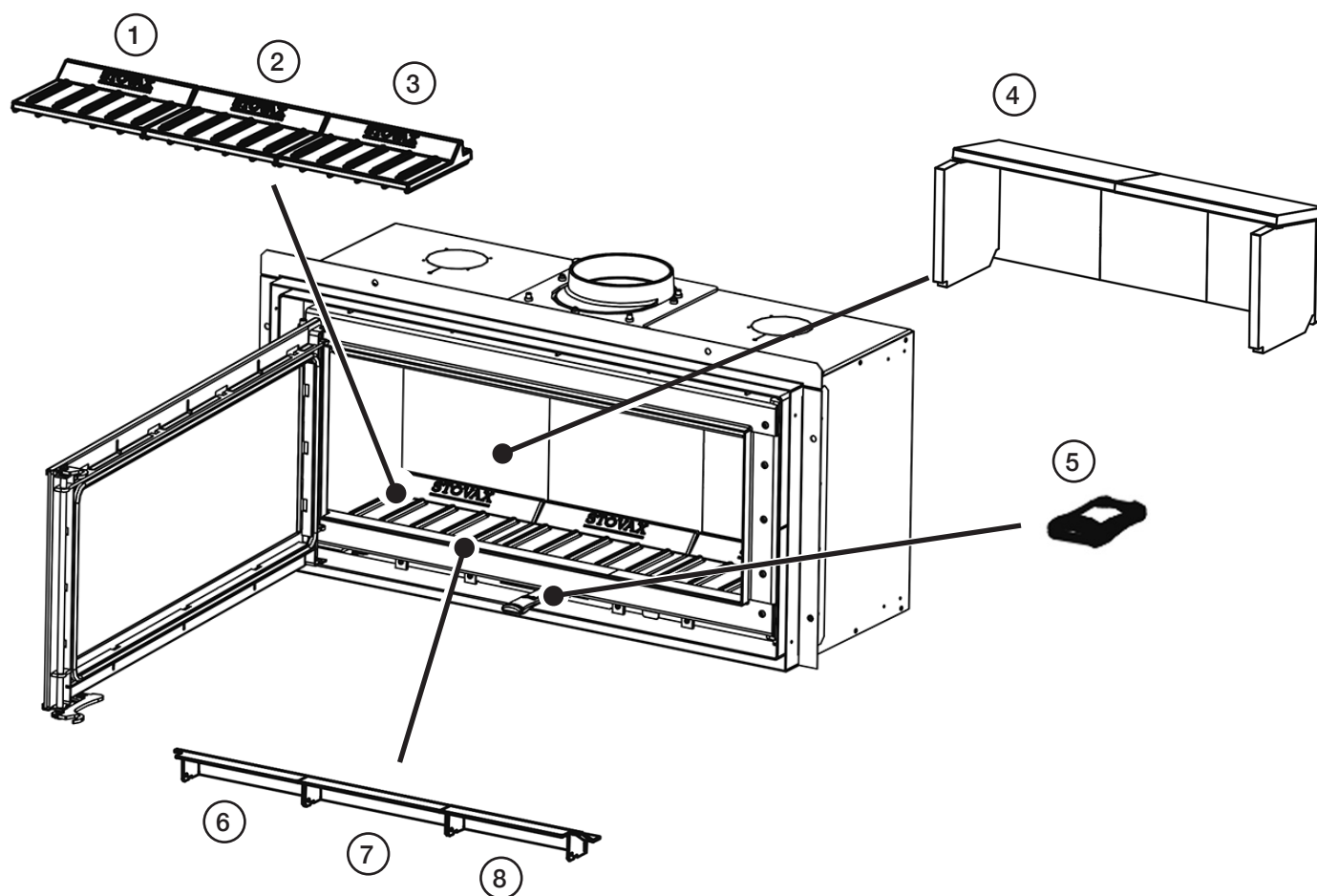
Additional ventilation is required. This must be provided using a permanently open air vent, of the size listed, which is positioned so that it is not liable to be blocked both inside and outside the building.

Minimum recommended air replacement is 2 x 175mm x 175mm or equivalent



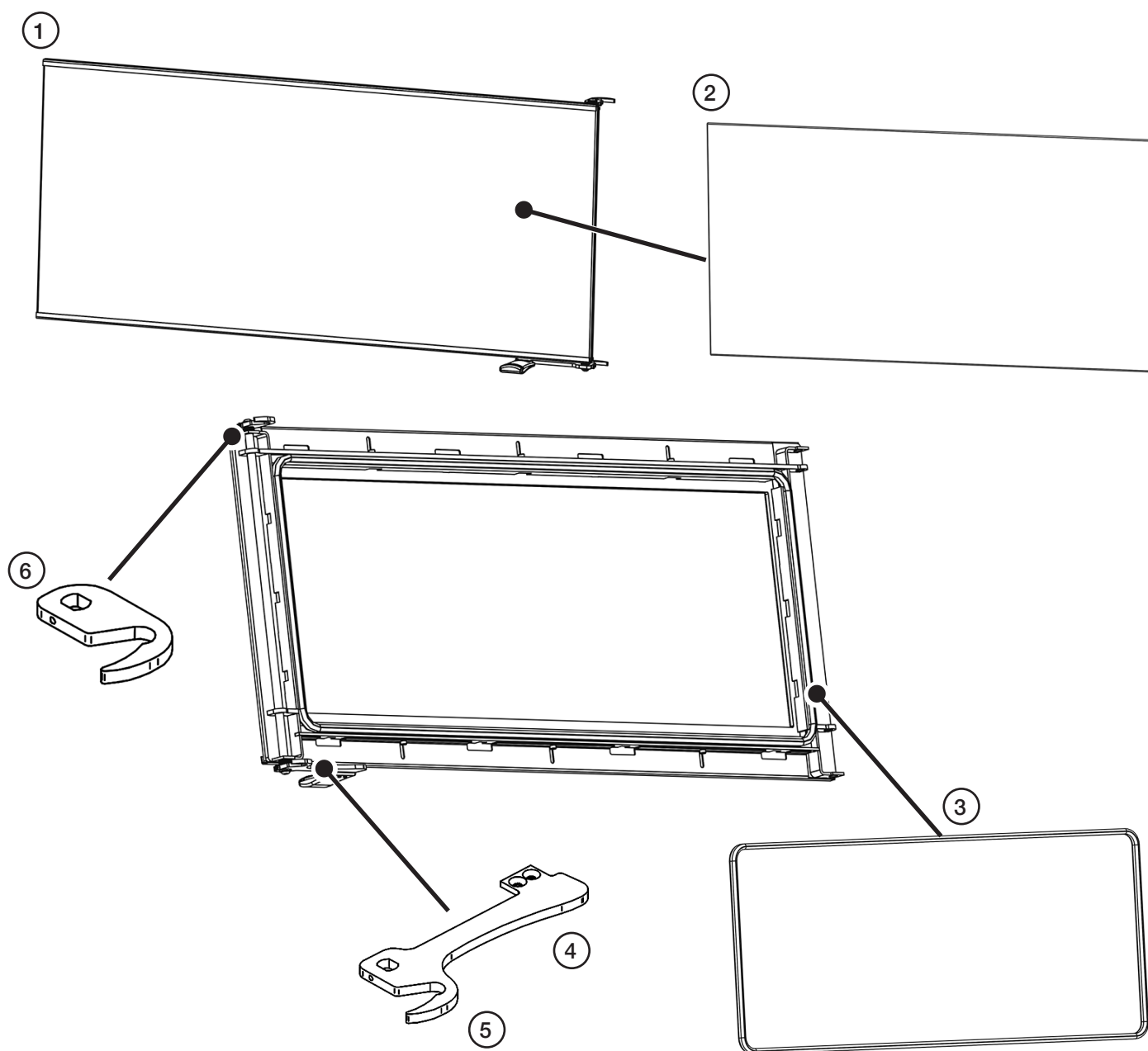
- i** Allowances **MUST** be made for air replacement vents to be located near the fireplace to aid combustion.
A minimum of one pair of air vents is recommended or one large vent.
Allowance is to be made for a minimum of 2 inlet ducts from outside to internal vent location.
Note: DO NOT USE FIREPLACE CAVITY VENTILATION AS A METHOD OF AIR REPLACEMENT.

SPARE PARTS



REF.	DESCRIPTION	CODE
		STUDIO 2
1	Base Brick - Left	CA7897
2	Base Brick - Center	CA7897
3	Base Brick - Right	CA7897
4	Upper Brick Set	MEC11407
5	Handle	CA7919
6	Ashlip - Left	MEC11932
7	Ashlip - Center	MEC11914
8	Ashlip - Right	MEC11933

SPARE PARTS



REF.	DESCRIPTION	CODE
		STUDIO 2
1	Complete Door Assembly	MEC11978
2	Door Glass	CE8375
3	RopeSeal	4999
4	Door Handle Latch	ME602440
5	Reversible Door Handle Latch	ME602328
6	Top Catch	ME602439

SERVICE RECORDS

1ST SERVICE

Date of Service:.....
Next Service Due:.....
Signed:.....
Dealer's Stamp/SFAIT Registration Number/ AHHA
License Number

3RD SERVICE

Date of Service:.....
Next Service Due:.....
Signed:.....
Dealer's Stamp/SFAIT Registration Number/ AHHA
License Number

5TH SERVICE

Date of Service:.....
Next Service Due:.....
Signed:.....
Dealer's Stamp/SFAIT Registration Number/ AHHA
License Number

7TH SERVICE

Date of Service:.....
Next Service Due:.....
Signed:.....
Dealer's Stamp/SFAIT Registration Number/ AHHA
License Number

9TH SERVICE

Date of Service:.....
Next Service Due:.....
Signed:.....
Dealer's Stamp/SFAIT Registration Number/ AHHA
License Number

2ND SERVICE

Date of Service:.....
Next Service Due:.....
Signed:.....
Dealer's Stamp/SFAIT Registration Number/ AHHA
License Number

4TH SERVICE

Date of Service:.....
Next Service Due:.....
Signed:.....
Dealer's Stamp/SFAIT Registration Number/ AHHA
License Number

6TH SERVICE

Date of Service:.....
Next Service Due:.....
Signed:.....
Dealer's Stamp/SFAIT Registration Number/ AHHA
License Number

8TH SERVICE

Date of Service:.....
Next Service Due:.....
Signed:.....
Dealer's Stamp/SFAIT Registration Number/ AHHA
License Number

10TH SERVICE

Date of Service:.....
Next Service Due:.....
Signed:.....
Dealer's Stamp/SFAIT Registration Number/ AHHA
License Number



Head Office & Showroom
12 Tawari Street
Mt Eden, Auckland, New Zealand
+649 623 6990
thefireplace.co.nz

Manufactured by

Stovax Ltd, Falcon Road, Sowton Industrial Estate, Exeter, Devon, England EX2 7LF
Tel: (01392) 474011 Fax: (01392) 219932 E-mail: info@stovax.com
www.stovax.com E & O E

A member of the Stovax Group
Adapted from Issue 4 of PM1636



PM2018