



JETMASTER ALFRESCO 1050G OUTDOOR FLUELESS GAS FIRE INSTALLATION INSTRUCTIONS FOR TIMBER FRAMED INSTALLS AND/OR MASONRY SURROUNDS

The Jetmaster ALFRESCO 1050G OUTDOOR FLUELESS GAS FIRE is comprised of:

- The firebox is flueless and is designed for **outdoor recreational use only**
- Stainless Steel gas burner (Natural Gas or LPG) supplied complete with manual ignition and flame control plus black coals and a vermiculite fuel bed
- A detachable Stainless Steel weather cover plate
- The pilot assembly is provided with a weather shield

ALL INSTALLATIONS MUST COMPLY WITH THE AS/NZS 5601.1:2013 AND ALL RELEVANT GAS INSTALLATION STANDARDS AND LOCAL AUTHORITY BYLAWS.

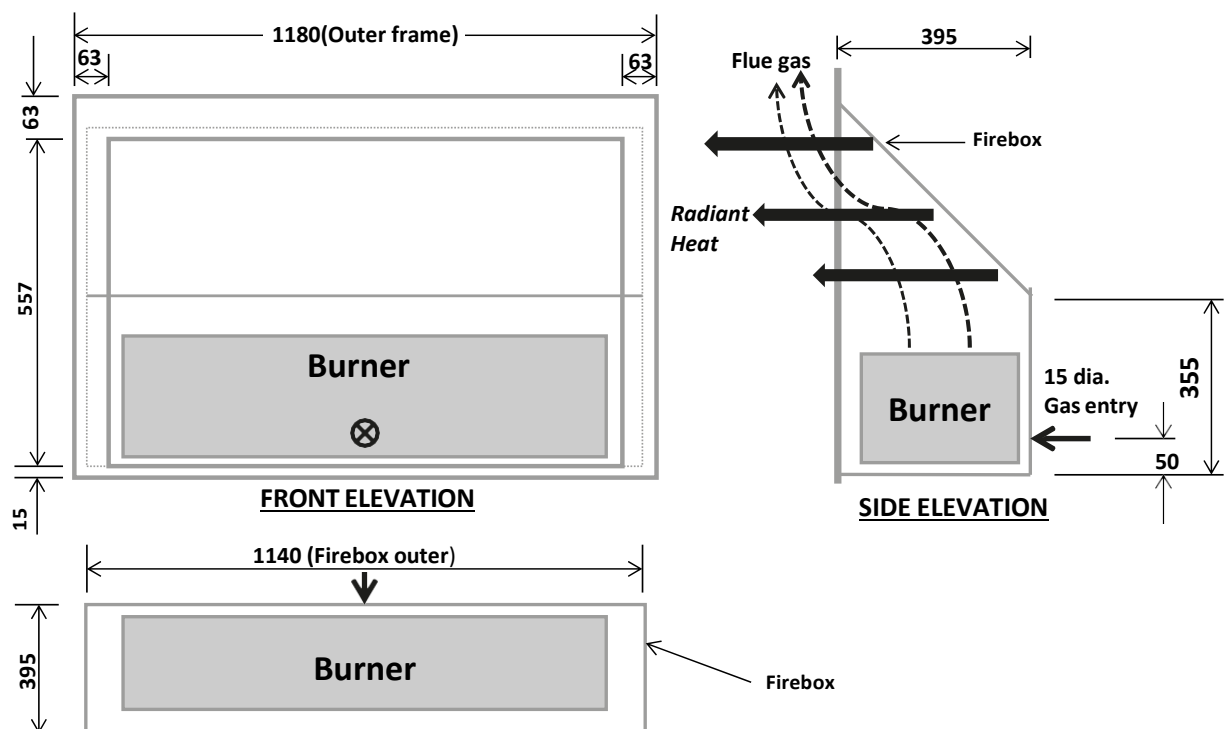
The Fireplace Ltd reserves the right to change all content contained herein and is subject to change without notice.

WARNING

THIS FIRE MUST NEVER BE USED INDOORS OR FOR ENCLOSED OUTDOOR SITUATION

Jetmaster 1050G Flueless Fire Outdoor

Fig. 1



Product Description

The installation of the Alfresco 1050G is designed to be fitted directly into an AAC Block heat cell when installed into a timber framed out cavity. **Cavity must be vented.**

For a Masonry installation where no combustibles are present within 200mm of the firebox sides or back and 600mm above the front or top of the firebox, the masonry enclosure opening may be set up dimensionally to take the firebox as an insert.

Ventilate any cavity top (x 2) and bottom (x 2) with vents 100mm dia each to the outside of the cavity and hebel cell. Vent openings to be bird and vermin proofed. Vents must be circulating air from and to the exterior of the cavity (not to an indoor area).

Firebox - The firebox is basically rectangular in shape with a sloping rear back plate to provide reflective heat and to assist the migration of burner gases to the top of the firebox, exiting at the underside of the top frame section.

The fascia frame on the sides and top are 63mm in width. The frame is constructed from heavy duty 5mm Stainless Steel. The bottom frame is 15mm in width and is a strengthening stiffener as well as a finishing detail.

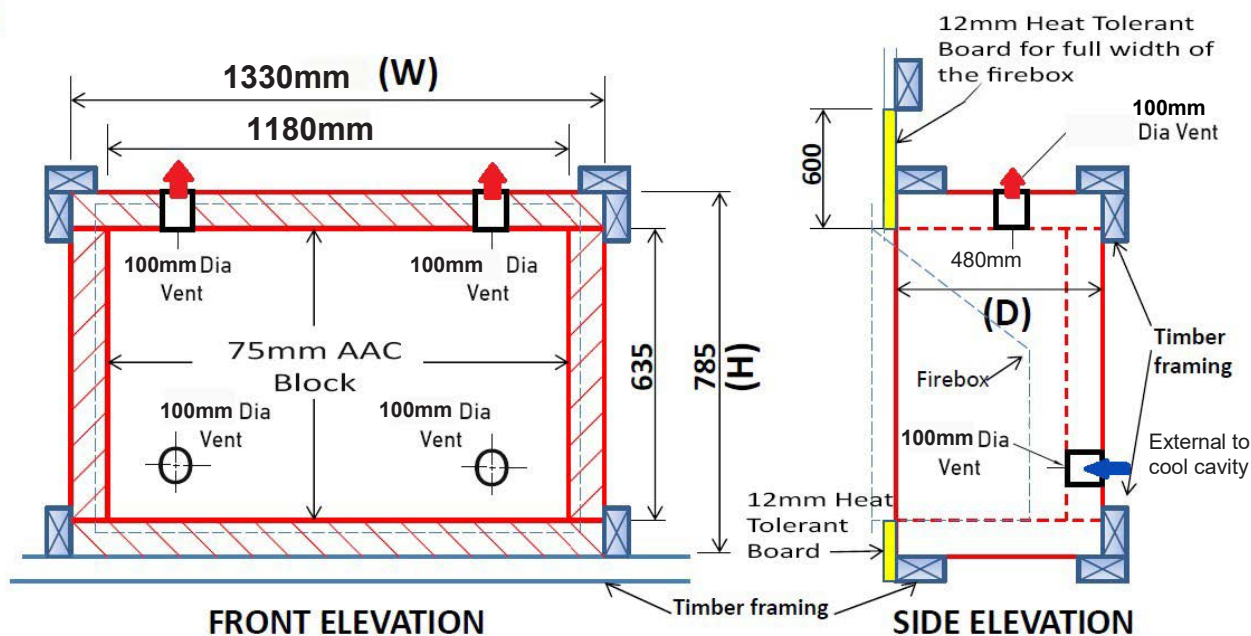
The burner is a standard Jetmaster 1050 SFB constructed entirely of Stainless Steel including the burner frame, front panel and cover plate (but excluding the valve and operating components of the burner). Operation of the burner is manual ignition and flame control, with a standing pilot. Electronics are not offered on outdoor fires in the interests of durability and simplicity.

Jetmaster Alfresco Outdoor Flueless Gas Fire AAC Block Heat Cell

The 75mm AAC Block Heat Cell to contain the firebox, is able to be in contact with timber framing on the base sides and rear of the firebox. The exception being that no timber or combustible materials is located within 600mm of the top outer face above the firebox.

THE CAVITY MUST BE WELL VENTED. EXTERNAL AIR REQUIRED TO COOL THE CAVITY AND THE WARM AIR MUST BE RELEASED BACK OUTSIDE.

Fig. 3



Installation Instructions for a Timber Frame out

Build the timber frame out for the AAC Block Heat Cell to the following internal clear dimensions (this can be either at floor level or at an elevated level above floor level) as shown on Fig. 3 **W = 1330mm H = 785mm D = 480mm**

The following installation sequence should follow:

- Line the interior framing with 75mm thick AAC Block panels cut to the below sizes. Secure AAC Block to timber framing. Glue panels on abutting faces. Ensure all joints are completely sealed particularly where timber framing is in close proximity. AAC Block sizes are;
Base 1330 x 450 : Rear panel 1330 x 635 : Side panels 2 x 635 x 375 : Top 1330 x 450

- Ensure any timber framed cavity where the heat cell is built into is ventilated through the bottom and out the top with a minimum of 2 x 100mm dia. sized vents. Vents in the framed cavity to be bird and vermin proofed. Low placed vents must bring cool external air into the cavity and the top vents must release the warm air back outside.
- A floor protector (hearth) is not required for a timber deck in front of the fire.
- Slide the Jetmaster 1050G firebox into place inside the AAC Block Heat cell, ensuring it is centralised. Take note that the thickness of the outer surface material must be taken into consideration and allowed for before the firebox is secured to the AAC Block base and framing.
- Secure the firebox in place with 4 x Stainless Steel tecscrews or similar into the underlying AAC Block base/timber framing as earthquake restraints.
- The firebox has a 15mm dia. gas entry hole located on the left and right side situated 50mm above the base.
- Fit the gas burner, ensure the front legs are screwed to the firebox to secure the burner in place, connect the gas and place the synthetic coals on the vermiculite bed. Arrange the base coals approx 15mm apart and top off with coals randomly placed to suit. Adjust the position of any hot coals using long handled tongs.
- Finally, commission the fire. Ensure the pilot weather shield is in place over the pilot assembly.

For installation into a total masonry construction (Masonry block, AAC Block, Brick, Concrete or similar)

- Fit the Stainless Steel weather cover

Assembly details are similar to those used for the timber frame out (as above) with the following exceptions:

- The firebox must be totally contained within a masonry or non-combustible enclosed heat cell devoid of any combustible material.
- Heat Tolerant Board finishing around the fire opening is not required for an installation into a masonry or concrete cell.
- ENSURE NO COMBUSTIBLE MATERIALS ARE LOCATED WITHIN 600mm above the fireplace opening, irrespective of whether installed into a timber frame out or masonry heat cell.
- A floor protector is not required for any installations above a timber floor.
- The Jetmaster Alfresco Gas 1050G Outdoor Gas fires are supplied standard with a Stainless Steel weather cover that fits within the front opening of the firebox and held on with magnets.

Specifications

Synthetic Coals on a vermiculite bed.

Piezo (manual) Ignition / Manual flame control

Gas Burner consumption:

Natural Gas 78 Mj/hr (High) - 60 Mj/hr (Low) LPG 70 Mj/hr (High)-46 Mj/hr (Low)

Jet sizes: Natural Gas 2 x 2.3mm LPG 3 x 1.5mm

Operating Pressures: Natural Gas 1.0 kPa (High) LPG 1.70kPa (High)

Supply Pressures: Natural Gas 1.5-2.5kPa LPG 2.75-3kPa

Covered and partially enclosed outdoor areas must meet the minimum permanent ventilated requirements outlined in AS/NZS5601.1.2013 Appendix I

Total permanent ventilated area must be a minimum of 25% of total wall area (open side) and 30% or more in total of the remaining wall area is open and restricted

