



**TYPICAL JETMASTER IN-BUILT TIMBER FRAME & MASONRY
FIREBOX INSTALLATION INSTRUCTIONS FOR
SOLID FUEL BURNING OR INDOOR GAS BURNERS**



IMPORTANT: Read all instructions carefully before starting installation. Failure to follow these instructions may result in a fire hazard and will void the warranty.

Due to continued product improvement, The Fireplace Ltd reserves the right to change product specifications without prior notification. Please check to ensure you have the latest installation instructions.

CONTENTS

Before you start - IMPORTANT.....	3
Firebox Dimensions	4
Timber Cavity Framing Dimensions	4
Margins & Heat Shield	5
Firebox Installation	6
Gas Requirements	6
Plan & Section Drawing	7
Plan & Section Recessed Drawing	8
Masonry Cavity Dimensions	9,10
Solid Fuel – Flue Installation	12
Gas - Flue Installation	13
Flue Penetration & Chimney Chase Air Venting	14
Floor Protector Requirements	15,16
Mantel Requirements	17

IMPORTANT

AS/NZS2918:2001 GENERAL NOTES – SOLID FUEL

THE APPLIANCE AND FLUE SYSTEM SHALL BE INSTALLED IN ACCORDANCE WITH AS/NZS2918 AND THE APPROPRIATE REQUIREMENTS OF THE RELEVANT BUILDING CODE OR CODES. **FLUE SYSTEM MAY REQUIRE TO BE DOUBLE LINED TO COMPLY. REF. AS/NZS2918:2001 4.3 FLUE PIPE CASING**

MIXING OF APPLIANCE OR FLUE SYSTEM COMPONENTS FROM DIFFERENT SOURCES OR MODIFYING THE DIMENSIONAL SPECIFICATION OF COMPONENTS MAY RESULT IN HAZARDOUS CONDITIONS. WHERE SUCH ACTION IS CONSIDERED, THE MANUFACTURER SHOULD BE CONSULTED IN THE FIRST INSTANCE.

CRACKED AND BROKEN COMPONENTS, e.g. GLASS PANELS OR CERAMIC TILES, MAY RENDER THE INSTALLATION UNSAFE.

DO NOT USE FLAMMABLE LIQUIDS OR AEROSOLS TO START OR REKINDLE THE FIRE OR IN THE VICINITY OF THIS APPLIANCE WHEN OPERATING.

DO NOT STORE FUEL WITHIN HEATER INSTALLATION CLEARANCES.

WHEN OPERATING THIS APPLIANCE AS AN OPEN FIRE USE A FIRE SCREEN.

THIS APPLIANCE SHOULD BE MAINTAINED AND OPERATED AT ALL TIMES IN ACCORDANCE WITH THESE INSTRUCTIONS.

USE OF SOME TYPES OF PRESERVATIVE-TREATED WOOD AS A FUEL CAN BE HAZARDOUS.

IF INSTALLED IN A COMMERCIAL SETTING A SACRIFICIAL PLATE MUST BE FITTED TO THE BACK OF THE FIRE TO COMPLY WITH JM FIREBOX WARRANTY CONDITIONS.

THE FLUE SYSTEM SHOULD BE CLEANED EVERY 12 MONTHS.

AS/NZS5601:2013 GENERAL NOTES – GAS

THE APPLIANCE AND FLUE SYSTEM SHALL BE INSTALLED IN ACCORDANCE WITH AS/NZS5601:2013 , AS/NZS 5263:2017 and THE APPROPRIATE REQUIREMENTS OF THE RELEVANT BUILDING CODE OR CODES.

DO NOT USE FLAMMABLE LIQUIDS OR AEROSOLS IN THE VICINITY OF THIS APPLIANCE WHEN ITS OPERATING.

THIS IS PRIMARILY A DECORATIVE APPLIANCE. IT IS NOT CERTIFIED AS A SPACE HEATER.

EACH UNIT IS DESIGNED FOR USE ONLY WITH THE TYPE OF GAS FOR WHICH IT IS INTENDED. **LPG OR NG**

THE GAS BURNER SHOULD BE SERVICED EVERY 12 MONTHS

WARNING: IF A GAS SMELL IS DETECTED, IRRESPECTIVE OF WHETHER THE UNIT IS IN OPERATION OR SWITCHED OFF, ACTION MUST BE TAKEN IMMEDIATELY! SWITCH THE UNIT OFF!

SHUT DOWN THE GAS SUPPLY TO THE UNIT AT THE VALVE! CONTACT A GAS FITTER!

THE JETMASTER UNIT IS TO BE INSTALLED BY A CERTIFIED FIREPLACE INSTALLER , APPROVED NZHHA INSTALLATION TECHNICIAN OR A CERTIFIED GAS FITTER



Head Office & Showroom
12 Tawari St, Mt Eden, Auckland
Ph: 09 623 6990
thefireplace.co.nz

JETMASTER FIREBOX DIMENSIONS

Table 1

MODEL	A	A1	A2	B	C	D	E	F	Y	Off-set Gather	Indoor Gas Burner
700	700	800	750	400	700	225/325	200	680	295	395	Yes
850	850	950	900	450	700	250/350	220	680	322	422	Yes
1050IGC **	1050	1150	1100	335	650	250/300	240	630	250	445	Yes
1050LL	1050	1150	1100	500	700	300/400	240	680	345	445	Yes
1050U	1050	1150	1100	500	800	300/400	240	780	345	445	-
1200 *	1200	1300	1250	600	1020	400/500	400	1000	435	-	-
1500 *	1500	1600	1550	600	1020	450/550	410	1000	435	-	-

* Twin flue gather available **1050IGC Box is **ONLY** for gas installations

Fig. 2

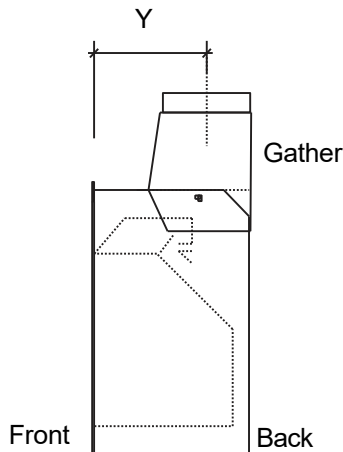
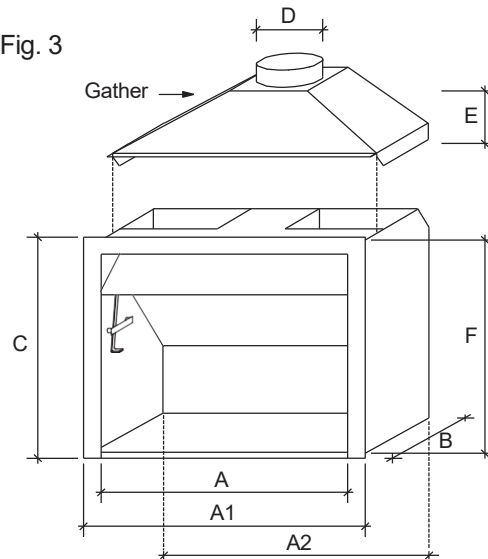


Fig. 3

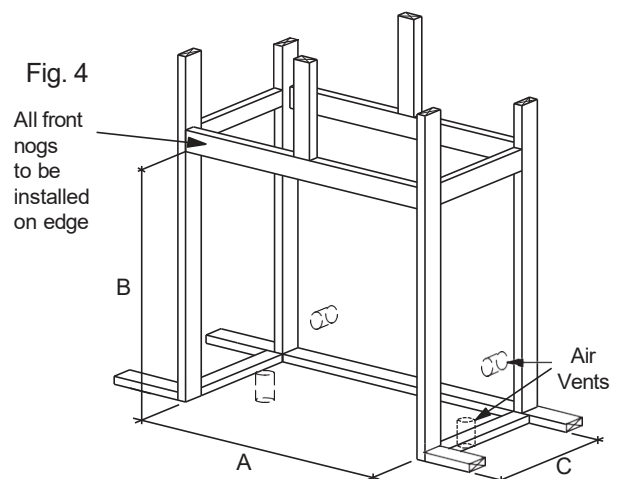


TIMBER FRAME DIMENSIONS

Table 2

MODEL	A	B	C
700	960	1200	525
850	1110	1200	560
1050 IGC	1310	1200	450
1050 LL	1310	1350	610
1050 U	1310	1450	785
1200	1500	1620	785
1500	1800	1620	810

Fig. 4



Please note that these dimensions (based on Hebel Block margins) are the absolute minimum sizes - widths (A & C) maybe increased if desired.

It is important to ensure the Jetmaster firebox is seated on top of the finished floor protector level.

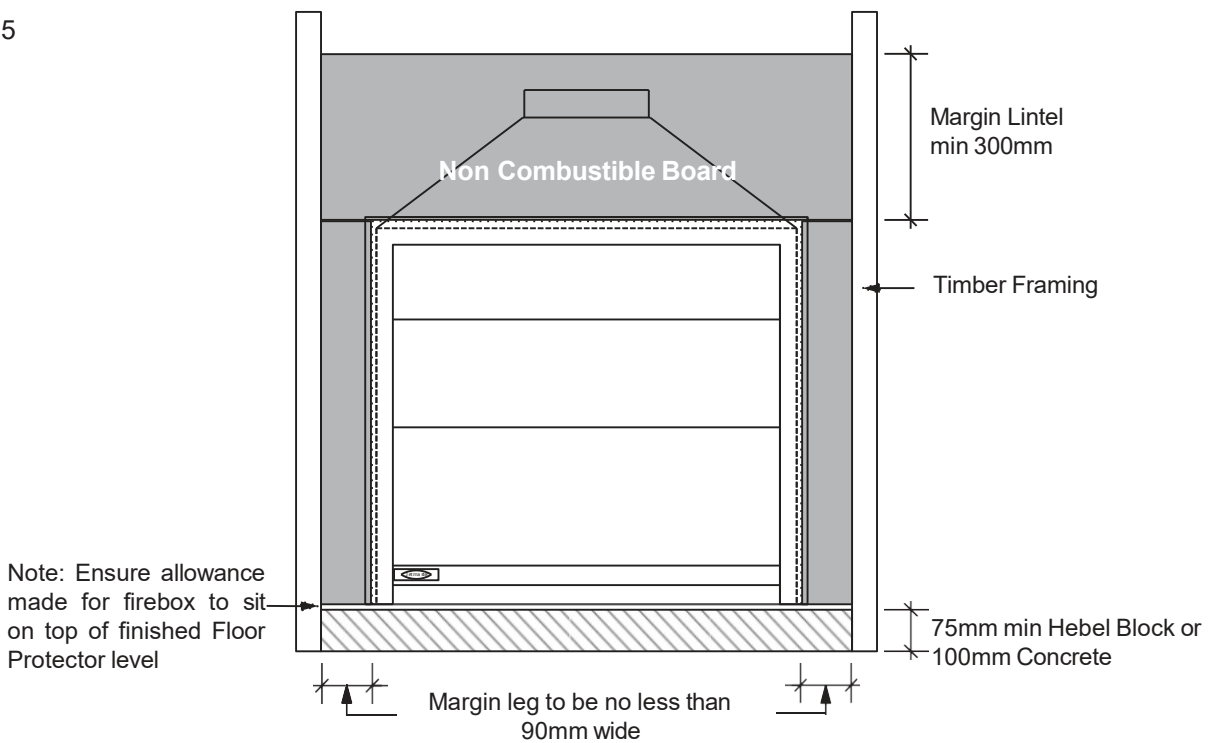
All Hebel Block margins have been made to fit firebox timber frame trim out dimensions (see Table 2).
Suggested method to cut Hebel Block - skill saw fitted with masonry blade.

Under no circumstance is the width of the vertical margin legs to be less than 90mm and the height of the margin lintel to be less than 300mm (see Fig 5).

Where an internal wall board finish is required around the fire, ensure allowance is made to place non-combustible internal wall lining (eg: Promatect H) to cover the extent of the Hebel panel surround (shown shaded). Directly touching the firebox with any board or plaster finish will cause cracking from heat expansion. Allow 2mm minimum space away from the firebox.

Bond Hebel Block together using appropriate adhesive eg: Gorilla Grip or similar (non-solvent based) & secure with screws for added strength

Fig. 5



METAL HEAT SHIELD

Available for the 700, 850 and 1050 firebox **Hebel power panel enclosure required for the 1200 and 1500 firebox.**

Fig. 6

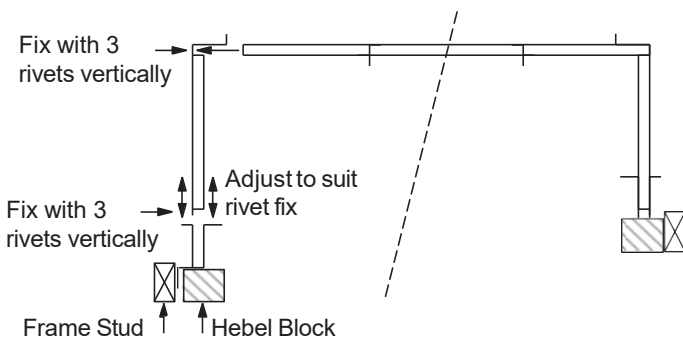
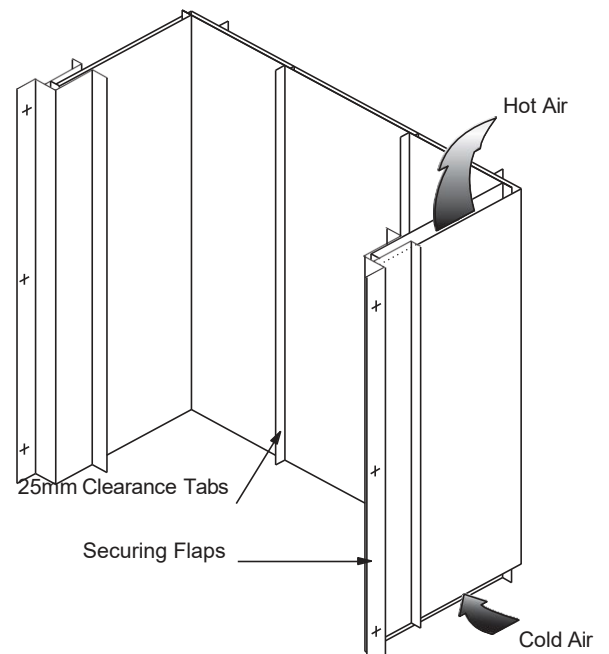


Fig. 7



Refer to the minimum framing dimensions as per table 2. Allow a temporary lintel height (see table 2 'B') from the finished floor protector level until the firebox and flue system is installed. Install front nogs on edge to increase chimney chase dimension.

Ensure suitable air vents (2 x 80mm diameter or equivalent) in place to vent firebox space - these may be located in the floor or in the side wall space. Ensure vents must be bird and vermin proofed.

Note: Wood Installations can be converted to Gas at a later date. or have a gas ignition system fitted. Consider running a gas supply to firebox cavity at the time of construction.

FIREBOX INSTALLATION

1. All dimensions shown for the framing trim out and metal heat shields, are based on a maximum frontal clearance between the timber framing and the rear of the firebox fascia, **being not more than 15mm.**
2. Locate floor protector in trim out cavity. If on a concrete floor, suggest a mortar screed to the underside of the floor protector. If on a wooden floor, screw or dynabolt in place.
3. Locate stud openings on both sides.
4. Position and ensure a strip of glass rock wool insulation is between the inner hebel leg face and the firebox. Nail through stud into hebel leg to secure in place.
5. Locate and position firebox, fit and seal gasket in cavity (refer to Cross Section). Earthquake restraints may be positioned by drilling through firebox into the floor protector, in a position midway beneath the log-pan. Two 12mm dynabolts or similar will suffice. Do not over tighten and deform firebox.
6. Attach rock wool to the sides & back of the firebox and gasket. **DO NOT BLOCK OFF** the air entry between the inner flue pipe and flue pipe casing or the air circulation between the vent holes in the cavity.
7. Once the flue system is installed, place a minimum 300mm hebel block over the top of the firebox (see Fig. 8). **Ensure the hebel block does not rest on top of the firebox.** A Lintel Bar may be required.

FIREBOX INSTALLATION – GAS REQUIREMENTS

Please refer to the gas burner instructions supplied with the burner for full installation of the gas burner.

1. Before installing the fire box please drill a hole on the bottom right hand side of the fire box to allow for the gas pipe to be connected to the burner.
2. Location of the hole should align with the gap between the gas grate's supporting legs.
3. The gas supply pipe enters the firebox above the base plate to terminate under the gas burner where it can be connected to the gas valve.

IMPORTANT : REMOVE THE DAMPER BLADE FROM THE FIREBOX

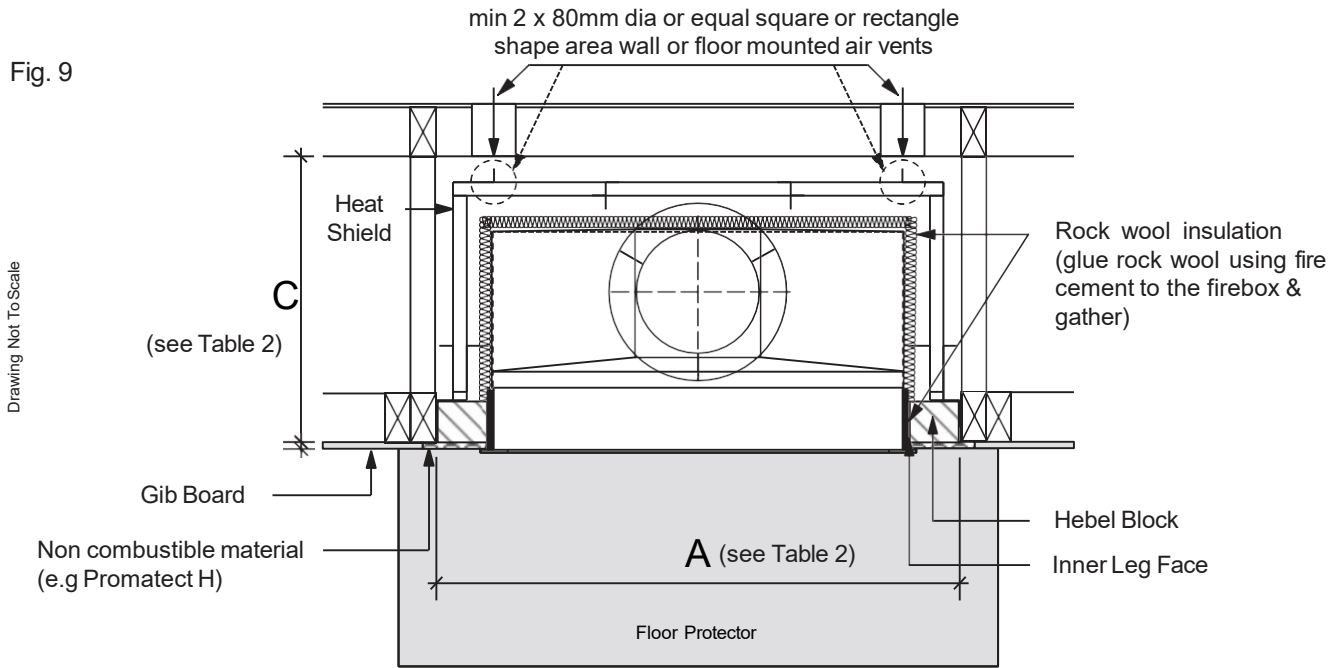
1. Unscrew the two friction bar adjustment nuts on the left hand side of the firebox and remove the friction bar.
2. To remove the Damper Blade, push the right hand side of the blade up and move the damper blade slightly to the right to disengage the location bar on the left hand side of the damper blade, then slowly drop the blade down and remove it.

IMPORTANT: GAS LEAKS

1. It is important to ensure that there are no gas leaks before commissioning the burner. It is the responsibility of the gas installer to ensure that a leak testing method, suitable for the specific installation is being used.
2. Before commissioning, gas leaks can be detected only between the supply point and the inlet to the appliance. Once the appliance is operational, an additional check must be done for leaks inside the appliance.

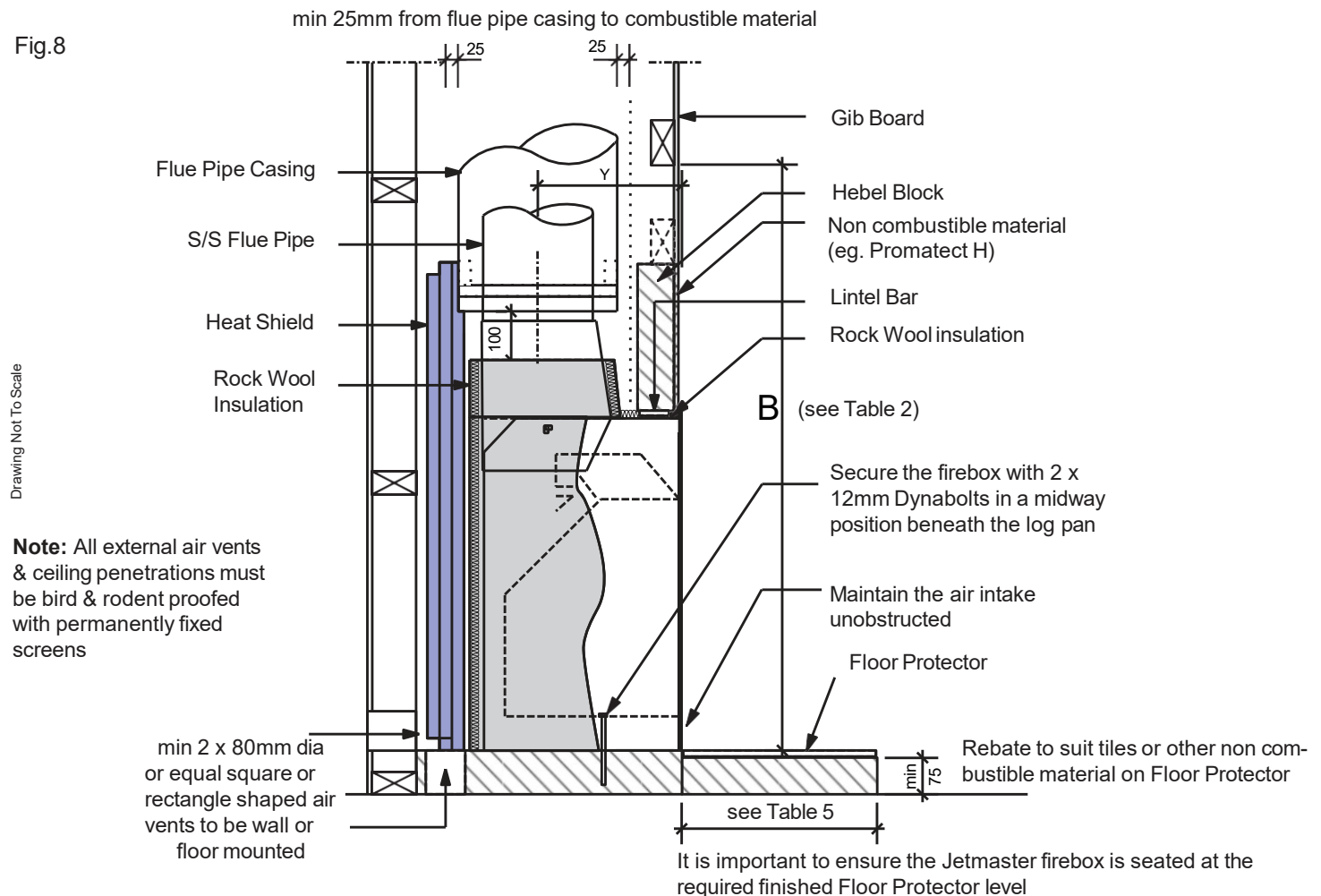
NOTE: GAS INSTALLATIONS CAN NOT BE CONVERTED TO WOOD BURNING AT A LATER DATE

Fig. 9



TIMBER FRAME CROSS SECTION

Fig.8

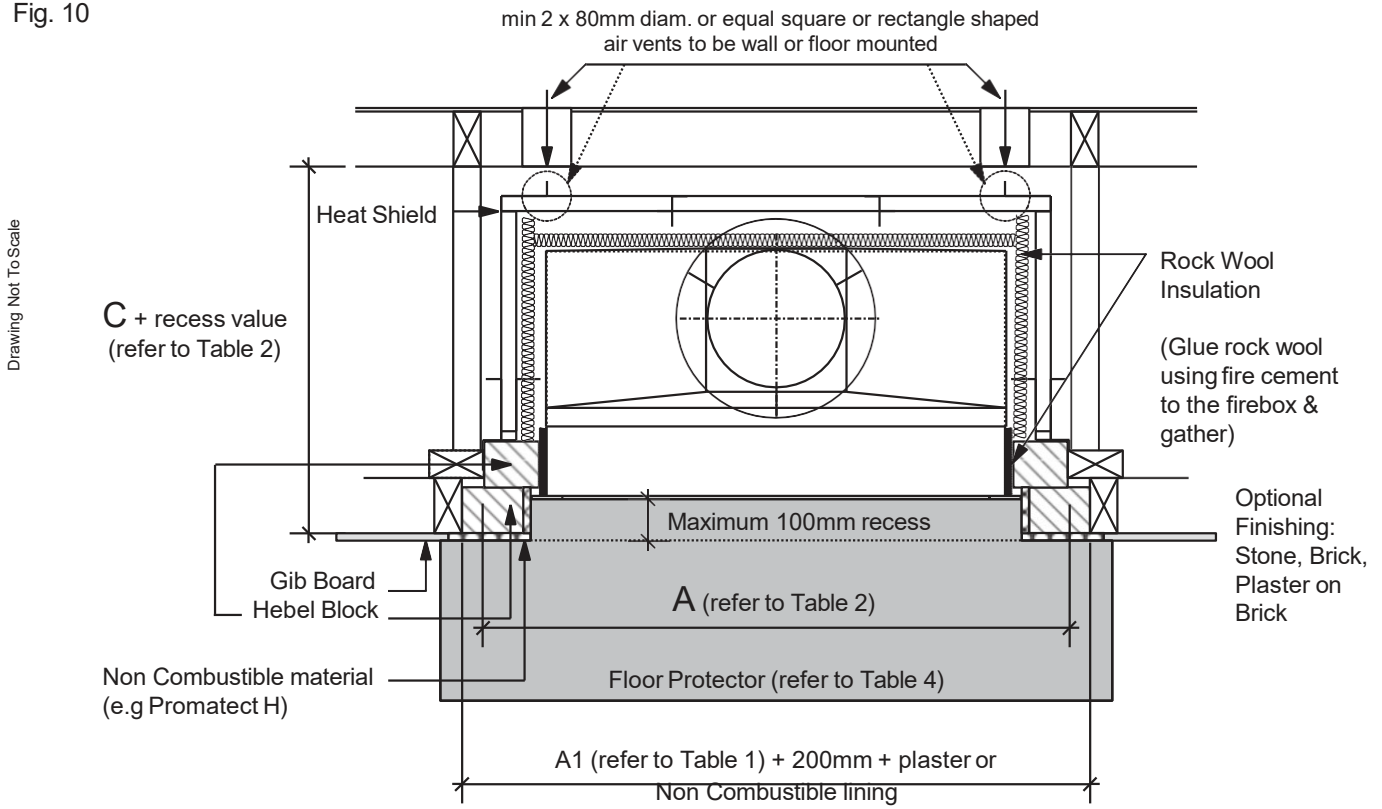


Note: All external air vents & ceiling penetrations must be bird & rodent proofed with permanently fixed screens

It is important to ensure the Jetmaster firebox is seated at the required finished Floor Protector level

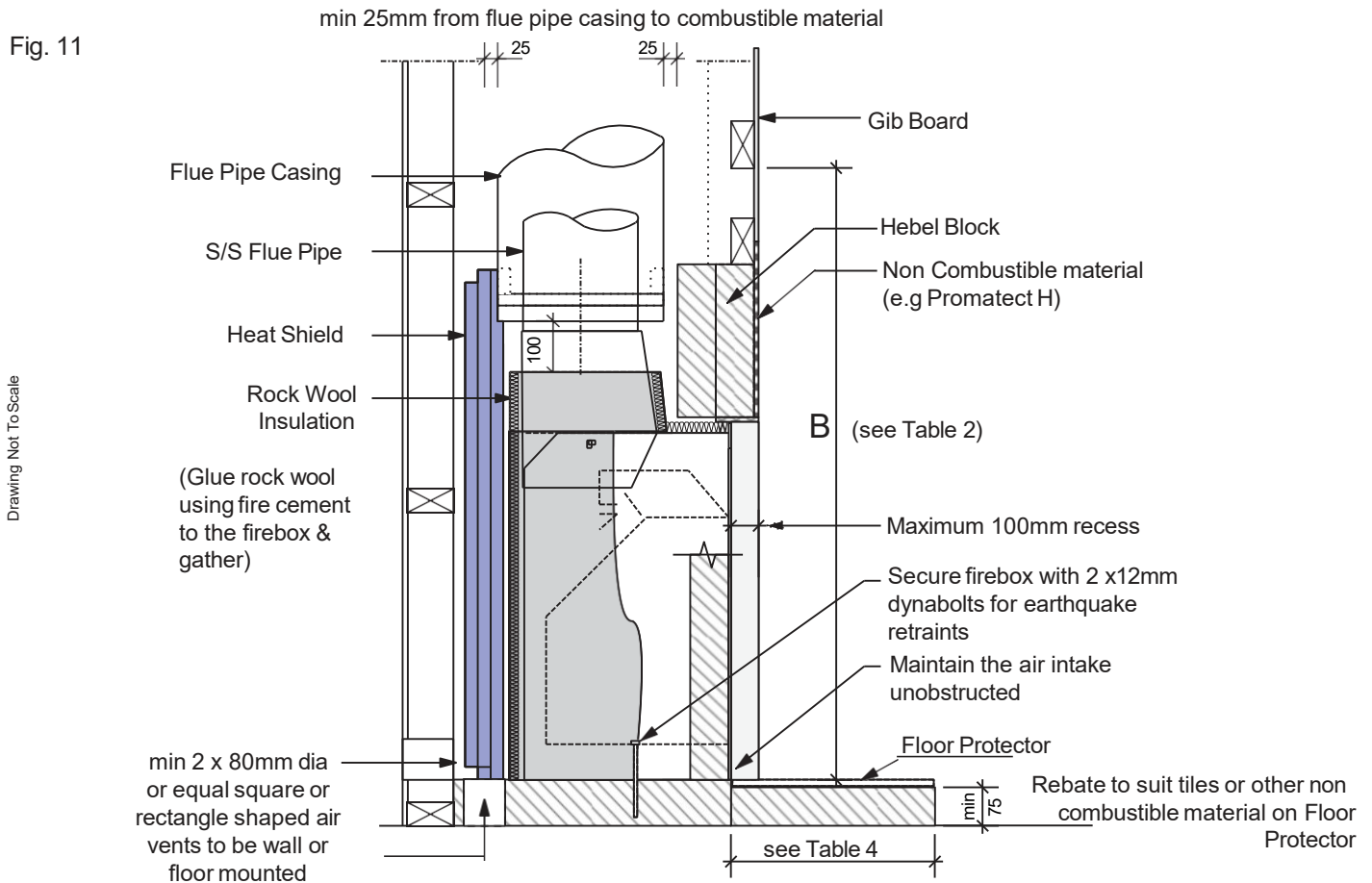
Note: Fig. 10 & Fig. 11 refers to installations where the firebox is recessed. **Maximum recess = 100mm**

Fig. 10



TIMBER FRAME CROSS SECTION - RECESS

Fig. 11



Note: All external air vents & ceiling penetrations must be bird & rodent proofed with permanently fixed screen

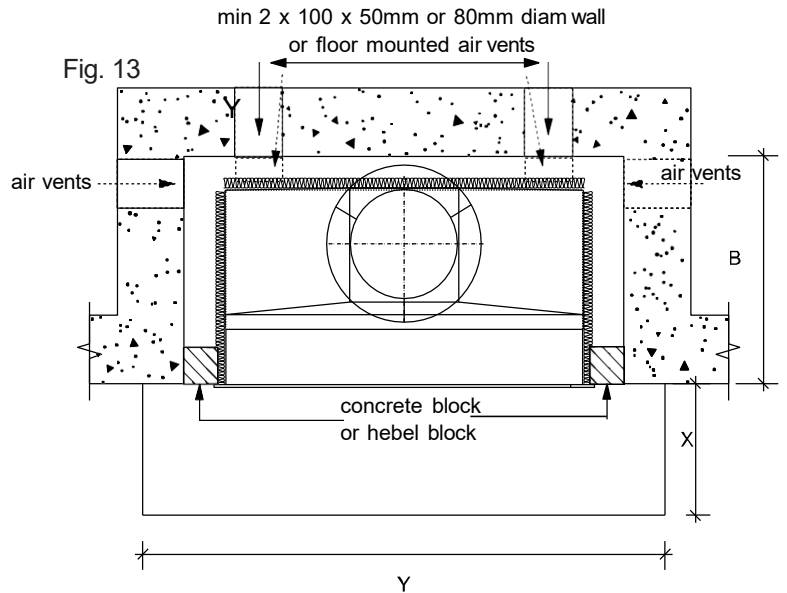
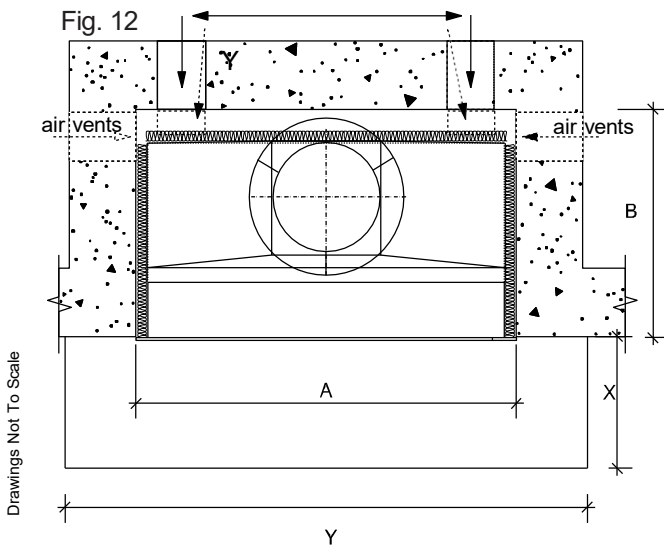
It is important to ensure the Jetmaster firebox is seated at the required finished Floor Protector level

Table 3

MODEL	A	B	Temporary Lintel	X min*	Y min*	Z min*
700	800	470	1200	400	1100	75
850	950	530	1200	450	1250	75
1050IGC **	1150	450	1200	300	1450	8
1050LL	1150	565	1200	600	1450	75
1050U	1150	565	1200	600	1450	75
1200	1300	785	1500	750	1600	75
1500	1600	800	1500	850	1900	75

1050IGC box is **ONLY available for a GAS installation

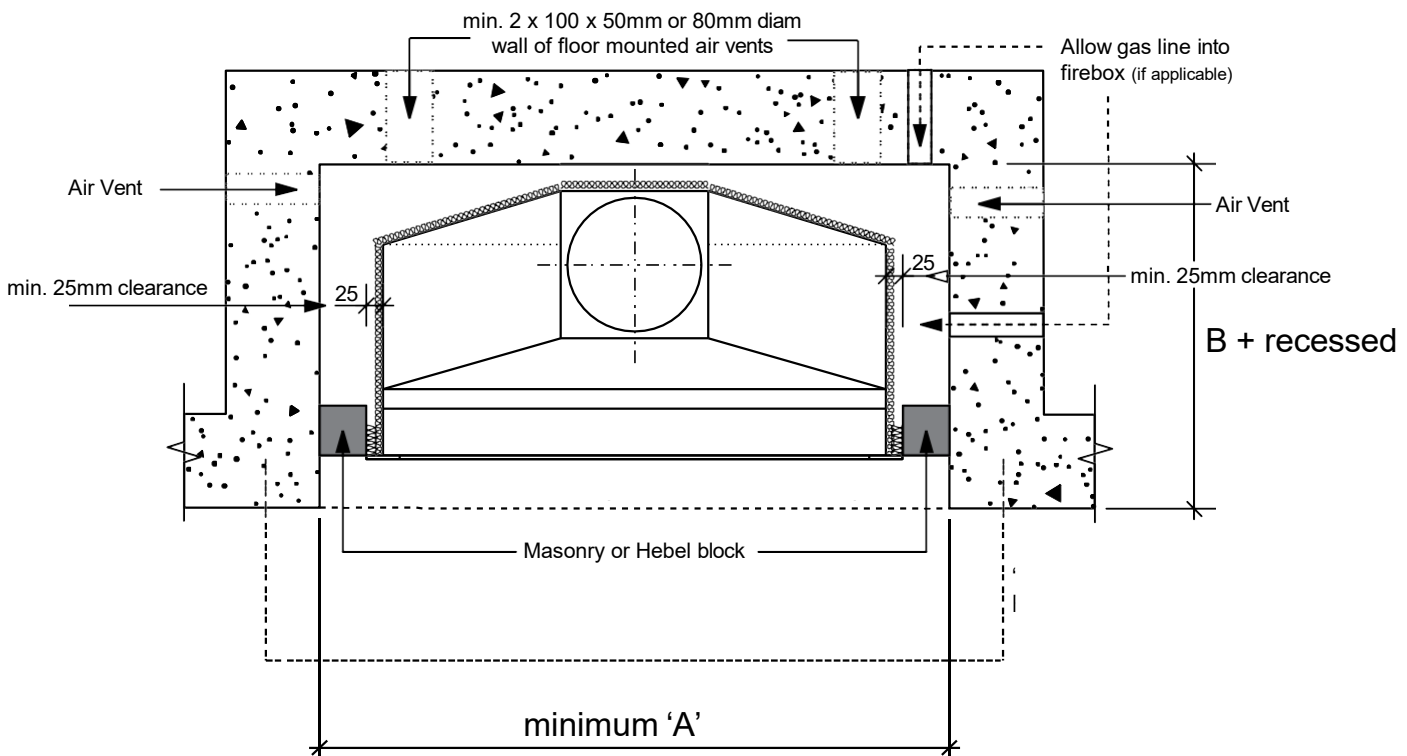
PLAN VIEW



Drawings Not To Scale

PLAN - RECESS DETAIL

Fig. 14



Drawings Not To Scale

A minimum 75mm thick Floor protector is only required if finished surface is combustible e.g. timber, carpet, tiles
Please note that these dimensions (based on Masonry margins) are the absolute minimum sizes - widths (A & B) maybe increased if desired. If you intend on recessing the firebox, please add the recess value to Dimension 'B'.

WARNING: Minimum cavity sizes leave NO MARGIN FOR ERROR . If the cavity is larger than minimum dimensions (A & B) close up the lateral sides using hebel block, concrete block or similar (do not use any combustible material).

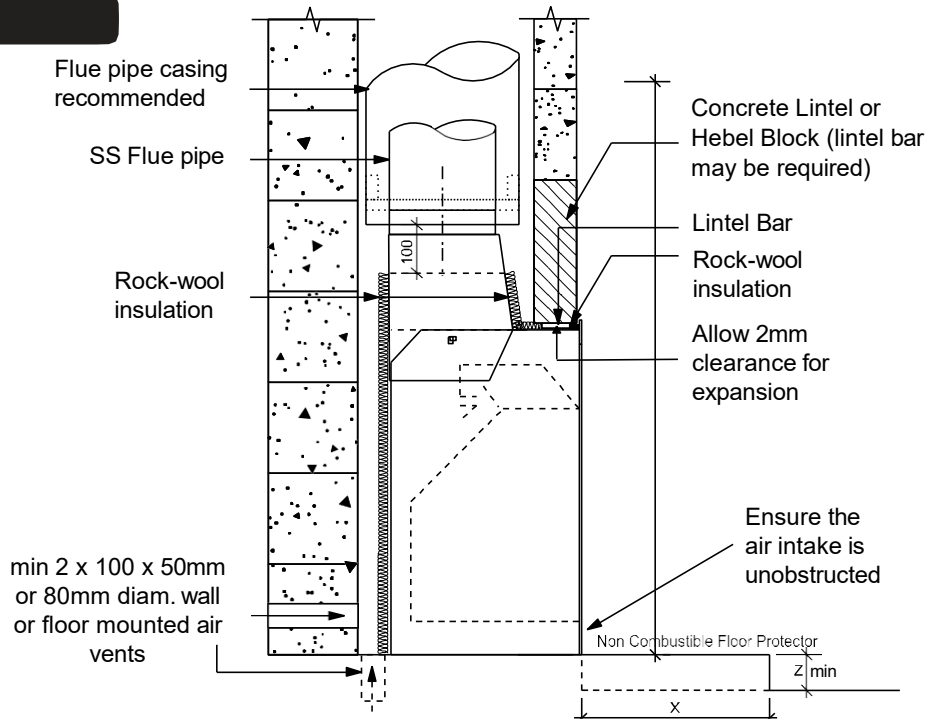
Refer to Table 3 for the minimum cavity dimensions and temporary lintel height measurements, until the firebox and flue system is installed. Note: Temporary lintel height is measured from finished floor protector level.

Ensure suitable air vents (min. 2 x 80mm diameter or equivalent) in place to vent firebox space - these maybe located in the floor or in the side wall space; make allowance (min. 2 x 80mm diameter or equivalent) at the top of the chimney chase, Pg. 14. Ensure vents are bird and vermin proofed.

CROSS SECTION

Fig. 15

Drawing Not To Scale



All external air vents & ceiling penetrations must be bird & rodent proofed with permanently fixed screen

Fig. 16

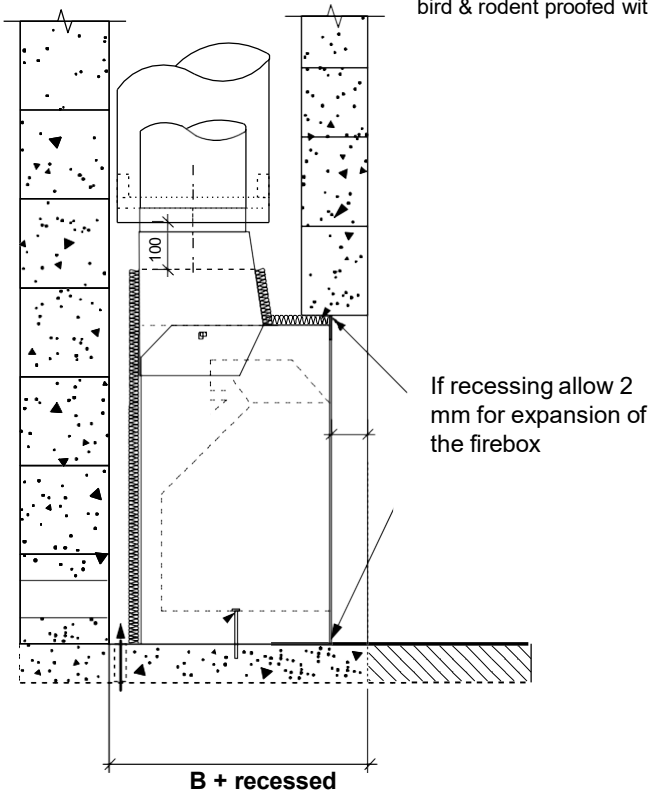
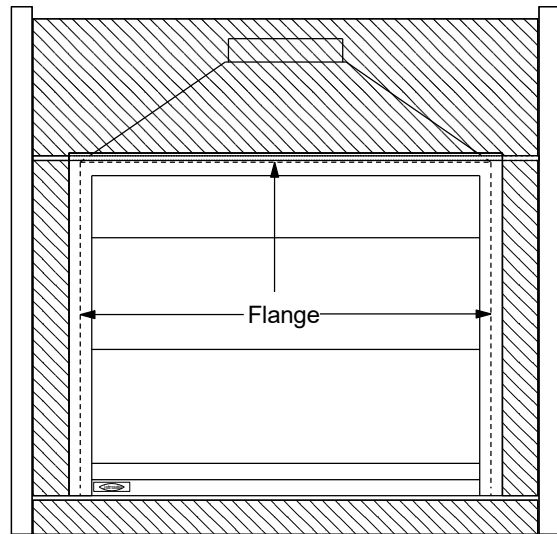


Fig. 17



Don't plaster over the flange

1. Locate and position firebox, fit and seal gather in cavity using fire cement (exhaust cement) and bolts (supplied), to the firebox.
2. Note: Pop rivet back of gather to firebox if required (refer to Cross Section). Earthquake restraints may be positioned by drilling through firebox into the floor protector, in a position midway beneath the log-pan. Two 6mm dynabolts or similar will suffice. Do not over tighten and deform firebox.
2. Attach rock wool (supplied) to the sides of the firebox and gather (using fire cement).
3. DO NOT BLOCK OFF the air entry between the inner flue pipe and flue pipe casing or the air circulation between the vent holes in the cavity.
3. Refer to Table 5, for minimum hearth sizes.

FIREBOX INSTALLATION – GAS REQUIREMENTS

Please refer to the gas burner instructions supplied with the burner for full installation of the gas burner.

1. Before installing the fire box please drill a hole on the bottom right hand side of the fire box to allow for the gas pipe to be connected to the burner.
2. Location of the hole should align with the gap between the gas grate's supporting legs.
3. The gas supply pipe enters the firebox above the base plate to terminate under the gas burner where it can be connected to the gas valve.

IMPORTANT : REMOVE THE DAMPER BLADE FROM THE FIREBOX

1. Unscrew the two friction bar adjustment nuts on the left hand side of the firebox and remove the friction bar.
2. To remove the Damper Blade, push the right hand side of the blade up and move the damper blade slightly to the right to disengage the location bar on the left hand side of the damper blade, then slowly drop the blade down and remove it.

IMPORTANT: GAS LEAKS

1. It is important to ensure that there are no gas leaks before commissioning the burner. It is the responsibility of the gas installer to ensure that a leak testing method, suitable for the specific installation is being used.
2. Before commissioning, gas leaks can be detected only between the supply point and the inlet to the appliance. Once the appliance is operational, an additional check must be done for leaks inside the appliance.

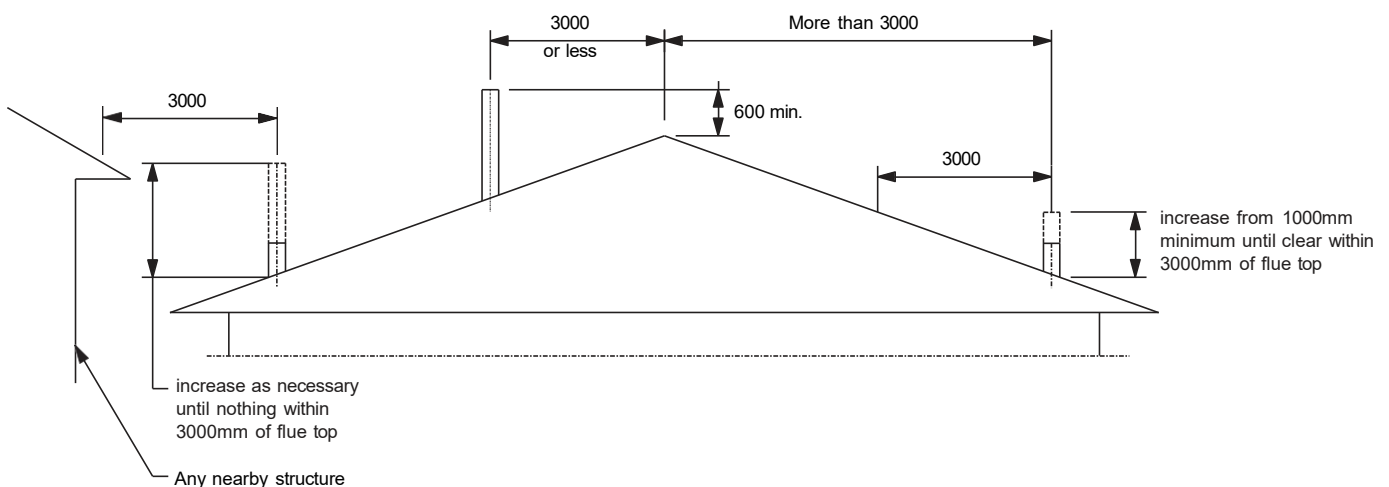
NOTE: GAS INSTALLATIONS CAN NOT BE CONVERTED TO WOOD BURNING AT A LATER DATE

1. Install first length of flue pipe crimped end down, inside gather collar. Rivet flue pipe in 3 places around gather collar. Place bottom flue spider bracket around gather flue pipe collar, secure in position by tightening up coach bolt/screw (supplied).
2. Install second length of the flue pipe crimped end down and fix by riveting in at least 3 places around the flue pipe joint.
3. Install first length of the flue pipe casing by positioning on installed bottom flue spider bracket crimped end up.
4. Position flue spacer at the flue pipe joint.
5. Repeat steps 1 - 4 to the required flue height. As per AS/NZS2918:2001 4.9.1
 - a. "the flue pipe shall extend not less than 4.6m above the top floor protector".
 - b. "the minimum height of the flue system within 3m distance from the highest point of the roof shall be 600mm above that point".
 - c. "the minimum height of a flue system further than 3m from the highest point of the roof shall be" a minimum "1000mm above roof penetration".
 - d. "no part of any building lies in or above a circular area described by a horizontal radius of 3m about the flue system exit".
1. The last length of flue pipe needs to extend past the flue pipe casing by at least 150mm or flush with the top of the casing cover spigot when fitted - sizing/measuring and cutting down should be carried out prior to the flue pipe casing being fitted over the flue pipe.
2. Before fitting casing cover, place the spider in opposition with the spider post facing down between the flue pipe and flue pipe casing. Secure spider in position. Place the casing cover over the flue pipe, press down firmly onto the spider. Check airway around the casing cover is clear, then secure in position using three stainless steel rivets.
3. Fit cowl to top of flue - DO NOT RIVET IN POSITION. In high wind areas, it is recommended that the cowl be secured in position with a stainless steel self tapping screw, this will enable the cowl to be removed for cleaning. Discuss Bird Proofing needs with your installer.
4. If flue is concealed in a chase, allow for air vents (2 x 80mm diam. or equivalent) at the highest possible point on the chimney chase or alternatively, allow a min 25mm air space between the casing cover spigot and the outer casing. Refer to pg. 14.
5. **Flue system may require to be double lined to comply with AS/NZS:2918:2001 4.3 Flue pipe casing.**

MINIMUM HEIGHT OF FLUE SYSTEM EXIT

As per AS/NZS 2918:2001 4.9.1 Fig 4.9

Fig. 18

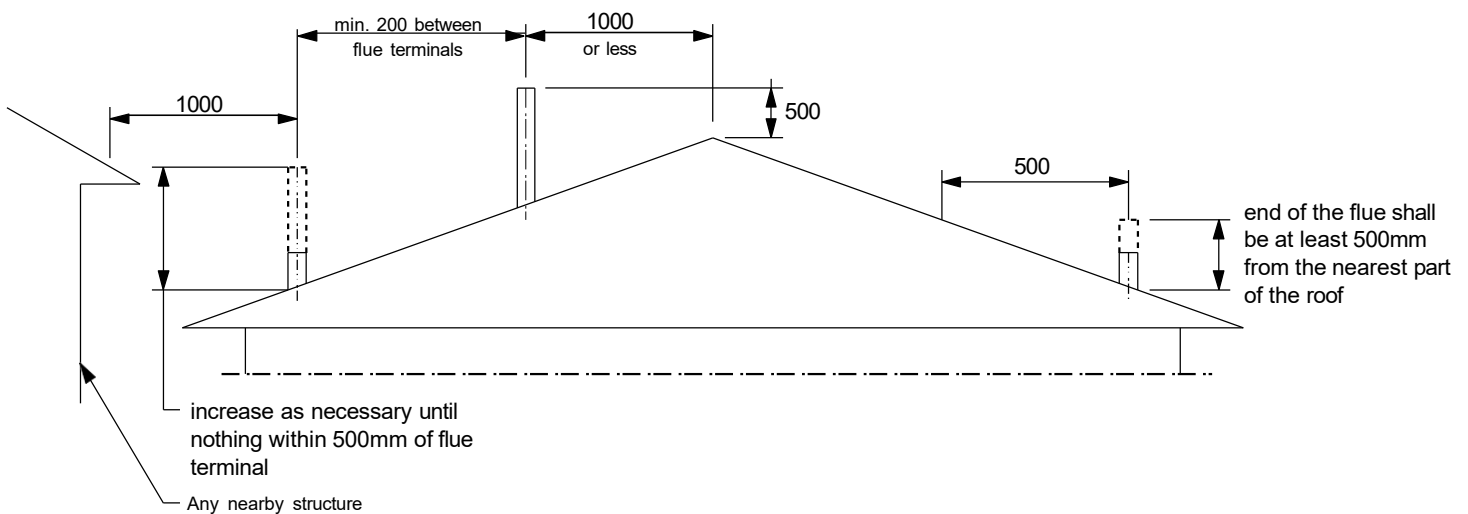


1. Install first length of flue pipe crimped end down, inside gather collar. Rivet flue pipe in 3 places around gather collar. Place bottom flue spider bracket around gather flue pipe collar, secure in position by tightening up coach bolt/screw (supplied).
2. Install second length of the flue pipe crimped end down and fix by riveting in at least 3 places around the flue pipe joint.
3. Install first length of the flue pipe casing by positioning on installed bottom flue spider bracket crimped end up.
4. Position flue spacer at the flue pipe joint.
5. Repeat steps 1 - 4 to the required flue height.
 - a. The flue pipe shall extend not less than 3.6M above the fire box.
 - b. The flue is required to be at least 500mm above the nearest point on any part of the buildings roof and neighbouring buildings if within a 1M radius. Refer to AS/NZS 5601:2013 for further information.
6. The last length of flue pipe needs to extend past the flue pipe casing by at least 150mm or flush with the top of the casing cover spigot when fitted - sizing/measuring and cutting down should be carried out prior to the flue pipe casing being fitted over the flue pipe.
7. Before fitting casing cover, place the spider in opposition with the spider post facing down between the flue pipe and flue pipe casing. Secure spider in position. Place the casing cover over the flue pipe, press down firmly onto the spider. Check airway around the casing cover is clear, then secure in position using three stainless steel rivets.
8. Fit cowl to top of flue - DO NOT RIVET IN POSITION. In high wind areas, it is recommended that the cowl be secured in position with a stainless steel self tapping screw, this will enable the cowl to be removed for cleaning. Discuss Bird Proofing needs with your installer.
9. If flue is concealed in a chase, allow for air vents (2 x 80mm diam. or equivalent) at the highest possible point on the chimney chase or alternatively, allow a min 25mm air space between the casing cover spigot and the outer casing. Refer to pg. 14.

MINIMUM HEIGHT OF FLUE SYSTEM EXIT - GAS

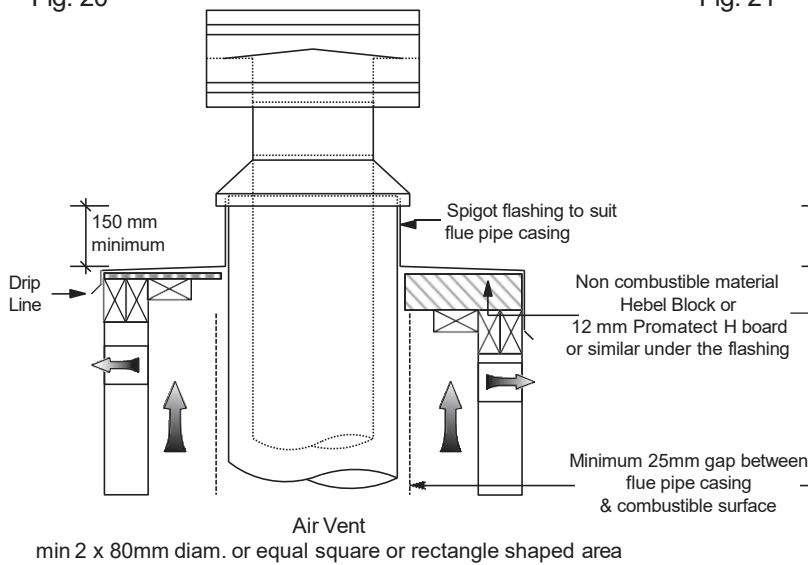
As per AS/NZS 5601:2013 Flue Terminals

Fig. 19



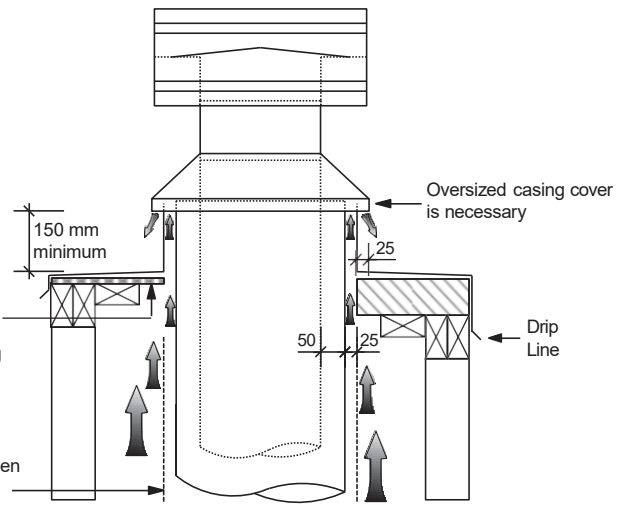
Air Ventilation Through Chimney Chase

Fig. 20

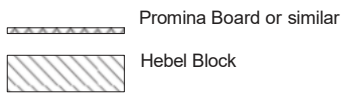


Air Ventilation Through Top Flashing

Fig. 21



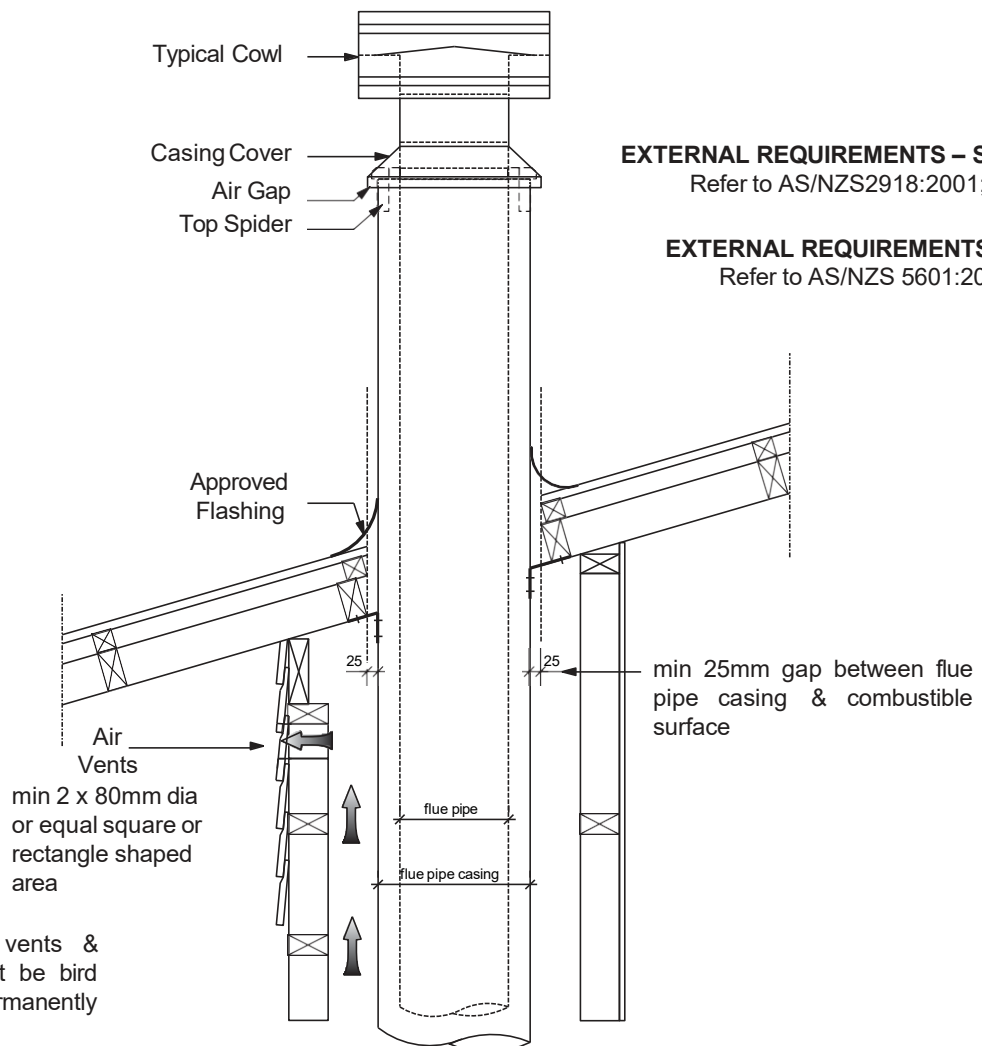
Drawings Not To Scale



Note: All external air vents & ceiling penetrations must be bird & rodent proofed with permanently fixed screens

FLUE PENETRATION

Fig. 22



EXTERNAL REQUIREMENTS – SOLID FUEL
Refer to AS/NZS2918:2001; 4.9.1

EXTERNAL REQUIREMENTS – GAS
Refer to AS/NZS 5601:2013

Drawing Not To Scale

Note: All external air vents & ceiling penetrations must be bird & rodent proofed with permanently fixed screens

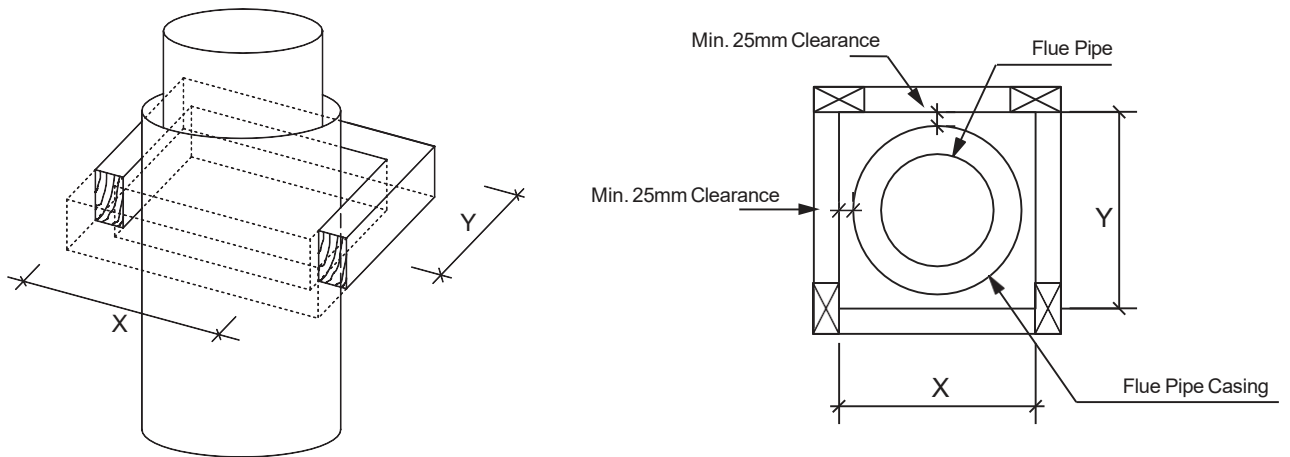
Table 4

MODEL	FLUE SYSTEM	MINIMUM TRIM OUT DIMENSION	
		X (min)	Y (min)
700	225/325	375	375
850	250/350	400	400
1050 IGC	250/300	350	350
1050	300/400	450	450
1200	400/500	550	550
1500	450/550	600	600

Dimensions in mm

Note: A minimum 25mm clearance from flue pipe casing to combustible material must be maintained.
A Minimum clearance of 200mm above Heat Shield must be maintained.

Fig. 23

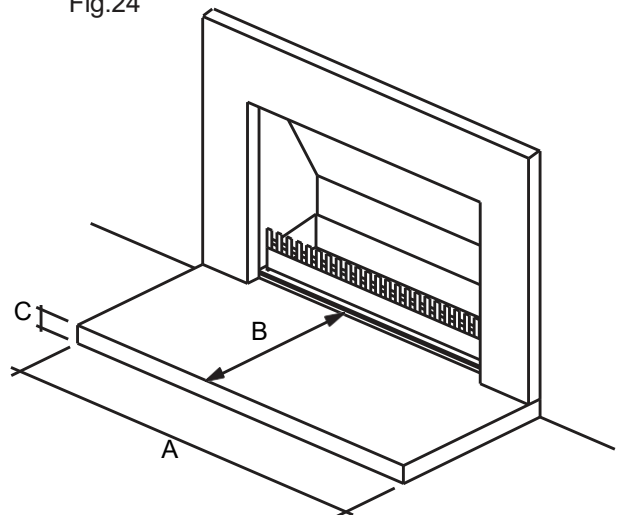


MINIMUM FLOOR PROTECTOR SIZE

Table 5

MODEL	A	B	C *	GAS - B
700	1100	400	75/8	300
850	1250	450	75/8	300
1050	1450	600	75/8	300
1200	1600	750	75/8	-
1500	1900	850	75/8	-

Fig.24



* A minimum 75mm thickness refers only to Hebel Block – for solid fuel installations. Minimum 100mm thickness required if poured concrete

* Minimum of 8mm thickness refers only to Gas burners installations.

The Fireplace Ltd specifies that allowances must be made for air replacement vents to be located near the fireplace, to aid combustion and reduce the incidence of back venting. Refer below for air vent sizing and suggested location. Fig. 26 - Location points A,B,C,D are suggested combinations. A minimum of **one pair** of air vents is recommended or one large vent, as per location point D. Allowance to be made for minimum 2 inlet ducts from outside to internal vent location.

Note: DO NOT USE FIREPLACE CAVITY VENTILATION AS A METHOD OF AIR REPLACEMENT.

Fig. 25

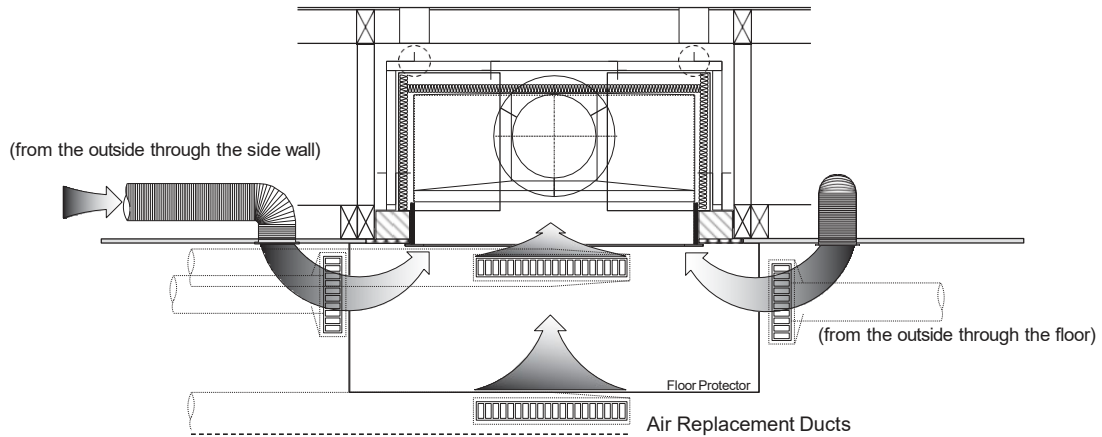


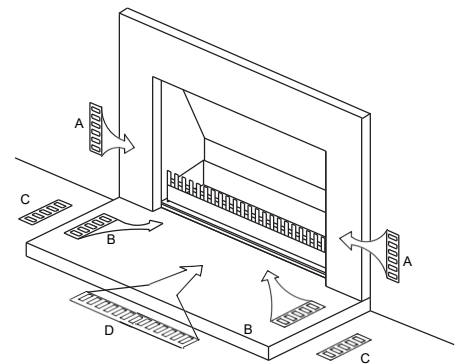
Table 5

MODEL	MINIMUM VENT SIZE (x2)	
	Square Design (L x H)	Rectangle Design (L x H)
700	100 x 100	200 x 50
850	125 x 125	250 x 50
1050	150 x 150	250 x 100
1200	175 x 175	350 x 100
1500	200 x 200	400 x 100

Dimensions in mm

Note: Table 5 dimensions are internal dimensions only, does not include vent flange

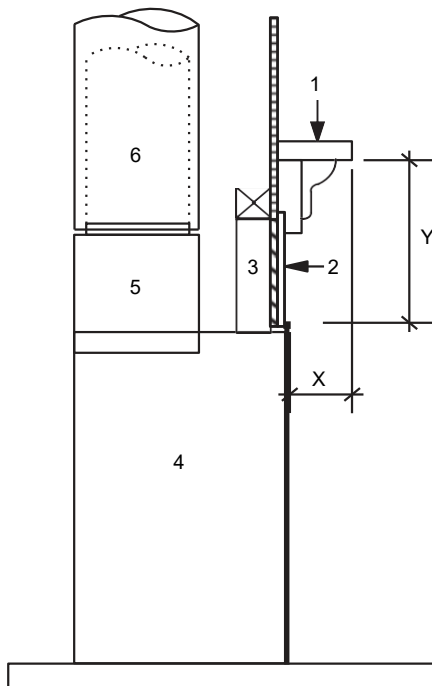
Fig. 26



CLEARANCE TO COMBUSTIBLE MANTELS

Fig. 27

Drawing Not To Scale



Notes:

1. Mantel / Surround
2. Tile or margin facing (non combustible material)
3. Hebel Block
4. Firebox
5. Gather
6. Flue

X See Fig. 28

Y See Fig. 28

If you are using a decorative surround constructed of combustible material, it must be located within the shaded area defined in Fig. 28

Fig. 28

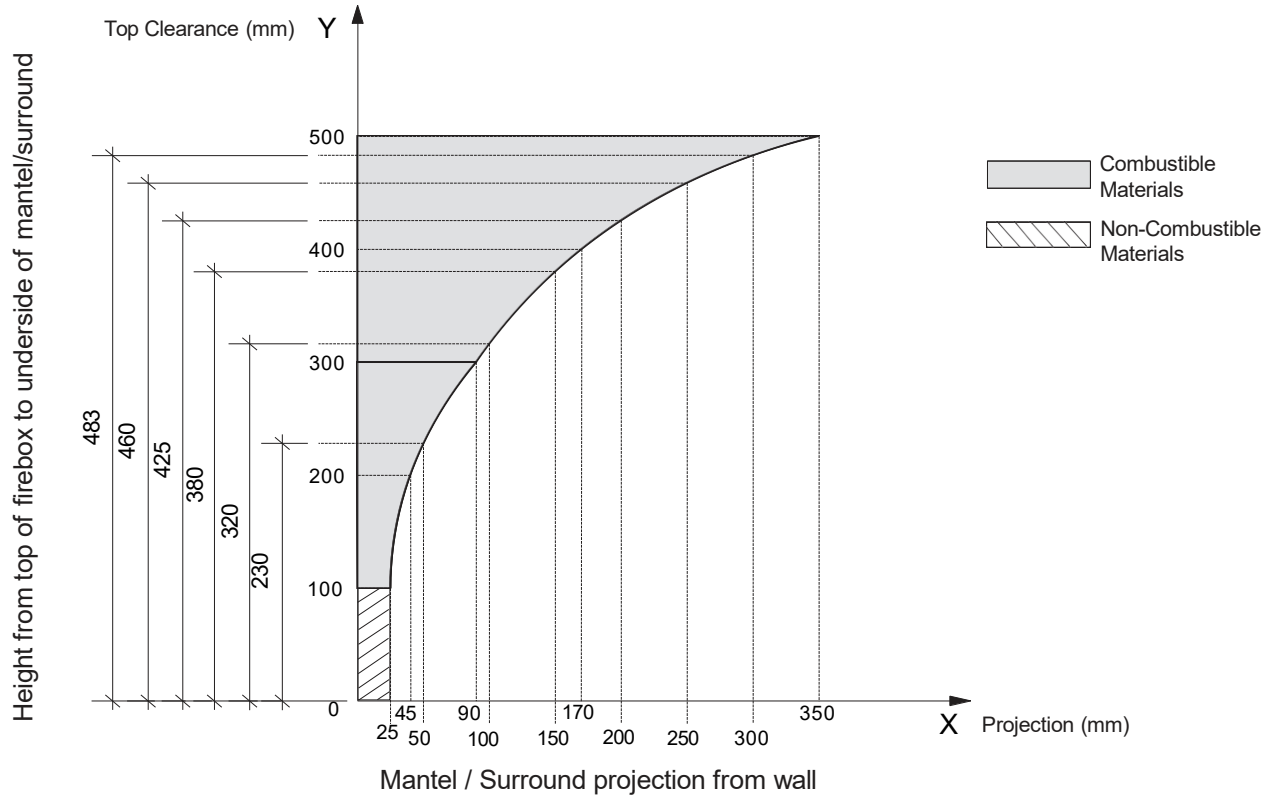
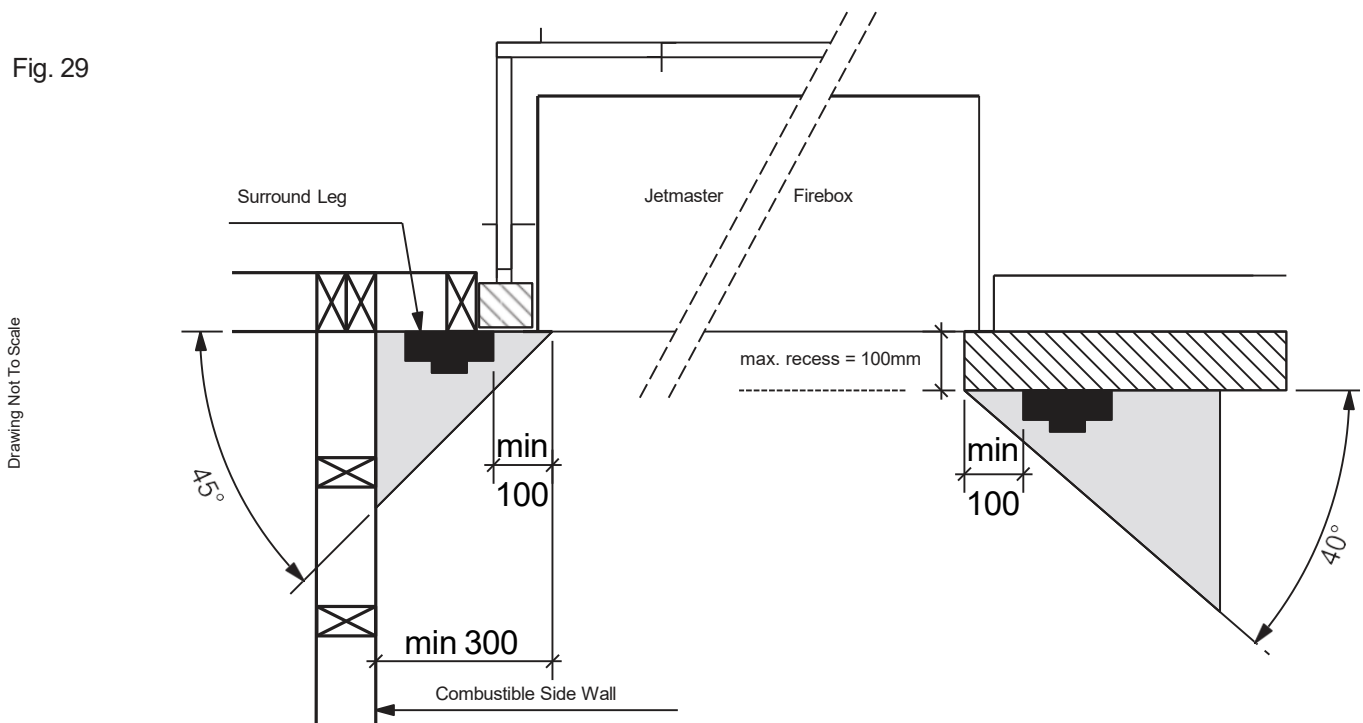


Fig. 29



Note: Adjacent combustible side walls must be located a minimum of 300mm from the fireplace opening.