



## Cast to last, premium quality fire pits.

Be it a cold wintery day or a balmy summers night a fire pit will bring something special to the occasion. US-made Hearthstone fire pits are manufactured in durable cast iron and are built to last for years. The specially design grate at the base fuels the fire with air and the cast iron cook tops provide the perfect surface for showcasing your BBQ skills. Choose from 2 base options, for either sitting or standing. You can grill your favourite food for the party and then refire your pit for an outdoor brazier experience like no other. Enjoy!

### Key Features



Open fire ambience



Cast Iron bowl construction



Enameled cast iron cooking grill



Unique log-pan design

## Product Specifications

IMPORTANT: PLEASE REFER TO COMPREHENSIVE INSTALLATION INSTRUCTIONS PRIOR TO CONSTRUCTION AND INSTALLATION  
 DOWNLOAD FROM: [www.thefireplace.co.nz](http://www.thefireplace.co.nz)

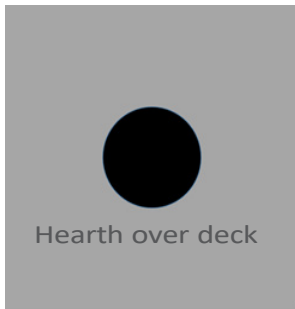
Fuel Source Wood logs, max 30cm  
 Weight Short Base 28kg  
 Standing Base 56kg

### Short Base

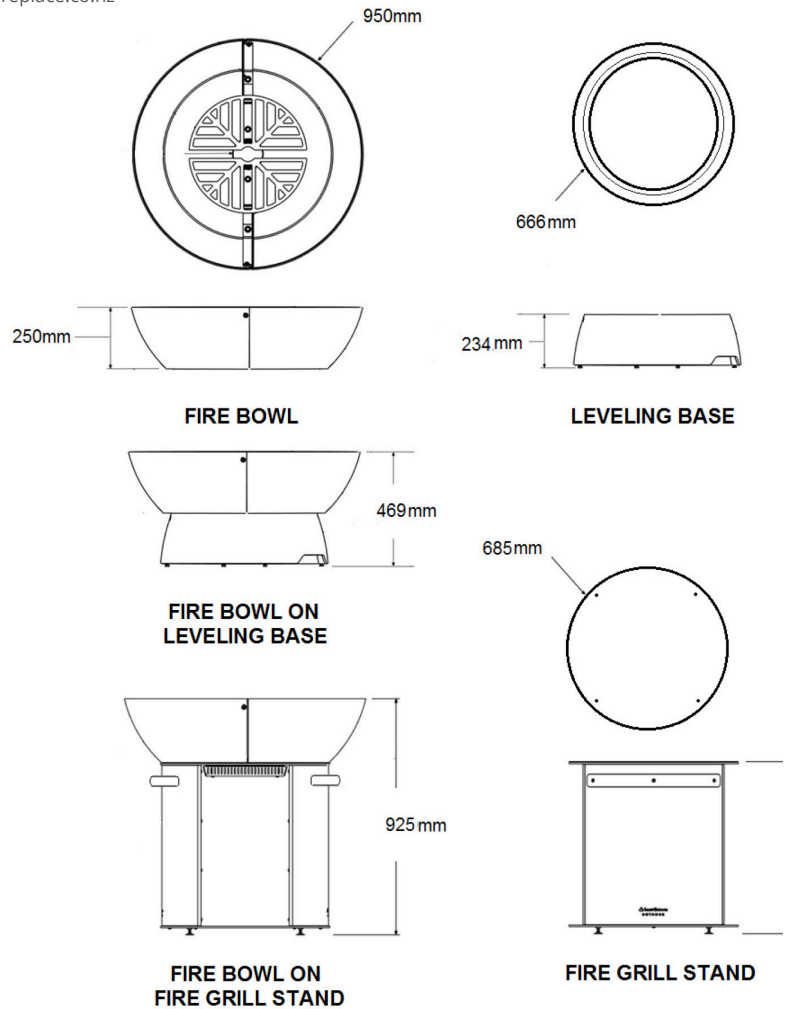
Short Base	Height	Diametre
Length (mm)	469	950

### Standing Base

Standing Base	Height	Diametre
Length (mm)	925	950



For installation over a wooden deck you will need to create a barrier in concrete or pavers. Steel is not compliant. The 'guidance' is a barrier that extends at least 1m from the edge of the pit. The pit is 950mm deep so approx a 3x3m "patio hearth" is advised. (Dimensionally as shown here)



## Options & Accessories

The Fire Pit is available in 2 height options.  
 The Short and Standing Base including grill plate configurations.

### Grill configurations:



#### Fire Pit Griddle

With fire grate and cast iron base + enamelled cast iron cooking griddle



#### Soapstone Grill Stones

Purchased Separately



#### Fire Pit Cover

Purchased separately



#### Standing Fire Pit

With fire grate and cast iron base + custom cook ring with 2 griddle quarters, 2 grill quarters



Exclusive New Zealand Distributor

**The Fireplace Ltd**

12 Tawari Street, Mt Eden

Auckland 1024, New Zealand

Ph: 09 623 6990

Email: [sales@thefireplace.co.nz](mailto:sales@thefireplace.co.nz)

[www.thefireplace.co.nz](http://www.thefireplace.co.nz)

Your Local Retailer