



OUTDOOR

Fire Pit & Fire Grill

(Models 810-1510 & 810-2510)
Outdoor Fire Appliance



OWNER'S MANUAL

Installation And
Operating Instructions for
New Zealand

**SAVE THIS OWNER'S MANUAL
FOR FUTURE REFERENCE**

**PLEASE READ THIS ENTIRE OWNER'S MANUAL BEFORE YOU INSTALL AND USE YOUR
NEW FIRE PIT OR FIRE GRILL.**

**If this outdoor appliance is not properly installed, a house fire may result.
To reduce the risk of fire, follow the installation instructions.
Failure to follow these instructions can result in property damage, bodily injury, or even death.**

Designed to ASTM C1055

**CONTACT LOCAL AUTHORITIES WITH JURISDICTION or FIRE OFFICIALS, ABOUT PERMITS
REQUIRED, RESTRICTIONS AND INSTALLATION INSPECTION IN YOUR AREA.**

<https://fireandemergency.nz/fire-seasons-permits/fire-pits-and-bowls/>

IN EMERGENCIES CALL 111

TABLE OF CONTENTS

INTRODUCTION	3
CODES.....	3
SAFETY INFORMATION	3
PERIODIC CHECKLIST	4
EMERGENCY PROCEDURES	4
SPECIFICATIONS	5
INSTALLATION	7
UNPACKING.....	7
PACK LIST.....	7
CHOOSING A LOCATION	7
ASSEMBLING FIRE PIT.....	7
ASSEMBLING FIRE GRILL.....	7
ASSEMBLING OPTIONAL GRILL RING.....	8
OPERATION	8
CHOOSING FIREWOOD.....	8
REMOVAL OF ASHES	10
MAINTENANCE	10
LIMITED WARRANTY	11

INTRODUCTION

Thank you for purchasing a Fire Pit or Fire Grill Outdoor Appliance from Hearthstone Quality Home Heating Products. This appliance will provide years of outdoor memories and enjoyment. We trust that you will appreciate the quality of this handcrafted product.

Your Fire Pit or Fire Grill can burn very hot, and can produce a large amount of heat and open flame. Getting accustomed to and managing the size of the fire is very important to the safe operation of this appliance.

Please read this manual in its entirety. Its purpose is to familiarize you with your outdoor appliance safe installation, proper break-in, operation and maintenance. It contains extremely important information so keep it handy and refer to it often.

A qualified heating technician may need this owner's manual as a reference when installing this appliance in your designated or desired location. There are national and local building codes that direct the technician on how to install your appliance. These codes stipulate the dimension and clearances to walls, ceilings, and other combustible surfaces. The codes exist to reduce the risk of fire. Failure to follow these instructions can result in fire, property damage, bodily injury, and even death.

Install the appliance in a safe, open area, away from traffic flow, doors, and breezeways. If possible, try to install the appliance with room for access from all directions. It is extremely important to install this appliance with the proper clearance from combustible surfaces. As a general rule, keep furniture, drapes, curtains, wood, paper, and other combustibles at least 10 feet (3.05 m) away from the appliance. Never install the appliance in or near a storage location for gasoline, kerosene, charcoal lighter fluid or any other flammable liquids. Flammable liquids should be kept at a minimum distance of 50 feet (15.25 m) from this appliance.

- **SAFETY NOTICE:**

AN IMPROPERLY INSTALLED APPLIANCE CAN RESULT IN A HOUSE FIRE. FOR YOUR SAFETY, CAREFULLY FOLLOW THE INSTALLATION DIRECTIONS. CONTACT LOCAL BUILDING OR FIRE OFFICIALS ABOUT RESTRICTIONS AND INSTALLATION INSPECTION IN YOUR AREA.

The safety of your appliance will depend on many factors, some of which include: distance to combustible objects, correct venting, and adequate maintenance. Should you have any questions, do not

hesitate to contact your dealer for additional information.

Contact your dealer for any necessary warranty service.

This Fire Pit or Fire Grill Outdoor Appliance is warranted by:

Hearthstone Quality Home Heating Products, Inc®
317 Stafford Ave.
Morrisville, Vermont 05661, USA
www.Hearthstonestoves.com

CODES

When you install your Fire Pit or Fire Grill Outdoor Appliance, it is imperative that you adhere to all local codes. Obtain these codes from your local council.

SAFETY INFORMATION

Read and understand this Owner's Manual thoroughly before installing and using this stove.

Make sure to install your appliance:

- According to the manufacturer's recommendations
- In accordance with all applicable codes
- With the proper clearances in all directions

When using your appliance, follow these safety precautions:

- **Never** modify this appliance in any way.
- **Never** burn painted or treated wood in this appliance.
- **DO NOT BURN GARBAGE.** **Never** burn garbage or trash, colored or glossy paper, solvents, plywood, artificial logs, cardboard, or driftwood, in this appliance.

- **DO NOT BURN FLAMMABLE FLUIDS.**
- **DO NOT USE EXCESS CHEMICALS OR FLUIDS TO START THE FIRE.** If necessary, **ONLY** use charcoal lighter fluid to ignite charcoal briquettes. **Never** use gasoline, kerosene, or other flammable fluids to start or invigorate the fire. These fuels will cause dangerous burning conditions in the appliance. Keep all such materials away from the stove when not in use. **WARNING:** Any excess fluids applied to saturate wood or charcoal briquettes could leak down through the seams of the cast iron and initiate a burning flame outside of the fire bowl. Use any such approved accelerants sparingly and only as intended by the manufacturer.
- **Never** over-fire your appliance.

Other safety guidelines:

- Keep all combustible items such as furniture, drapes, clothing, and other items, at least 10 feet (3.05 m) from the appliance.
- Keep a fire extinguisher handy.
- You may also wish to keep a pail of sand nearby to cast over open flame.
- If a water hose is used to put out a potentially hazardous fire the nozzle should be set to 'spray' and not to 'stream', and care should be taken to apply water to area of fire directly, and avoid excess overspray on hot iron for the risk of generating steam or potentially cracking the iron.
- Dispose of ashes properly in a non-flammable, sealing receptacle rated for ash disposal. Be sure to place the receptacle on non-combustible materials during and after ash transfer until the material and container are cool. See page 10.
- Keep children and pets away from the appliance when it is burning; they could be seriously injured by touching a hot appliance.

PERIODIC CHECKLIST

Perform each of these tasks at the specified intervals.

At the End of Every Week:

- Empty ashes from the fire bowl, sooner if the fire bowl is full.

At the Beginning of Every Other Month:

- Depending upon frequency of use of the appliance, visually inspect the appliance for

signs of damage from use or from the environment.

- Check stability of the fire bowl on the base stand, and visually check the base stand for signs of damage from use or from the environment.

At the End of Every Season:

- Clean all ash from the fire bowl.
- Wash and clean any cooking surfaces.
- Perform a visual inspection of all components for signs of wear and tear, damage, and general condition.
- Move appliance to indoor storage location, or install a proper all-weather cover.

EMERGENCY PROCEDURES

If the fire is burning uncontrollably or for another reason needs to be immediately extinguished it is recommended to **utilize a fire extinguisher** and/or disperse a **pail of sand to bury any remaining embers.**

Use of water to extinguish the fire is also acceptable, and water should be sprayed gently over the flame and coal bed (not a forceful stream). Applying water could result in damage to the appliance (depending on temperatures and conditions of the fire) and can also cause staining and secondary damage to the installation location as water and ash will migrate through the joints of the appliance, down the support base, and onto the earth, stone, or concrete below (and beyond).

SPECIFICATIONS

Fire Bowl Capacity:

4.3 cubic feet

Maximum Recommended Log Length:

Up To 24" (61 cm).

Optional Equipment:

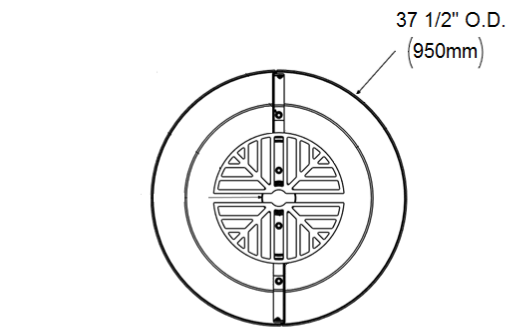
2-Piece Grill Top	912-3840
2-Piece Griddle Top	912-3841
Soap Stone Cook Stone	1141-380

Appliance Dimensions:

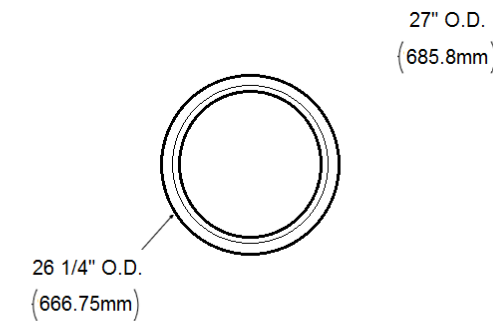
Fire Bowl Height:	9-7/8" (25 cm)
Fire Bowl Diameter:	37-1/2" (95.25 cm)
Fire Bowl Weight:	160 lbs. (73 kg)

Short Base Height:	9-1/4" (23.5 cm)
Short Base Diameter:	27" (68.5 cm)
Short Base Weight:	60 lbs. (27.5 kg)

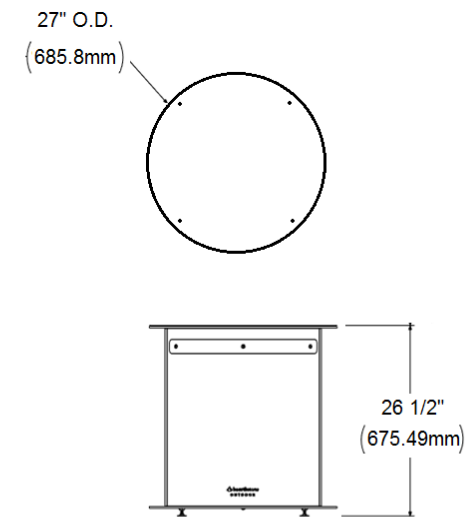
Tall Stand Height:	27" (68.5 cm)
Tall Stand Diameter:	29.25" (74.5 cm)
Tall Stand Weight:	145 lbs. (66 kg)



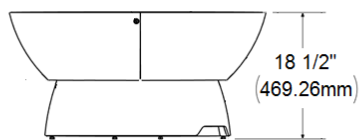
FIRE BOWL



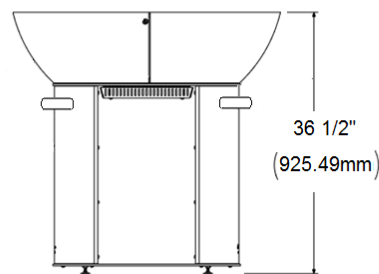
LEVELING BASE



FIRE GRILL STAND

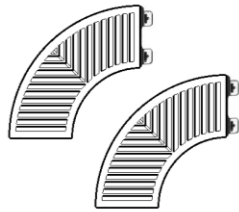


**FIRE BOWL ON
LEVELING BASE**

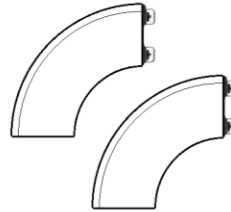


**FIRE BOWL ON
FIRE GRILL STAND**

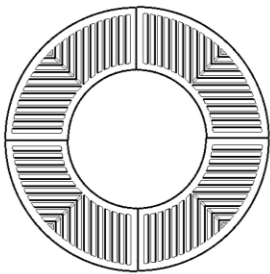
GRILL TOP OPTIONS



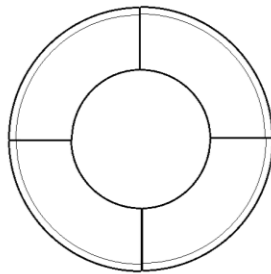
GRILL TOP KIT 912-3840



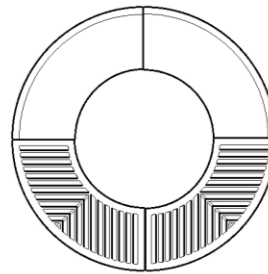
GRIDDLE TOP KIT 912-3841



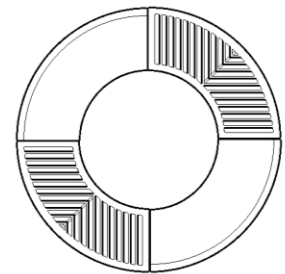
2ea. GRILL TOP KIT



2ea. GRIDDLE TOP KIT



**1ea. GRILL TOP KIT
1ea. GRIDDLE TOP KIT**



INSTALLATION

UNPACKING

Hearthstone packages your Fire Pit and Fire Grill Outdoor Appliance with the greatest care so that it ships safely. Under certain circumstances, however, damage may occur during transit and handling. When you receive the Outdoor Appliance, carefully unpack and inspect the castings all accompanying parts. Ensure that all parts are included per the parts list. If any parts are damaged or missing, please contact your authorized Hearthstone dealer immediately.

PACK LIST

Fire Pit 810-1510

Or

Fire Grill 810-2510

Owner's Manual, Center Plug, Ash Grates, Griddles/Grilles (if ordered), Hardware (See Figures 1, 2, 3, 4 for Parts Lists and assembly guidance

LOCATION: INSTALLING YOUR APPLIANCE

Choose a place to install your Fire Pit or Fire Grill. Consider the location of your appliance for stability, safety, and enjoyment. In general, it is better to place your appliance in an open area away from buildings, overhanging foliage, and combustibles or flammables.

Inspect this location to make sure that the appliance will have the required 15M clearance from flammable liquids and combustible materials. Examples of flammable liquids are accelerants such as gasoline, propane, diesel fuel, kerosene and heating oil. Combustibles include walls, floor, deck, ceiling, and overhanging foliage, limbs and trees. You must carefully consider the clearances to all of these combustibles before placing and igniting your appliance.

It is recommended that your Outdoor Appliance be installed firmly at a dedicated outdoor location constructed of stone, masonry, earth or concrete. It is not recommended to install this Outdoor Appliance on any deck, wood or composite.

ASSEMBLING YOUR FIRE PIT

Refer to Figure 1 for guidance along with these instructions. Carefully remove all components from the shipping materials. Install the 4x CAP SCREWS (item 4500-2495) into the underside of the Levelling Base (item 2101-010). Turn the assembled Levelling Base over and place it in the center of your chosen install location. Adjust all four screws until the Levelling Base is level, and stable (does not wobble). With help from another person, place the Fire Bowl Assembly onto the leveling base, and make effort to center it visually. Place the Plug (item 2101-060) into the center hole and align the raised bosses on the plug with the overlapping seam of the two bowl halves. Next, place each Ash Grate (item 2101-050) into the Fire Bowl with the raised bosses of the Ash Grates facing down. The grates should lock in with raised bosses of the Fire Bowl seam, and Plug. Refer to Figure 1. If your Fire Pit included the Grilling Ring, assemble as instructed further in this document, and install the completed grilling ring onto the fire pit, centered and rotated as desired.

ASSEMBLING YOUR FIRE GRILL

Refer to Figures 2, 3, 4 for guidance along with these instructions. Carefully remove all components from the shipping materials. Begin by assembling the Fire Grill Stand as shown in Figure 3. Install the 4x Elevator Bolts (item 4100-0124) into Top Plate (item 5138-0120). Note: Two Top Plates are supplied, but one is intended to be used as the Bottom Plate. Adjust all Elevator Bolts so they are neutrally located with room for adjustment in each direction. Next, install each Side Panel Assembly (item 5138-0220) to the Bottom Plate on the opposite side of the Elevator Bolts. Note: Install each Side Panel Assembly so that the Hearthstone Outdoor Logo is nearest the bottom plate. Secure each Side Panel Assembly in place using 3x Screw (item 4500-1055) and 3x Washer (item 4600-0311) installed from beneath Bottom Plate (same side as Elevator Bolts). Now move this assembly and place it in the center of your chosen install location. Adjust all four Elevator Bolts until the Fire Grill Stand is level, and stable (does not wobble). Secure the Fire Grill Stand through the 4 x 5mm locating holes using Dynabolts. Place the Top Plate (item 5138-0120) onto the Side Panel Assemblies and align with hardware locations.

Again, secure the Top Plate using 6x Screw (item 4500-1055) and 6x Washer (item 4600-0311). Insert 4x Screw (item 4500-4535) and 4x Washer (item 4600-0311) from the top through the 4 center holes

in Top Plate. Next, lay Upper Heat Shield Insulation (white, ceramic paper, item 3120-222) into Upper Heat Shield (item 5138-0420) and align 4x fasteners through clearance holes as you sandwich these components to the bottom side of Top Plate. Secure in place with 4x Spacer (item 4700-0880). Tighten all four spacers by hand until snug. Next, install Lower Heat Shield Reflective Layer (foil faced fiberglass, item 3120-223) onto Lower Heat Shield (item 5138-0520) so that fiberglass is laying inside the heat shield, with foil facing UP. Align fastener holes with standoffs and tighten 4x Screws (item 4500-4535) and 4x Washers (4600-0311) through Lower Heat Shield and into Spacers. See Detail C of Figure 3. Next, install 4x Domed Carriage Bolts (item 4100-0122) into remaining 4 holes on top side of Top Plate, so that they are approximately the same height. These will be used and adjusted manually to prevent the Fire Bowl Assembly from wobbling in place.

Finally, as instructed in the above paragraph: "Assembly: Building your Fire Pit", assemble and install the Fire Bowl Assembly on top of your Fire Grill Stand. Follow the instructions below to assemble your Grilling Ring.

ASSEMBLING THE GRILLING RING

Carefully remove all grills, griddles, and hardware from their packaging. If you have a combination of grills and griddles, decide in which configuration you'd like the slotted grills and flat griddles arranged. Place the grills and griddles face down and spaced apart on a clean, flat surface in the desired configuration. One by one, bring the pieces together and loosely secure each grill or griddle to the adjacent piece using the supplied hardware: 2x Bolt (item 4500-3125) and 2x Washer (item 4600-0805). The completed ring will need 8x each Bolt and Washer once fully assembled.

When each segment of the grilling ring is loosely assembled as desired, check the general alignment for roundness making any adjustments needed, and then be sure to securely tighten each fastener. With help from another person, lift the grilling ring, turn right side up, and place centered over your newly installed Fire Pit or Fire Grill. Center the ring and rotate it to the desired orientation.

OPERATION

Once your Outdoor Fire Pit or Fire Grill is installed in a safe location, you are ready to light a fire.

Every installation, season's firewood, and operator's technique varies. Learn how to use your appliance most efficiently for your installation. We can give you the basic principles, but only you can ensure maximizing the potential of your appliance while also operating it safely.

- **WARNING: HOT WHILE IN OPERATION! KEEP CHILDREN, PETS, CLOTHING AND FURNITURE AWAY. CONTACT MAY CAUSE SKIN BURNS.**

Read this entire chapter before lighting your first fire. It explains the controls and features of your wood stove, how to choose firewood, and how to use your stove on a daily basis.

CHOOSING FIREWOOD

Burn only natural firewood (known as cordwood) or barbeque grade charcoal in the Outdoor Appliance. This appliance is not designed to burn other fuels.

- **CAUTION: DO NOT USE CHEMICALS OR FLAMMABLE FLUIDS TO START THE FIRE. DO NOT USE CHARCOAL, PELLETS, COAL, ARTIFICIAL LOGS OR ANY OTHER MATERIALS AS FUEL; THEY ARE NOT SAFE. DO NOT BURN GARBAGE OR FLAMMABLE FLUIDS.**
- **THE USE OF UNAUTHORIZED FUEL SUCH AS COAL COULD PRODUCE HIGH HEAT EXCEEDING THE CAPABILITIES OF THE CAST IRON BOWL, ASH GRATES, AND GRILLING IRONS CAUSING WARPAGE, CRACKING, AND FAILURE.**

The quality of your firewood directly affects heat output, duration of burn and performance of your appliance. Softwoods generally burn hotter and faster, while hardwoods burn longer and produce better coals. Density and moisture content are two critical factors to consider when purchasing or preparing wood for your appliance.

The following is a list of some wood species and their relative BTU (British Thermal Unit) content. The higher the BTU content, the longer the burn. Firewood with higher BTUs is generally ideal for a wood stove

Wood Heat Value: Sorted By Btu Content		
Common Name	Lb/ cord	MBTU/ cord
High		
Osage Orange (Hedge)	4,728	32.9
Hickory, Shagbark	4,327	27.7
Hop Hornbeam (Ironwood)	4,267	27.3
Beech, Blue (Ironwood)	3,890	26.8
Birch, Black	3,890	26.8
Locust, Black	3,890	26.8
Hickory, Bitternut	3,832	26.7
Locust, Honey	3,832	26.7
Apple	4,100	26.5
Mulberry	3,712	25.8
Oak, White	4,012	25.7
Medium High		
Beech, European	3,757	24
Maple, Sugar	3,757	24
Oak, Red	3,757	24
Ash, White	3,689	23.6
Birch, Yellow	3,689	23.6

Medium		
Juniper, Rocky Mtn	3,150	21.8
Elm, Red	3,112	21.6
Coffee tree, Kentucky	3,112	21.6
Hackberry	3,247	20.8
Tamarack	3,247	20.8
Birch, Gray	3,179	20.3
Birch, White (Paper)	3,179	20.3
Walnut, Black	3,192	20.2
Cherry	3,120	20
Ash, Green	2,880	19.9
Cherry, Black	2,880	19.9
Elm, American	3,052	19.5
Elm, White	3,052	19.5
Sycamore	2,808	19.5
Ash, Black	2,992	19.1
Maple, Red	2,924	18.7
Fir, Douglas	2,900	18.1
Medium Low		
Boxelder	2,797	17.9
Alder, Red	2,710	17.2

Pine, Jack	2,669	17.1
Pine, Norway (Red Pine)	2,669	17.1
Pine, Pitch	2,669	17.1
Catalpa	2,360	16.4
Hemlock	2,482	15.9
Spruce, Black	2,482	15.9
Pine, Ponderosa	2,380	15.2
Low		
Aspen, American	2,290	14.7
Butternut (Walnut, White)	2,100	14.5
Spruce	2,100	14.5
Willow	2,100	14.5
Fir, Balsam	2,236	14.3
Pine, White (Eastern, Western)	2,236	14.3
Fir, Concolor (White)	2,104	14.1
Basswood (Linden)	2,108	13.8
Buckeye, Ohio	1,984	13.8
Cottonwood	2,108	13.5
Cedar, White	1,913	12.2

Moisture content also plays a key role in the performance of your appliance. Wood freshly cut from a living tree (green wood) contains a great deal of moisture. As you might expect, green wood burns poorly. You must season green wood before using it in your appliance. To season green wood properly, split, stack, and allow it to air dry for a period of one year. Green wood may provide less than 2000 Btu per pound, whereas dry wood can provide up to 7000 Btu per pound.

Stack the firewood on skids or blocks to keep it off the ground, cover only the top of the stack. Plastic or tarps that cover the sides of the woodpile trap moisture and prevent the wood from drying. As for stacking, an old Vermonter said, "The spaces between the logs should be large enough for a mouse to get through, but not for the cat that's chasing it."

- **CAUTION: DO NOT STORE FIREWOOD WITHIN THE STOVE'S SPECIFIED CLEARANCES TO COMBUSTIBLE MATERIALS.**

BUILDING A FIRE

Once you understand the arrangement of your outdoor appliance and have the appropriate firewood, you are ready to start a fire.

- **WARNING: NEVER USE GASOLINE, GASOLINE-TYPE LANTERN FUEL, KEROSENE, OR SIMILAR**

LIQUIDS TO START OR 'FRESHEN UP' A FIRE IN THIS APPLIANCE. KEEP ALL SUCH LIQUIDS WELL AWAY FROM THE HEATER WHILE IT IS IN USE.

stability, wobble and to re-level if necessary. Essential that the stand is secure and bolted down.

REMOVAL AND DISPOSAL OF ASHES

You can leave a thin layer of ashes in the Fire Bowl if preferred. Allow fire to die down or go out completely. It is important to prevent ashes from building up around the Ash Grates. To remove ashes, use a fireplace shovel. Avoid removing large live coals by pushing them to the side and removing only the finer ash with a shovel. It may be necessary to lift out the Ash Grates temporarily with a poker or hook temporarily while cleaning out the ash from the Fire Bowl.

Disposal of ashes - Ashes should be placed directly into a **metal** container with a tight fitting lid. Do not place any other items or trash into the metal container. Do not pour water into the container. Replace the container's lid and allow the ashes to cool. Never place the ash disposal container on a combustible surface or vinyl flooring, as the container could be **hot!**

Pending disposal, place the closed ash container on a noncombustible floor or on the ground outside, well away from all combustible materials, liquid fuels, or vehicles. Retain ashes in the closed container until all coals thoroughly cool.

If the ashes are disposed of by burial in soil or otherwise locally dispersed, they should be retained in the closed container until all cinders have thoroughly cooled.

NEVER place ashes in wooden or plastic containers, in trashcans with other trash, or in paper or plastic bags, no matter how long the fire has been out. Coals within a bed of ashes can remain hot for several days once removed from the firebox.

MAINTENANCE

When the Outdoor Appliance is cool, it is a good idea to periodically check the hardware, tightening any hardware that may have worked loose. Also check the Fire Bowl, Levelling Base, and Fire Grill Stand for



LIMITED WARRANTY

These warranties give you specific legal rights. You may also have other rights, which vary from State to State.

Hearthstone Quality Home Heating Products, Inc. (Hearthstone) warrants to the original retail purchaser only (the "Original Purchaser") the new appliance manufactured by Hearthstone, purchased by the Original Purchaser and installed by an authorized Hearthstone dealer or their designated representative against any of the occurrences listed in this document that result from defects in material or workmanship for a period of one (1) year. This warranty is not transferrable. All obligations of Hearthstone under this document commence on the date of the Original Invoice (the "Purchase Date").

Hearthstone appliances are designed to be operated only with the fuels listed in your owner's manual.

Any parts repaired or replaced during the limited warranty period will be warranted under the terms of the limited warranty for a period not to exceed the remaining term of the original limited warranty or one year, whichever is longer.

Parts: Hearthstone will replace through an authorized dealer, defective parts covered by the foregoing warranty at no charge.

Labor: Within the first (1st) year after the Purchase Date, Hearthstone will pay for warranty labor performed by an authorized Dealer at Hearthstone's published labor rates in effect at the time the labor is performed only if the appliance is installed by an authorized dealer or their designated representative. Otherwise or thereafter, the Original Purchaser is responsible for the cost of labor.

Shipping cost for parts: Within the first ninety (90) days after the Purchase Date, Hearthstone will pay for the shipping of appliance parts covered by any of the foregoing warranties to and from Hearthstone or an authorized Dealer, as the case may be. Thereafter, the Original Purchaser is responsible for all shipping costs related to shipping appliance parts to and from Hearthstone or an authorized Dealer, as the case may be.

Shipping cost for the appliance: Within the first (1st) year after the Purchase Date, if the Original Purchaser is instructed to return the appliance to Hearthstone or an authorized Dealer for repair, Hearthstone will pay fifty percent (50%) and the Original Purchaser will pay fifty percent (50%) of the shipping costs related to shipping the appliance to and from Hearthstone or an authorized Dealer, as the case may be. Thereafter, the Original Purchaser is responsible for one hundred percent (100%) of all of the shipping costs related to shipping the appliance to and from Hearthstone or an authorized Dealer, as the case may be. Notwithstanding any other provision of this document, in no event will Hearthstone pay for any Dealer fees or other fees for pick up or delivery of the appliance returned for repair; the Original Purchaser shall be responsible for any such fees.

EXCLUSIONS & CONDITIONS

The warranties contained in this document do not cover, nor is Hearthstone responsible for:

1. Damages resulting from:
 - a. Failure to install, operate, or maintain the appliance in accordance with the owner's manual, operating instructions, installation instructions, or safety rating label provided with the appliance.
 - b. Over-firing the appliance. Over-firing can be identified by, but not limited to, warped cast iron or steel, rust colored cast iron, bubbling, cracking and discoloration of steel or enamel finishes.
 - c. Failure to install the appliance in accordance with all national or local building codes.
 - d. Shipping or improper handling.
 - e. Improper operation, abuse, misuse, continued operation with damaged, corroded, or failed components, accident, or improper/incorrect service or repairs.

- f. Environmental conditions, inadequate ventilation, or other such causes.
 - g. Use of fuels other than those specified in the owner's manual.
 - l. Installation or use of components not supplied with the appliance, or any other components not expressly authorized and approved by Hearthstone.
 - J. Modifications of the appliance not expressly authorized and approved by Hearthstone in writing
2. All stones are warranted against cracking or breakage due to thermal stress, excluding surface and hairline cracks and scratches that do not affect the operation, or safety of the appliance.
 3. Repair or replacement of wear parts. Such parts that are subject to normal wear and tear during the warranty period such as paint.
 4. Damage resulting from installation, modification, alteration, repair or service of the appliance by any party other than an authorized Hearthstone dealer (a "Dealer") or their designated representative, or Hearthstone.
 5. Damage due to water or condensation due to installation of the appliance in a high moisture area.
 6. Damage due to installation of the appliance in an atmosphere contaminated by damaging chemicals, including but not limited to chlorine, fluorine or salts.
 7. Scratches on paint, enameled surfaces or stones due to mechanical abrasion.
 8. Noise caused by expansion or contraction caused by the heating and cooling of the appliance.
 9. Odors caused by the heating of the appliance, or surrounding materials
 10. Consequential damage caused by leaking of condensate during startup
 11. A defect in any part of the appliance if the Original Purchaser fails to comply with Hearthstone's or a Dealer's request to ship the part or the appliance to Hearthstone or a Dealer, as the case may be.
 12. Replacement stones and enameled parts are taken from current stock, and may not match originals in color, grain, or pattern. Hearthstone will supply replacement parts for discontinued parts in finishes or colors as available, or at their discretion.
 13. Hearthstone's obligation under this warranty does not extend to the appliance's ability to heat the desired space. Information is provided to assist the customer and the dealer in selecting the appropriate appliance for the application. Consideration must be given to appliance location and configuration, environmental conditions, insulation and air tightness of the structure.

THE WARRANTIES CONTAINED IN THIS DOCUMENT ARE EXCLUSIVE AND ARE GIVEN BY HEARTHSTONE AND ACCEPTED BY THE ORIGINAL PURCHASER IN LIEU OF ALL OTHER EXPRESS WARRANTIES AND ANY OBLIGATIONS, LIABILITIES, RIGHTS, CLAIMS, OR REMEDIES IN CONTRACT OR TORT, WHETHER OR NOT ARISING FROM HEARTHSTONE'S NEGLIGENCE, ACTUAL OR IMPUTED. ALL IMPLIED WARRANTIES, INCLUDING THE WARRANTIES OF MERCHANTABILITY AND FITNESS FOR A PARTICULAR PURPOSE, ARE GIVEN ONLY TO THE EXTENT REQUIRED BY FEDERAL OR STATE LAW. EXCEPT AS OTHERWISE REQUIRED BY STATE LAW, UPON THE EXPIRATION OF THE EXPRESS LIMITED WARRANTIES CONTAINED HEREIN, NO IMPLIED WARRANTIES, INCLUDING THE IMPLIED WARRANTIES OF MERCHANTABILITY OR FITNESS FOR A PARTICULAR PURPOSE, SHALL APPLY TO THE SUBJECT APPLIANCE. SOME STATES DO NOT ALLOW LIMITATIONS ON HOW LONG AN IMPLIED WARRANTY LASTS, SO THE ABOVE LIMITATION MAY NOT APPLY TO YOU.

THE WARRANTIES CONTAINED IN THIS DOCUMENT EXTEND ONLY TO THE ORIGINAL PURCHASER OF THE APPLIANCE WARRANTED HEREUNDER. THEY ARE NOT TRANSFERRABLE AND DO NOT EXTEND TO ANY SUBSEQUENT OWNERS.

UNDER NO CIRCUMSTANCES SHALL HEARTHSTONE BE LIABLE TO THE ORIGINAL PURCHASER OR ANY OTHER PERSON FOR ANY INCIDENTAL OR CONSEQUENTIAL DAMAGES, INCLUDING BUT NOT LIMITED TO DAMAGE TO PROPERTY OR PERSONAL INJURIES, WHETHER ARISING OUT OF LOSS OF USE, BREACH OF WARRANTY, TORT, OR OTHERWISE, EVEN IF HEARTHSTONE HAS BEEN APPRAISED OF THE POSSIBILITY OF SUCH DAMAGES. SOME STATES DO NOT ALLOW THE EXCLUSION OR LIMITATION OF INCIDENTAL OR CONSEQUENTIAL DAMAGES, SO THE ABOVE LIMITATION OR EXCLUSION MAY NOT APPLY TO YOU.

QUALIFYING FOR WARRANTY COVERAGE

To obtain performance of any obligation under this document, the Original Purchaser must, within the applicable warranty time period, contact their original Hearthstone dealer, or the current responsible local Hearthstone dealer, for instructions regarding the return of defective parts for repair, the return of the appliance for repair, or to

schedule a Dealer service call. The Original Purchaser should refer to the Dealer Network search engine contained on Hearthstone's Web site (www.hearthstonestoves.com) if the original dealer is not available, to find a Hearthstone dealer nearest to the Original Purchaser's location.

REMEDY

The remedy for any breach of the foregoing warranties will consist of repair or replacement, at Hearthstone's option, of any covered defect in the appliance. When the Original Purchaser contacts a Hearthstone Dealer, the Dealer on behalf of Hearthstone, as the case may be, will instruct the Original Purchaser to either return the defective part, or the entire appliance (if requested), to the Dealer or Hearthstone or allow a Dealer to make a service call at the place where the appliance is located. Hearthstone may require that a digital picture be provided to support the claim. Notwithstanding any other provision of this document, the Original Purchaser shall pay for any fees and service charges related to a Dealer's service call or the shipping charges associated with the return.

WARRANTY REGISTRATION

The Original Purchaser can complete their warranty registration on our website at www.hearthstonestoves.com, or send a completed and signed Warranty Registration Form, which is enclosed in the appliance document packet, to the following address:

Hearthstone Quality Home Heating Products, Inc.
Warranty Department
317 Stafford Avenue
Morrisville, VT 05661

NOTE: SENDING IN THE SIGNED WARRANTY REGISTRATION FORM IS *NOT REQUIRED* AS A CONDITION OF WARRANTY COVERAGE OR HEARTHSTONE'S PERFORMANCE.

NOTE: FOR PURCHASES MADE IN NEW ZEALAND PLEASE CONTACT THE FIREPLACE

Distributed by



Head Office & Showroom
12 Tawari Street
Mt Eden, Auckland, New Zealand
+649 623 6990
thefireplace.co.nz