










Gazco Reflex 75T with Edge frame & EchoFlame Black Glass Lining

Beyond exceptional.

With stunning flames that dance and wrap around ultra-realistic logs atop a glowing ember bed... the Gazco Reflex range looks so real you may find it hard to believe it's a gas fire. The fire is designed with a frameless 'Edge' finish for an inbuilt installation that seamlessly integrates with your interior.

Offering the ultimate in gas fire realism, the portrait Reflex gas 75T fire is a high heat fire that provides the ultimate in contemporary fireside ambience, with nothing but the expansive flame picture on show.

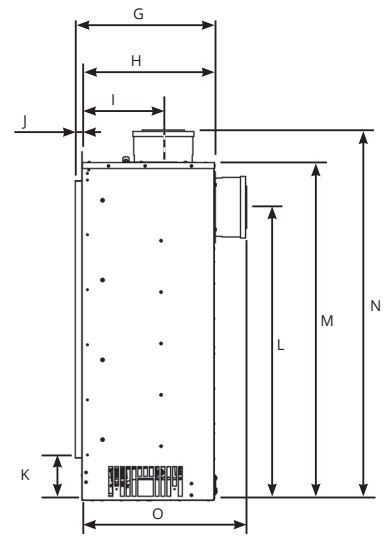
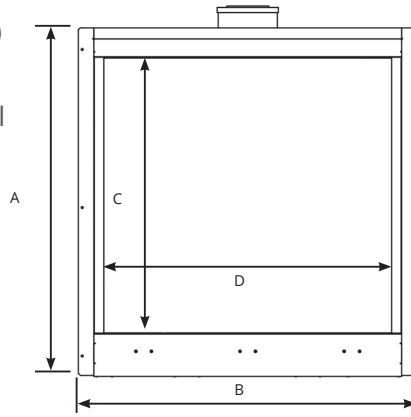
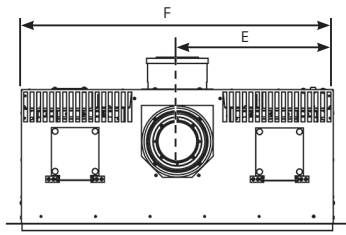
Key Features

-  Ultra-realistic logset & flames
-  Non-reflective glass for crystal-clear view
-  Fan-free, quiet experience
-  Balanced Flue for high efficiency
-  EcoFlex gas saving mode
-  Thermostatic & programmable remote
-  Optional smartphone or tablet control

Product Specifications

(All dimensions in millimetres)

| | |
|--------------|-------------------------|
| Heat Output | up to 8.3kW |
| Efficiency | 92% |
| Fuel Type | Natural Gas / LPG (NZ) |
| Flue Type | Balanced Flue |
| Terminations | Vertical and Horizontal |
| Ignition | Mains Power |



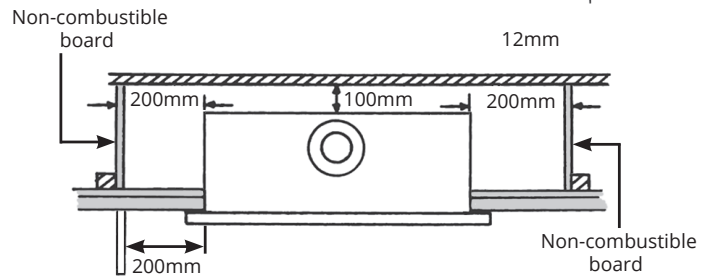
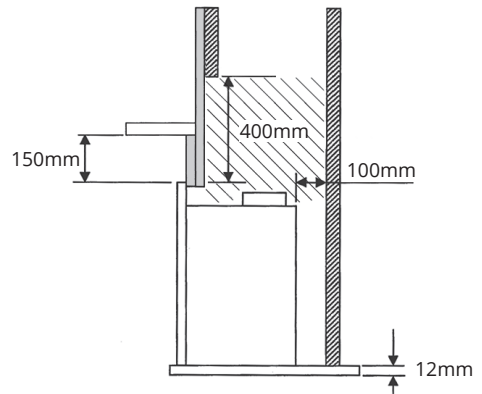
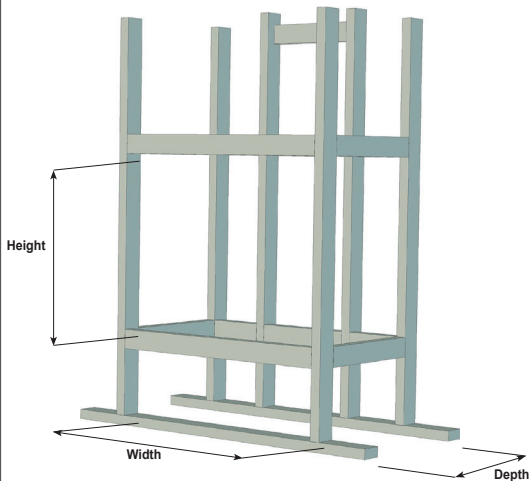
| MODEL | A | B | C | D | E | F | G | H | I | J | K | L | M | N | O |
|------------|-----|-----|-----|-----|-----|-----|-----|-----|-----|----|-----|-----|-----|-----|-----|
| Reflex 75T | 896 | 877 | 711 | 745 | 400 | 801 | 361 | 344 | 211 | 17 | 109 | 754 | 868 | 952 | 427 |

Cavity Information

IMPORTANT: PLEASE REFER TO COMPREHENSIVE INSTALLATION INSTRUCTIONS PRIOR TO CONSTRUCTION AND INSTALLATION
 DOWNLOAD FROM: www.thefireplace.co.nz

Cavity Dimensions

| Description | Height | Width | Depth |
|------------------|--------|-------|-------|
| Gazco Reflex 75T | 1265 | 1201 | 444 |



Options & Accessories

3 Lining options



EchoFlame Black Glass Lining



Black Reeded Lining



LedgeStone Lining



Exclusive New Zealand Distributor

The Fireplace Ltd

12 Tawari Street, Mt Eden

Auckland 1024, New Zealand

Ph: 09 623 6990

Email: service@thefireplace.co.nz

www.thefireplace.co.nz

Your Local Retailer