



# Arts, Wave & Chartwell Fronts

For use with Gazco 16" VFC Convector,  
Logic Convector/Hotbox, Logic HE,  
E-Box™ and E-Studio™



**Instructions for Use and Installation**  
For use in GB, IE (Great Britain and Republic of Ireland)

# Installation Instructions

Frame and Frame Installation  
Covering frame model numbers:

## Logic Hotbox/Logic Convector/VFC Frame Choice

Finish	Box Profil Frame		Arts Frame		Profil Frame	Decorative Frame
	Manual & Remote Control	Slide Control	Manual & Remote Control	Slide Control	Manual & Remote Control	Manual & Remote Control
<b>Matt Black</b>	901-219	901-223	8284MB	901-021	8345	8285
<b>Polished Brass</b>	901-178*	901-239*	8284PBR	901-058	8340	8266
<b>Polished Steel</b>	901-269*	901-244*	8284P	901-087	8342	8232
<b>Brushed Steel</b>	901-344*	901-251*	8284BS	901-111	8229	8235

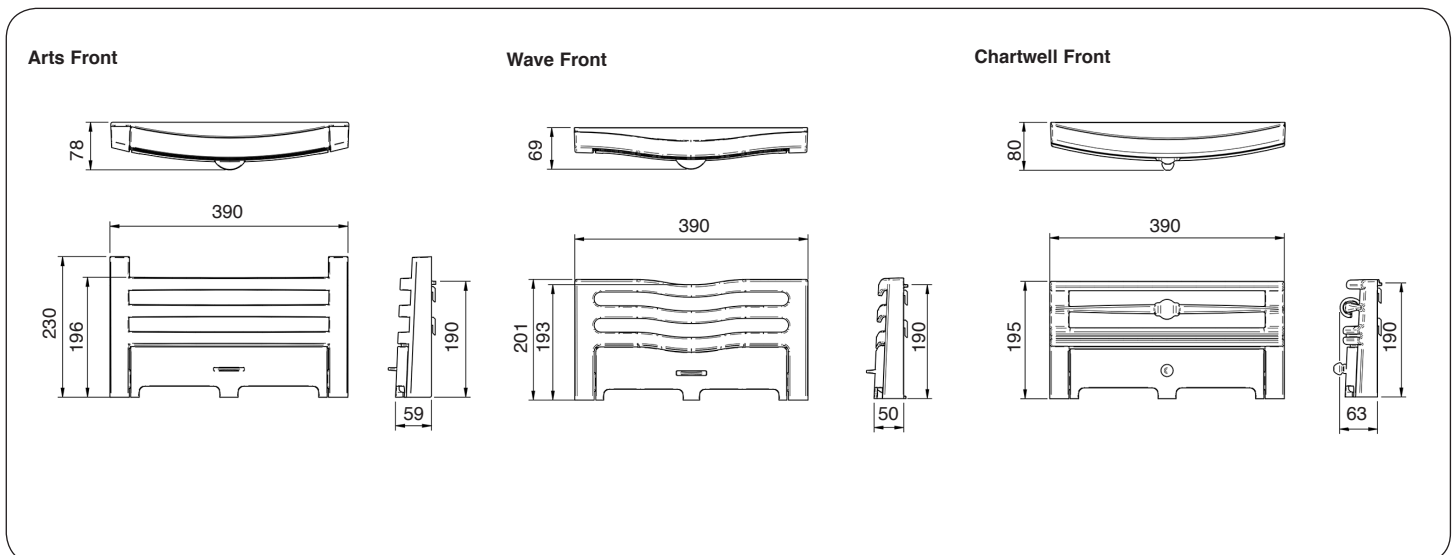
## E-Box™/E-Studio™/Logic HE Frame Choice

Finish	Box Profil2 Frame		Arts2 Frame	
	Manual & Remote Control	Slide Control	Manual & Remote Control	Slide Control
<b>Matt Black</b>	912-232	901-272	912-862	901-167
<b>Polished Brass</b>	912-140*	901-286*	912-508	901-194
<b>Polished Steel</b>	912-027*	901-299*	912-914	901-206
<b>Brushed Steel</b>	912-358*	901-310*	912-268	901-214

## Front Choice - All models

Finish	Arts Front	Wave Front	Chartwell Front
<b>Matt Black</b>	901-425	901-024	901-159
<b>Polished Brass Effect</b>	901-530	901-061	901-164
<b>Polished Chrome Effect</b>	901-476	901-083	901-170
<b>Highlight Polished</b>	901-296	901-092	901-185

\* Effect



# Installation Instructions

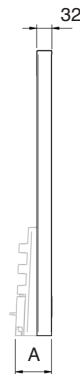
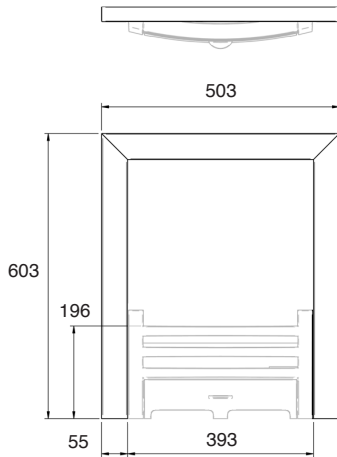
## 1. General

- 1.1 These instructions are supplementary to, and must be read in conjunction with, the instructions supplied with the appliance. Read both thoroughly before installation.
- 1.2 Fitting of this frame and front is to be carried out after the appliance has been installed.
- 1.3 Ensure that these supplementary instructions are attached to the appliance installation instructions and leave with the user.

### Logic Hotbox, Logic Convector and VFC Convector

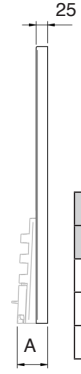
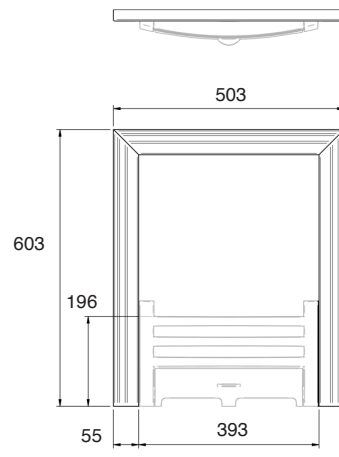
Arts Front shown  
All dimensions in mm

#### Box Profil Frame



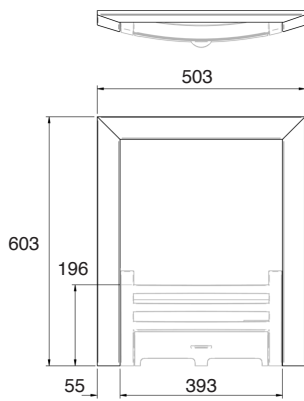
Box Profil Frame	
A	
Arts	77
Wave	68
Chartwell	72

#### Decorative Frame



Decorative Frame	
A	
Arts	66
Wave	57
Chartwell	61

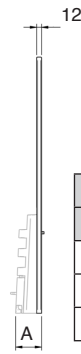
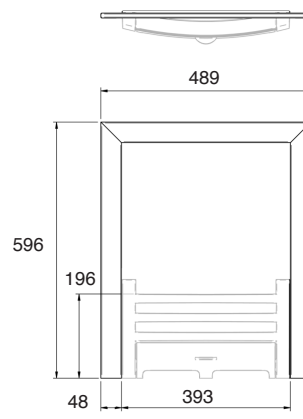
#### Arts Frame



Arts Frame			
	A	B	C
Arts	77	51*	10*
		54.5**	13.5**
Wave	68	51*	10*
		54.5**	13.5**
Chartwell	72	51*	10*
		54.5**	13.5**

\* Manual & Remote  
\*\* Slide Control

#### Profil Frame

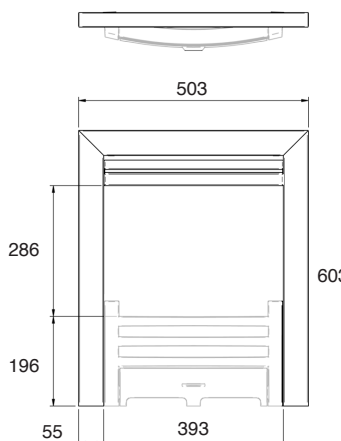


Profil Frame	
A	
Arts	60
Wave	51
Chartwell	55

### Logic HE, E-Box and E-Studio

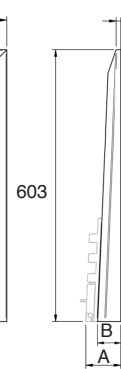
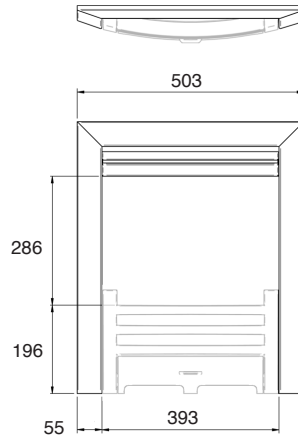
Arts Front shown  
All dimensions in mm

#### Box Profil2 Frame



Box Profil2 Frame	
A	
Arts	77
Wave	68
Chartwell	72

#### Arts2 Frame



Arts2 Frame			
	A	B	C
Arts	77	51*	10*
		54.5**	13.5**
Wave	68	51*	10*
		54.5**	13.5**
Chartwell	72	51*	10*
		54.5**	13.5**

\* Manual & Remote  
\*\* Slide Control

# Installation Instructions

## 2. Commissioning

### Logic Hotbox/ Logic Convector/ VFC Convector

If fitting the decorative frame and front to a Logic Hotbox, Logic Convector or VFC convector ensure that the commissioning tests are carried out **AFTER** fitting the frame and front.

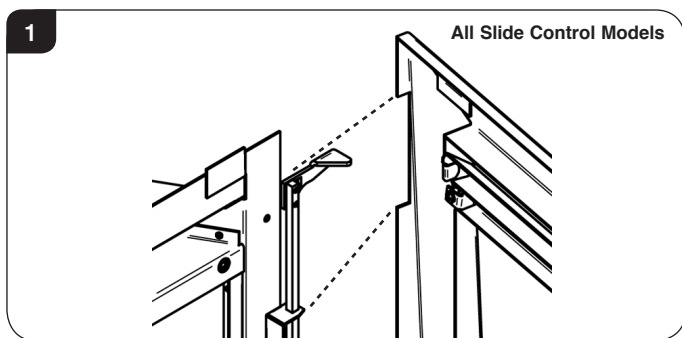
### Logic HE/ E-Box/ E-Studio

If fitting the decorative frame and front to a Logic HE, E-Box or E-Studio ensure that the commissioning tests are carried out **BEFORE** fitting frame and front because the louvre obstructs access.

## 3. Fitting Arts or Box Profil Frames

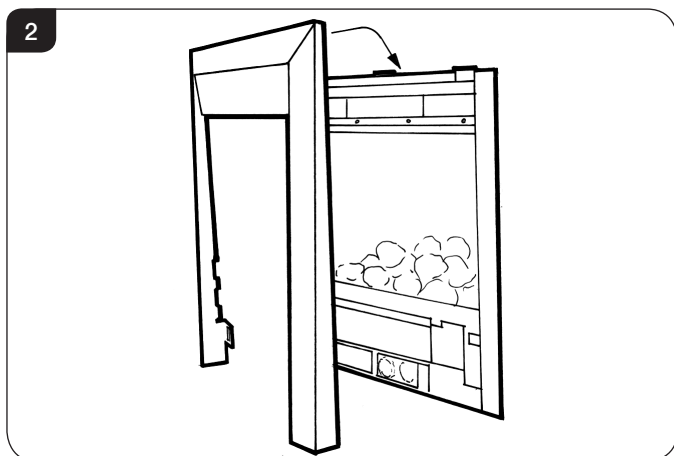
### Logic HE Slide Control Models only

**All Slide Control Models**  
**Caution:** When fitting the frame ensure that the cutout fits around the slide mechanism, see Diagram 1. Take care not to damage the slide control handle during installation.

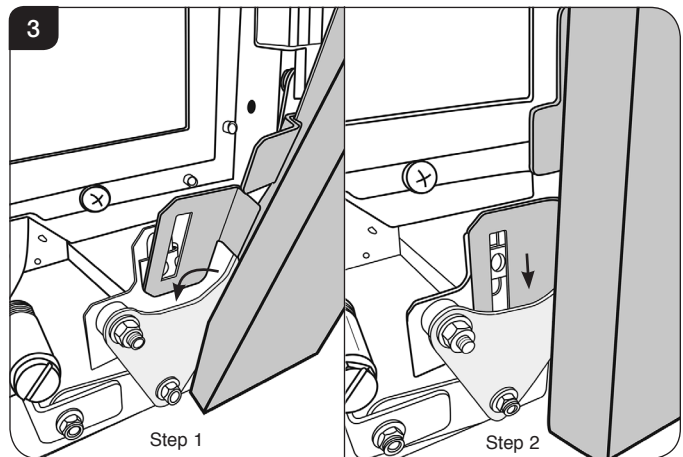


All Models

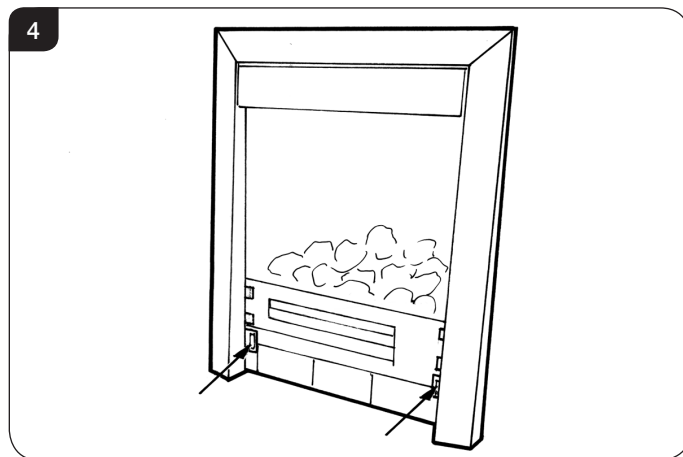
3.1 Locate top edge of frame onto tabs found at the top of convector box and push down firmly to ensure correct fitting, see Diagram 2.



**All Slide Control Models**  
**Caution:** When fitting the frame ensure that the lower tabs locate behind the slide control mechanism, see Diagram 3.

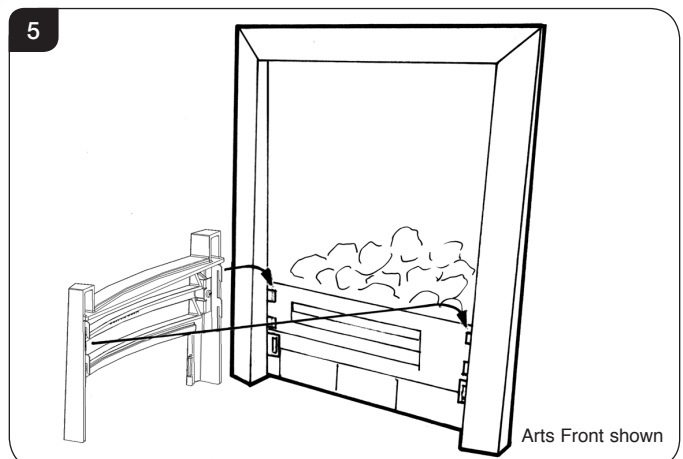


3.2 Secure frame at base with fixing screws as shown to ensure rigid fixing, see Diagram 4.



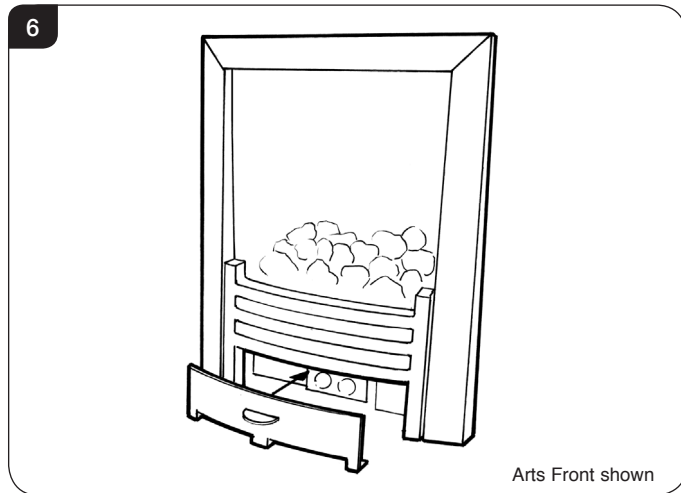
## 4. Fitting Arts, Wave or Chartwell Front to Logic Hotbox/ Logic Convector Box fitted with an Arts or Box Profil Frame

4.1 Align front with locating lugs on either side of frame and push down into position, see Diagram 5.



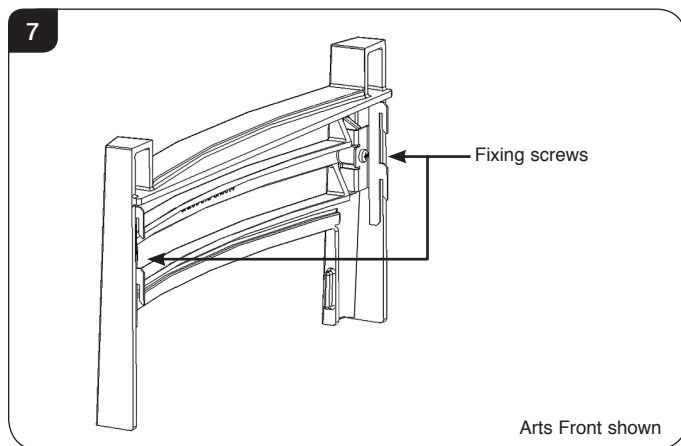
# Installation Instructions

- 4.2 Place ash pan cover into position at base of the front, see Diagram 6.

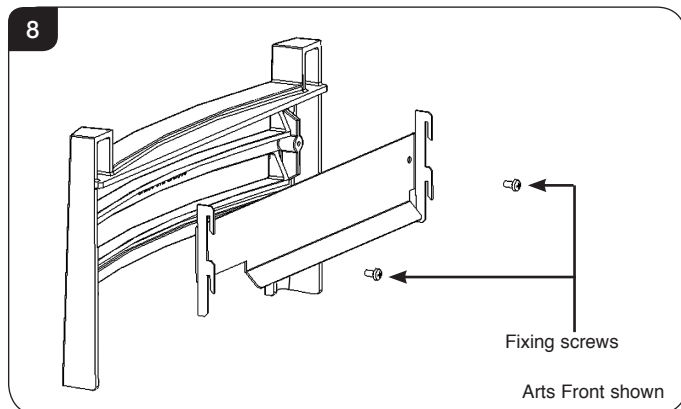


## 5. Fitting Arts, Wave or Chartwell Front to E-Box™/ E-Studio™/ Logic HE/ VFC fitted with an Arts or Box Profil Frame

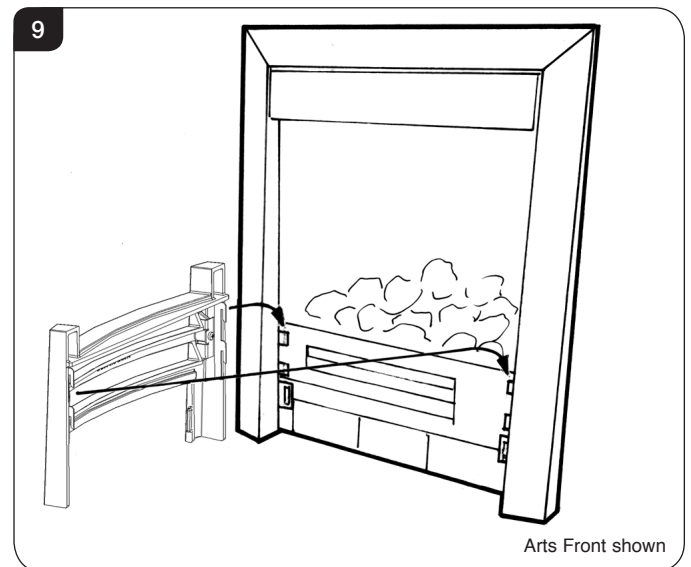
- 5.1 Remove the metal hooks from the back of the Arts Front but keep the screws used to hold them in place, see Diagram 7.



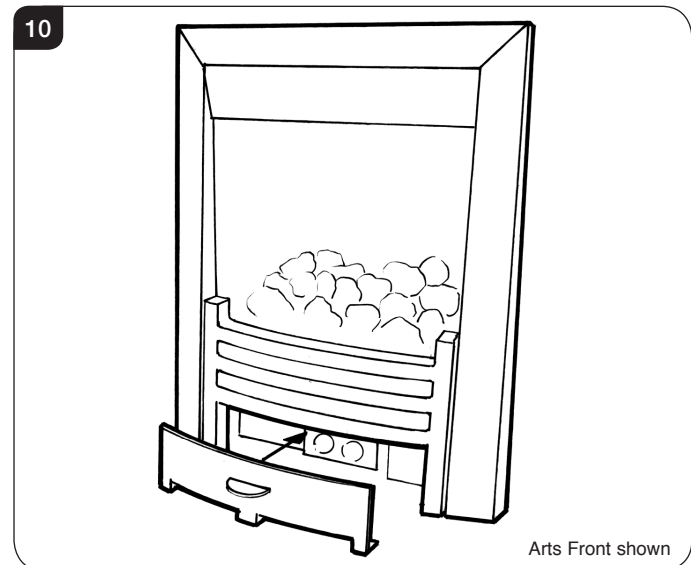
- 5.2 Replace with the baffle from the fixing kit, see Diagram 8.



- 5.3 Align front with locating lugs on either side of frame and push down into position, see Diagram 9.



- 5.4 Place ash pan cover into position at base of the front, see Diagram 10.



# Installation Instructions

## 6. Fitting Profil or Decorative Frame to Logic Hotbox/ Logic Convector/ VFC

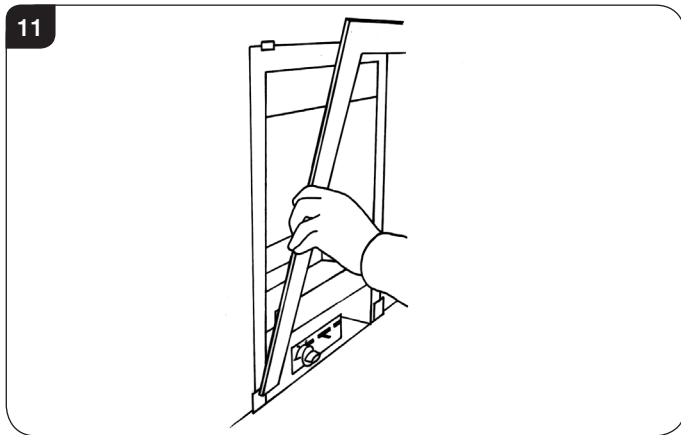


**Slide Control Models only:**  
**Caution:** When fitting the front ensure that the cutout fits around the slide mechanism, see Diagram 1. Take care not to damage the slide control handle during installation.

The following instructions cover the fitting of the decorative frame for all models.

- 6.1 There are tabs at the foot of the firebox. Slide the frame onto these tabs and push the frame flat upright.

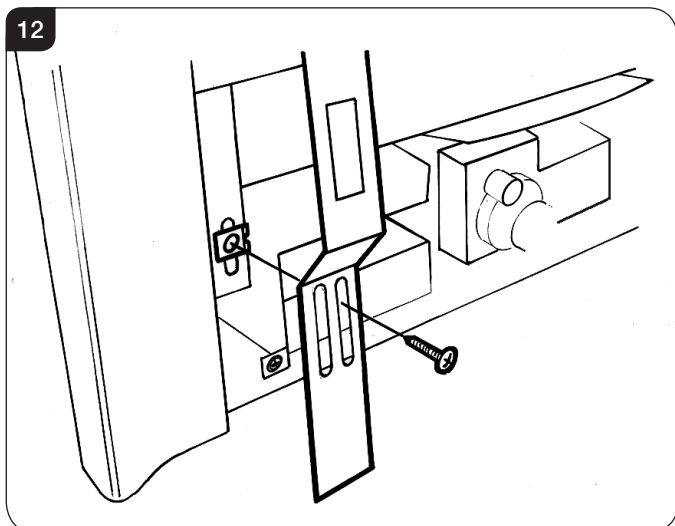
Slide the frame downwards to connect with top tabs, see Diagram 11.



11

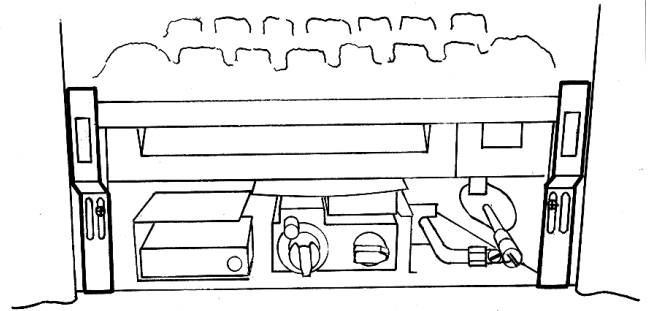
## 7. Fitting Arts, Wave or Chartwell Front to Logic Hotbox or Logic Convector fitted with a Profil or Decorative Frame

- 7.1 Fit the two front fixing brackets to the convector box using the screws provided, see Diagrams 12 and 13.



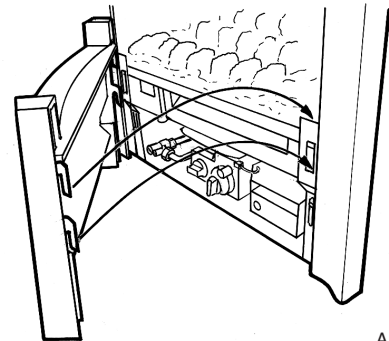
12

13



- 7.2 Fit the front lugs onto the brackets as shown in Diagram 14, and push down.

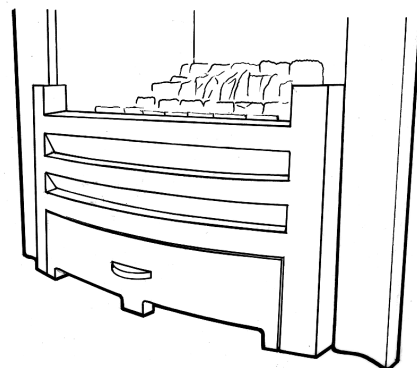
14



Arts Front shown

- 7.3 Place the ash pan cover in position at base of the front, see Diagram 15.

15

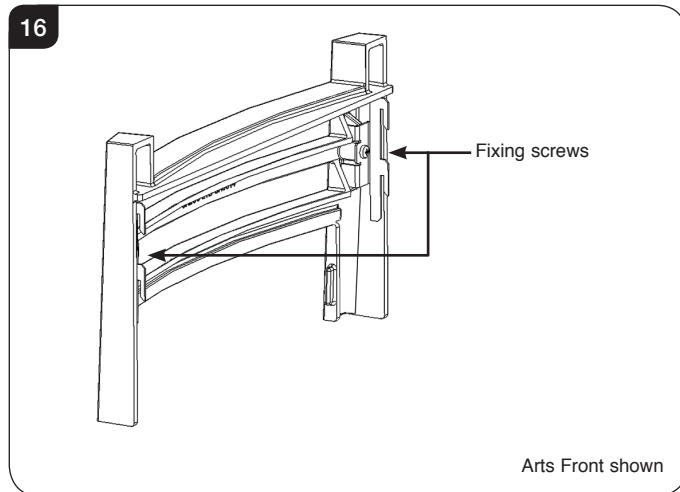


Arts Front shown

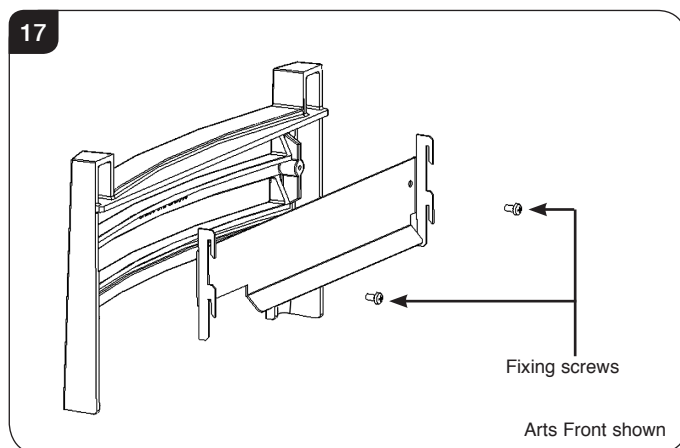
# Installation Instructions

## 8. Fitting Arts, Wave or Chartwell Front to VFC fitted with a Profil or Decorative Frame

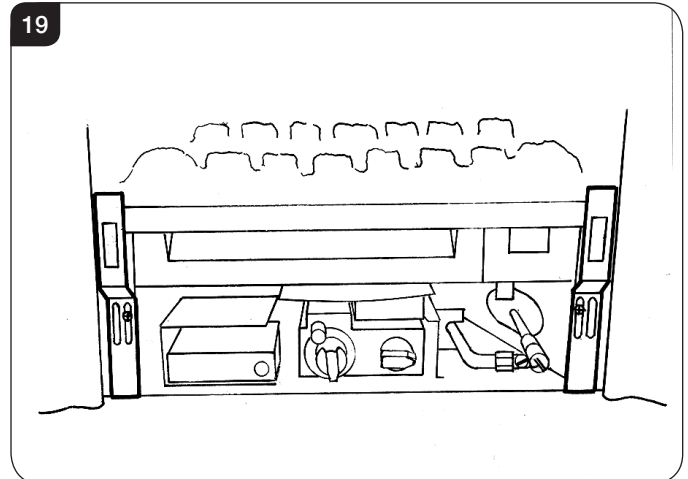
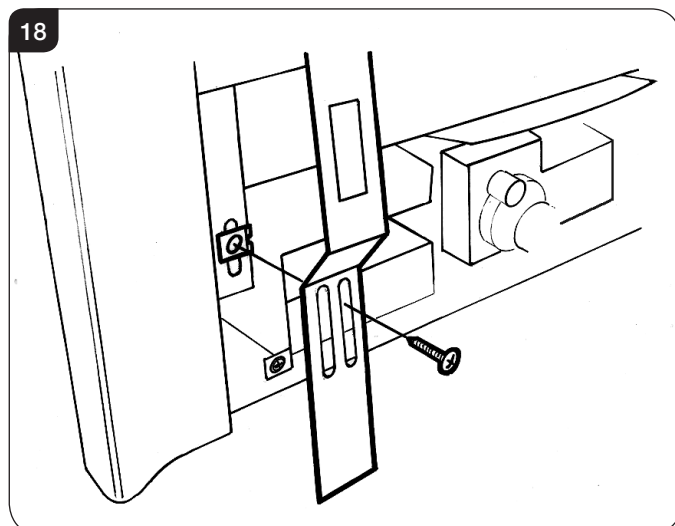
8.1 Remove the metal hooks from the back of the Arts Front but keep the screws used to hold them in place, see Diagram 16.



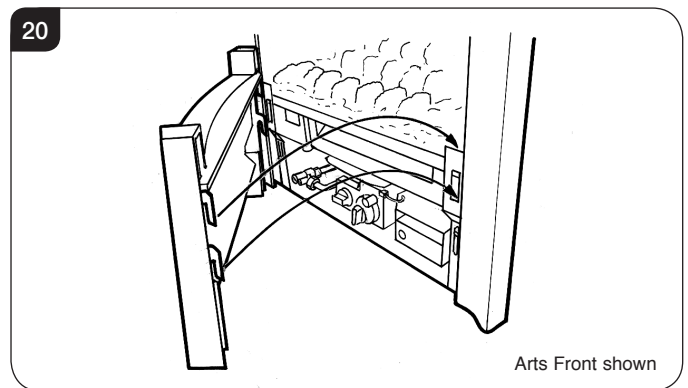
8.2 Replace with the baffle from the fixing kit, see Diagram 17.



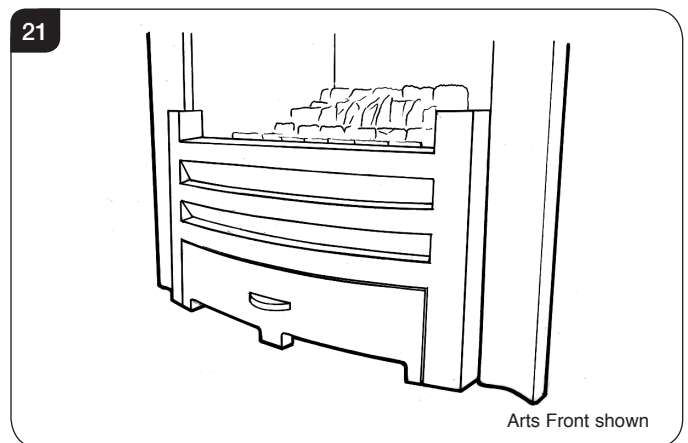
8.3 Fit the two front fixing brackets to the convector box using the screws provided, see Diagrams 18 and 19.



8.4 Fit the front lugs onto the brackets as shown in Diagram 20, and push down.



6.5 Place the ash pan cover in position at base of the front, see Diagram 21.





# Installation Instructions

## 9. Cleaning the Frame & Front

**Ensure the appliance is cold before attempting to clean the frame and front.**

- 9.1 All frames and fronts\* should be cleaned using a damp cloth and buffed with a lint free duster.

\* The polished highlight front should be cleaned using a non abrasive metal polish product but care should be taken not to touch the painted areas.

NOTE: Do not use metal cleaning products on any of the other frame finishes.

- 9.2 Access to the controls is behind the ash pan cover.

**Gazco Limited, Osprey Road, Sowton Industrial Estate, Exeter, Devon, England EX2 7JG**  
**Technical Customer Services (01392) 261950 Fax: (01392) 261951**  
**E-mail: [technicalservices@gazco.com](mailto:technicalservices@gazco.com)**