

100mm

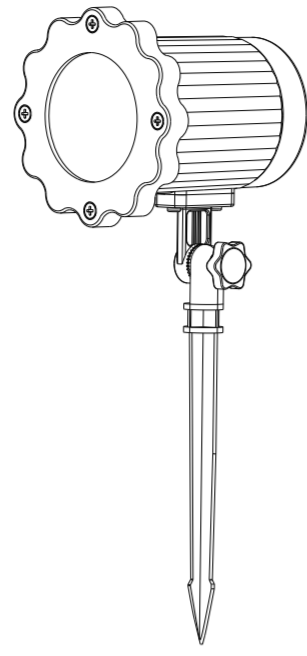
100mm

100mm

# nexsmart

## LASER PROJECTOR

### USER MANUAL



ONLY USE SUPPLIED  
TRANSFORMER

140mm

#### Important Safeguard

To reduce the risk of fire, electric shock or injury when using any electrical appliance Precautions should be taken. These precautions include, but are not limited to: read all instructions warning! Use only as directed. Do not attempt to operate the device with the protective case open, and if the device does not work, please contact the manufacturer. Opening the device will void the warranty.

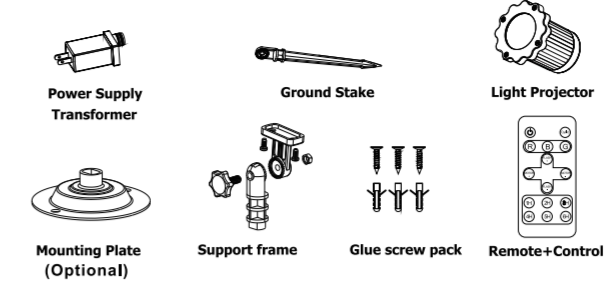
#### Notice:

Strictly follow these operating instructions, do not disassemble the main unit and accessories. This product is suitable for indoor/outdoor use. This product is projected by a laser, do not use the light directly on the eyes and keep away from children.

#### Unboxing inspection

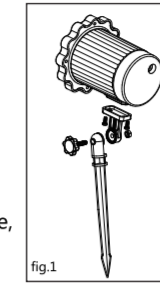
Thank you for purchasing our product, please read the instruction manual carefully before use. The instruction manual contains necessary safety advice and user instructions, please follow the instruction manual to avoid damage to the product due to misuse. When you receive the product, please check whether the product is damaged and the accessories are complete.

#### The packing list is as follows:



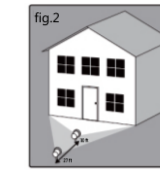
#### Assembly:

1. Install the support bracket as shown on the right, and lock the screws.
2. Twist the ground plug (see Figure 1).
3. Tighten the waterproof cap, Plug the power adapter into a power outlet.
4. The above is for outdoor use, such as indoor use, Ground plug replaced with mounting plate.



#### Placing the Projector Lamp

The projection lamp can be fixed on the ground, removing the ground plug, it can also be fixed on the on a solid object. Position the lamp approximately 10 to 27 feet from the projection surface (see Figure 2). You can also adjust the distance as needed for best results.



100mm

100mm

100mm

#### Notice:

Adjust the angle by loosening and tightening the screw (see Figure 3). Only use the power supplied to connect to a properly grounded outdoor outlet. In order to ensure the service life of the product, it is recommended to work for 6 hours, Rest for half an hour.

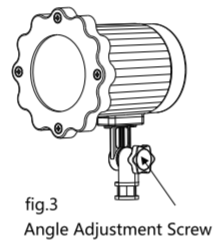
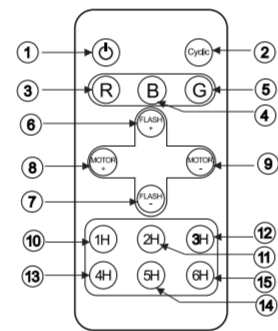


fig.3  
Angle Adjustment Screw

#### Remote control function description:



① Main switch key

② Auto cycle mode: red light for 2S, green light for 2S, blue light for 2S, red and green light for 2S at the same time, green and blue light for 2S at the same time, red and blue light for 2S at the same time, red, blue and green light for 2S at the same time, cycle, the motor is slow speed working status .

③ Press "R", the red laser is on; Press it again, the red laser is off

④ Press "B", the blue laser lights up; press it again, the blue laser light goes out

⑤ Press "G", the green laser lights up; press it again, the green laser light goes out

⑥ Increase the strobe speed ( First select the laser color key before turning on the strobe)

⑦ Decrease the strobe speed

⑧ Motor acceleration

⑨ Motor deceleration

⑩ Control the timing function for 1 hour. When the laser is on, the laser prompt will flash three times, after 1 hour, it will automatically turn off, and after 23 hours, it will automatically turn on, looping all the time;

⑪ Control the timing function for 2 hours. When the laser is on, the laser prompt will flash three times, after 2 hours, it will automatically turn off, and after 22 hours, it will automatically turn on, looping all the time;

⑫ Control the timing function for 3 hours. When the laser is on, the laser prompt will flash three times, after 3 hours, it will automatically turn off, and after 21 hours, it will automatically turn on, and it will cycle all the time;

⑬ Control the timing function for 4 hours. When the laser is on, the laser prompt will flash three times, after 4 hours, it will automatically turn off, and after 20 hours, it will automatically turn on, and it will cycle all the time;

⑭ Control the timing function for 5 hours. When the laser is on, the laser prompt will flash three times, after 5 hours, it will automatically turn off, and after 19 hours, it will automatically turn on, looping all the time;

⑮ Control the timing function for 6 hours. When the laser is on, the laser prompt will flash three times, after 6 hours, it will automatically turn off, and after 18 hours, it will automatically turn on, and it will cycle all the time.

#### Remark:

1. Color button R/G/B: select the corresponding color, which is always on and off; if 3 colors are selected at the same time, it will become always on for 3S, off for 0.5S, and cycle;

2. Timing buttons 1H, 2H, 3H, 4H, 5H, 6H: After power-on, the default 6H timing shutdown, cycle switch every 24 hours (on for 6H, shutdown for 18H, and then on, and it will continue to cycle);

3. Strobe button: You need to select the color key first to have this function

4. Within 5 seconds after power-on, press and hold the remote control key for 3 seconds. This lamp is only controlled by this remote control. Repeat this operation after power-off.

140mm

100mm

#### Product Specifications:

Input rated voltage 5VDC  
Maximum working current 1.2A  
Maximum power 6W  
Working temperature -20~40 °C  
Waterproof grade lamp body IP65  
Projection distance 3-20M

#### How to get rid of the product again:

This appliance has been identified in accordance with the European directive 2022/96/EG on Waste electrical and Electronic Equipment - WEEE.

The directive specifies the framework for an EU-wide valid return and recycling of old appliance. Please discard this product at the recycling site.

