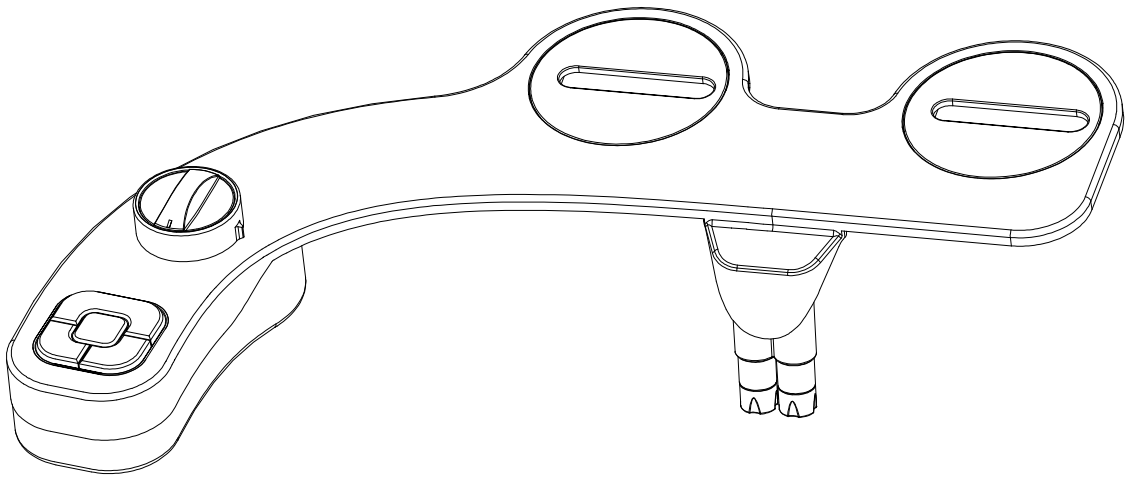
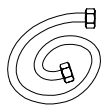
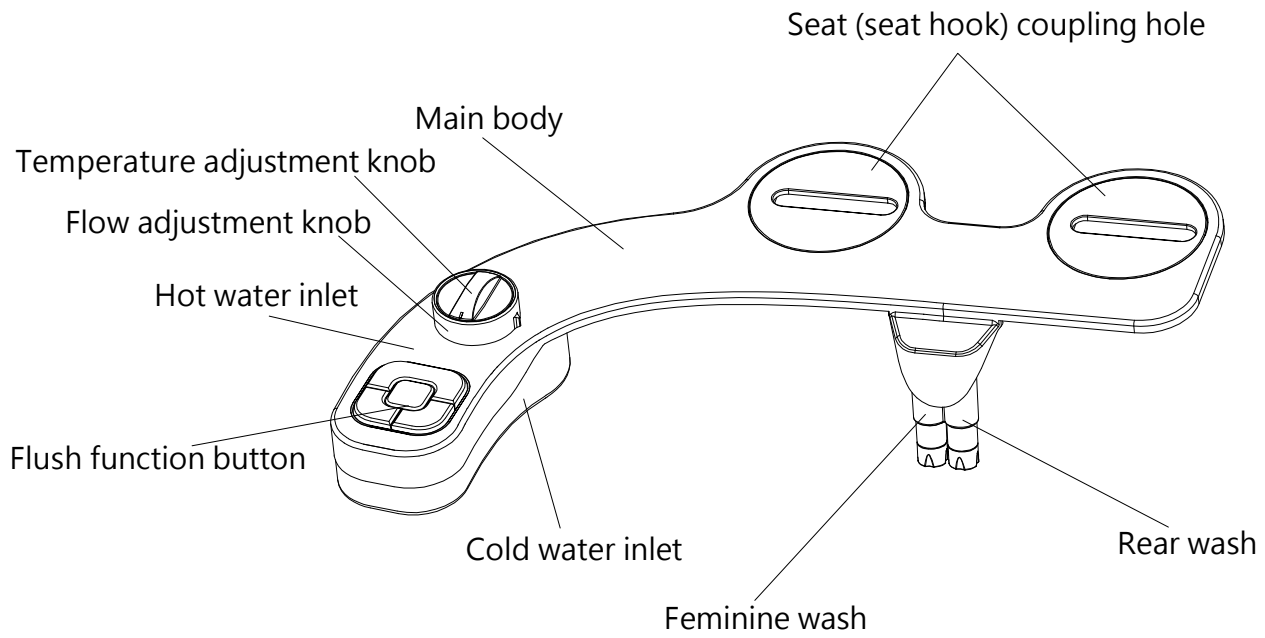


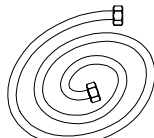
# INSTRUCTION MANUAL



# Names And Functions Of Parts



Tube



Tube



T-adapter



T-adapter

## Installation Tools Needed



Wrench

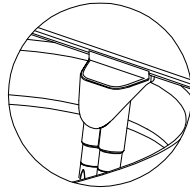


Screwdriver

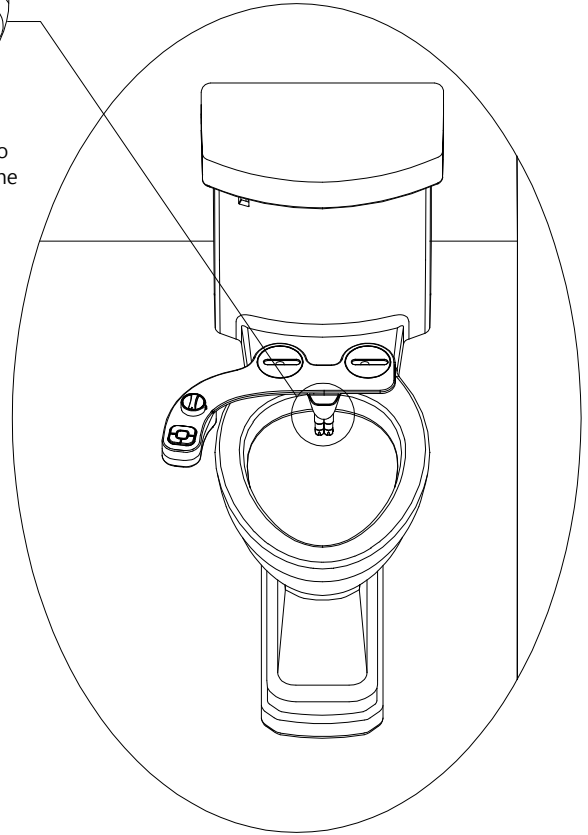
# Install The Bidet



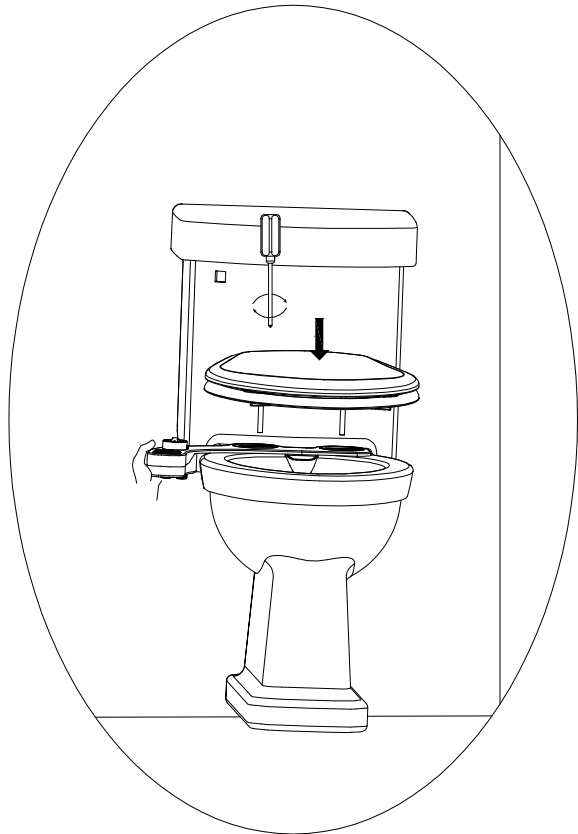
a



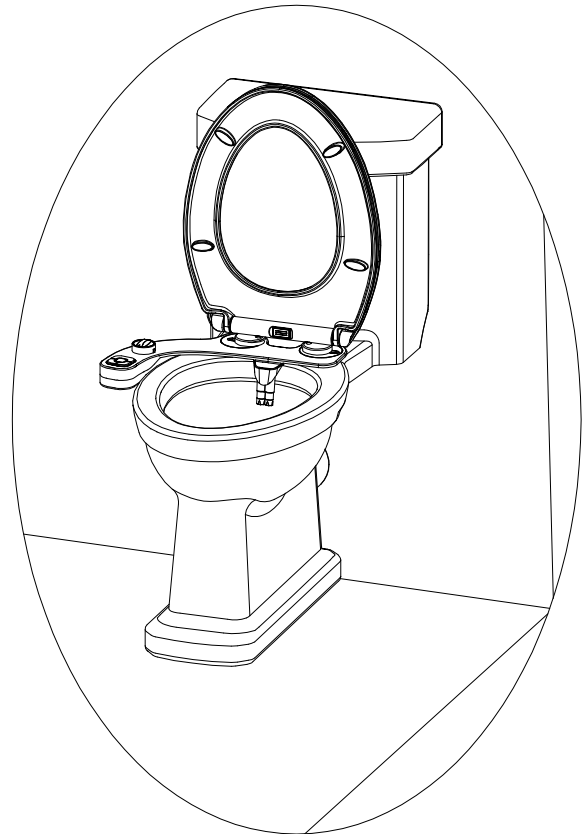
Adjust the nozzle position and try to make it close to the rim of the toilet.



b

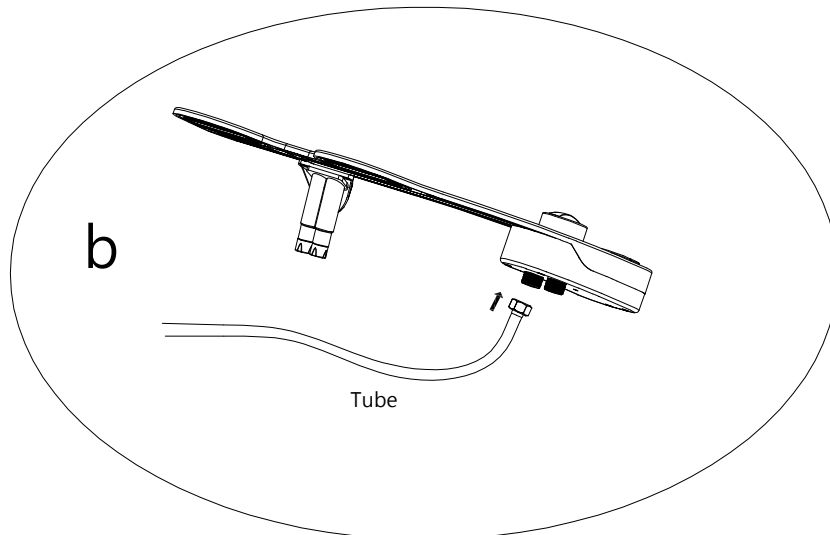
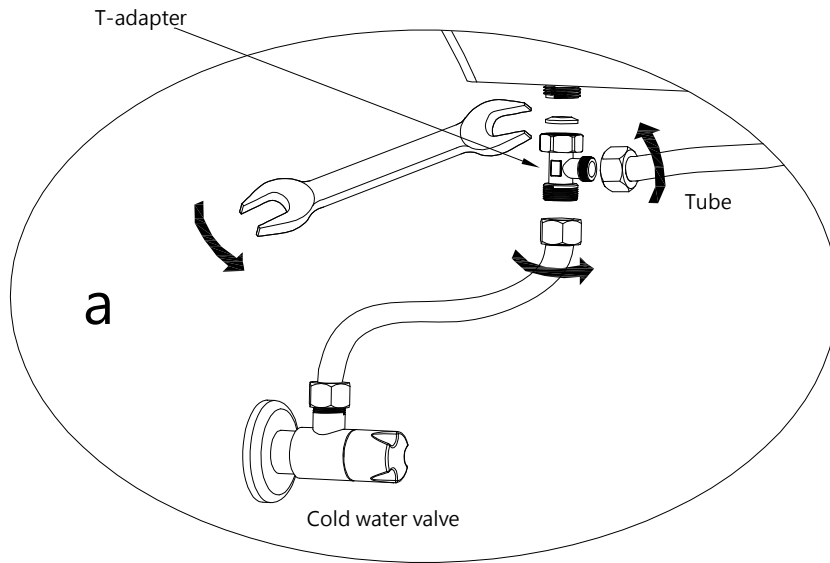
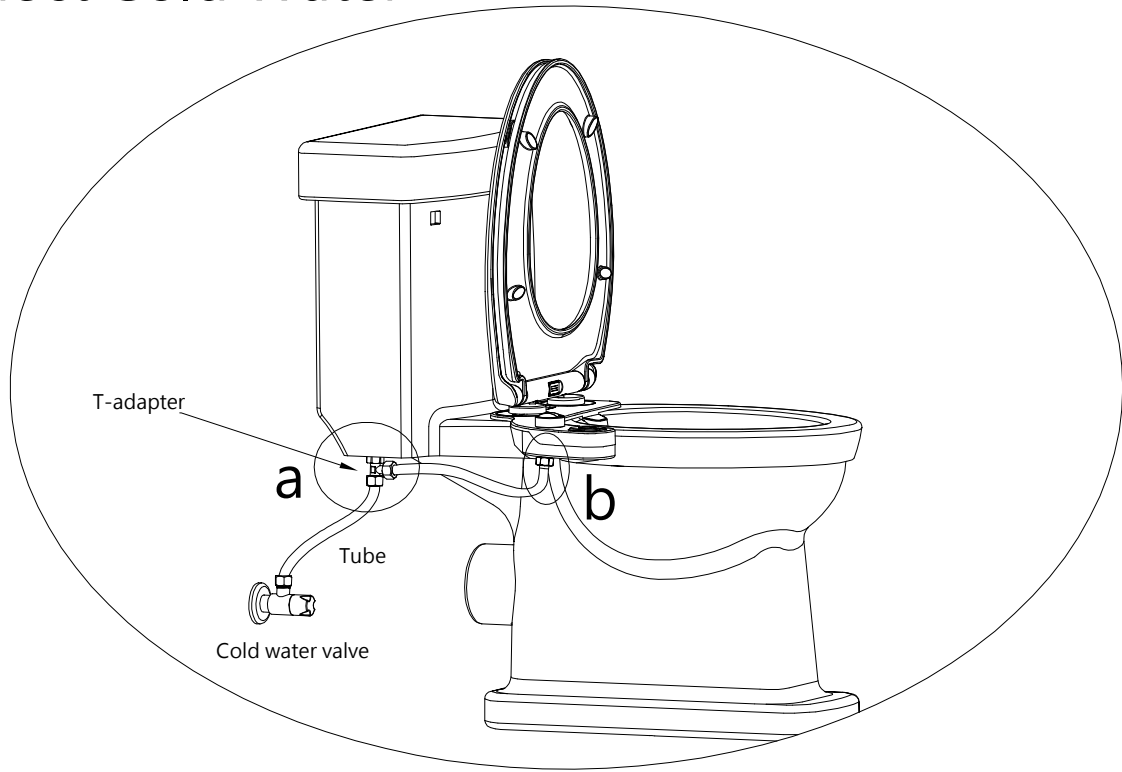


c

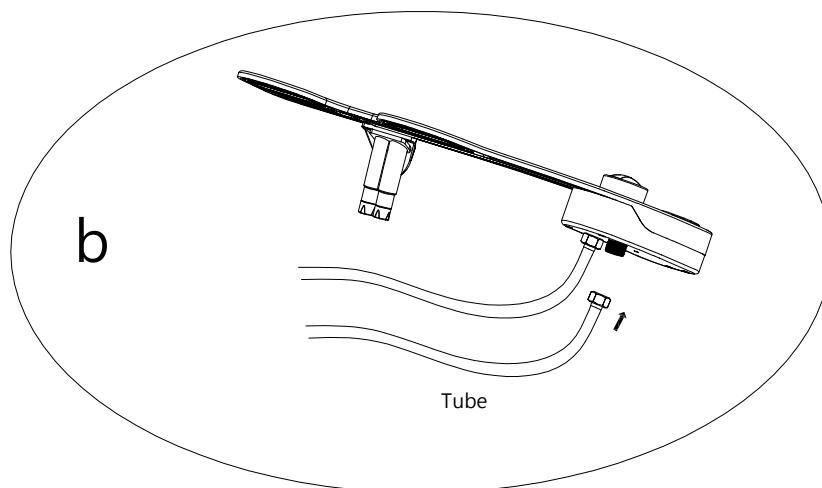
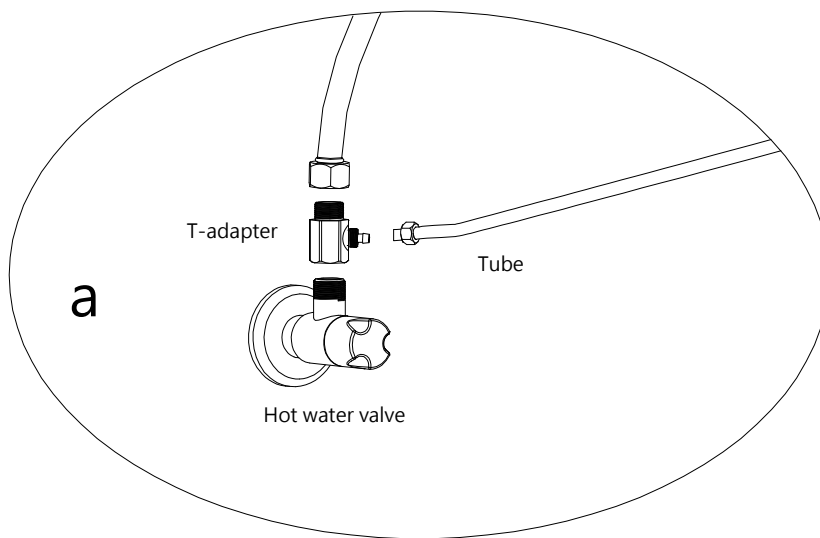
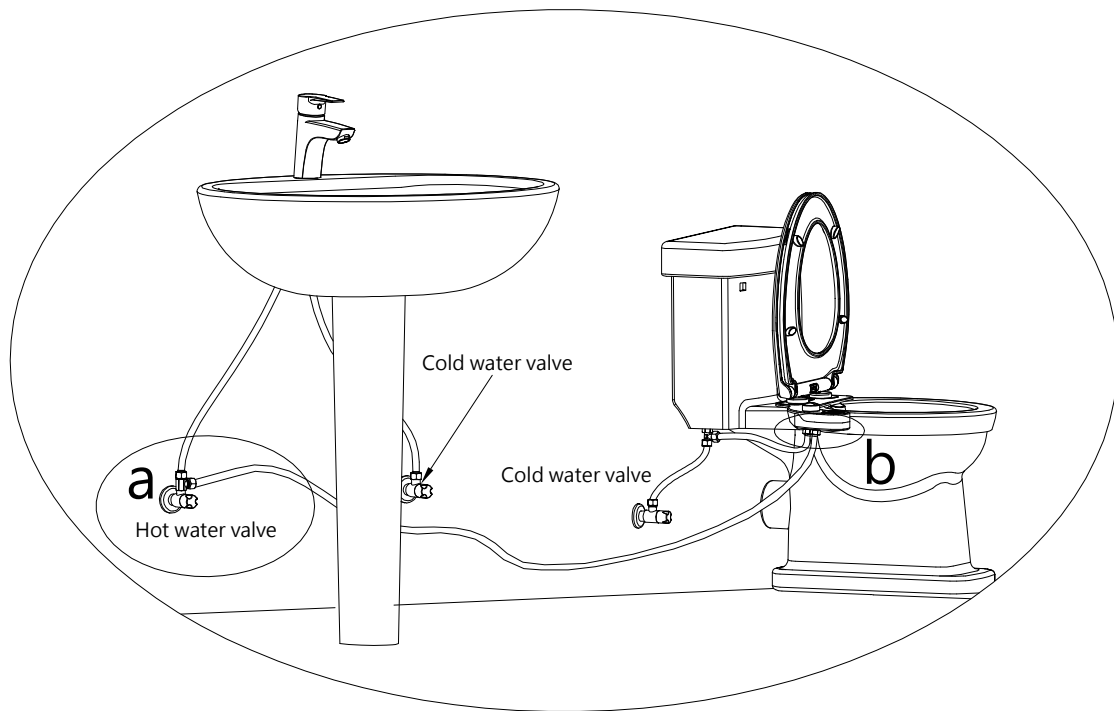


d

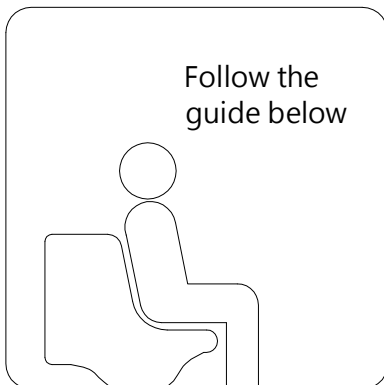
# Connect Cold Water



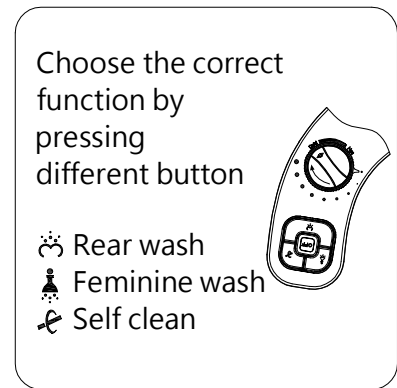
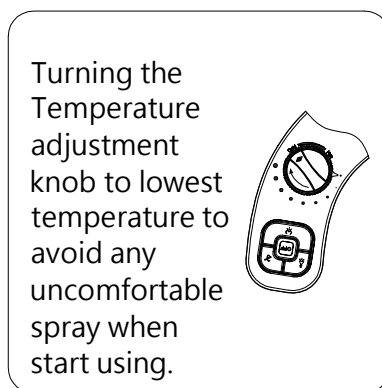
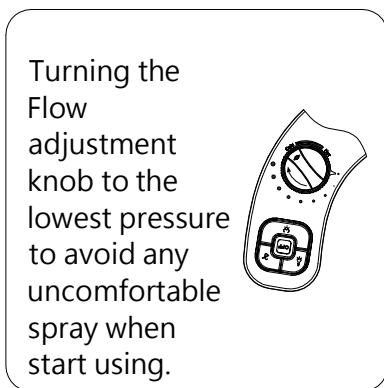
# Connect Hot Water



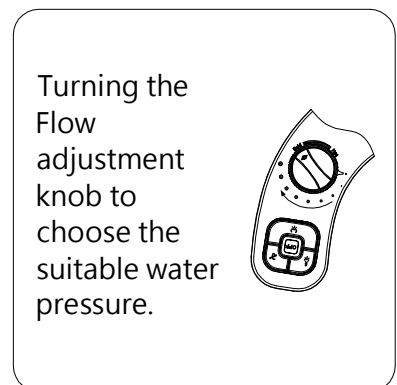
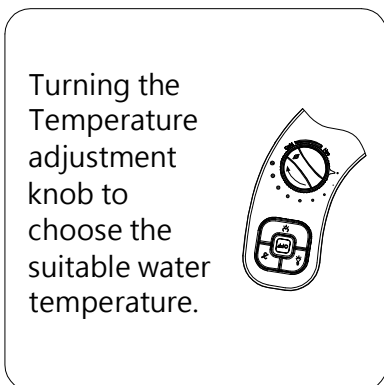
# Operating Instructions



## 1. Select the nozzle function using the button.



## 2. Adjust the water flow.



## 3. Use as long as needed.

