

Cru. Champion

The ultimate tool for wood-fired cooking
- Designed and manufactured in Portugal -

The heirloom quality **Cru Champion wood-fired oven** will transform your cooking experience. Made entirely of 1mm thick AISI304 Stainless Steel, it will stand the test of time and will remain in great working condition for years to come.

Weight

97 lbs (oven); 48.5 lbs (refractory brick);
Total (Including chimney and accessories):
145.5 lbs

Dimensions

31" x 30" x 37.5"

Materials

1 mm thickness Stainless Steel AISI304
(structure)
Lacquered Aluminum (cover)

Color

Stainless Steel + Anthracite

Oven Opening

17.4" x 7.75"

CBM (With Pallet)

0.391248

Features

- Thermometer
- Burning Wood Rack

Cooking Area

24" x 24"

Max. Temperature

450°C. / 842°F.

Heat Up Time

15 min

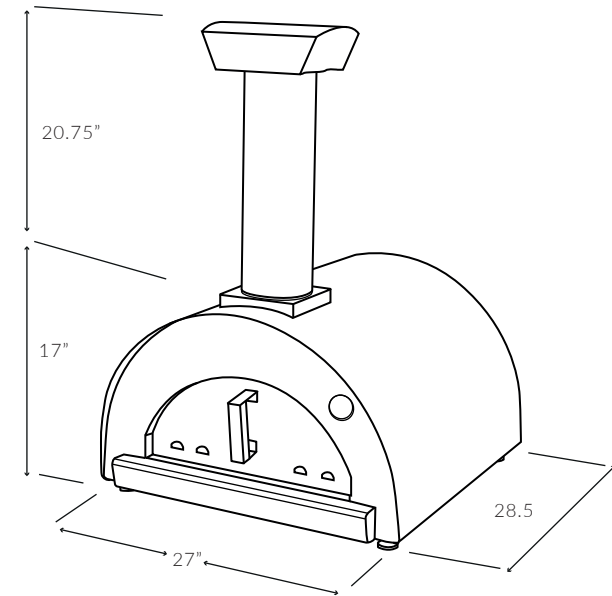
Recommended Fuel

Well-seasoned wood*

CBM (Without Pallet)

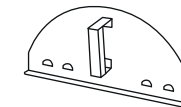
0.314184

*The smaller the pieces of wood, the faster they burn, producing more heat and transforming into embers sooner. We recommend starting with small pieces to get the fire going and raising the temperature, then adding a larger piece to maintain heat while cooking.



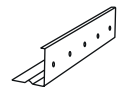
Thermometer

Ø 2"



Door

18.3" x 8.15"



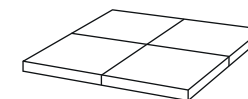
Burning wood rack

17.7" x 3" x 3.5"



Chimney Tube

19.7" x 5.5"



Refractory brick

4 pieces – 12" x 12"



Chimney Top

10.4" x 7.3" x 2.75"