

BOOM MOUNTED CUTTER-HEAD



FRONT



MOUNTED



Designed for small tractors with a boom arm and small excavators / track hoes

ph: (843) 879-0208 | Fax: (843) 879-0218 | e: sales@gyrotrac.com

CALL FOR A DEMO TODAY!

www.gyrotrac.com | toll free +1 (866) 800-3900
Copyright © 2023 Gyro-Trac Corporation. All rights reserved.

DIMENSIONS

| | |
|---------------|-------------------|
| Cutting Width | 49 in (125 cm) |
| Width | 60 in (152 cm) |
| Depth | 30 in (76cm) |
| Height | 25 in (64 cm) |
| Weight | 980 lbs. (445 kg) |

SPECIFICATIONS

| | |
|----------------------|----------------------|
| No. of Teeth | 20 TEETH |
| Hyd. Flow up to | 50 gpm (189 lpm) |
| Oper. Pressure up to | 4500 psi (310 bar) |
| Tractor HP | 60-110 HP (45-82 kw) |

CASE DRAIN RETURN PRESSURE

| | |
|---------------------------|-----------------|
| Maximum (continuous) | 29 psi. (2 bar) |
| Intermittent (Cold Start) | 89 psi. (6 bar) |

The only Heavy-Duty Cutter-Head on the market that weighs less than 1,000 pounds and can handle hydraulic flows up to 50 gpm.

ALWAYS THE FIRST, ALWAYS THE BEST

Gyro-Trac introduced the first front attachment with PLANAR teeth & controlled bite RIB in 2003. Gyro-Trac developed the trade name "PLANAR" tooth for mulching. Today, Gyro-Trac is first to introduce the **BEST**, most **ADVANCED** and **PATENTED** cutting technology.

INTERNAL DRIVE MOTOR

US Pat. No. 7,980,278
CA Pat. No. 2,597,973

CONTROLLED BITE

US Pat. No. 7,810,531
US Pat. No. 9,839,914
CA Pat. No. 2,546,294

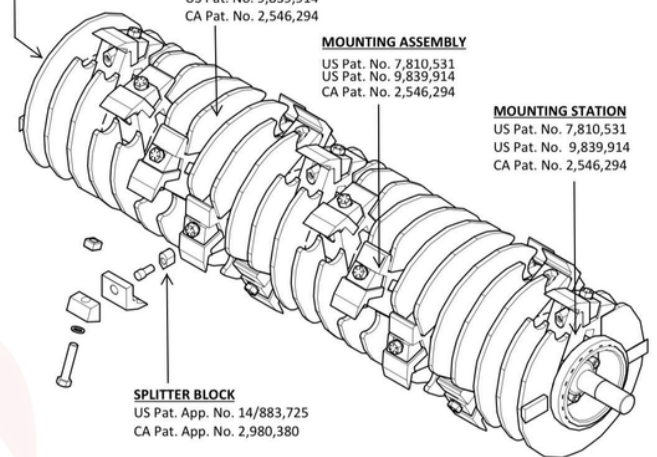
LET THE FACTS SPEAK FOR THEMSELVES!

MOUNTING ASSEMBLY

US Pat. No. 7,810,531
US Pat. No. 9,839,914
CA Pat. No. 2,546,294

MOUNTING STATION

US Pat. No. 7,810,531
US Pat. No. 9,839,914
CA Pat. No. 2,546,294



SPLITTER BLOCK

US Pat. App. No. 14/883,725
CA Pat. App. No. 2,980,380

*Gyro-Trac owns over 20 Patents and Patents Pending, including the above Cutter-head Patents.

SALES@GYROTRAC.COM

BOOM MOUNTED CUTTER-HEAD

ABOUT THE MACHINE

Gyro-Trac's **SABRE-TOOTH TITAN** cutting technology PULVERIZES Wood into Sawdust-like Mulch. The new **SABRE-TOOTH** design is the NEXT GENERATION of "disruptive technology", improving on Gyro-Trac's Planar tooth.

It begins with a **WIDER TOOTH**, held in place with a **WEDGED FRICTION BLOCK**, taking all the force off of the single bolt . **THAT'S RIGHT!** Only one bolt to quickly and easily replace worn teeth.

The **CONTROLLED BITE** is now achieved with **TWO** instead of one control rib under the tooth. The distance between control ribs is wider.

The **KNOCK-OUT RELIEF** that reduces resistance by allowing the wood chip to curl into the relief, now has a **SPLIT BLOCK** strategically placed to **SPLIT THE CHIP** and further **REDUCE** the size of the wood chip. This new design creates a **SELF-CLEANING** effect, clearing the tooth for the next bite.

SABRE-TOOTH TITAN cutting technology PULVERIZES Wood into Sawdust-like Mulch

With a perfectly tuned hydraulic recipe you can now understand how Gyro-Trac machines can **mulch more wood with Less Weight, Less Energy and Less Fuel** than any of our competitors. You can also understand how the smallest mulch in the business leaves behind that famous, Gyro-Trac "Park-Like effect", and the fine, rapidly biodegradable mulch just simply Won't Wick Fire, making a Gyro-Trac *the perfect machine for cutting fire breaks.*

SALES@GYROTRAC.COM