

# 400 HL HI/LO FLOW CUTTER-HEAD



## FRONT



## SIDE



## DIMENSIONS

Cutting Width	49 in (125 cm)
Width	60.25 in (153 cm)
Depth	36 in (92 cm)
Height	38.5 in (97 cm)
Weight	1282 lbs. (581 kg)

## SPECIFICATIONS

No. of Teeth	20 TEETH
Hyd. Flow up to	50 gpm (189 lpm)
Oper. Pressure up to	6000 psi (413 bar)

## CASE DRAIN RETURN PRESSURE

Maximum (continuous)	43 psi. (3 bar)
Intermittent (Cold Start)	73 psi. (5 bar)

Designed for Skid Steers and Compact Track Loaders and can be mounted on small Track Hoes.

### ALWAYS THE FIRST, ALWAYS THE BEST

Gyro-Trac introduced the first front attachment with PLANAR teeth & controlled bite RIB in 2003. Gyro-Trac developed the trade name "PLANAR" tooth for mulching. Today, Gyro-Trac is first to introduce the BEST, most ADVANCED and PATENTED cutting technology.

### INTERNAL DRIVE MOTOR

US Pat. No. 7,980,278  
CA Pat. No. 2,597,973

### CONTROLLED BITE

US Pat. No. 7,810,531  
US Pat. No. 9,839,914  
CA Pat. No. 2,546,294

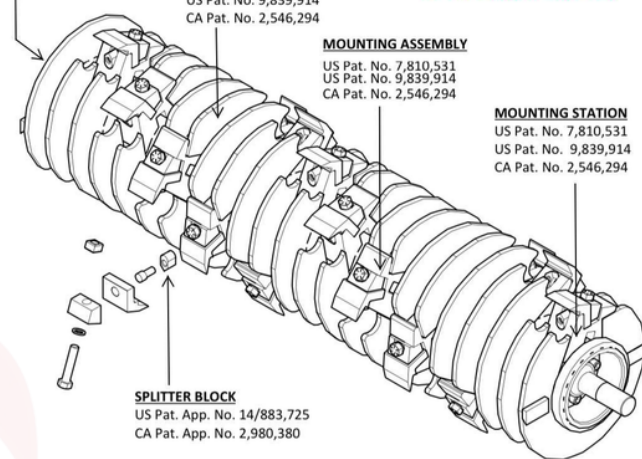
LET THE FACTS SPEAK  
FOR THEMSELVES!

### MOUNTING ASSEMBLY

US Pat. No. 7,810,531  
US Pat. No. 9,839,914  
CA Pat. No. 2,546,294

### MOUNTING STATION

US Pat. No. 7,810,531  
US Pat. No. 9,839,914  
CA Pat. No. 2,546,294



### SPLITTER BLOCK

US Pat. App. No. 14/883,725  
CA Pat. App. No. 2,980,380

ph: (843) 879-0208 | Fax: (843) 879-0218 | e: sales@gyrotrac.com

**CALL FOR A DEMO TODAY!**

www.gyrotrac.com | toll free +1 (866) 800-3900  
Copyright © 2023 Gyro-Trac Corporation. All rights reserved.

\*Gyro-Trac owns over 20 Patents and Patents Pending, including the above Cutter-head Patents.

# SALES@GYROTRAC.COM

# 400 HL **HI/LO FLOW** CUTTER-HEAD

## ABOUT THE MACHINE

Gyro-Trac's **SABRE-TOOTH TITAN** cutting technology PULVERIZES Wood into Sawdust-like Mulch. The new **SABRE-TOOTH** design is the NEXT GENERATION of "disruptive technology", improving on Gyro-Trac's Planar tooth.

It begins with a **WIDER TOOTH**, held in place with a **WEDGED FRICTION BLOCK**, taking all the force off of the single bolt . **THAT'S RIGHT!** Only one bolt to quickly and easily replace worn teeth.

The **CONTROLLED BITE** is now achieved with **TWO** instead of one control rib under the tooth. The distance between control ribs is wider.

The **KNOCK-OUT RELIEF** that reduces resistance by allowing the wood chip to curl into the relief, now has a **SPLIT BLOCK** strategically placed to **SPLIT THE CHIP** and further **REDUCE** the size of the wood chip. This new design creates a **SELF-CLEANING** effect, clearing the tooth for the next bite.

*SABRE-TOOTH TITAN cutting technology PULVERIZES Wood into Sawdust-like Mulch*

With a perfectly tuned hydraulic recipe you can now understand how Gyro-Trac machines can **mulch more wood with Less Weight, Less Energy and Less Fuel** than any of our competitors. You can also understand how the smallest mulch in the business leaves behind that famous, Gyro-Trac "Park-Like effect", and the fine, rapidly biodegradable mulch just simply Won't Wick Fire, making a Gyro-Trac *the perfect machine for cutting fire breaks.*

**SALES@GYROTRAC.COM**