

1000 HF HEAVY-DUTY CUTTER-HEAD



DIMENSIONS

Cutting Width	10 ft (305 cm)
Width	135 in (343 cm)
Depth	61 in (155 cm)
Height	65 in (165 cm)
Weight	8,500 lbs. (3,856 kg)

SPECIFICATIONS

No. of Teeth	40 TEETH
Hyd. Flow up to	225 gpm (852 lpm)
Oper. Pressure up to	6000 psi (413 bar)

CASE DRAIN RETURN PRESSURE

Maximum (continuous)	43 psi. (3 bar)
Intermittent (Cold Start)	73 psi. (5 bar)

The 1000HF is Gyro-Trac's Largest, Most Powerful Cutter-head, for use on High Horse-power Prime Movers on Wheels or Tracks.

ALWAYS THE FIRST, ALWAYS THE BEST

Gyro-Trac introduced the first front attachment with PLANAR teeth & controlled bite RIB in 2003. Gyro-Trac developed the trade name "PLANAR" tooth for mulching. Today, Gyro-Trac is first to introduce the BEST, most ADVANCED and PATENTED cutting technology.

INTERNAL DRIVE MOTOR

US Pat. No. 7,980,278
CA Pat. No. 2,597,973

CONTROLLED BITE

US Pat. No. 7,810,531
US Pat. No. 9,839,914
CA Pat. No. 2,546,294

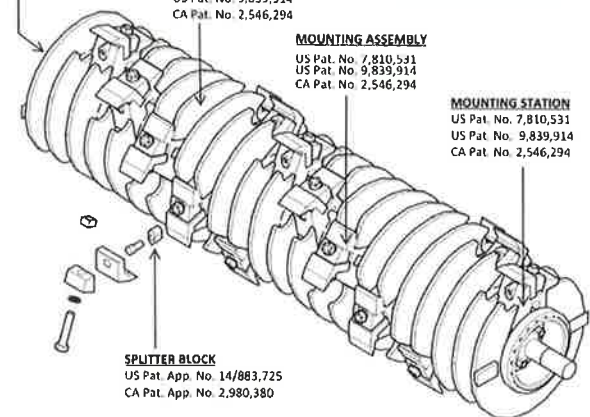
**LET THE FACTS SPEAK
FOR THEMSELVES!**

MOUNTING ASSEMBLY

US Pat. No. 7,810,531
US Pat. No. 9,839,914
CA Pat. No. 2,546,294

MOUNTING STATION

US Pat. No. 7,810,531
US Pat. No. 9,839,914
CA Pat. No. 2,546,294



SPLITTER BLOCK

US Pat. App. No. 14/863,725
CA Pat. App. No. 2,980,380

ph: (843) 879-0208 | Fax: (843) 879-0218 | e: sales@gyrotrac.com
Alberta, Canada: (780) 719-9743

CALL FOR A DEMO TODAY!

www.gyrotrac.com | toll free +1 (866) 800-3900
Copyright © 2023 Gyro-Trac Corporation. All rights reserved.

*Gyro-Trac owns over 20 Patents and Patents Pending and Long
Residual Cutter-Head Patents.

SALES@GYROTRAC.COM

1000 HF **HEAVY-DUTY** CUTTER-HEAD

ABOUT THE MACHINE

Gyro-Trac's **SABRE-TOOTH TITAN** cutting technology PULVERIZES Wood into Sawdust-like Mulch. The new **SABRE-TOOTH** design is the NEXT GENERATION of "disruptive technology", improving on Gyro-Trac's Planar tooth.

It begins with a **WIDER TOOTH**, held in place with a **WEDGED FRICTION BLOCK**, taking all the force off of the single bolt . **THAT'S RIGHT!** Only one bolt to quickly and easily replace worn teeth.

The **CONTROLLED BITE** is now achieved with **TWO** instead of one control rib under the tooth. The distance between control ribs is wider.

The **KNOCK-OUT RELIEF** that reduces resistance by allowing the wood chip to curl into the relief, now has a **SPLIT BLOCK** strategically placed to **SPLIT THE CHIP** and further **REDUCE** the size of the wood chip. This new design creates a **SELF-CLEANING** effect, clearing the tooth for the next bite.

*SABRE-TOOTH TITAN cutting
technology PULVERIZES Wood into
Sawdust-like Mulch*

With a perfectly tuned hydraulic recipe you can now understand how Gyro-Trac machines can **mulch more wood with Less Weight, Less Energy and Less Fuel** than any of our competitors. You can also understand how the smallest mulch in the business leaves behind that famous, Gyro-Trac "Park-Like effect", and the fine, rapidly biodegradable mulch just simply Won't Wick Fire, making a Gyro-Trac *the perfect machine for cutting fire breaks.*

SALES@GYROTRAC.COM