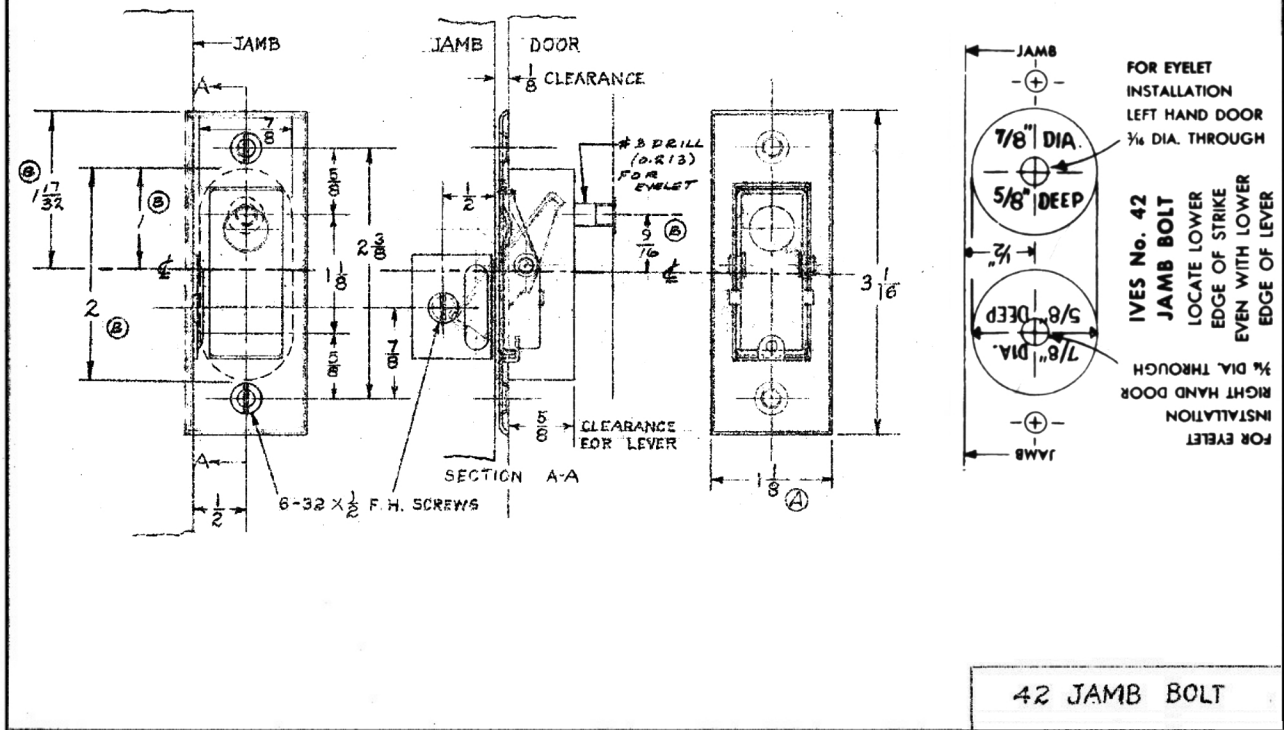


TEMPLATE DRAWING

DWG. NO. 3.56-B



Model	AUR42 Jamb Bolt	Length	3 1/16"	Width	1 1/8"
-------	-----------------	--------	---------	-------	--------