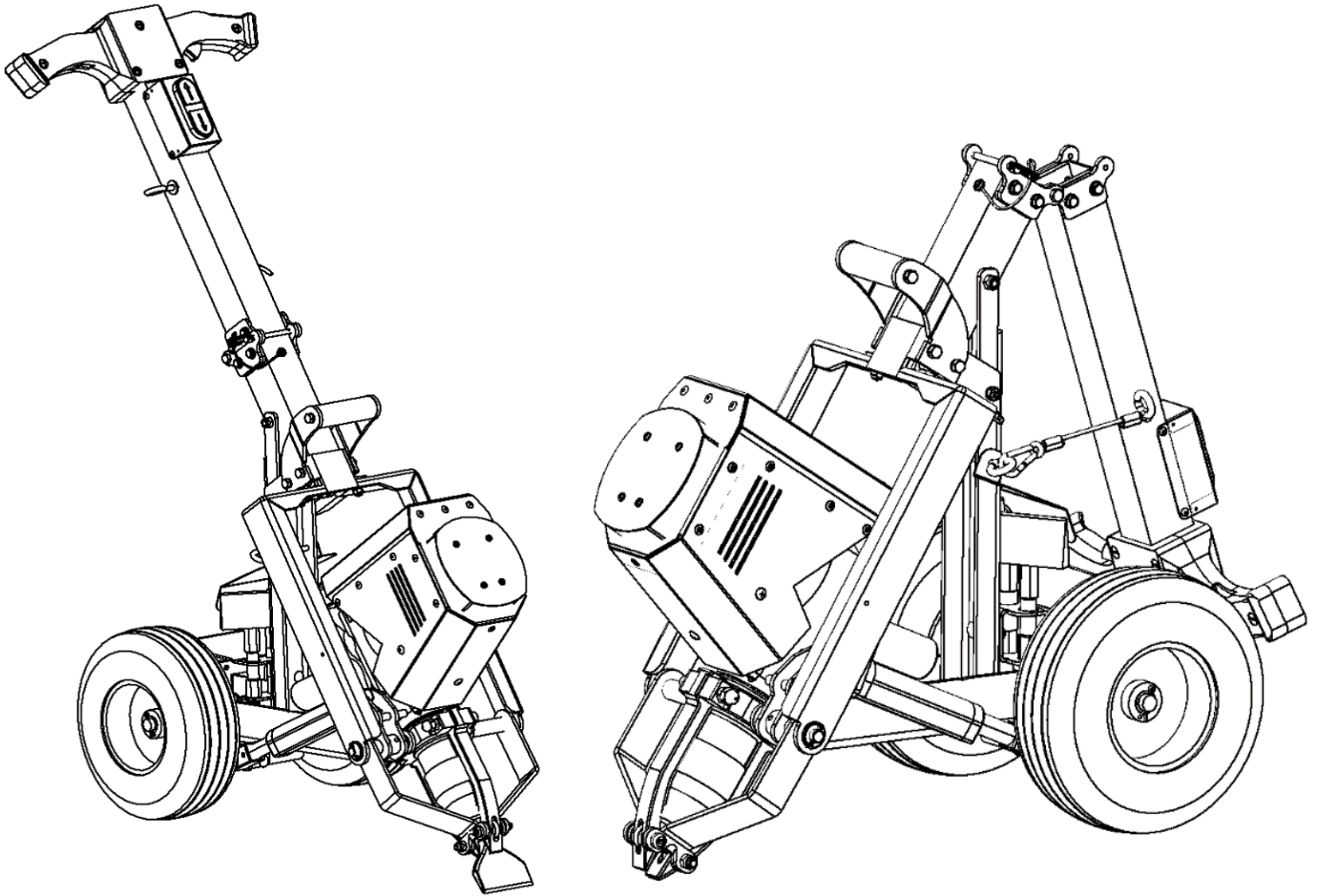


Eddy

Tile Breaker model TBE3
Briseur de Tuile modèle TBE3
Azulejo Removerdor modelo TBE3



WARNING

For your safety, **READ** and **UNDERSTAND** before using. Save these instructions for future reference.

AVERTISSEMENT

Pour votre sécurité, **LIRE** et **COMPRENDRE** avant d'utiliser. Sauvegarder ces instructions pour référence future.

ADVERTENCIA

Para su seguridad, **LEER** y **ENTENDER** antes de usarlo. Guarde estas instrucciones para referencia en el futuro.

INSTRUCTION & MAINTENANCE MANUAL
MANUEL D'INSTRUCTIONS & D'ENTRETIEN
INSTRUCCIÓN Y MANTENIMIENTO MANUAL

www.eddyfloor.com

Table of contents

English version	6
Introduction	7
General safety rules	8
Additional safety rules	9
Unpacking	11
Operating instructions	13
Maintenance	16
Warranty	19
Service	19
Version Francais	20
Introduction	21
Règles de sécurité generales.....	22
Règles additionnelles de sécurité	24
Déballage.....	25
Mode d'emploi.....	27
Entretien.....	30
Garantie	33
Service	33
Version en español	34
Introducción	35
Reglas generales de seguridad	36
Reglas adicionales de seguridad	38
Desembalaje	39
Instrucciones de uso	41
Mantenimiento	44
Garantia	47
Servicio	47
Appendices	48
SPECIFICATIONS / SPÉCIFICATIONS / ESPECIFICACIONES	48
EXPLODED VIEWS / VUES EN ÉCLATÉ / VISTAS DESARROLLADAS	49
PARTS LIST / LISTE DES PIÈCES / LISTA DE PIEZAS.....	51
Contact information	54
Purchase record / Record d'achat / Registro de la compra.....	55

English version

Introduction

RESUME

Due to prolonged and demanding physical effort that requires manual removal of ceramic tiles, cements and glues, we have developed a tool allowing the operator to have a better posture and this for all phases and materials to be removed.

ERGONOMICS

An ergonomic tool for removing ceramic floor covering with a design focused on reducing physical effort and improving the health and safety of (/prevention of injuries to) the operator.

Thanks to its geometry that allows a wide range of attack angles to remove various floor coverings at an optimum handle height, the Tile Breaker tool provides a comfortable working condition to the operator.

GENERAL DESCRIPTION

The system consists of an impact tool, angle adjustment and positioning system, foldable handle with a switch and control knobs, foot push plate, wheels and chisels 1", 2" and 3".

ANGLE ADJUSTMENT

The electric actuator allows the positioning of the tool to the different necessary angles for the work to be done. On the opposite side of the actuator, we have added a graded sticker and needle showing the degrees of the tool to the operator. For example, an angle of plus or minus 30 degrees is used for the removal of ceramic tiles rather than an angle of 70 degrees used to remove the grout. This rule then becomes a reference point for the operator.

The electric actuator is connected to a Up & Down switch integrated in the handle which allows the safe positioning of the tool without manual effort.

General safety rules

WARNING!



Read all instructions.

Failure to follow all instructions listed below may result in electric shock, fire and/or serious injury. The term “power tool” in all the warnings listed below refers to your power tool (corded) or power tool (wireless) with batteries.

SAVE THESE INSTRUCTIONS

This equipment should be operated in compliance with all OSHA regulations.

Work area

- Keep work area clean and well lit. Cluttered and dark areas invite accidents.
- Do not operate power tools in explosive atmospheres, such as in the presence of flammable liquids, gases or dust.
- Power tools create sparks which may ignite the dust or fumes.
- Keep children and bystanders away while operating a power tool. Distraction can cause you to lose control.

Electrical safety

- Power tool plugs must match the outlet. Never modify the plug in any way. Do not use any adapter plugs with earthed (grounded) power tools. Unmodified plugs and matching outlets will reduce risk of electric shock.
- Avoid body contact with earthed or grounded surfaces such as pipes, radiators, ranges and refrigerators. There is an increased risk of electric shock if your body is earthed or grounded.
- Do not expose power tools to rain or wet conditions. Water entering a power tool will increase the risk of electric shock.
- Do not abuse the cord. Never use the cord for carrying, pulling or unplugging the power tool. Keep cord away from heat, oil, sharp edges or moving parts. Damaged or entangled cords increase the risk of electric shock.
- When operating a power tool outdoors, use an extension cord suitable for outdoor use. Use of a cord suitable for outdoor use reduces risk of electric shock.

Personal safety

- Stay alert, watch what you are doing and use common sense when operating a power tool. Do not use a power tool while you are tired or under the influence of drugs, alcohol or medication. A moment of inattention while operating power tools may result in serious personal injury.
- Use safety equipment. Always wear eye protection. Safety equipment such as dust mask, non-skid safety shoe, hard hat, or hearing protection used for appropriate conditions will reduce personal injuries.
- Avoid accidental starting. Ensure the switch is in the off-position before plugging in. Carrying power tools with your finger on the switch or plugging in power tools that have the switch on invites accidents.

- Remove any adjusting key such as wrench before turning the power tool on. A wrench or a key left attached to a rotating part of the power tool may result in personal injury.
- Do not overreach. Keep proper footing and balance at all times. This enables better control of the power tool in unexpected situations.
- Dress properly. Do not wear loose clothing or jewellery. Keep your hair, clothing and gloves away from moving parts. Loose clothes, jewellery or long hair can be caught in moving parts.
- If devices are provided for the connection of dust extraction and collection facilities, ensure these are connected and properly used. Use of these devices can reduce dust-related hazards.

Power tool use and care

- Do not force the power tool. Use the correct power tool for your application. The correct power tool will do the job better and safer at the rate for which it was designed.
- Do not use the power tool if the switch does not turn it on and off. Any power tool that cannot be controlled with the switch is dangerous and must be repaired.
- Disconnect the plug from the power source and/or the battery pack from the power tool before making any adjustments, changing accessories, or storing power tools. Such preventive safety measures reduce the risk of starting the power tool accidentally.
- Store idle power tools out of the reach of children and do not allow persons unfamiliar with the power tool or these instructions to operate the power tool. Power tools are dangerous in the hands of untrained users.
- Maintain power tools. Check for misalignment or binding of moving parts, breakage of parts and any other condition that may affect the power tools operation. If damaged, have the power tool repaired before use. Many accidents are caused by poorly maintained power tools.
- Keep cutting tools sharp and clean. Properly maintained cutting tools with sharp cutting edges are less likely to bind and are easier to control.
- Use the power tool, accessories and tool bits etc. in accordance with these instructions and in the manner intended for the particular type of power tool, taking into account the working conditions and the work to be performed. Use of the power tool for operations different from those intended could result in a hazardous situation.

Service

Have your power tool serviced by a qualified repair person using only identical replacement parts. This will ensure that the safety of the power tools is maintained.

Additional safety rules

This equipment should be operated in compliance with all OSHA regulations.

- Rags, cloth, cord, strings and the like should never be left around the work area. Entangled material increase the risk of accidents.
- Handle the chisels very carefully. Sharp edges may cause injuries. Use the appropriate guard and gloves to handle.
- Ensure that the chisel is securely placed in the chuck before operating the tool. Loose chisel will generate unusual vibration and may result in injuries.
- Hold the tool firmly with both hands. Control of the tool requires a firm hold and holding with both hands will prevent potential accidents.
- Keep hands away from moving parts. Moving parts may cause injuries and electric shock.
- Before using the tool, let it run idle for a while. Watch for unusual vibrations or wobbling that could indicate poor installation or a poorly installed balanced chisel. Unusual vibrations or wobbling indicate poor installation or poorly balance chisel. This may cause accidents or result in injuries.

- Do not leave a power tool running unattended. Operate the tool when hand held only.
- Never change the bolt length on the rubber shocks and do not use shims or bushings on top or bottom. Tampering with these parts may result in accidents and injuries.

Before using the tool

Check for damaged parts before using the tool. A damaged guard or part should be carefully checked to determine if it will operate properly and perform its intended function. Check the alignment of moving parts, binding of moving parts, breakage of parts, mounting and any other conditions that may affect the tool operation. A guard or other part that is damaged should be properly repaired or replaced by an authorized service center before using the tool.

Voltage verification

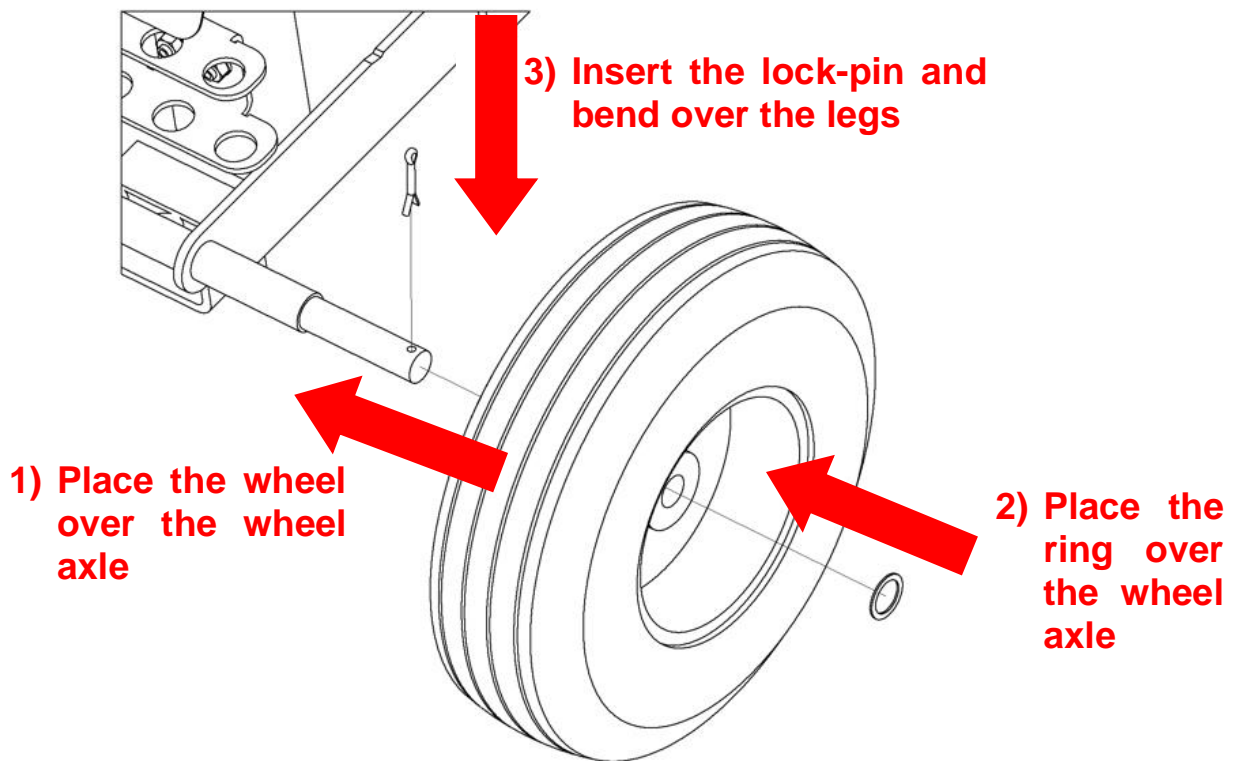
Before connecting the tool to a power source, make sure that the voltage supplied is the same as the one specified on the nameplate of the tool. A power source with a greater voltage may result in serious injury to the user as well as damage to the tool. If in doubt, do not plug-in the tool. Using voltage lower than specified is harmful to the motor.

Unpacking

- Open the box and retrieve the Tile Breaker from it.
- The Tile Breaker is in a folded position as shown in the figure below.
- Place the wheels on as shown in the figure.
- To prevent injuries, a safety cable is locking the handle in the folded position.
- To unfold the handle, open the Cable snap and unfold the handle by lifting it upwards until the hinge anchors are aligned. Insert the hinge pin until the spring ball locks in place as shown in the figure.



WARNING When lifting the handle, make sure that nobodies hand or other body part is touching the handle latching joint.



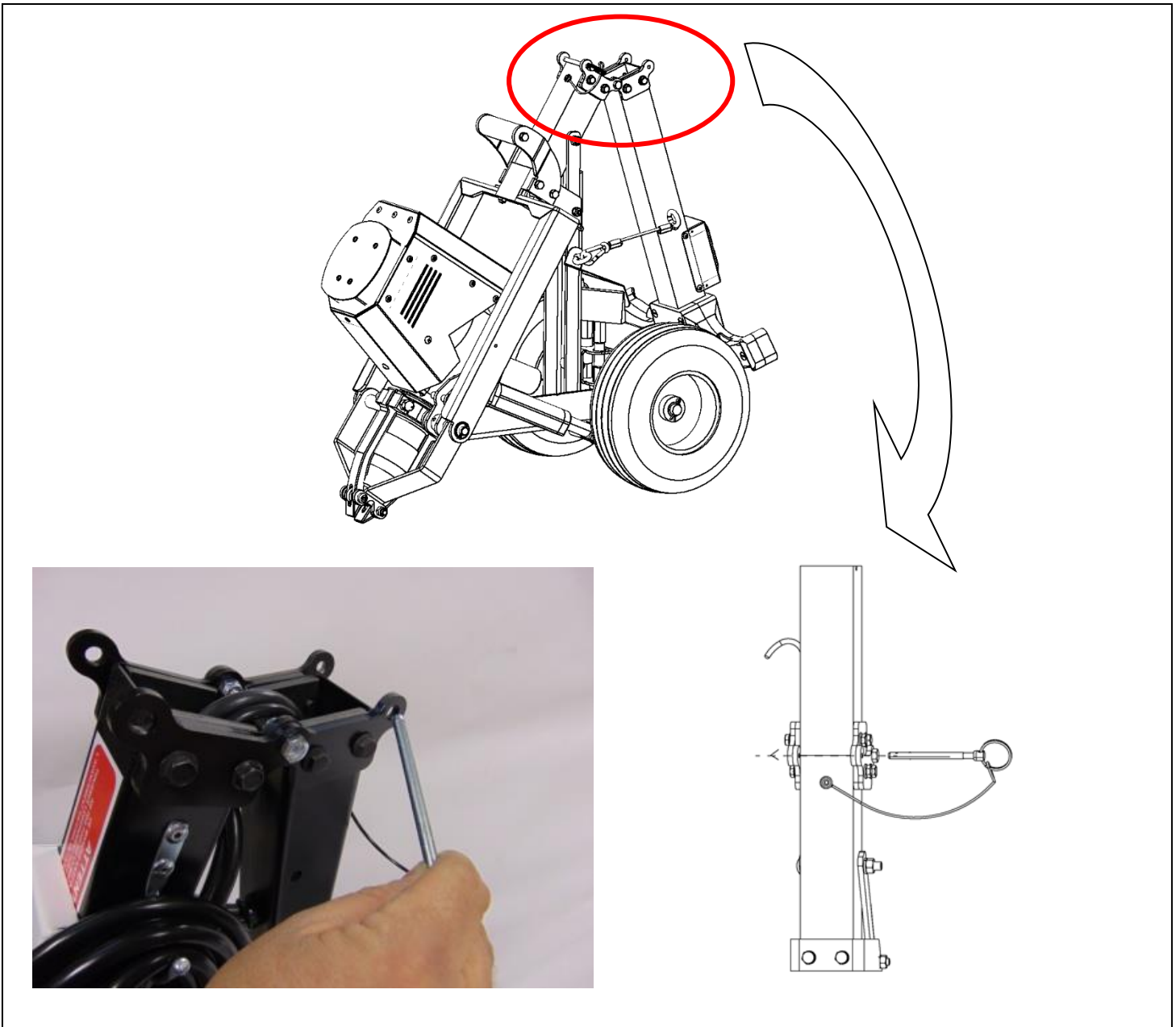


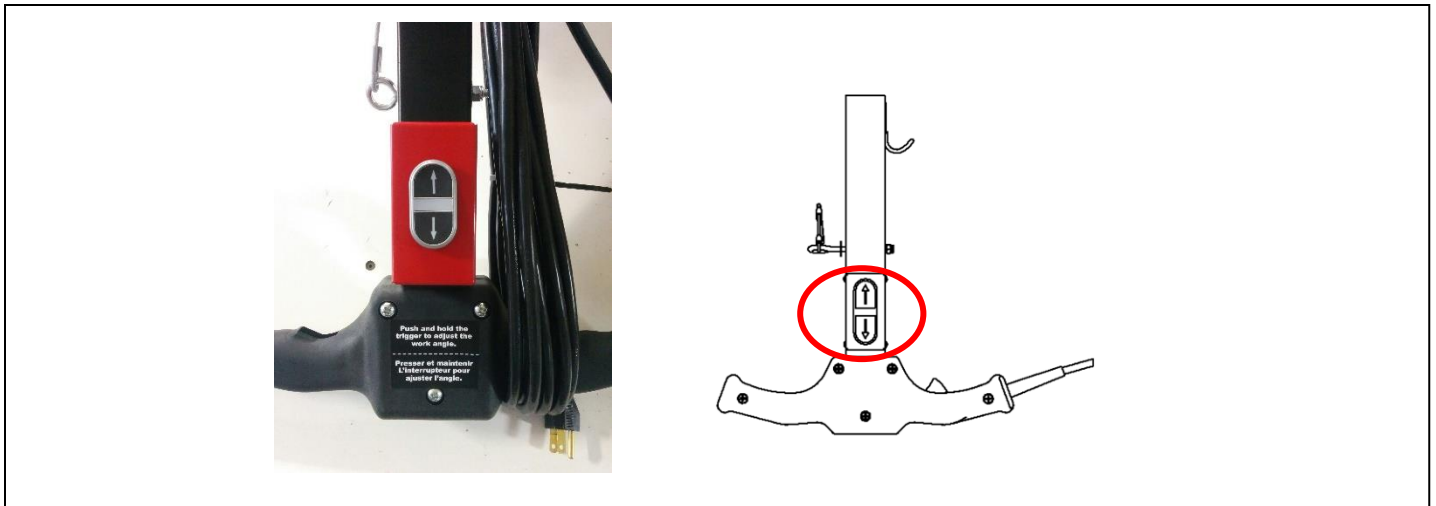
Figure to indicate how to install the handle properly. The hinge pin needs to be inserted in the hinge anchors. **WARNING: Do not pitch fingers when assembling the handle and inserting the pin**

Operating instructions

Controls & adjustments

To start removing ceramic tiles, press the Trigger switch and push the chisel on the tiles. Pressing the Trigger switch will activate the tool's motor and the push movement will initiate the impact action.

Depending on the type of tiles and/or to remove mortar, you may have to change the angle of the tool. To change the angle, press on the Tool angle selector switch up or down until proper angle is set. (See the picture below).



Chisel selection



WARNING: Always disconnect the power cord before proceeding to the chisel installation or removal.

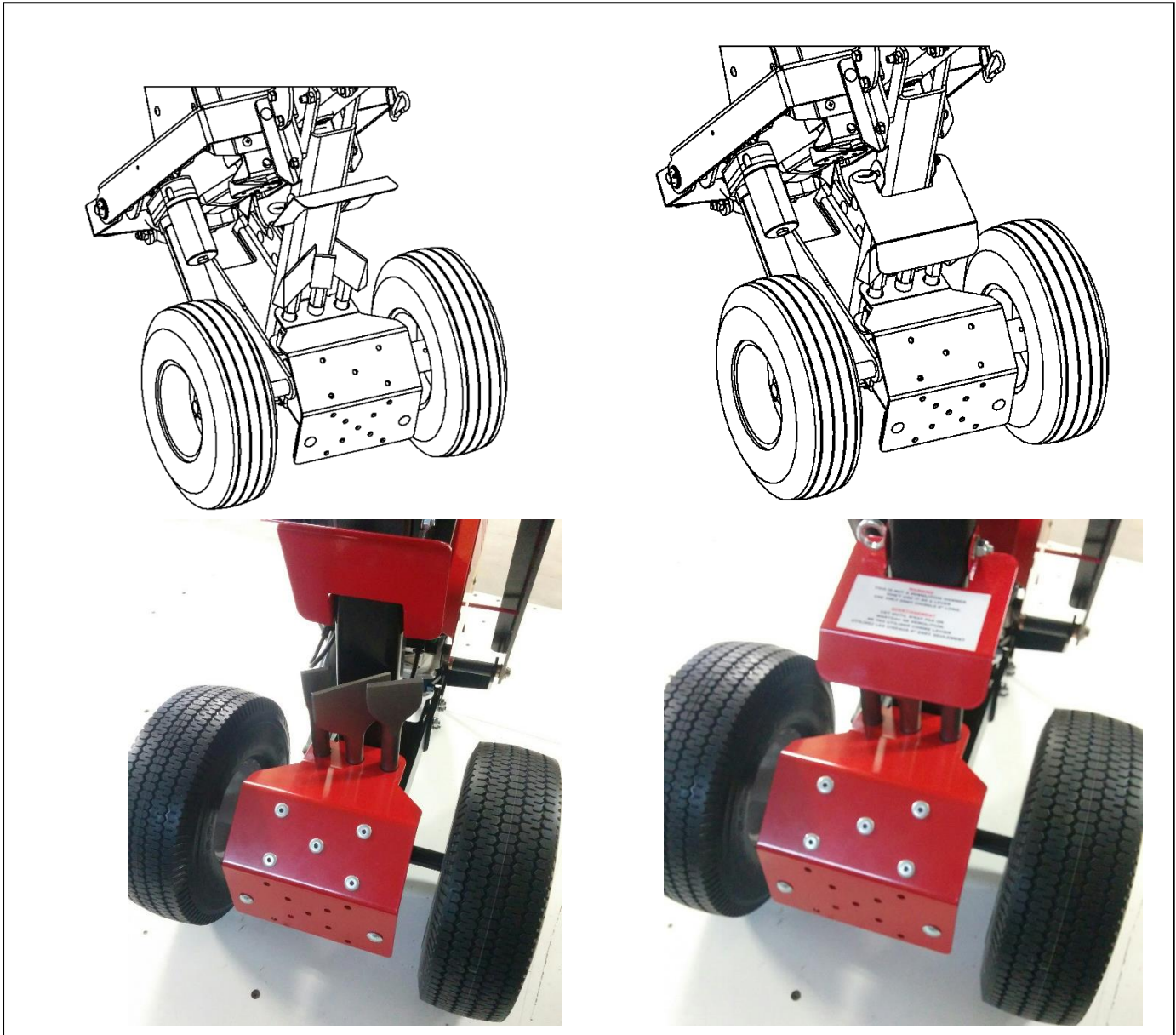
The Eddy Tile Breaker comes with a complete set of 3 sizes of chisels. You have the option between 1 inch, 2 inch and 3 inch chisels. They are conveniently located at the back of the tool.

Picture of how to unlock the angle selector and how to cover it again



WARNING: only use the 1", 2" or 3" Eddy chisels. These chisels are 8" long and longer chisels are not suitable and will damage the tool.

To prevent potential injuries, a cover is placed over the chisels. To reach or store chisels, lift the cover. When finished, lower the cover back to its original position



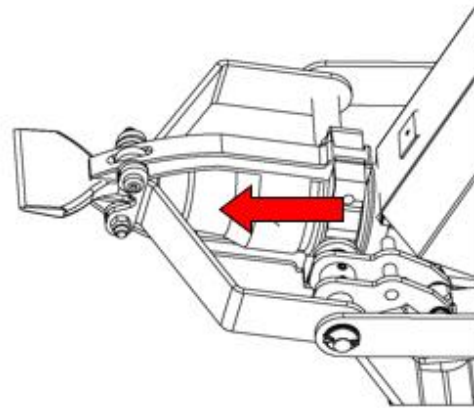
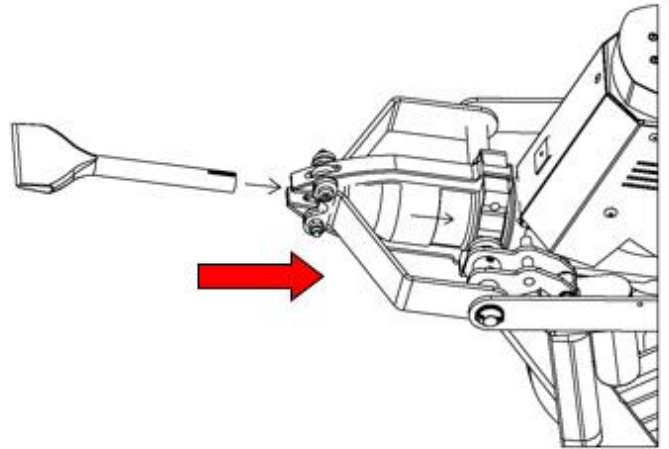
Picture showing the chisel cover

Choose the chisel for the job to execute. There are 3 sizes of chisels; 1", 2" and 3".

NOTE: Most tiles can be removed using chisel sizes 1" and 2". The 3" chisel is mostly used to remove mortar. See Fig. 8.

Insert the chisel as shown in the following Fig. 12 to 14.

- Tilt the tool backwards.
- Insert chisel while holding back the chuck.
- Turn the chisel until the chisel groove is engaged before releasing the chuck..
- Release the chuck.
- If necessary, grease the chisel with the grease that comes with the tool so that the chisel can be inserted more easily



Principle of how to install a chisel in the Tile Breaker:

- Insert chisel while pushing back the chuck (this is the black part of the hammer)
- Put the chisel in the hammer until the chisel groove is engaged
- Release the chuck.
- If necessary, grease the chisel with the grease that comes with the tool so that the chisel can be inserted more easily

Maintenance

Tool use and care

Do not force the tool. Use the correct chisel for your application. The correct tool will do the job better and safer at the rate for which it is designed.

Disconnect the plug from the power source before making any maintenance of the tool.

Check for misalignment or binding of moving parts, breakage of parts, and any other condition that may affect the tools operation. If damaged, have the tool serviced before using. Many accidents are caused by poorly maintained tools. Develop a periodic maintenance schedule for your tool.

Use only chisels that are supplied with the tool. Accessories that may be suitable for one tool, may become hazardous when used on another tool.

Cleaning

To avoid accidents always disconnect the tool from the power supply before cleaning or performing any maintenance. The tool may be cleaned most effectively with compressed dry air. Always wear safety goggles when cleaning tools with compressed air.



WARNING: Ventilation openings and controls must be kept clean and free of foreign matter. Do not attempt to clean by inserting pointed objects through openings.



Warning: Certain cleaning agents and solvents damage plastic parts. Some of these are: gasoline, carbon tetrachloride, chlorinated cleaning solvents, ammonia and household detergents that contain ammonia.

Tool lubrication

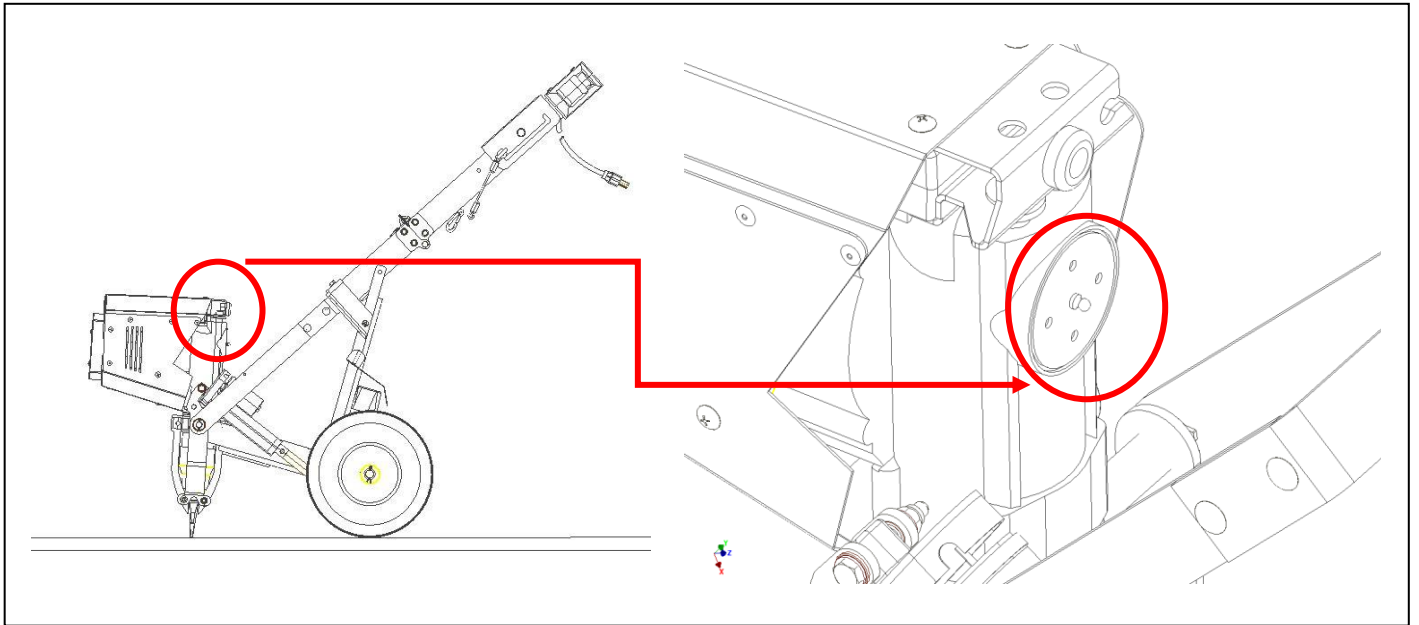


WARNING: Prior to greasing, always disconnect the plug from the power supply.

Your Eddy Tile Breaker has been properly lubricated and is ready to use. It is recommended that the tool be re-greased with a gear lubricant after approximately 40 running hours, i.e.2 hrs. for 20 days.

Adjust the angle of the tool to the maximum upright position. Remove the cap and fill with gear grease. **Use a PAO based grease with a high dropping point and broad application temperature range. We recommend to use synthetic greases that use a calcium sulfonate complex thickener along with synthetic PAO oil. An example of such a grease would be Lubex Syn from Irving.**

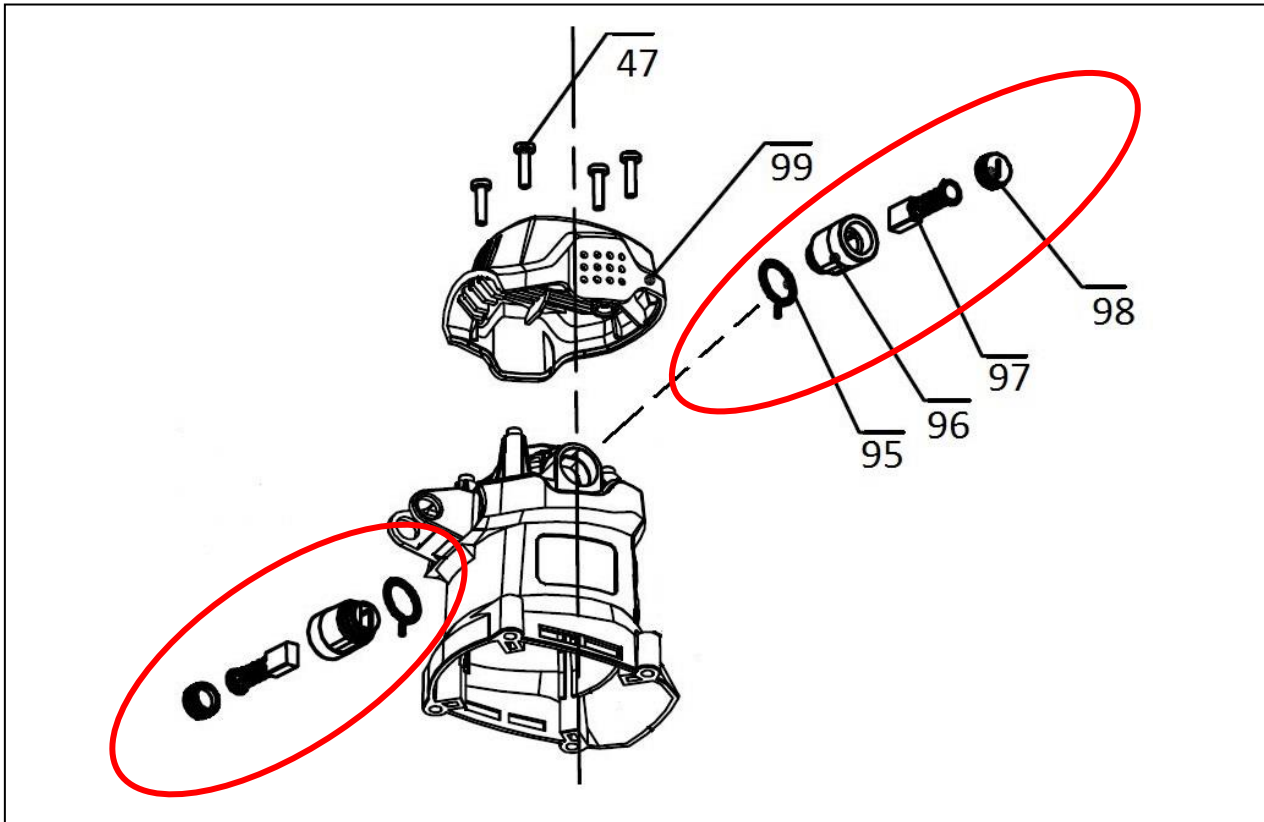
The grease that comes with the tool is used for greasing the chisel so that they can be inserted more easily.



Picture showing where the motor grease needs to be added. The tool need to be re-greased with a gear lubricant after approximately 40 running hours. Use a PAO base grease with a high dropping point: e.g.: Lubex Syn grease from Irving

Carbon brushes

The carbon brushes used in your tool have been engineered for many hours of dependable service. To maintain peak efficiency of the motor, we recommend every two to six months that the brushes must be examined. Only genuine Eddy 91 replacement brushes specially designed for your tool must be used.



Accessories

If an extension cord is necessary, a cord with adequate size conductors that is capable of carrying the current necessary for your tool must be used. This will prevent excessive voltage drop, loss of power or overheating. Grounded tools must use 3-wire extension cords that have 3-prong plugs and receptacles.

Note: The smaller the gauge number, the heavier the cord.

RECOMMENDED SIZES OF EXTENSION CORDS FOR 120 VOLT ALTERNATING CURRENT TOOLS.

Amps Rating	Cord size in AWG				Wire size in mm2			
	Cord length in feet				Cord length in meters			
	25	50	100	150	15	30	60	120
3 - 6	18	16	16	14	0.75	0.75	1.5	2.5
6 - 8	18	16	14	12	0.75	1	2.5	4
TBE3 -> 8-10	18	16	14	12	0.75	1	2.5	4
10 - 12	16	16	14	12	1	2.5	4	-----
12 - 16	14	12	-----	-----	-----	-----	-----	-----

Warranty

Eddy 91 Inc. 12 months warranty

Every Eddy 91 Inc. tool is thoroughly inspected and tested before leaving the factory. It is warranted to be free of defects from workmanship and material for the period of twelve (12) months from the date of original purchase.

Should any trouble develop during this twelve (12) months period, return the complete tool, freight prepaid, to one of Eddy 91 Inc. authorized service centers. If the inspection shows the trouble to be caused by defective workmanship or material, Eddy 91 Inc. will repair or replace it without charge.

This warranty does not apply:

- Where normal maintenance is required
- Repairs have been made or attempted by non-authorized personnel
- The tool has been abused, misused or improperly maintained
- Alterations have been made to the tool

IN NO EVENT SHALL EDDY 91 INC. BE LIABLE FOR ANY INDIRECT, INCIDENTAL OR CONSEQUENTIAL DAMAGES FROM THE SALE OR USE OF THE PRODUCT, THIS DISCLAIMER APPLIES BOTH DURING AND AFTER THE TERM OF THIS WARRANTY.

The Eddy 91 Inc. warranty is the only and the entire written warranty given by Eddy 91 Inc. tools. No dealer or his agent or employee is authorized to extend or enlarge upon this warranty by any verbal or written statement or advertisement.

Eddy 91 Inc. disclaims liability for any implied warranties, including implied warranties of MERCHANTABILITY "AND FITNESS FOR A SPECIFIC PURPOSE", after the twelve (12) months term of this warranty.

This warranty gives you specific rights. The provisions contained in this warranty are not intended to limit, modify, take away from, disclaim or exclude any warranties set forth in any provincial or state legislation. To the extent required by law, the provision in any provincial or federal legislation with respect to warranties takes precedence over the provisions in this warranty.

Service

INSTRUCTIONS IF YOU NEED SERVICE

- Explain the problem in a letter. Indicate in it your name, address and phone #.
- Enclose the letter with the tool.
- Enclose copy of your purchase record (see at the end).
- Package carefully the tool and send prepaid to the nearest Eddy 91 authorized service center, listed below.

Version française

Introduction

RÉSUMÉ

En raison de l'effort physique prolongé et exigeant que nécessite la suppression manuelle des carreaux de céramique, des ciments et des colles, nous avons développé un outil permettant à l'utilisateur d'avoir une meilleure posture et ce, pour toutes les phases et les matériaux à enlever.

ERGONOMIE

Un outil ergonomique pour enlever les revêtements de sol en céramique dont la conception vise à réduire l'effort physique et la prévention des blessures professionnelles de l'utilisateur. Grâce à sa géométrie qui permet une grande variation d'angles d'attaque sur les divers revêtements à enlever et à la hauteur optimum de ses poignées, l'outil Briseur de Tuile permet une position confortable à l'utilisateur.

DESCRIPTION GÉNÉRALE

Le système se compose d'un outil à percussion, d'un système de positionnement et de réglage des angles, d'une poignée pliable avec un interrupteur et boutons de contrôle, d'une plaque de poussée, des roues et des ciseaux 1", 2" et 3".

AJUSTEMENT D'ANGLE

L'actuateur électrique permet le positionnement de l'outil aux différents angles nécessaires pour le travail à effectuer. Sur le côté opposé de l'actionneur, nous avons ajouté un autocollant gradué et une aiguille indiquant les degrés de l'outil à l'utilisateur. Par exemple, un angle de plus ou moins 30 degrés est utilisé pour l'enlèvement de carreaux de céramique et angle de 70 degrés pour l'enlèvement du mortier. Cette règle devient alors un point de référence pour l'opérateur. L'actuateur électrique est connecté à une commande vers le haut et vers le bas intégré dans la poignée qui permet le positionnement de l'outil en toute sécurité sans intervention manuelle.

Règles de sécurité générales

AVERTISSEMENT !



Lisez toutes les instructions.

L'omission de suivre toutes les instructions énumérées ci-dessous peut résulter en une décharge électrique, un feu et/ou une blessure sérieuse. Le terme « « machine-outil » » dans tous les avertissements énumérés ci-dessous se rapporte à votre machine-outil (avec fil) ou à machine-outil (sans fil) à piles.

SAUVEGARDER CES INSTRUCTIONS

Cet appareil doit être utilisé en conformité avec tous les règlements OSHA.

Aire de travail

- Gardez l'aire de travail propre et bien éclairé. Les zones encombrées et sombres invitent les accidents.
- N'actionnez pas les machines-outils en atmosphère explosive, comme en présence de liquides inflammables, gaz ou poussière.
- Les machines-outils créent des étincelles qui peuvent mettre le feu à la poussière ou aux vapeurs.
- Tenez les enfants et les spectateurs éloignés durant l'utilisation d'une machine-outil. Une distraction peut vous faire perdre le contrôle.

Sécurité électrique

- Les prises d'outils électriques doivent correspondre à la sortie. Ne jamais modifier la prise de quelque façon que ce soit. N'utilisez aucun adaptateur avec les outils électriques reliés à la terre. Les prises non modifiées et les sorties assorties réduiront le risque de décharge électrique.
- Évitez les contacts corporels avec les surfaces reliées à la terre ou au sol telles que des tuyaux, des radiateurs, des cuisinières et des réfrigérateurs. Il y a un plus grand risque de décharge électrique si votre corps est mis à la terre ou au sol.
- N'exposez pas les machines-outils à la pluie ou aux conditions humides. L'eau entrant dans une machine-outil augmentera le risque de décharge électrique.
- Ne maltraitez pas le cordon électrique. N'employez jamais le cordon pour transporter, tirer ou débrancher la machine-outil. Maintenez le cordon loin de la chaleur, du pétrole, des arêtes pointues ou des pièces mobiles. Les cordons endommagés ou empêtrés augmentent le risque de décharge électrique.
- Lorsque vous utilisez un outil électrique à l'extérieur, employez un cordon de rallonge appropriée pour usage extérieur. L'utilisation d'un cordon approprié pour l'usage extérieur réduit le risque de décharge électrique.

Sécurité personnelle

- Demeurez alerte, faites attention à ce que vous faites et manipuler adéquatement l'outil électrique lors de son fonctionnement. N'utilisez pas un outil électrique lorsque vous êtes fatigué ou sous l'influence de

drogue, d'alcool ou de médicament. Un moment d'inattention pendant que vous utilisez des outils électriques peuvent avoir comme conséquence des blessures sérieuses.

- Utilisez les équipements de sécurité. Portez toujours une protection pour les yeux. Utilisés pour les conditions appropriées, les équipements de sécurité tel que; masque à poussière, chaussure de sécurité antidérapante, casque de sécurité, ou protection d'audition, réduiront les blessures.
- Évitez le démarrage accidentel. Assurez-vous que le commutateur est en position "OFF" avant de le brancher. Transporter des outils électriques avec le doigt sur le commutateur ou brancher des outils électriques qui ont le commutateur à la position "ON" invite les accidents.
- Enlevez tout outil d'ajustement tel une clef, avant de mettre l'outil électrique en marche.
- Une clé ou outil d'ajustement laissé attaché à une pièce en rotation de l'outil électrique peut résulter en blessure sérieuse.
- Ne deviez pas de la trajectoire. Gardez votre équilibre et une position ferme en tout temps. Ceci permet un meilleur contrôle de l'outil électrique dans des situations inattendues.
- Habillez-vous correctement. Ne portez pas d'habillement ou de bijoux lâches. Gardez vos cheveux, vêtements et gants loin des pièces mobiles. Les vêtements lâches, bijoux ou cheveux longs peuvent être attrapés par les pièces en mouvement.
- Si des dispositifs sont fournis pour le raccordement d'équipements d'extraction de poussière et de collection, assurez-vous que ces derniers sont reliés et correctement utilisés. L'utilisation de ces dispositifs peut réduire les risques reliés à la poussière.

Utilisation et soins d'outils électriques

- Ne forcez pas l'outil. Utilisez le bon outil pour votre application. Le bon outil fera le travail mieux et plus sécuritairement s'il est utilisé au rythme pour lequel il a été conçu.
- N'utilisez pas l'outil électrique si le commutateur ne le tourne pas "ON" ou "OFF". Tout outil électrique qui ne peut pas être contrôlé avec le commutateur est dangereux et doit être réparé.
- Débranchez la prise de la source de l'outil électrique avant de faire tout ajustement, de changer des accessoires, ou de remiser les outils électriques. De telles mesures de sécurité préventives réduisent le risque de démarrer l'outil électrique accidentellement.
- Stockez les outils électriques non utilisés hors de la portée des enfants et ne permettez pas aux personnes peu familières avec l'outil ou ces instructions d'actionner l'outil. Les outils électriques sont dangereux dans les mains d'utilisateurs non formés.
- Entretenez les outils électriques. Vérifiez la déviation d'alignement ou l'attachement des pièces mobiles, la rupture des pièces et de toute autre condition pouvant affecter la bonne marche des outils électriques. Si endommagé, faites réparer l'outil électrique avant de l'utiliser. Beaucoup d'accidents sont provoqués par les outils électriques mal entretenus.
- Maintenez les outils de coupe pointus et propres. Les ciseaux correctement entretenus sont moins portés à figer et sont plus faciles à contrôler.
- Employez l'outil électrique, les accessoires et outils etc. Selon les instructions et de la façon prévue pour ce type particulier d'outil électrique, en tenant compte des conditions de travail et du travail à exécuter. L'utilisation de l'outil électrique pour des opérations différentes de celles prévues, pourra résulter en une situation dangereuse.

Service

Faites entretenir votre outil électrique par une personne qualifiée n'employant seulement que des pièces de rechange identiques. Ceci assurera que la sécurité des outils électriques est maintenue.

Règles additionnelles de sécurité

Cet appareil doit être utilisé en conformité avec tous les règlements OSHA.

- Des chiffons, du tissu, des cordes, des fils et autres choses semblables ne devraient jamais être laissés dans l'aire de travail. Du matériel enchevêtré augmente le risque d'accidents.
- Manipulez les ciseaux très soigneusement. Les bords pointus peuvent causer des blessures. Employez le garde et des gants appropriés pour les manipuler.
- Assurez-vous que les ciseaux soient bien ancrés avant d'actionner l'outil. Les boulons lâches produiront de la vibration inhabituelle qui pourra avoir comme conséquence de causer des blessures.
- Tenez l'outil fermement avec les deux mains. Le contrôle de l'outil exige une prise ferme et le tenir avec les deux mains prévient des accidents potentiels.
- Gardez les mains éloignées des pièces en mouvement. Les pièces mobiles peuvent causer des blessures et une décharge électrique.
- Avant d'utiliser l'outil, faites-le tourner à vide quelques instants. Portez attention aux vibrations, signes probables d'une installation défectueuse. Ceci peut causer des accidents ou des blessures.
- Ne laissez pas fonctionner l'outil seul. Actionnez l'outil seulement s'il est tenu par les deux mains.

Avant d'utiliser l'outil

Avant d'utiliser l'outil, vérifiez pour détecter les pièces endommagées. Vous devez vérifier avec soin toute pièce ou garde de protection afin de vous assurer qu'elles sont aptes à fonctionner et à remplir sa fonction correctement. Vérifiez l'alignement des pièces mobiles, leurs attaches, les fêlures possibles, leur montage et toute autre condition susceptible d'affecter le fonctionnement de l'outil. Une protection ou toute autre pièce endommagée doit être correctement réparée ou remplacée par un agent de service autorisé.

Vérification du voltage

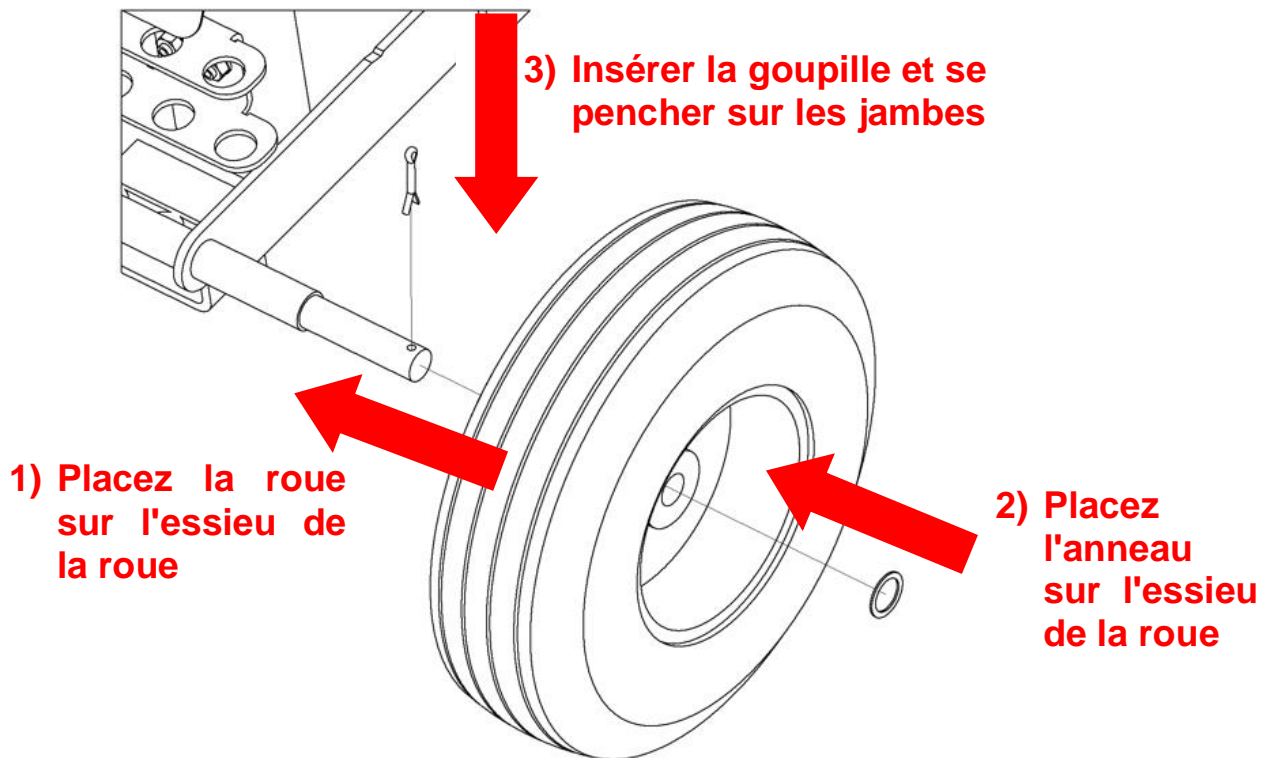
Avant de brancher l'outil à une prise de courant, assurez-vous que le voltage est le même que celui spécifié sur la plaque numérolgique de l'outil. Un voltage supérieur à celui spécifié peut causer de sérieuses blessures à l'utilisateur et endommager l'outil. Dans le doute, ne branchez pas l'outil. Un voltage inférieur à celui spécifié endommagera l'outil.

Déballage

- Ouvrez la boîte et récupérez le Briseur de tuile de celle-ci.
- Ce dernier est en position repliée comme illustré à la Figure de la page suivante.
- Pour éviter les blessures, un câble de sécurité verrouille la poignée dans la position pliée.
- Pour déplier la poignée, ouvrez l'enclancheur de câble et déployez la poignée en la soulevant vers le haut jusqu'à ce que les ancrs de la charnière soient alignés. Insérez la goupille de charnière jusqu'à ce que la bille à ressort B soit verrouillée.



AVERTISSEMENT Lorsque vous soulevez la poignée, assurez-vous que la main ou une autre partie du corps de quiconque ne touche le joint de la poignée de verrouillage.



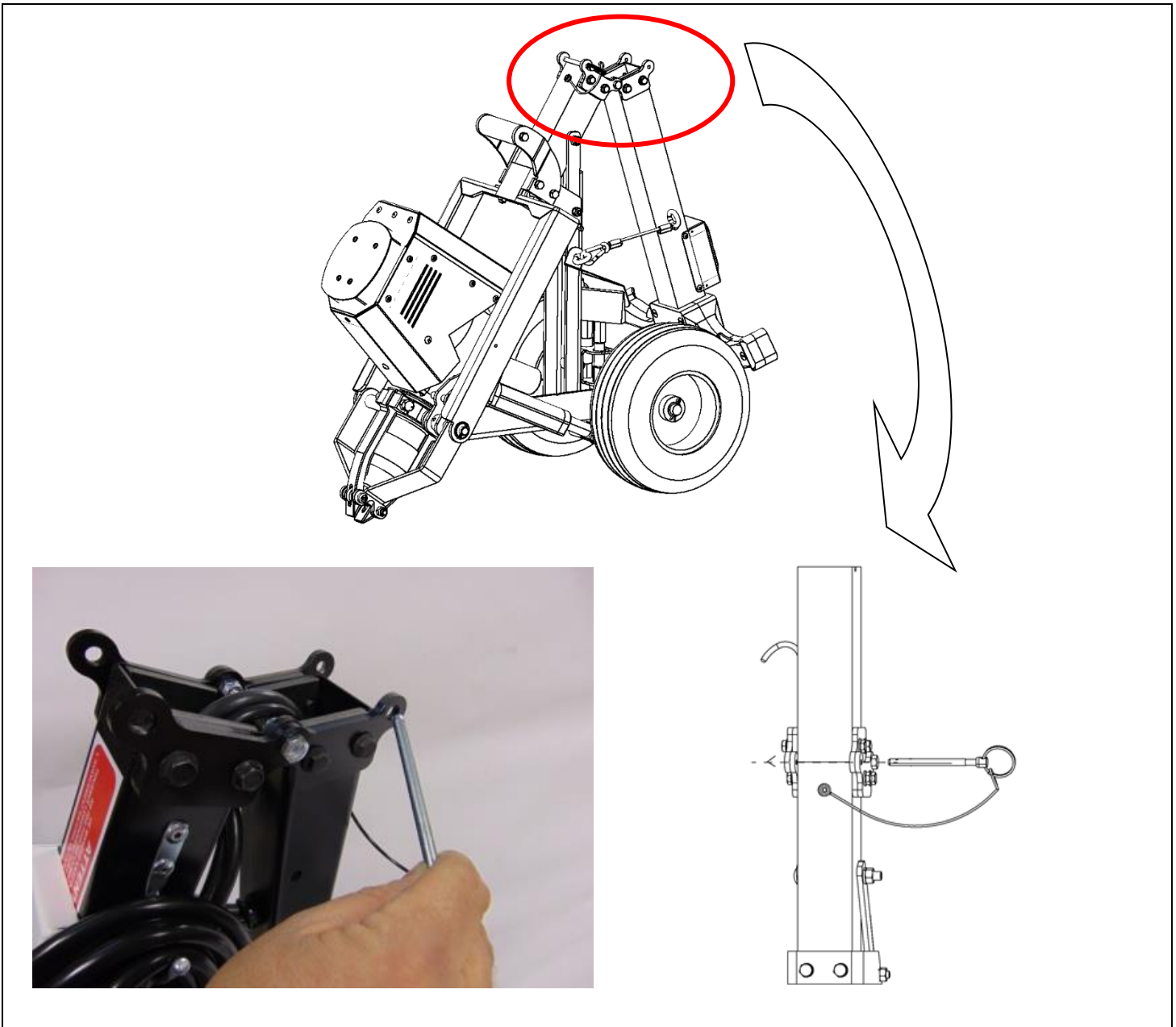


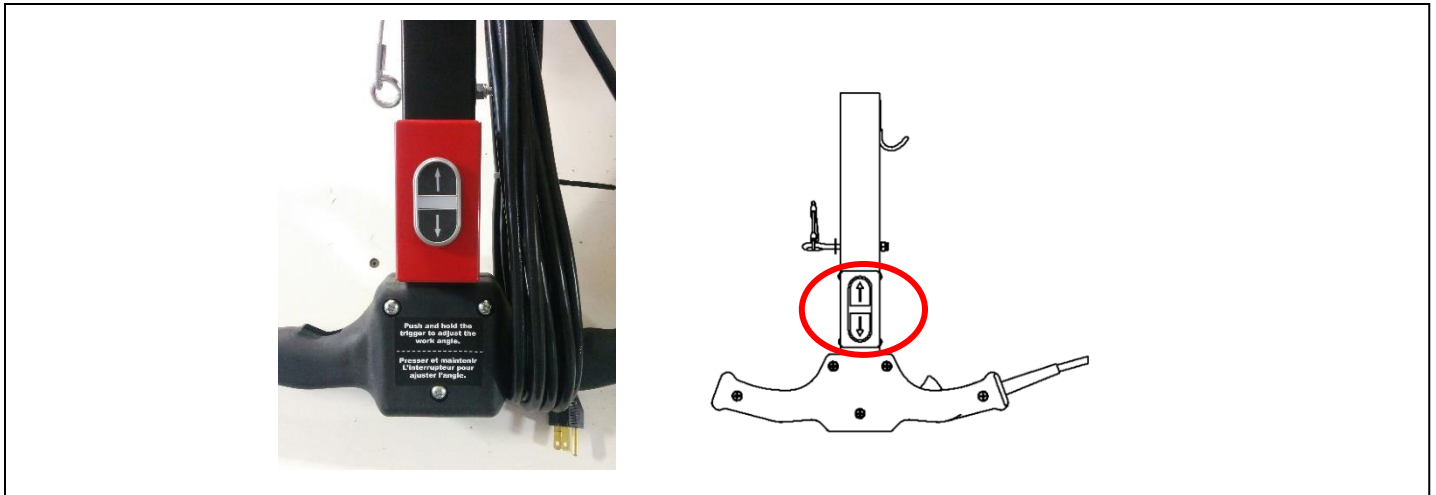
Figure pour indiquer comment installer correctement la poignée. L'axe de charnière doit être insérée dans les ancrages de charnière

Mode d'emploi

Contrôles & ajustements

Pour commencer à enlever les carreaux de céramique, appuyer sur la détente de l'interrupteur A (Fig. 5) et pousser le burin sur les tuiles. Appuyez sur l'interrupteur pour activer le moteur de l'outil et le mouvement de poussée va initier le mouvement de frappe.

Selon le type de tuiles et / ou pour enlever le mortier, vous devrez peut-être modifier l'angle de l'outil, voir Fig. 6 et l'étiquette ci-dessous. Pour changer l'angle de l'outil, appuyez sur l'interrupteur et ensuite sur le sélecteur d'angle de l'outil haut ou bas jusqu'à ce que l'angle soit trouvé.



Sélection de ciseau



AVERTISSEMENT Toujours débrancher le cordon d'alimentation avant de procéder à l'installation ou au retrait du ciseau.

Le Briseur de tuile Eddy 91 TBE3 est livré avec un ensemble complet de 3 tailles de ciseaux. Ils sont commodément situés à l'arrière de l'outil. Voir Fig. 9.

Principe de déverrouillage du sélecteur d'angle et comment le recouvrir



AVERTISSEMENT utilisez seulement les ciseaux Eddy 8 pouces de longueur. Des ciseaux plus longs ne sont pas adéquats et endommageront l'outil.

Pour prévenir les risques de blessures, un couvercle est fourni pour couvrir les ciseaux. Pour atteindre ou ranger les ciseaux, soulevez le couvercle. Lorsque vous avez terminé, abaissez le couvercle à sa position initiale.

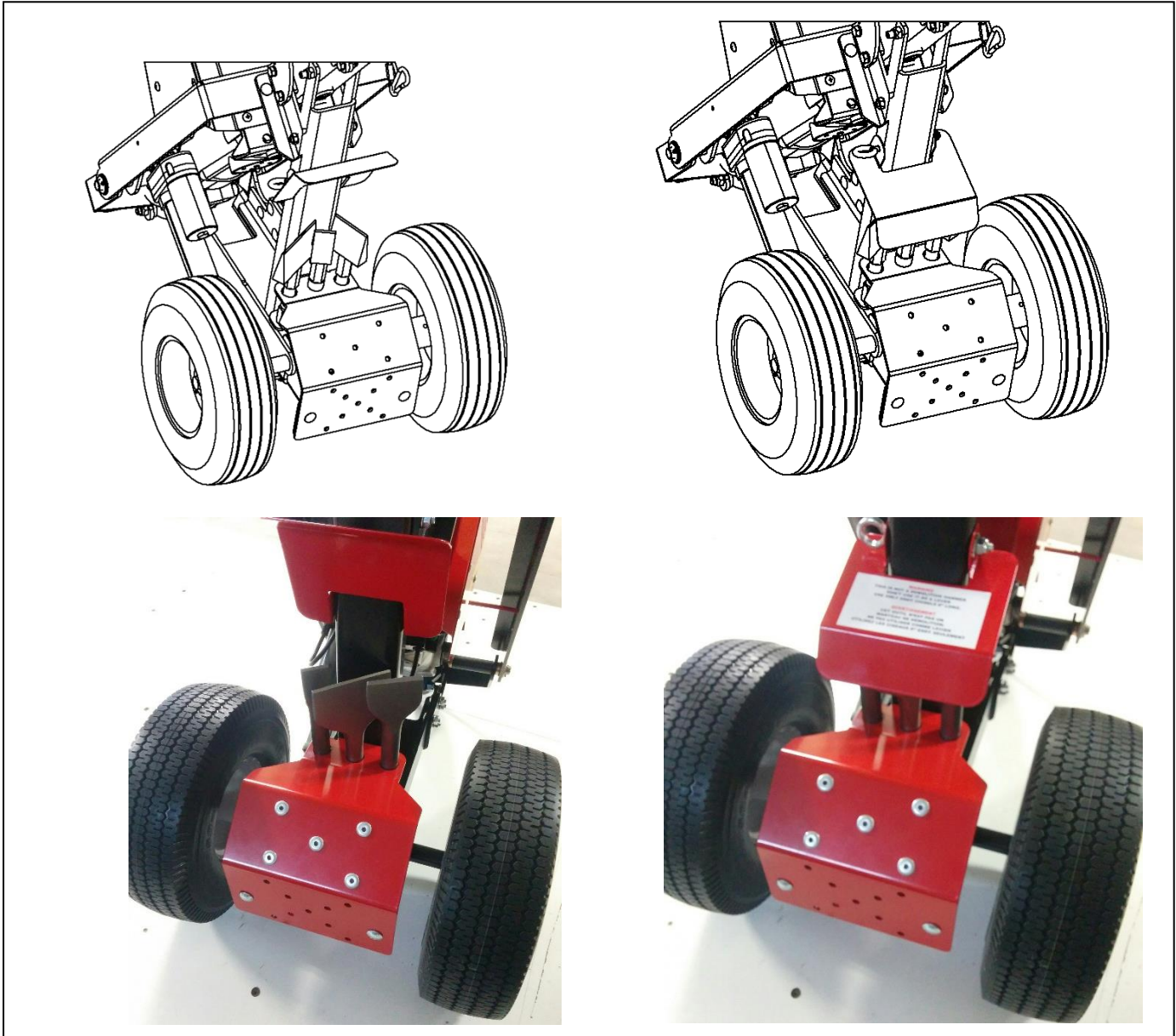
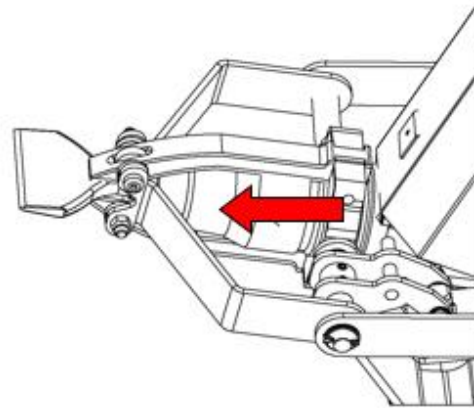
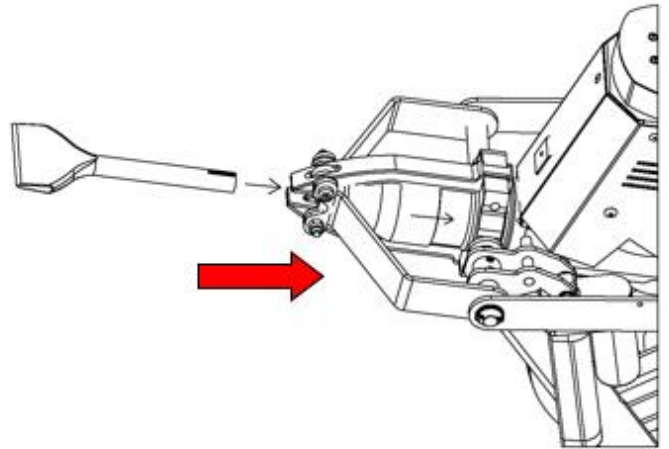


Image montrant la couverture du burin

Choisissez le ciseau pour la tâche à accomplir. Il existe 3 tailles des ciseaux ; 1 ", 2" et 3 ". La plupart des tuiles peuvent être enlevées à l'aide des ciseaux 1" et 2". Le ciseau 3 "est principalement utilisé pour enlever le mortier.

Insérez un ciseau comme illustré dans les Fig. 12, 13 et 14 ci-dessous.

- Inclinez l'outil vers l'arrière
- Insérez le ciseau dans le mandrin tout en retenant le mandrin.
- Tourner le ciseau jusqu'à ce que la rainure du ciseau soit bien engagée avant de relâcher le mandrin.
- Relâcher le mandrin.



Principe de la façon d'installer un ciseau dans le Tile Breaker:

- Insérer le ciseau en poussant en arrière le mandrin (c'est la partie noire du marteau)
- Mettre le ciseau dans le marteau jusqu'à ce que la rainure du ciseau soit engagée
- Relâchez le mandrin.

Entretien

UTILISATION ET ENTRETIEN DE L'OUTIL

Ne forcez pas l'outil. Utilisez le ciseau approprié pour votre application. Le bon ciseau exécutera le travail pour lequel il est conçu de façon plus adéquate et de façon moins dangereuse.

Débranchez la fiche de la source d'alimentation avant d'effectuer toute opération d'entretien de l'outil.

Utilisez seulement les ciseaux qui sont fournis avec l'outil. Certains accessoires peuvent convenir à un outil et être dangereux lorsqu'ils sont utilisés sur un autre outil

NETTOYAGE

Pour éviter les accidents, débranchez toujours l'outil de la source d'alimentation avant tout nettoyage ou entretien. L'outil peut être nettoyé plus efficacement à l'aide d'air comprimé sec. Toujours porter des lunettes de sécurité quand on utilise de l'air comprimé.



Avertissement Les ouvertures de ventilation et les contrôles doivent être maintenus propres et exempts de tout corps étranger. Ne tentez pas de le nettoyer en insérant des objets pointus dans les orifices.



Avertissement Certains agents de nettoyage et solvants endommagent les pièces en plastique. Certains d'entre eux sont les suivants: l'essence, le tétrachlorure de carbone, les solvants chlorés, l'ammoniaque et les détergents ménagers contenant de l'ammoniaque.

Lubrification de l'outil



Avertissement Avant de lubrifier, toujours débrancher l'outil de la source d'alimentation.

Votre Briseur de tuiles Eddy 91 a été lubrifié en usine et est prêt à être employé. Il est recommandé que l'outil soit regraissé avec une graisse à engrenage après chaque 40 heures d'utilisation (environ 2 heures pour 20 jours).

Ajustez l'angle de l'outil à la position verticale maximale. Enlever le capuchon et remplir avec de la graisse d'engrenage. Ajustez l'angle de l'outil à la position verticale maximale. Enlever le capuchon et remplir avec de la graisse d'engrenage. Utilisez une graisse PAO de service intensif, température élevée, synthétique, complexe de sulfonâtes de calcium. Tel que lubex syn de Irving. Graisser avec fusil à graisser (Partie du dessous de l'outil). Graissez avec fusil à graisser (Partie du dessous de l'outil).

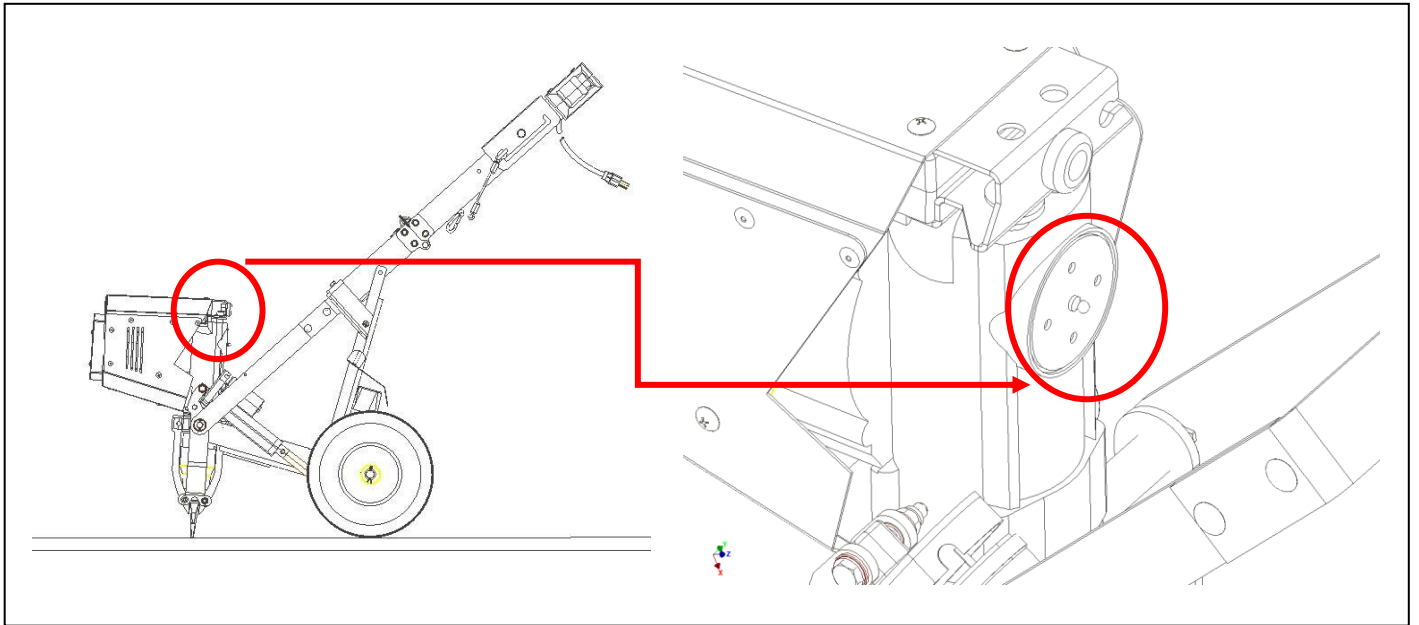
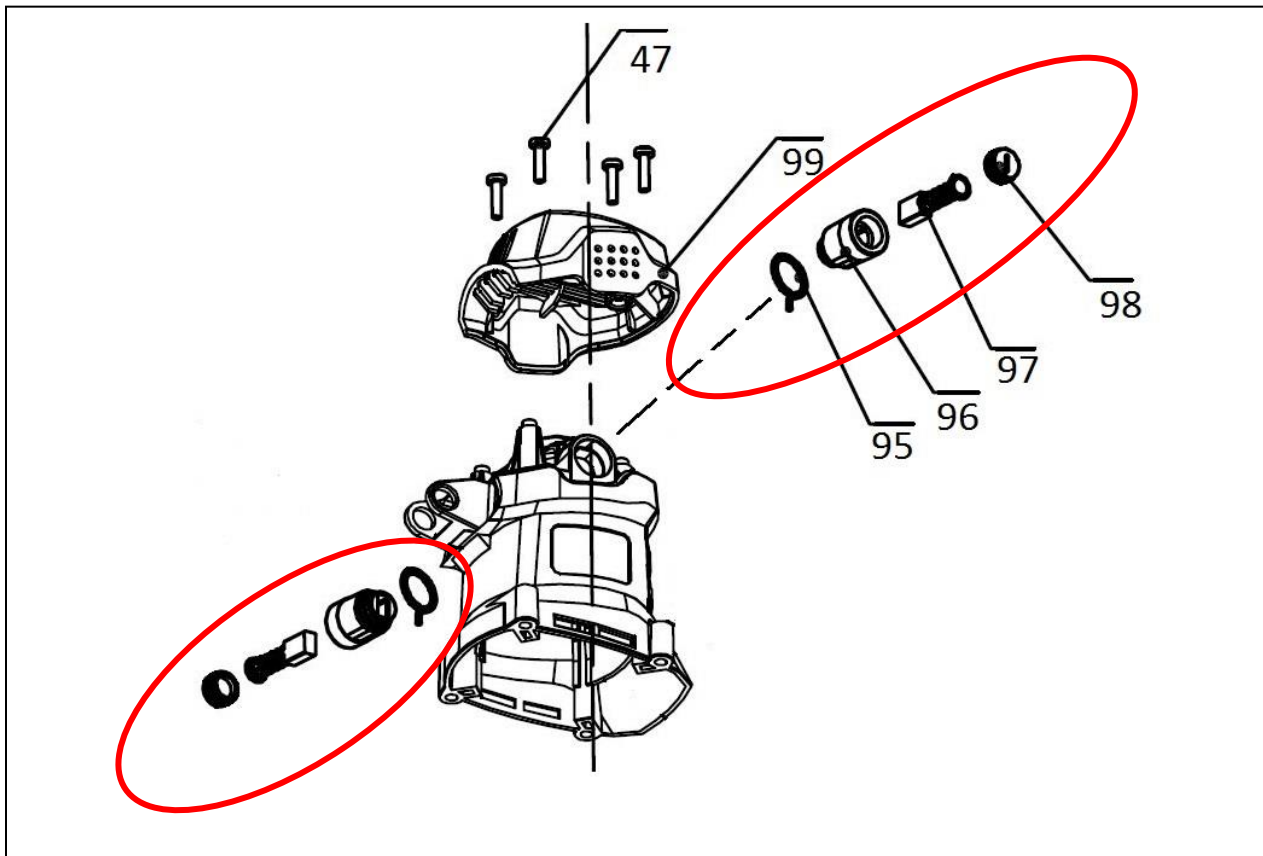


Image montrant où la graisse du moteur doit être ajoutée. L'outil doit être graissé à nouveau avec un lubrifiant d'engrenage après environ 40 heures de fonctionnement. Utilisez une graisse de base PAO avec un point de chute élevé: par exemple: Lubex Syn graisse d'Irving

BROSSES DE CARBONE

Les brosses de carbone utilisées dans votre outil ont été conçues pour de nombreuses heures de service fiable. Pour maintenir l'efficacité maximale du moteur, nous recommandons de vérifier les brosses tous les deux à six mois. Seulement des brosses de rechange Eddy 91 spécialement conçues pour votre outil doivent être utilisées.



Accessoires

Si une rallonge est nécessaire, un cordon avec des conducteurs de dimension adéquate pouvant porter le courant nécessaire à votre outil doit être utilisé. Cela permettra d'éviter une chute de tension excessive, perte de puissance ou une surchauffe. L'outil doit être utilisé avec une rallonge qui possède 3- fiches (mise à la terre) ainsi que des prises électriques avec mise à la terre.

Plus le numéro de calibre est petit, plus le cordon est gros.

DIMENSIONS DE RALLONGES RECOMMANDÉES POUR OUTILS À COURANT 120 VOLTS ALTERNATIF.

Intensité Amps	Taille du cordon en AWG				Grosueur du fil en mm2			
	Longueur du cordon en pieds				Longueur du cordon en mètres			
	25	50	100	150	15	30	60	120
3 - 6	18	16	16	14	0.75	0.75	1.5	2.5
6 - 8	18	16	14	12	0.75	1	2.5	4
TBE3 -> 8-10	18	16	14	12	0.75	1	2.5	4
10 - 12	16	16	14	12	1	2.5	4	-----
12 - 16	14	12	-----	-----	-----	-----	-----	-----

Garantie

Eddy 91 Inc. Garantie 12 mois

Chaque outil Eddy 91 Inc. est inspecté et soigneusement éprouvé avant de quitter l'usine. Il est garanti pendant douze (12) mois à compter de la date d'achat originale, contre tout vice de matière et de fabrication. En cas de panne durant cette période de douze (12) mois, veuillez retourner l'outil au COMPLET, en port payé, à l'un des centres de service après-vente agréés par Eddy 91 Inc. S'il est évident que la panne a été causée par un défaut de matériel ou de fabrication, Eddy 91 Inc. se chargera de réparer l'outil ou de le remplacer sans frais.

Cette garantie ne saurait être invoquée dans le cas où :

- L'entretien normal est requis
- Des réparations ont été exécutées ou tentées par d'autres
- L'outil a été utilisé d'une manière abusive, inadéquate ou été mal entretenu
- L'outil a subi des modifications quelconques

EN AUCUN CAS EDDY 91 INC. NE SAURAIT ENDOSSER UNE REponsabilité QUELCONQUE POUR DES DOMMAGES INDIRECTS OU FORTUITS, CONSÉCUTIVEMENT À LA VENTE ET À L'UTILISATION DE SES PRODUITS, CETTE DÉNÉGATION RESTERA VALIDE DURANT LA GARANTIE ET APRÈS SON EXPIRATION.

La garantie Eddy 91 Inc. est l'unique et entière garantie écrite applicable aux outils de cette marque. Aucun distributeur, ni aucun revendeur ou employé d'un distributeur n'est autorisé à prolonger ou amplifier les termes de cette garantie, que ce soit verbalement, par écrit ou par voix publicitaire.

EDDY 91 INC. REFUSERA D'ENDOSSER, APRÈS L'EXPIRATION DU DÉLAI DE DOUZE (12) MOIS UNE GARANTIE IMPLICITE QUELCONQUE, À L'INCLUSION DES GARANTIES IMPLICITES DE VENDABILITÉ ET D'APTITUDE.

Cette garantie vous confère certains droits et ses termes et conditions n'ont aucunement pour objet de limiter, modifier, dénier ou exclure les garanties promulguées par acte législatif provincial. Tel qu'exigé par la loi, toute provision législative fédérale ou provinciale touchant aux garanties aura la préséance sur celles contenues dans cette garantie.

Service

INSTRUCTIONS POUR LE SERVICE

- Expliquez le problème par écrit dans une lettre et ajoutez votre nom, adresse et # de téléphone.
- Emballez soigneusement l'outil et envoyez-le, port payé, au centre de service autorisé Eddy 91 le plus près, listé plus bas.
- Joignez votre lettre et une copie de la preuve d'achat avec l'outil.

Version en español

Introducción

RESUMEN

Debido al esfuerzo físico prolongado y exigente que requiere la extracción manual de los azulejos de cerámica, cementos y adhesivos, hemos desarrollado una herramienta que permite al operador de tener una mejor postura y esto para todas las fases y los materiales a eliminar.

ERGONOMÍA

Una herramienta ergonómica para la eliminación de revestimiento de suelo de cerámica, cuyo diseño se centra en reducir el esfuerzo físico y la prevención de lesiones profesionales del operador. Gracias a su geometría que permite una amplia variación de ángulos de ataque en los diversos revestimientos a eliminar y a la altura óptima de sus agarraderas, el removedor de azulejos permite una posición cómoda al operador.

DESCRIPCIÓN GENERAL

El sistema cuenta de una herramienta de impacto, un sistema de posicionamiento y de regulación de ángulos, una agarradera plegable con un interruptor y botones de control, una placa de empuje, ruedas y tijeras 1", 2" y 3".

AJUSTE DEL ÁNGULO

El actuador eléctrico permite el posicionamiento de la herramienta a los diferentes ángulos necesarios para el trabajo a realizar. En el lado opuesto del actuador, se ha añadido una etiqueta graduada y una aguja que muestra al operador los grados de la herramienta. Por ejemplo, un ángulo de más o menos 30 grados es utilizado para la eliminación de las baldosas de cerámica en lugar de un ángulo de 70 grados para quitar el mortero. Esta regla se convierte así en un punto de referencia para el operador. El actuador eléctrico está conectado a un control de arriba y de abajo integrado en el mango que permite el posicionamiento de la herramienta en toda seguridad sin esfuerzo manual.

Reglas generales de seguridad

ADVERTENCIA!



Lea todas las instrucciones.

La falta de seguir todas las instrucciones enumeradas abajo puede dar lugar a descarga eléctrica, a fuego y/o a lesión seria. El término “herramienta eléctrica” en todas las advertencias enumeradas abajo refiere a su herramienta eléctrica (encordelado) por tuberías o a la herramienta eléctrica (sin cuerda) con pilas.

EXCEPTO ESTAS INSTRUCCIONES

Este equipo debe ser operado en cumplimiento con todas las regulaciones de OSHA.

Área de trabajo

- Área de trabajo de la subsistencia y bien iluminado. Las áreas estorbadas y oscuras invitan accidentes.
- No funcione las herramientas eléctricas en atmósferas explosivas, por ejemplo en presencia de líquidos inflamables, gases o polvo.
- Las herramientas eléctricas crean las chispas que pueden encender el polvo o los humos.
- Mantenga a los niños y a personas presentes ausentes mientras que funciona una herramienta eléctrica. La distracción puede hacerle perder control.

Seguridad eléctrica

- Los enchufes de la herramienta eléctrica deben emparejar el enchufe. Nunca modifique el enchufe de cualquier manera. No utilice ningún enchufe de adaptador con las herramientas eléctricas (puestas a tierra) conectadas a tierra. Los enchufes sin modificar y los enchufes que emparejan reducirán riesgo de la descarga eléctrica.
- Evite el contacto del cuerpo con las superficies conectadas a tierra o puestas a tierra tales como pipas, radiadores, gamas y refrigeradores. Hay un riesgo creciente de la descarga eléctrica si se conecta a tierra o se pone a tierra su cuerpo.
- No exponga las herramientas eléctricas a la lluvia o a las condiciones mojadas. El agua que entra en una herramienta eléctrica aumentará el riesgo de la descarga eléctrica.
- No abuse de la cuerda. Nunca utilice la cuerda para llevar, tirar o desenchufar de la herramienta eléctrica. Guarde la cuerda lejos del calor, del aceite, de bordes agudos o de piezas móviles. Las cuerdas dañadas o enredadas aumentan el riesgo de la descarga eléctrica.
- Al funcionar una herramienta eléctrica al aire libre, utilice una cuerda de la extensión conveniente para el uso al aire libre. El uso de una cuerda conveniente para el uso al aire libre reduce riesgo de la descarga eléctrica.

Seguridad personal

- Alarma de la estancia, reloj qué usted está haciendo y utiliza sentido común al funcionar una herramienta eléctrica. No utilice una herramienta eléctrica mientras que usted es cansado o bajo influencia de drogas, del alcohol o de la medicación. Un momento de la inatención mientras que las herramientas eléctricas de funcionamiento pueden dar lugar a daños corporales serios.

- Utilice el equipo de seguridad. Use siempre la protección de ojo. Equipo de seguridad por ejemplo saque el polvo de la máscara, zapato antideslizante de seguridad, sombrero duro, o la protección de oído usada para las condiciones apropiadas reducirá daños corporales.
- Evite comenzar accidental. Asegure el interruptor está en la apagado-posición antes tapan las herramientas eléctricas del pulg. Que llevan con su dedo en el interruptor o el tapan en energía las herramientas que tienen el interruptor encendido invitan accidentes.
- Quite cualquier llave de ajuste tal como llave antes de girar la herramienta eléctrica. Una llave o una izquierda dominante unida a una pieza que rota de la herramienta eléctrica puede resultar adentro daños corporales.
- No rebase. Mantenga el pie y el equilibrio apropiados siempre. Esto permite un control mejor de la herramienta eléctrica en situaciones inesperadas.
- Vestido correctamente. No use la ropa o la joyería floja. Guarde su pelo, ropa y guantes lejos de piezas móviles. Ropas flojas, joyería o pelo largo puede ser cogido en piezas móviles.
- Si los dispositivos se proporcionan para la conexión de las instalaciones de la extracción y de la colección de polvo, asegure éstos están conectados y utilizados correctamente. Uso de estos dispositivos puede reducir peligros polvo-relacionados.

Uso y cuidado de la herramienta eléctrica

- No fuerce la herramienta eléctrica. Utilice la herramienta eléctrica correcta para su uso. La herramienta eléctrica correcta hará el trabajo mejor y más seguro en la tarifa para la cual estaba diseñado.
- No utilice la herramienta eléctrica si el interruptor no le da vuelta por intervalos. Cualquier energía filete que no se puede controlar con el interruptor es peligroso y debe ser reparado.
- Desconecte el enchufe de la fuente de energía y/o del paquete de la batería de la herramienta eléctrica antes de hacer cualesquiera accesorios de los ajustes, el cambiar, o almacenar herramientas eléctricas. Tales medidas de seguridad preventivas reducen el riesgo de comenzar la energía herramienta accidentalmente.
- Almacene las herramientas eléctricas ociosas fuera del alcance de niños y no permita las personas desconocedoras con la herramienta eléctrica o estas instrucciones de funcionar la herramienta eléctrica. Las herramientas eléctricas son peligrosas en las manos de usuarios inexperimentados.
- Mantenga las herramientas eléctricas. Compruebe para saber si hay desalineamiento o atascamiento de las piezas móviles, de la fractura de piezas y de cualquier otra condición que puedan afectar las herramientas eléctricas operación. Si está dañado, tenga la herramienta eléctrica reparada antes de usar. Muchos accidentes son causados por las herramientas eléctricas mal mantenidas.
- Mantenga las herramientas de corte aguda y limpia. Las herramientas de corte correctamente mantenidas con los filos agudos son menos probables atar y son más fáciles de controlar.
- Utilice la herramienta eléctrica, los accesorios y los pedacitos etc. de la herramienta de acuerdo con estas instrucciones y de la manera prevista para el tipo particular de herramienta eléctrica, considerando las condiciones de trabajo y el trabajo que se realizarán. Uso de la herramienta eléctrica para las operaciones diferentes de éstas previstas podía dar lugar a situación peligrosa.

Servicio

Haga que su herramienta eléctrica sea mantenida por una persona cualificada de la reparación que usa solamente piezas de recambio idénticas. Esto se asegurará de que la seguridad de las herramientas eléctricas esté mantenida.

Reglas adicionales de seguridad

Este equipo debe ser operado en cumplimiento con todas las regulaciones de OSHA.

- El trapos, el paño, la cuerda, las secuencias y los similares se deben nunca dejar alrededor del área de trabajo.
- Aumento material enredado el riesgo de accidentes. Maneje las láminas muy cuidadosamente. Los bordes agudos pueden causar lesiones. Utilice el protector y los guantes proporcionados a la manija.
- Asegúrese de que sean los pernos de retención de la lámina aprieten con seguridad antes de funcionar la herramienta. Los pernos flojos generarán la vibración inusual y pueden dar lugar a lesiones.
- Sostenga la herramienta firmemente con ambas manos. El control de la herramienta requiere un asimiento firme y el sostener con ambas manos prevendrá accidentes potenciales.
- Manos de la subsistencia lejos de piezas que rotan. Las piezas móviles pueden causar lesiones y descarga eléctrica.
- Antes de usar la herramienta, déjela funcionar marcha lenta durante algún tiempo. Reloj para las vibraciones inusuales o bambolear que podrían indicar la instalación pobre o una lámina equilibrada mal instalada. Las vibraciones inusuales o el bambolear indican las láminas pobres de la instalación o mal del balance. Esto puede causar accidentes o resultado en lesiones.
- No deje un funcionamiento de la herramienta eléctrica desatendido. Funcione la herramienta cuando mano - llevada a cabo solamente.
- Nunca cambie la longitud del perno en los choques de goma y no utilice las calzas o los bujes en tapa o fondo. El tratar de forzar con estas piezas puede dar lugar a accidentes y a lesiones.

Compruebe para saber si hay piezas dañadas antes de usar la herramienta. Un protector o una parte dañado debe ser comprobado cuidadosamente para determinarse si funciona correctamente y realiza su función prevista. Compruebe la alineación de piezas móviles, atar de piezas móviles, la fractura de piezas, el montaje y cualquier otra condición que puedan afectar la operación de la herramienta. El protector o la otra parte se daña que debe ser reparado o ser substituido correctamente por un centro de servicio autorizado antes de usar la herramienta.

Verificación del voltaje

Antes de conectar la herramienta con una fuente de energía, cerciórese de que el voltaje proveído es igual que el que está especificado en la placa de identificación de la herramienta. Una fuente de energía con un mayor voltaje puede dar lugar a lesión seria al usuario así como daño a la herramienta. Si en duda, no el tapón-en la herramienta. Usar voltaje más bajo que especificado es dañoso al motor.

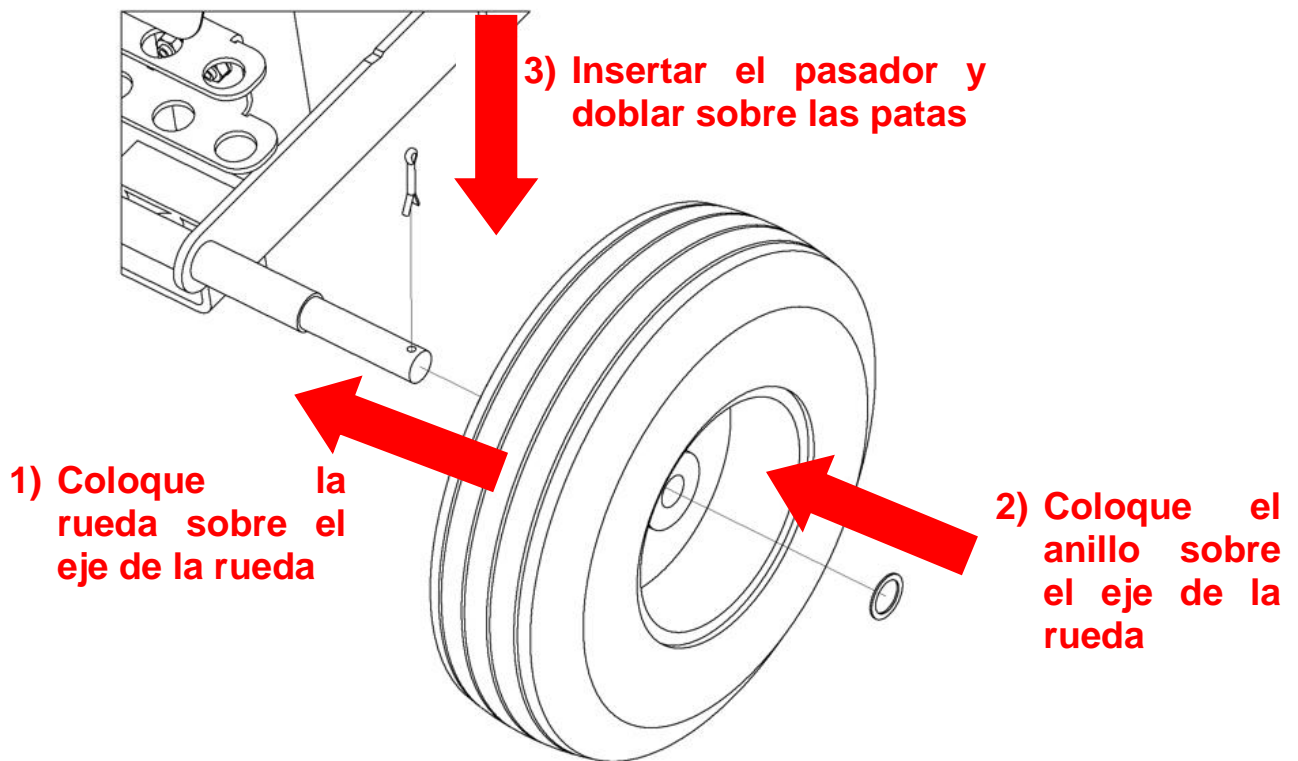
Desembalaje

- Abra la caja y saque el Azulejo removedor de la misma. E Azulejo removedor se encuentra.
- Para evitar lesiones, un cable de seguridad bloquea el manillar en una posición plegada. Para desplegar el manillar, abra el cierre del cable y levante la manija de elevación hacia arriba hasta que los anclajes de bisagra estén alineados. Insertar el pasador de bisagra hasta que el balón resorte encaje en su lugar.



WARNING

Al levantar el manillar, asegúrese de que ninguna parte del cuerpo, incluidas las manos, esté tocando la junta del mecanismo de bloqueo del manillar.



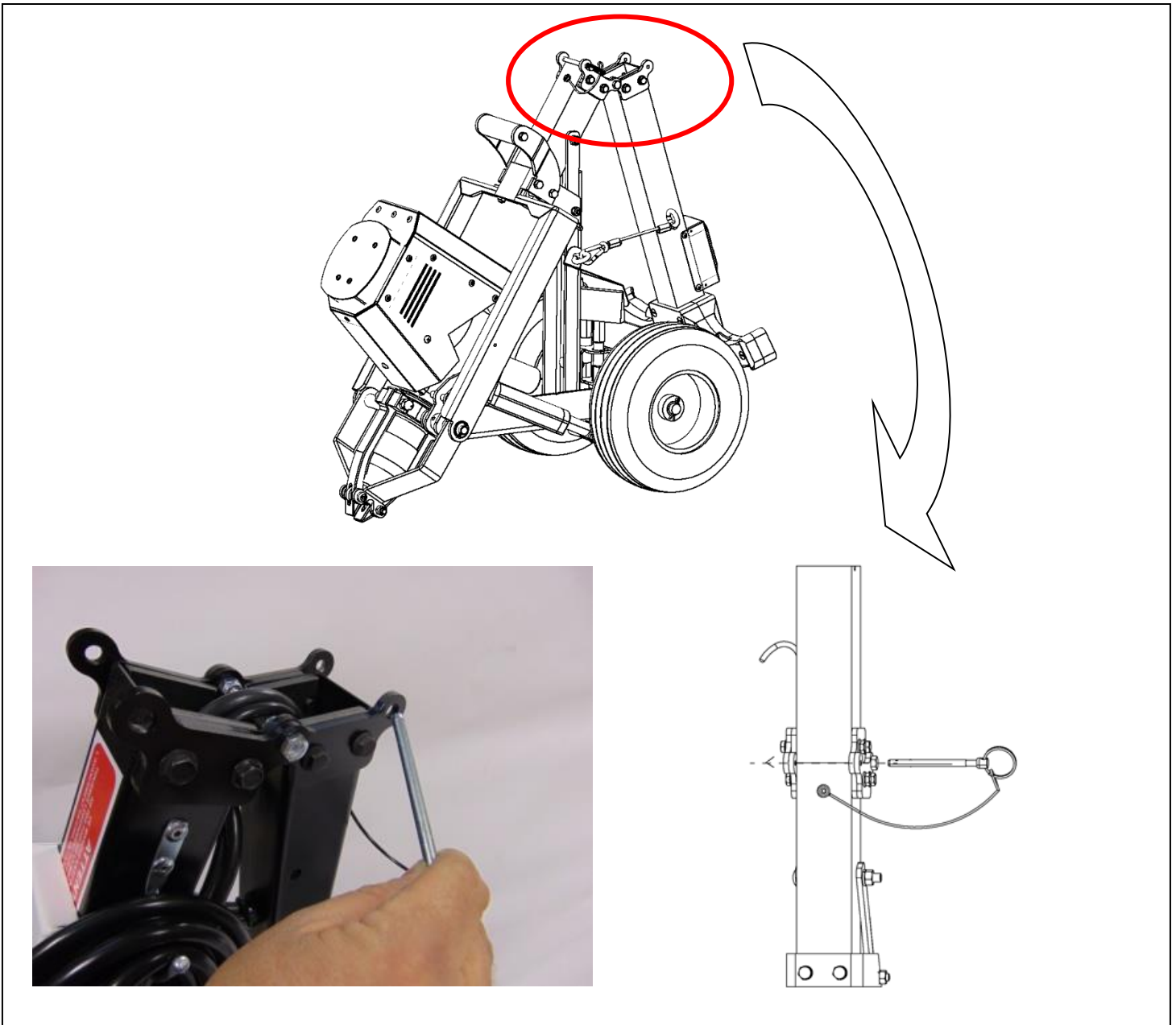


Figura para indicar cómo instalar el mango correctamente. El perno de la bisagra necesita ser insertado en los anclajes de la bisagra

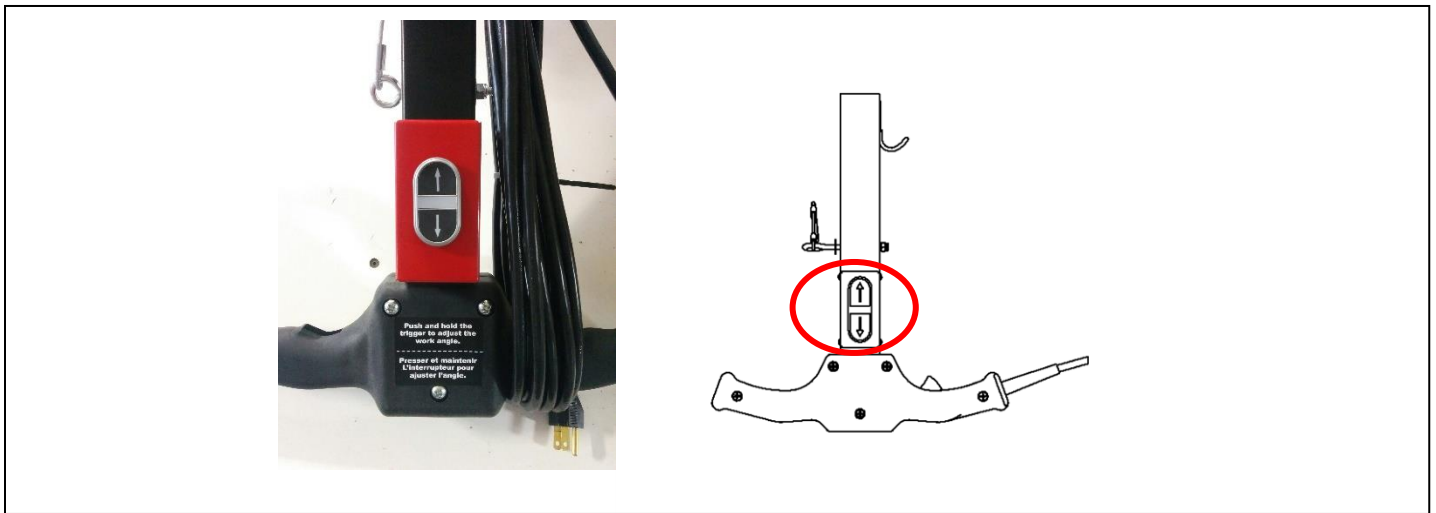
Instrucciones de uso

CONTROLES Y AJUSTES

Para iniciar la extracción de los azulejos de cerámica, oprima el interruptor de disparo y empuje el cincel en los azulejos. Al oprimir el interruptor se activará el motor de la herramienta y el movimiento de empuje iniciará el movimiento de impacto.

Según el tipo de baldosas y / o eliminar la mortero, es posible que tenga que cambiar el ángulo de la herramienta. Para cambiar el ángulo de la herramienta, pulse en el interruptor y en seguida en el selector de ángulo de la herramienta arriba o abajo hasta que el ángulo correcto se encuentre.

Véase a continuación y en la página siguiente para obtener consejos sobre el ángulo y tamaño del cincel.



SELECCIÓN DE CINCEL



WARNING: Siempre desconecte el cable de alimentación antes de proceder a la instalación o desinstalación del cincel.

El removedor de azulejos Eddy 91 TBE3 viene con un juego completo de 3 tamaños de cinceles. Están convenientemente situados en la parte posterior de la herramienta.

Principio de cómo desbloquear el selector de ángulo y cómo cubrirlo de nuevo



WARNING: Use solamente el Eddy 8" cinceles largos. Largos no son adecuados cincel y para no danar la herramienta.

Para prevenir posibles lesiones, se prevé unos protectores encima de los cinceles. Para lograr a los cinceles o colocarlos, levante la tapa. Cuando haya terminado, baje los protectores de nuevo a la posición original.

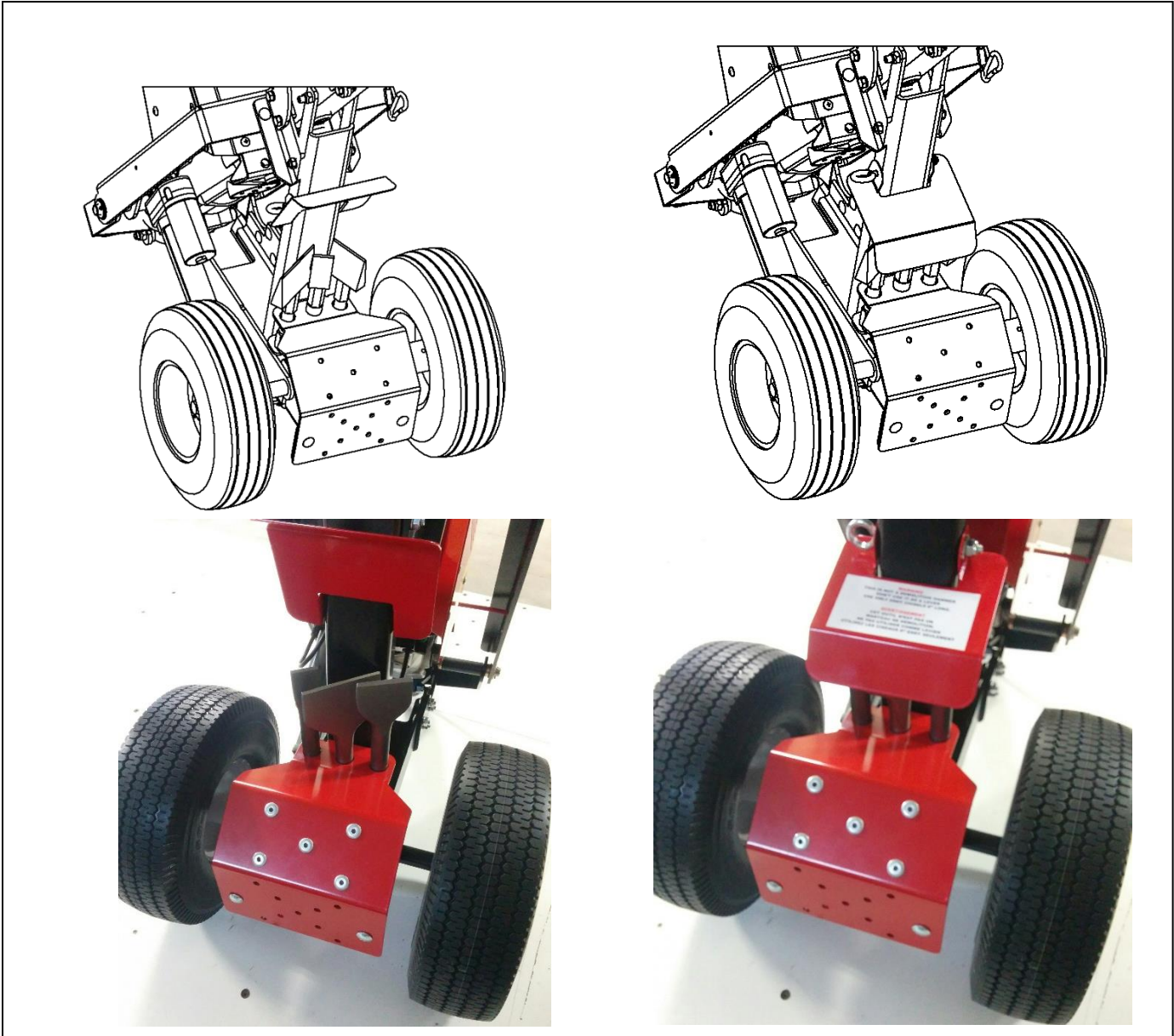


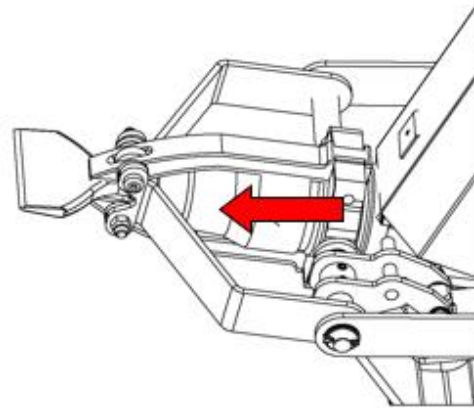
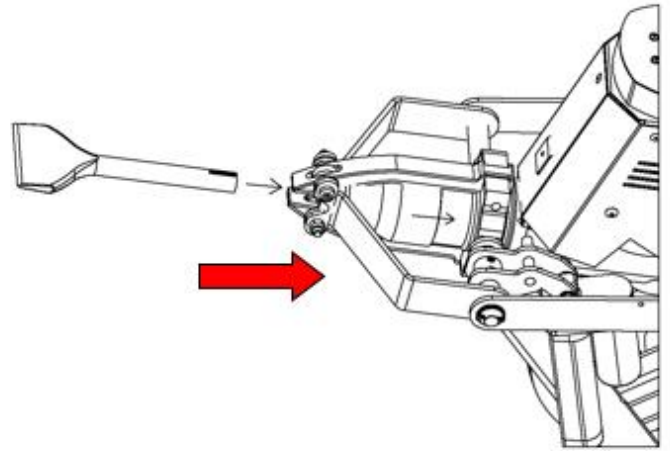
Imagen que muestra la cubierta del cincel

Elige el cincel para el trabajo que cumplir. Existen 3 tamaños de cinceles, 1", 2" y 3".

La mayoría de los azulejos se pueden eliminar con los cinceles "y 2". El cincel 3" se utiliza principalmente para eliminar el mortero.

Insertar un cincel.

- Inclinarse la herramienta hacia atrás.
- Insertar el cincel en el mandril mientras frena el porta brocas.
- Girar el cincel hasta que la ranura dedicada para el cincel antes de soltar el mandril.
- Soltar el mandril.



Principio de cómo instalar un cincel en el rompehielos:

- Inserte el cincel mientras empuja hacia atrás el portabrocas (ésta es la parte negra del martillo)
- Coloque el cincel en el martillo hasta que la ranura del cincel esté enganchada
- Suelte el portabrocas.

Mantenimiento

Uso y cuidado de la herramienta

No fuerce la herramienta. Utilice el cincel adecuado para su aplicación. El bueno cincel hará el trabajo mejor y más seguro para los que fue diseñado.

Desconecte el enchufe de la red antes de realizar cualquier operación de mantenimiento de la herramienta. Utilice sólo los cindeles que se proporcionan con la herramienta. Los accesorios que pueden ser adecuados para una herramienta, pueden ser peligrosos si se utilizan en otra herramienta.

LIMPIEZA

Para evitar accidentes desconecte siempre la herramienta del suministro de corriente antes de limpiarla o darle mantenimiento. La herramienta se puede limpiar más eficazmente con aire comprimido seco. Siempre use gafas de seguridad siempre que limpie herramientas con aire comprimido.



WARNING: Las aberturas de ventilación y los controles se deben mantener limpios y libres de materias extrañas. No intente limpiar introduciendo objetos puntiagudos a través de las aberturas.



WARNING: Ciertos agentes de limpieza y disolventes dañan las partes plásticas. Algunos de estos son: gasolina, tetracloruro de carbono, disolventes limpiadores clorados, amoníaco y detergentes domésticos que contienen amoníaco.

Herramienta de lubricacion



WARNING: Antes de lubricar, siempre desconecte la herramienta de la fuente de alimentación.

Su removedor de azulejos Eddy 91 se ha lubricado en fábrica y está listo para usar. Se recomienda que la herramienta se re-lubrique con grasa de engranaje en cada cambio de cepillo (alrededor de 2 horas para 20 horas). Utilice una grasa basada en PAO con un alto punto de goteo y un amplio rango de temperatura de aplicación. Se recomienda utilizar una grasa sintética que utilice un espesante complejo de sulfonato de calcio junto con aceite de PAO sintético. Un ejemplo de tal grasa sería lubex syn from Irving. Ajustar el ángulo de la herramienta a la posición máxima vertical. Retirar la tapa y rellenar con grasa de engranaje. Añada grasa con una pistola de grasa. Parte inferior de la herramienta.

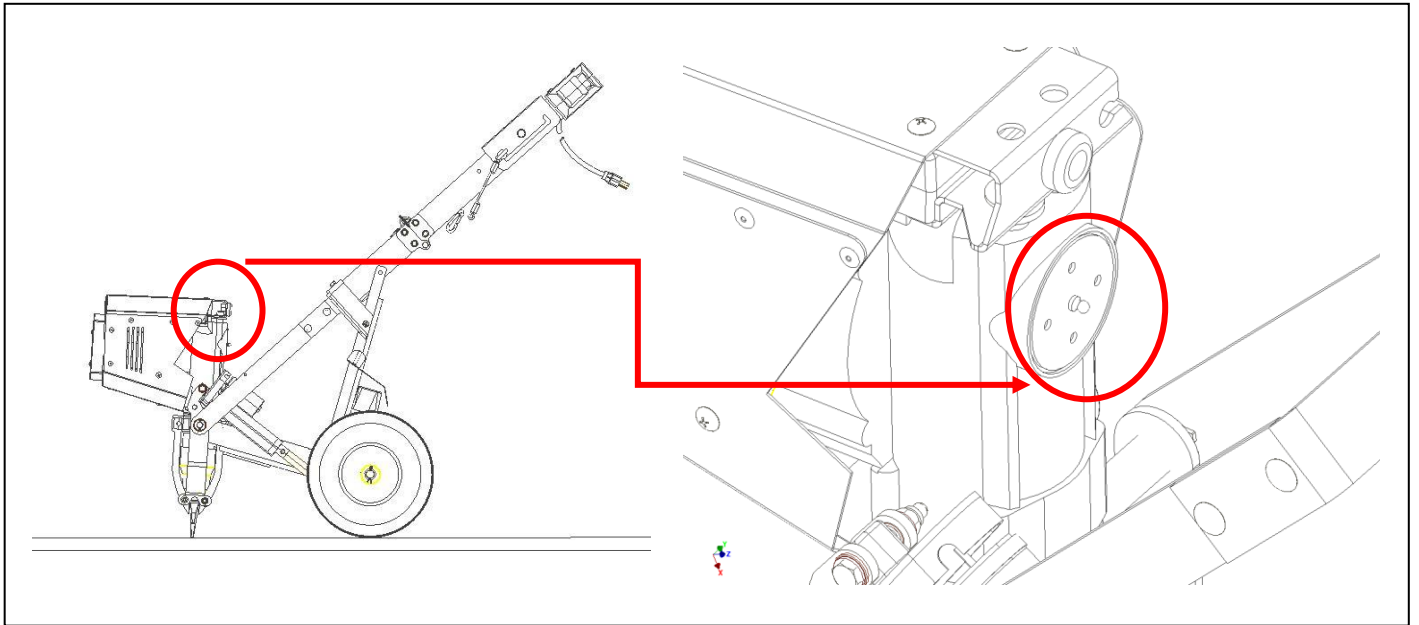
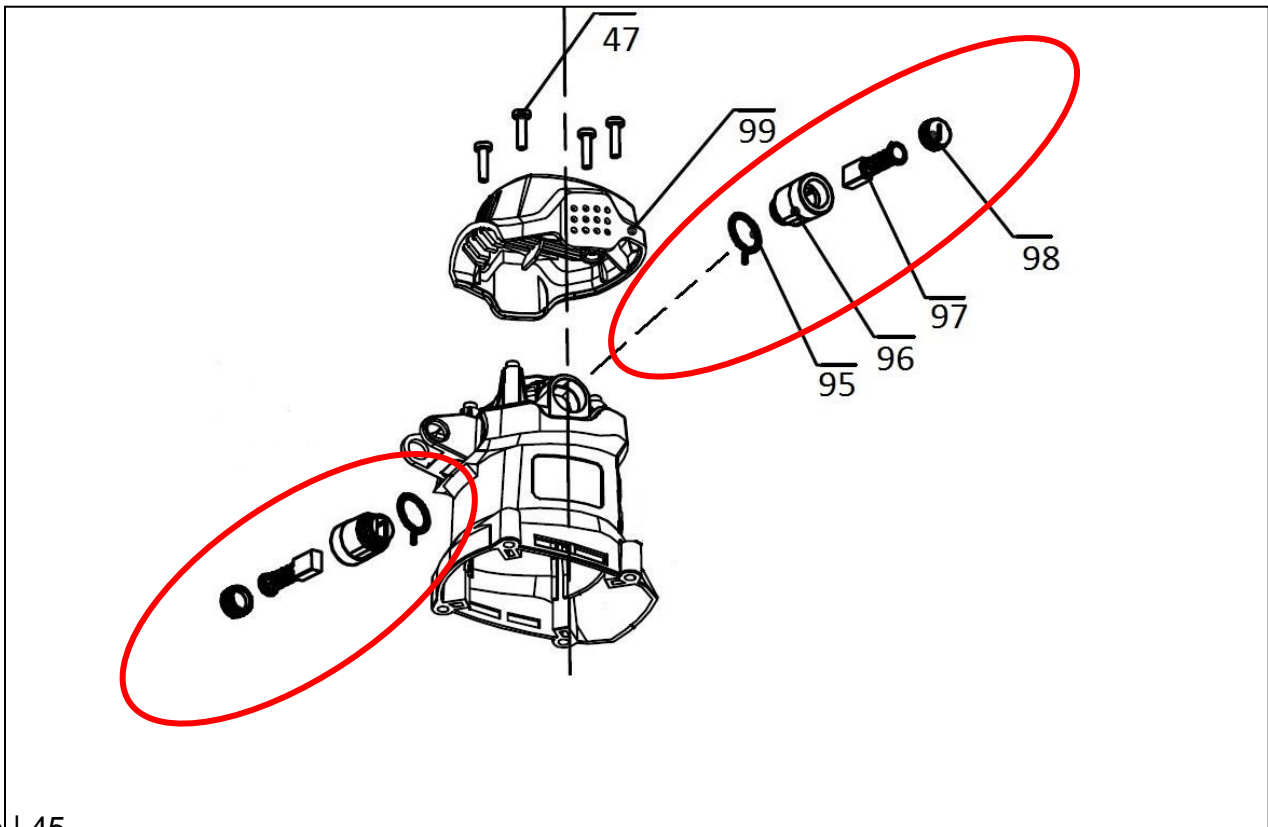


Imagen que muestra dónde debe añadirse la grasa del motor. La herramienta debe volver a engrasar con un lubricante de engranaje después de aproximadamente 40 horas de funcionamiento. Utilice una grasa base PAO con un alto punto de goteo: por ejemplo: Grasa Lubex Syn de Irving

Carbon brushes

Las escobillas de carbón utilizados en la herramienta han sido diseñados para muchas horas de servicio fiable. Para mantener la máxima eficiencia del motor, se recomienda la comprobación de los cepillos a cada dos a seis meses. Sólo Eddy 91 cepillos de repuesto diseñados especialmente para su herramienta debe ser utilizada.



Accesorios



WARNING: Si utiliza un cable de extensión, es necesario usar un cordón con conductores de tamaño adecuado que sea capaz de transportar la corriente necesaria para la herramienta. Esto evitará la caída de tensión excesiva, pérdida de potencia o recalentamiento. Las herramientas conectadas a tierra deben usar cordones de extensión de 3-cables y receptáculos.

NOTA: Más pequeños sea el número de calibre, más grueso es el cordón.

TAMAÑOS RECOMENDADOS DE CORDONES DE EXTENSION DE 120 V PARA HERRAMIENTA DE CORRIENTE ALTERNA.

Clasificación de Amps	Cable de tamaño en AWG				Tamaño del cable en mm ²			
	Longitud del cable en pies				Longitud del cable en metros			
	25	50	100	150	15	30	60	120
3 - 6	18	16	16	14	0.75	0.75	1.5	2.5
6 - 8	18	16	14	12	0.75	1	2.5	4
TBE3 -> 8-10	18	16	14	12	0.75	1	2.5	4
10 - 12	16	16	14	12	1	2.5	4	-----
12 - 16	14	12	-----	-----	-----	-----	-----	-----

Garantía

Eddy 91 Inc. Garantía 12 meses

Cada herramienta Eddy 91 Inc. es examinada y cuidadosamente probada antes de dejar la fábrica. Se garantiza durante doce (12) meses a partir de la fecha de compra original, contra todo defecto de materia y fabricación. En caso de avería durante este período de doce (12) meses, quiere devolver la herramienta completa, en porte pagado, al una de los centros de servicio postventa autorizado por Eddy 91 Inc.. Si está claro que la avería a verano causada por un defecto de material o fabricación, Eddy 91 Inc. se encargará reparar la herramienta o sustituirlo gastos.

Esta garantía no podría alegarse cuando:

- El mantenimiento normal es requerido
- Algunas reparaciones fueron realizadas o intentadas por otros
- La herramienta a verano utilizada de una manera abusiva, inadecuada o mantenida mal
- La herramienta a sufrido de las modificaciones cualesquiera

NUNCA EDDY 91 INC. NO PODRÍA ASUMIR un REponsabilITÉ CUALQUIER PARA DAÑOS INDIRECTOS O FORTUITOS, CONSECUTIVAMENTE a la VENTA Y a la UTILIZACIÓN de SUS PRODUCTOS, ESTA DENEGACIÓN SEGUIRÁ SIENDO VÁLIDA DURANTE la GARANTÍA Y DESPUÉS de SU EXPIRACIÓN.

La garantía Eddy 91 Inc. es la única y entera garantía escrita aplicable a las herramientas de esta marca. A ningún distribuidor, ni ningún minorista o empleado de un distribuidor no se autoriza a prolongar o a ampliar los términos de esta garantía, tanto, por escrito verbalmente como por voz publicitaria.

EDDY 91 INC. SE NEGARÁ A ASUMIR, DESPUÉS DE LA EXPIRACIÓN DEL PLAZO DE DOCE (12) MESES UNA GARANTÍA IMPLÍCITA CUALQUIERA, A LA INCLUSIÓN DE LAS GARANTÍAS IMPLÍCITAS DE VENDABILITÉ Y APTITUD.

Esta garantía les confiere algunos derechos y sus términos y condiciones no tienen en ningún caso por objeto limitar, modificar, negar o excluir las garantías promulgadas por acto legislativo provincial. Como exigido por la ley, toda provisión legislativa federal o provincial en relación con a las garantías tendrá la presesión sobre las contenidas en esta garantía.

Servicio

INSTRUCCIONES PARA EL SERVICIO

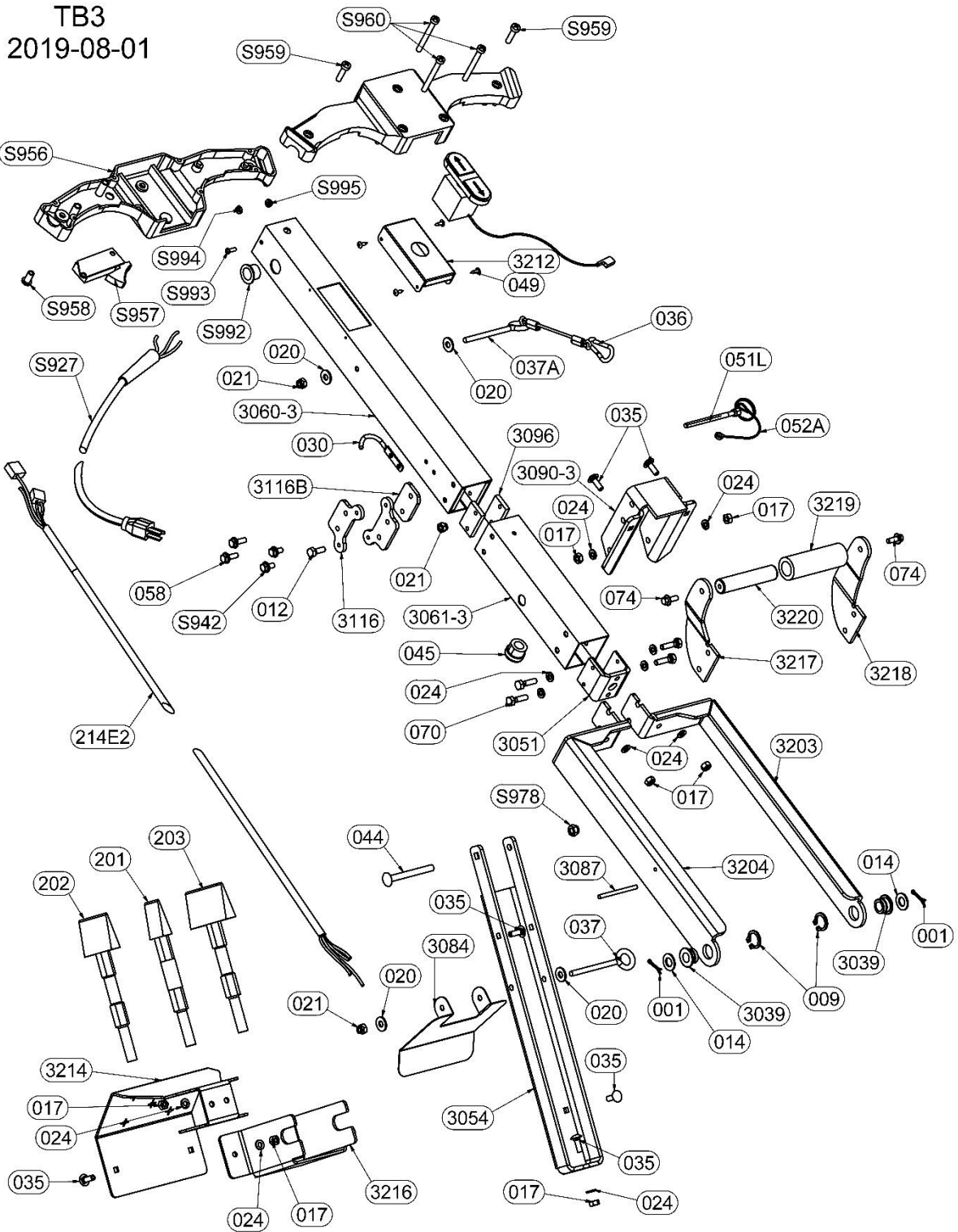
- Explique el problema por escrito en una carta y añada su nombre, dirección y # de teléfono.
- Embale cuidadosamente la herramienta y envía el, pagado puerto, en el centro de servicio autorizado Eddy 91 el lo más cerca posible, alistado más bajo.
- Adjunte su carta y una copia del Registro de la compra con la herramienta.

Appendices

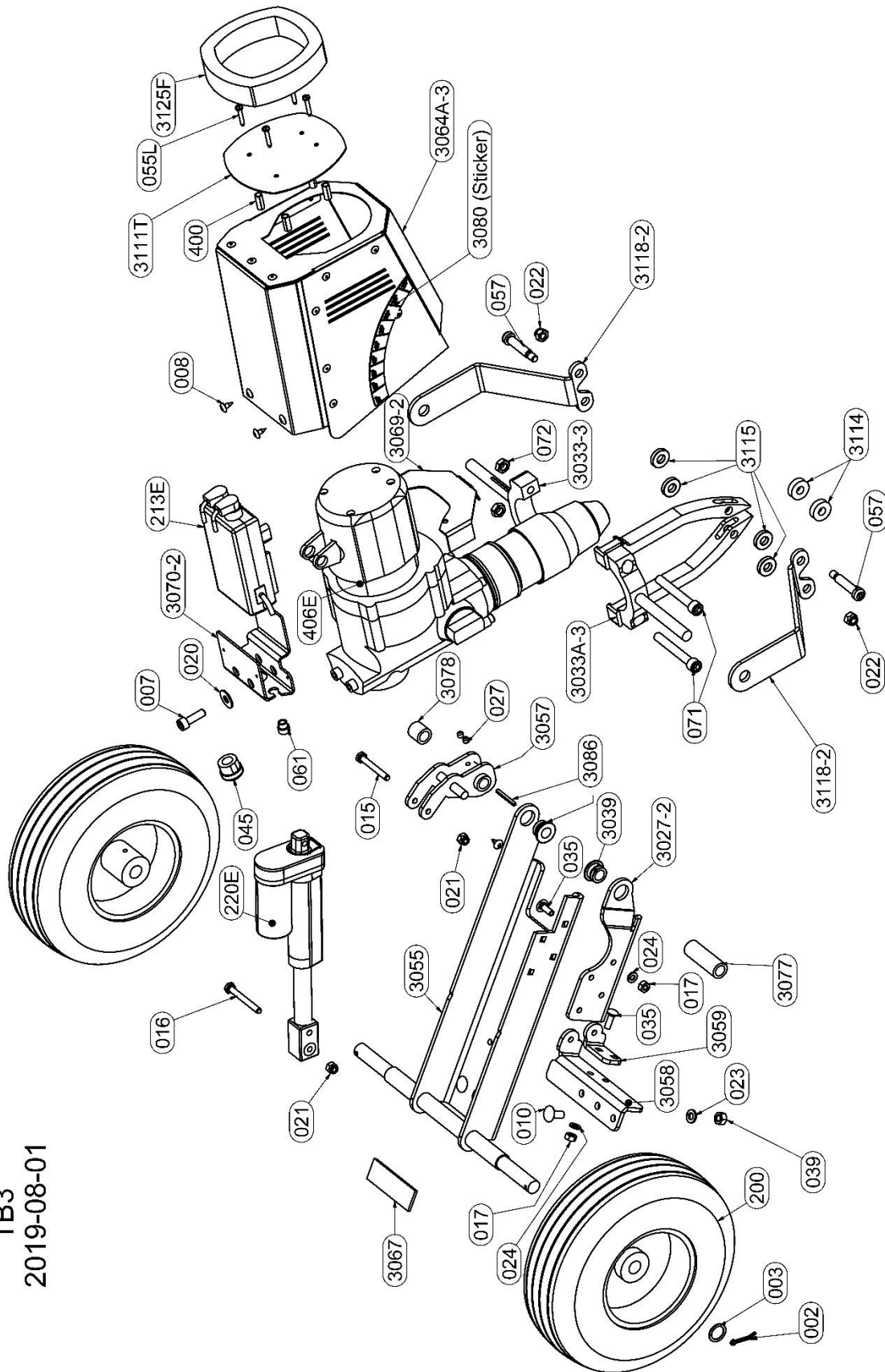
SPECIFICATIONS / SPÉCIFICATIONS / ESPECIFICACIONES

SPECIFICATIONS	
Overall length <i>Longueur totale</i> Longitud total	25 1/4"
Net weight * <i>Poids net *</i> Peso neto *	65 lbs
Power supply <i>Pouvoir d'alimentation</i> Fuente de alimentación	120 volts - 11 amps 60Hz
Rated input power <i>Puissance absorbée nominale</i> Potencia nominal de entrada	1300 W (11A)
Max. Impact rate <i>Taux d'impact Max</i> Max. las tasas de impacto	3600/Min.
Impact joules <i>Joules d'impact</i> Joules Impacto	2-8J

EXPLODED VIEWS / *VUES EN ÉCLATÉ* / VISTAS DESARROLLADAS



TB3
2019-08-01



PARTS LIST / LISTE DES PIÈCES / LISTA DE PIEZAS

Code	Qty/Unit	Description (en)	Description (fr)
S0927	1	Male Cord CSA-VL	Cordon Prise mâle
S0942	4	Bolt Lock M6 x 12MM	Boulon de blocage M6 x 12MM
S0956	1	Plastic Handle	Poignée plastique
S0957	1	Trigger	Gachette
S0958	5	Steel Insert For Handle	Insertion en acier pour poignée
S0959	2	Bolt 1/4-20 x 1" LG	Boulon 1/4-20 x 1" LG
S0960	3	Bolt 1/4-20 x 2" LG	Boulons 1/4-20 x 2"
S0978	1	Plastic lock nut 5/16-18	Écrou barré 5/16-18 plastique
S0992	1	Snap-in universel bushing	Manchons instantanés universel
S0993	1	Machine screw rond head #8-32	Vis à tête ronde #8-32
S0994	1	Hexagon Locknuts	Écrou barré hexagonale
S0995	1	Hexagon nuts	Écrou hexagonale
TBE001	2	Cotter pins 3/32 X 3/4	Goupille fendue 3/32" x 3/4"
TBE002	2	Cotter pins 1/8 x 1	Goupille fendue 1/8" x 1"
TBE003	2	Flat Washer	Rondelle d'acier
TBE007	2	Hex Bolt Cap M8 x 1.25 x 20MM	Boulon hexagonale M8 x 1.25 x 20MM
TBE008	5	Thread Cutting Screw #8 x 1/2	Vis filetage #8 x 1/2
TBE009	2	External Retaining Ring 3/4	Bague d'arrêt externe 3/4
TBE010	4	Hex Bolt 5/16-18 x 3/4	Boulon hexagonale 5/16-18 x 3/4
TBE012	4	Hex Bolt Zinc 1/4-20 x 3/4	Bolt hexagonale en zinc 1/4-20 x 3/4
TBE014	2	Flat Washer 1/2, 1/32ID x 7/8OD x 0.032	Rondelle plate 1/2, 1/32ID x 7/8OD x 0.032
TBE015	1	Hex Bolt Screw 1/4" (Partially Threaded)	Boulon hexagonale 1/4" (Partiellement enfilé)
TBE016	1	Hex Bolt Screw 1/4" (Fully Threaded)	Boulon hexagonale 1/4" (Entièrement enfilé)
TBE017	18	Nuts 1/4	Écrou 1/4
TBE020	2	Washer 1/4	Rondelle 1/4
TBE021	6	Nylon Locknut 1/4	Écrou à blocage de nylon 1/4
TBE022	3	Locknut 5/16	Écrou à blocage 5/16
TBE023	4	Lock Washers 5/16	Rondelle barrée 5/16
TBE024	24	Lock Washers 1/4	Rondelle barrée 1/4
TBE027	2	Hexagon Socket Screw	Vis de blocage
TBE029	4	Flat Washer #10	Rondelle plate #10
TBE030	1	Hook for Wire	Crochet pour fils
TBE035	18	Carriage Bolt 1/4-20 x 3/4	Boulon de carrosserie 1/4-20 x 3/4
TBE036	1	Snap Hook	Mousqueton
TBE037	2	Eye Bolt 1/4-20 x 4 L 1/2	Boulon à anneau 1/4-20 x 4 L 1/2
TBE037A	1	Security Cable	Câble de sécurité
TBE039	4	Nut 5/16	Écrou 5/16
TBE044	1	Carriage Bolt 5/16-18 x 3	Boulon de carrosserie 5/16-18 x 3
TBE045	2	Relief Bushing 7/8	Douille 7/8

TBE049	4	Tapping Screw #6 x 1/2	Vis filetage #6 x 1/2
TBE051L	1	Long Locking Pin	Goupille de verrouillage longue
TBE052A	1	Iron wire for pin	Câble pour attache
TBE055L	4	Srew #6 x 1"1/2	Vis #6 x 1"1/2
TBE057	2	Shoulder Bolt 3/8"	Boulon à épaulement 3/8"
TBE058	4	Bolt Lock M6 x 20MM	Boulon de blocage M6 x 20MM
TBE061	1	Open Bushing	Manchons ouvert
TBE070	4	Hex Bolt 1/4-20 x 1	Boulon hexagonale 1/4-20 x 1
TBE071	2	Allen Cap 3/8-24 x 3	Boulon à six pans creux 3/8-24 x 3
TBE072	2	Nylon Locknut 3/8	Écrou à blocage de nylon 3/8
TBE074	2	Hex Bolt M6-18	Boulon hexagonale M6-18
TBE200TMP	2	Polyurethane Foam for Wheels	Mousse en polyuréthane pour roues
TBE201	1	Chisel 1" X 8" LG	Ciseau 1" X 8" LG
TBE202	1	Chisel 2" X 8" LG	Ciseaux 2" X 8" LG
TBE203	1	Chisel 3" X 8" LG	Ciseaux 3" X 8" LG
TBE211E	1	Actuator Up/Down Switch	Commutateur haut/bas de actuateur
TBE213E	1	Power Supply 110-220 VAC 1500MA 50/60hz	Alimentation 110-220 VAC 1500MA 50/60hz
TBE214E	1	Motor's Cable	Câbles pour moteur
TBE220E	1	Actuator 24 VCD x 100MM	Actuateur 24 VCD x 100MM
TBE237	1	Cable Sleeve	Gaine de câble
TBE3027A-2	1	Wheel Channel Plate	Plaque support de roue
TBE3033-3	1	Hardened Split Collet Ver 3	Col fendu trempé Ver 3
TBE3033A3	1	Split Collet with Reinforcements Ver. A3	Col fendu avec renforts Ver. A3
TBE3039	4	Flange Oil Lite Bushing	Coussinet à collerette
TBE3051	1	Fork Adapter	Adaptateur de fourche
TBE3054	1	Square Tube Post	Poteau tube carré
TBE3055	1	Wheel channel	Base de roue
TBE3057	1	Cylinder Arm	Bras du cylindre
TBE3058	1	Actuator Clevis (Long)	Support d'actuateur (Long)
TBE3059	1	Actuator Clevis (Short)	Support d'actuateur (Court)
TBE3060-3	1	Channel Handle Section	Manche Section poignée
TBE3061-3	1	Channel Fork Section	Manche section fourche
TBE3064A-3	1	Cover	Couvercle
TBE3067	1	Chisel Cushion	Coussin de ciseaux
TBE3069-2	1	Front Cover Support	Support de couverture avant
TBE3070-2	1	Power Supply Support	Support de alimentation
TBE3073	1	Actuator Rod End	Bloc de fixation du cylindre
TBE3076	1	Rubber Bushing 1-4 x 5-8 x 1	Bague de caoutchouc 1-4 x 5-8 x 1
TBE3077	1	Right Fork Sleeve	Pivot de fourche droit
TBE3078	1	Left Fork Sleeve	Pivot de fourche gauche
TBE3080	1	Angle Sticker	Étiquette angle
TBE3084	1	Chisel Protector	Protecteur de ciseaux
TBE3086	1	Ker for Cylinder Arm	Clé pour bras de cylindre
TBE3087	1	Orange Stem Guide	Tige "Guide" orange

TBE3090-3	1	Reinforcing U-Plate for Handle	Plaque de renfort de manche en "U"
TBE3096	4	Reinforcing Plate for Handle	Plaque de renforcement pour manche
TBE3111T	1	Top Filter	Filtre du dessus
TBE3114	2	Chisel Steel Wheel's Guide	Guide de roue en acier pour ciseaux
TBE3115	4	Spacer	Entretoise
TBE3116	4	Hinge and Lock	Penture et barrure
TBE3116B	2	Spacer for Hinge and Lock	Entretoise de penture et barrure
TBE3118-2	2	Lateral Reinforcement	Renfort latéral
TBE3125F	1	Filtre	Filtre
TBE3203	1	Left Fork	Fourche gauche
TBE3204	1	Right Fork	Fourche droit
TBE3212	1	Switch Support	Support de commutateur
TBE3214	1	Push Plate	Plaque de poussée
TBE3216	1	Push Plate Support	Support de plaque de poussée
TBE3217	1	Right Handle Bracket	Support de poignée droit
TBE3218	1	Left Handle Bracket	Support de poignée gauche
TBE3219	1	Foam Sleeve	Manchon
TBE3220	1	Handle Shaft	Manche de poignée
TBE400	4	BUTTite Rolled Spacers M6 x 6.20ID x 18 MM	Entretoises roulées BUTTite M6 x 6.20ID x 18 MM
TBE406E	1	Motor TB3 120V, 60HZ	Moteur TB3 120V, 60HZ

Contact information

USA office

1806 SW, 31st avenue
Pembroke Park
Florida, 33009
U.S.A.

Tel: 954-792-9808

Fax: 954-792-9806

eddyfloorscraper@bellsouth.net

Canada office

895 Theophile-St-Laurent
Nicolet
Quebec
Canada J3T 1B4

Tel: 819-293-8949

Fax: 819-293-6634

Eddy91@sogetel.net

www.eddyfloor.com

Purchase record / Record d'achat / Registro de la compra

Date purchased: - -
Date d'achat: M M D D Y Y Y Y
Fecha de compra:

Dealer's name: _____
Nom du détaillant:
Nombre del distribuidor

Dealer's address: _____
Adresse du détaillant:
Dirección del distribuidor _____

Model #: _____
de modèle:
de modelo

Serial #: _____
de série:
de serie: