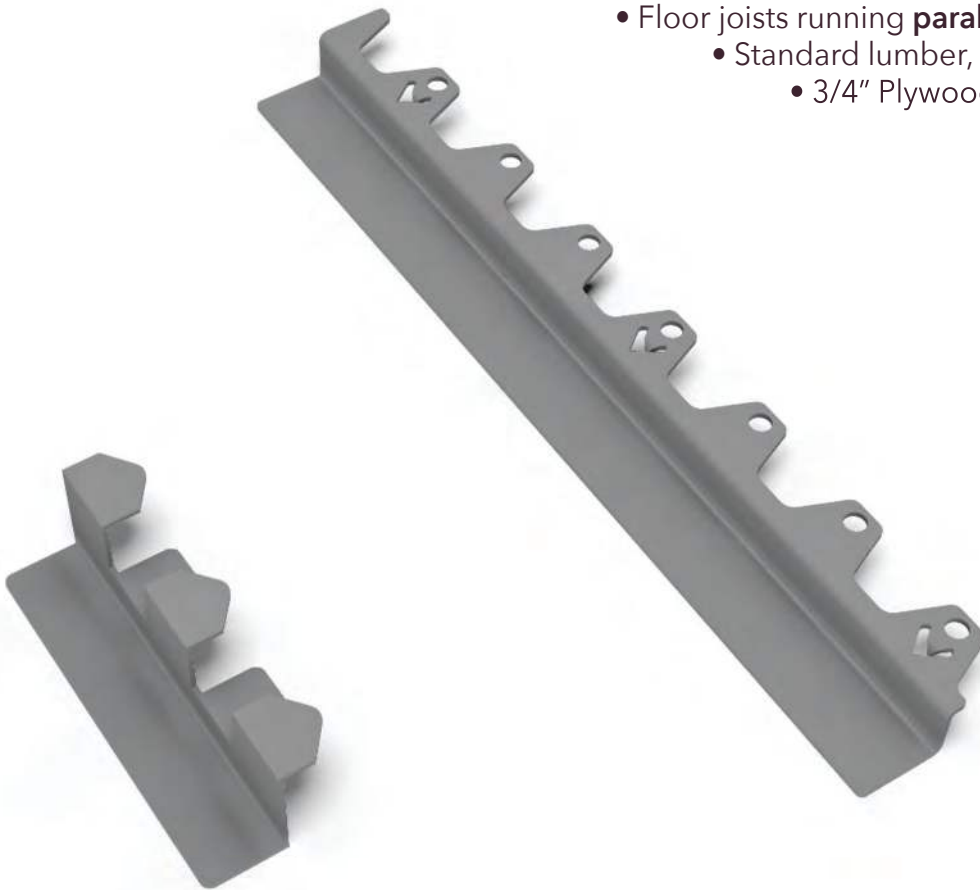


RAPID RECESS

Lowering Plywood floors for Curbless Showers

For Parallel joist installations

- Floor joists running **parallel** to the **shower entry**
- Standard lumber, I joists or trusses
- 3/4" Plywood sub-floor

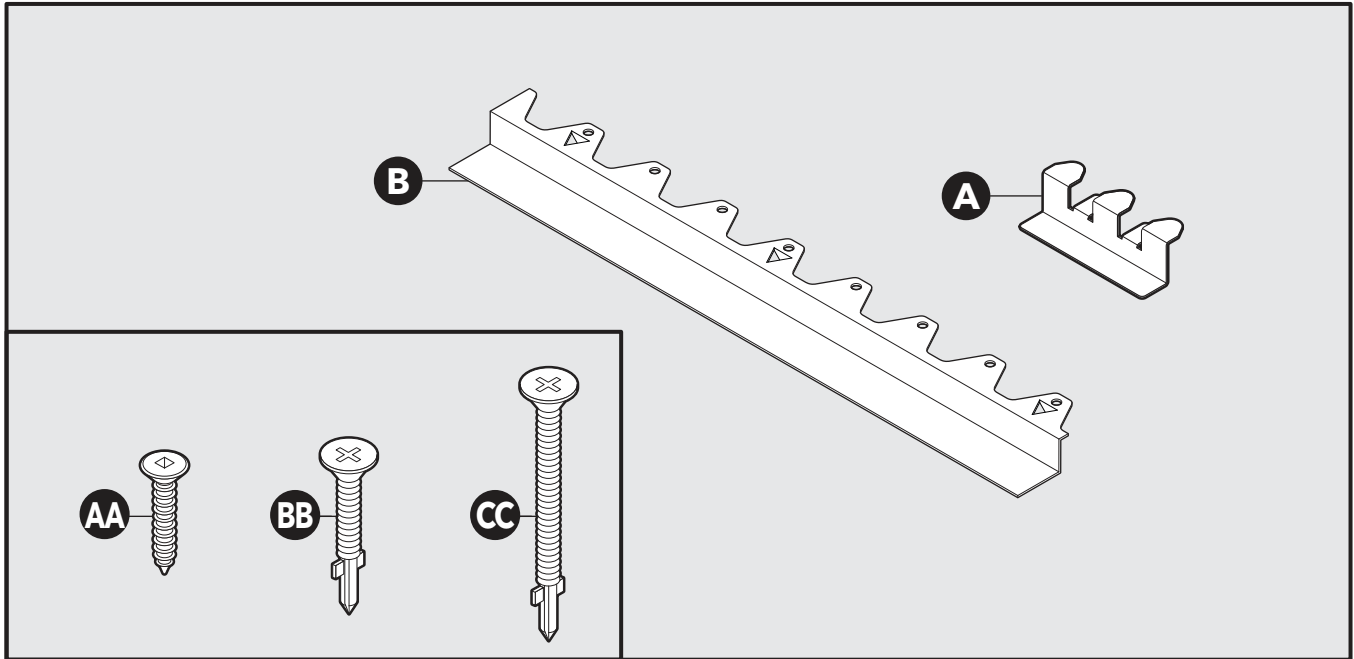


Installation Instructions

Rapid Recess
P.O.Box 2107, Silverthorne, CO 80498
rapidrecess.com



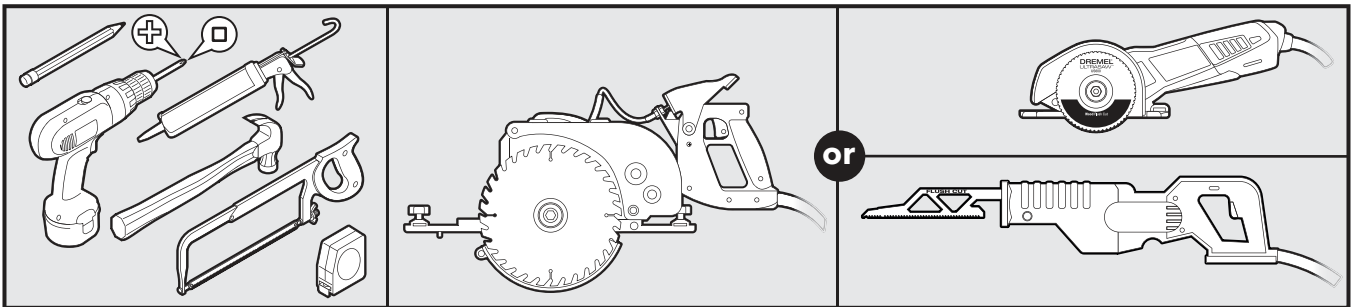
Parts Included



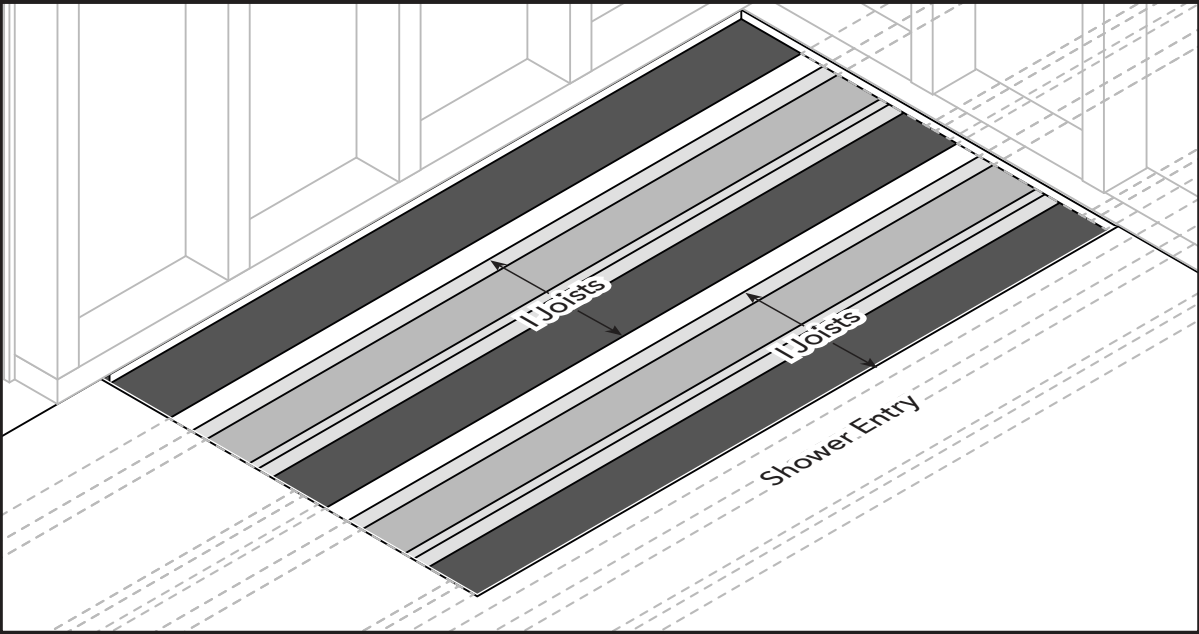
- A.** Z-Bracket (5" long)
- B.** T-Bracket (12" long)

- AA.** #10 x 1 1/4" Flat-head square drive wood screw
- BB.** #10 x 1 5/8" wood to metal self-drilling Phillips screws with wings
- CC.** #10 x 2 3/4" wood to metal self-drilling Phillips screws with wings

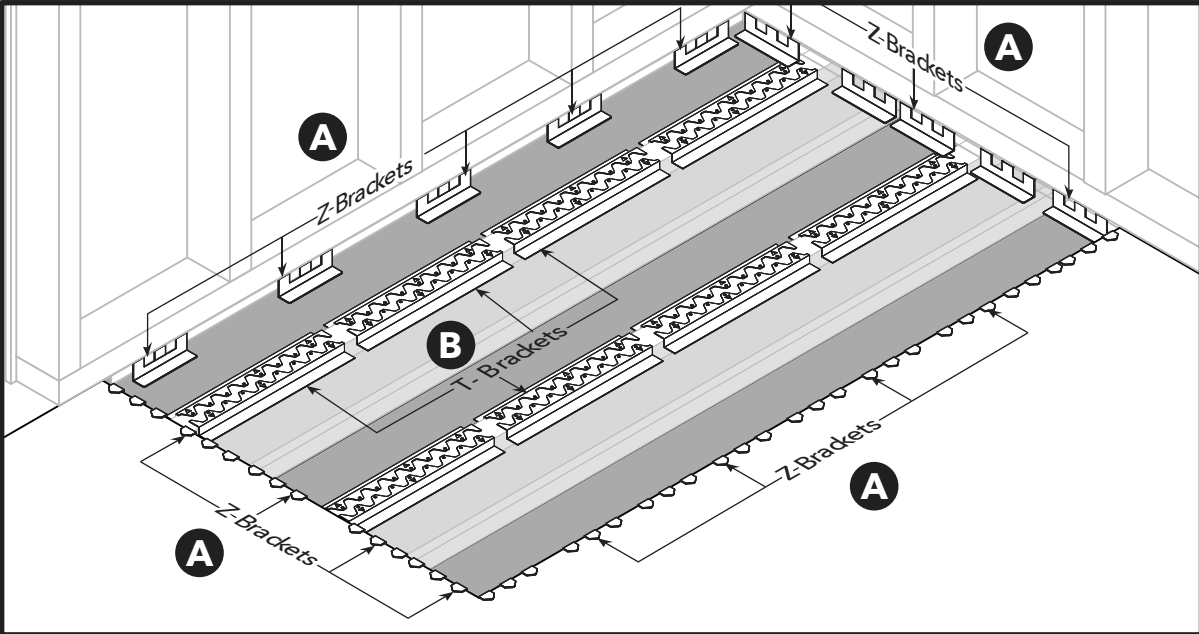
Tools Needed



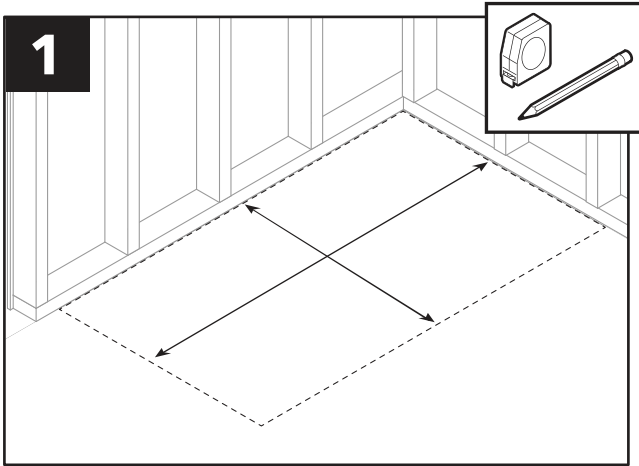
Bracket Placement Overview



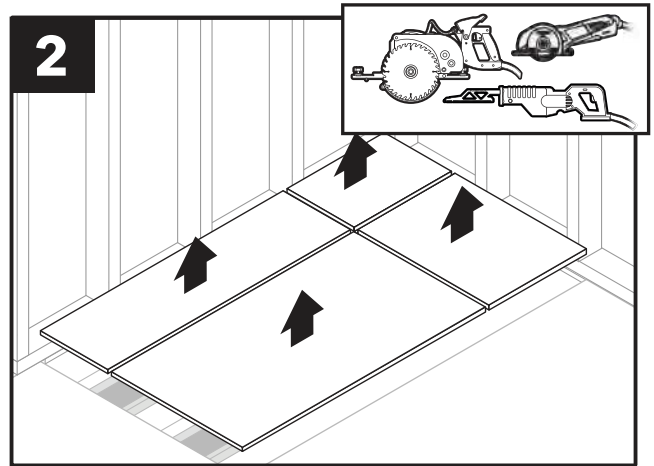
When joists are parallel to the shower entry, the transition to the recessed floor needs to be placed on the front (the edge of a joist adjacent to the recessed part) edge of floor joist regardless of placement. Sometimes the recess needs to be extended past the intended shower pan. The space will be treated the same as any recessed one but filled back in with 5/8" thick plywood up to the intended shower pan.



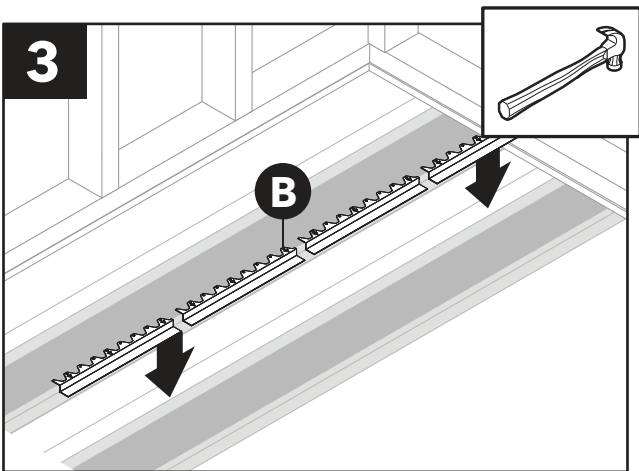
Site Preparation



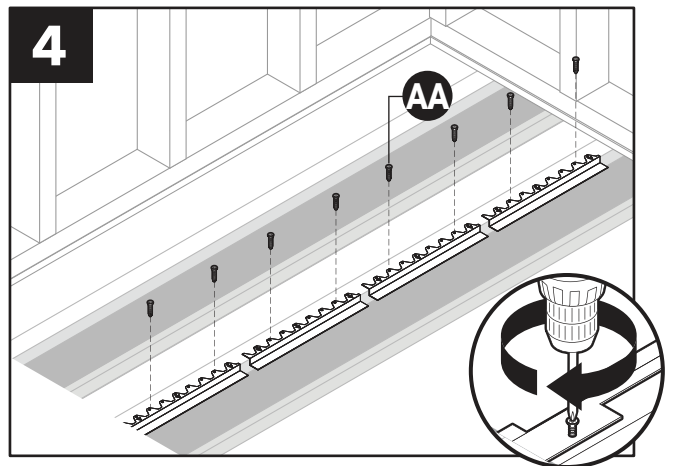
1 Measure and mark subfloor to be removed.



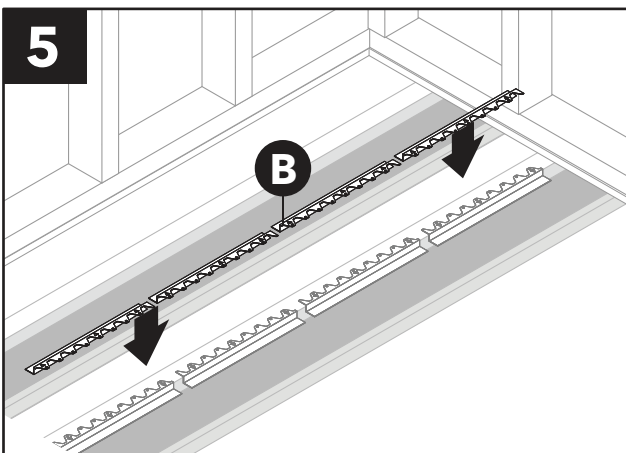
2 Use a recommended saw to flush the cut marked portions of subfloor and remove.



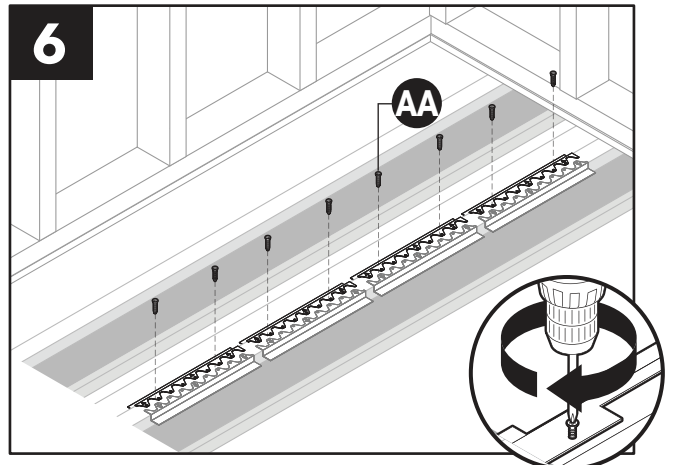
3 Remove any adhesive left over from the original plywood. Place T-bracket (B) on one side of the floor joist (bracket should be flush against the top and side of the joist). Tap with a hammer over the nail tabs to secure in place.



4 Secure T-bracket to the floor joist with AA. # 10 x 1 1/4" Flat-head square drive wood screw

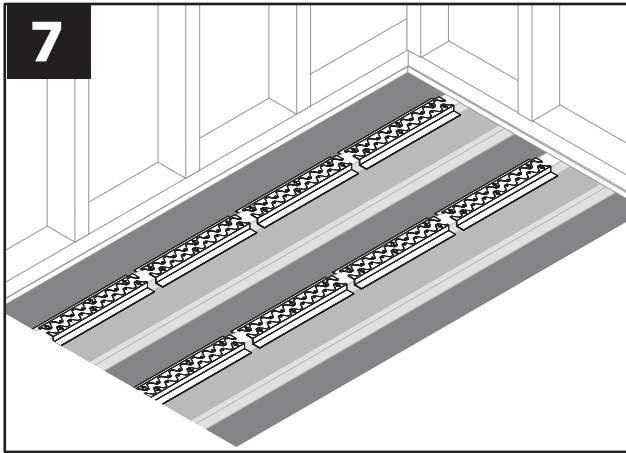


5 Place T-bracket (B) on the opposite side of floor joist (bracket should be flush against top and side of joist). Cut T-bracket (B) to size if needed.

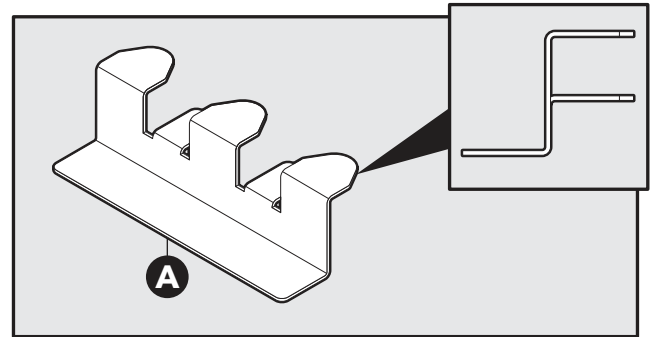


6 Secure the T-bracket to the top of the floor joist with AA. # 10 x 1 1/4" flat-head square drive wood screw.

Bracket Installation

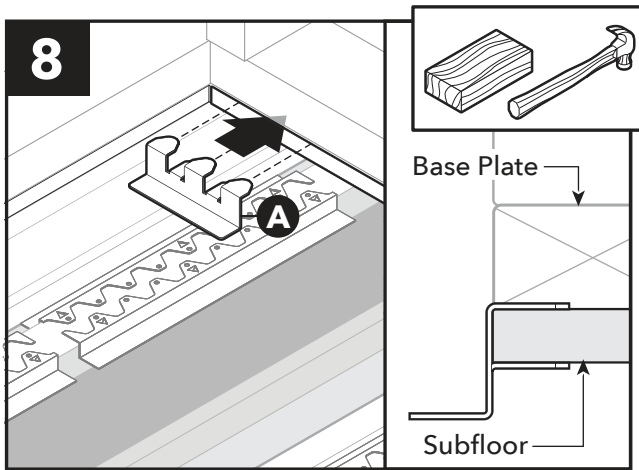


Repeat steps 1-6 for remaining floor joists and T-brackets (B).

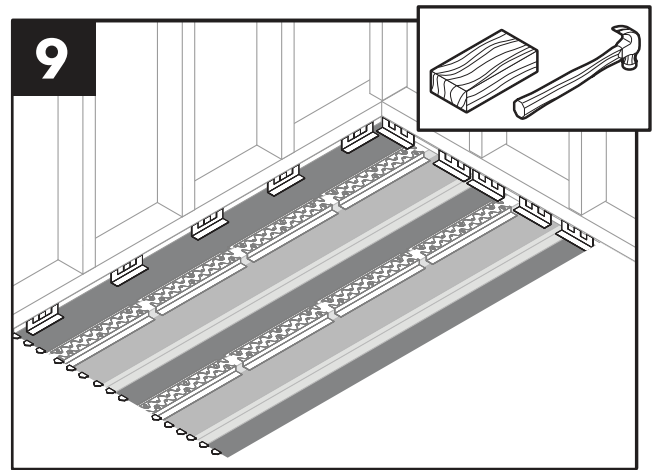


Z brackets (A) upper tabs will be installed under the base plate where there is a wall at the shower pan and on top of the plywood at recess transition.

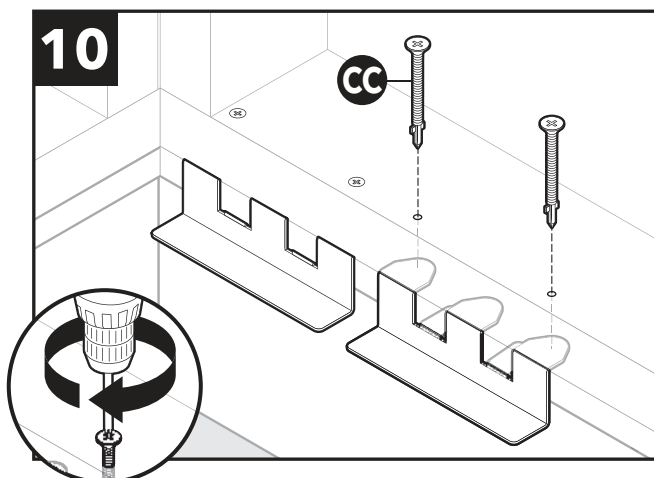
Note: Use one bracket per joist bay opening and two brackets per foot or per joist opening at the entry.



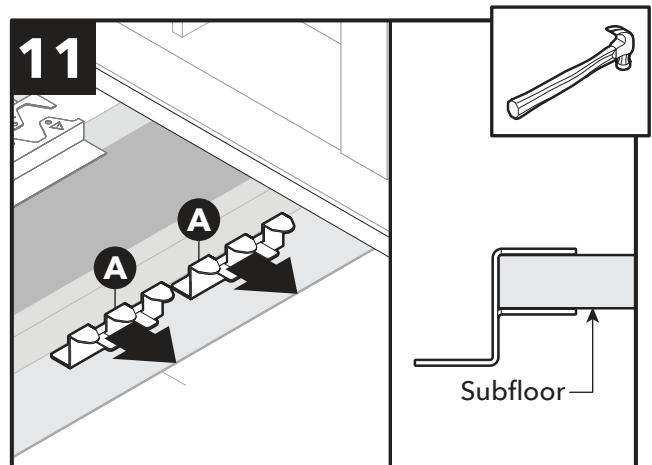
Place a Z-bracket (A) along side wall with tabs above and the below subfloor. Use a scrap 2 x 4 during installation to keep from damaging bracket.



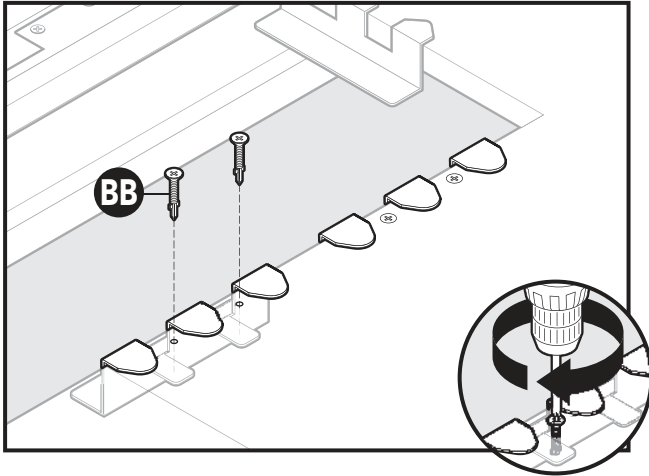
Continue placing Z-brackets along the side and rear walls (one bracket per linear foot and one bracket per opening between floor joists). Use a scrap 2 x 4 during installation to keep from damaging bracket.



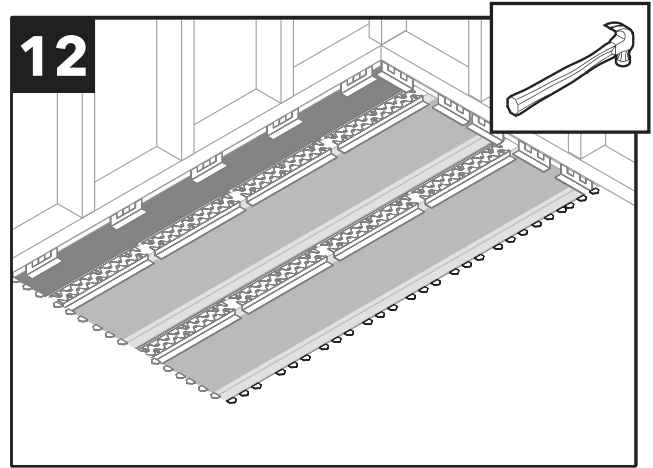
With Z-brackets (A) mounted in a level position, install CC. #10 2 3/4" wood to metal self-drilling screws with wings through the base plate and into both outer tabs of Z-brackets.



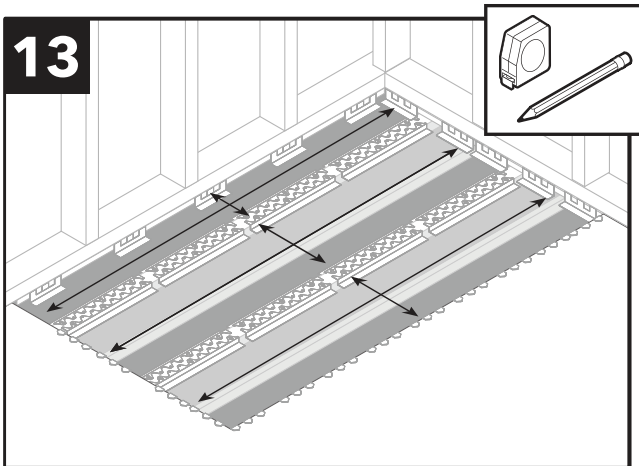
Place Z-brackets (A) into position (two per linear foot) on top of the subfloor at the threshold (or at the side of shower where there is no framed wall) with tabs above and below subfloor.



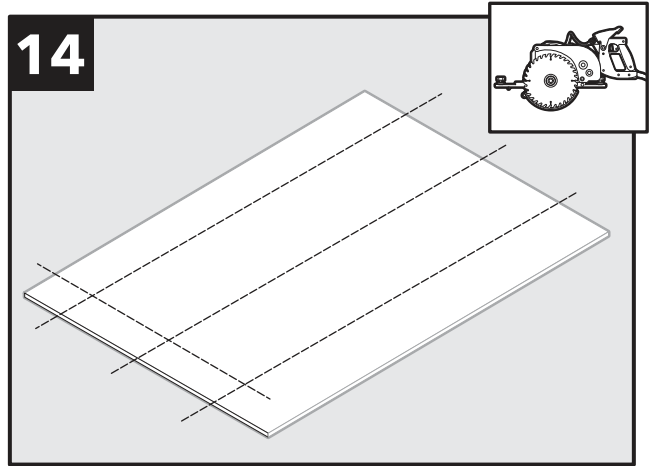
OPTIONAL: Secure Z-bracket by installing BB. #10 1 5/8" wood to metal self-drilling screws with wings through the subfloor and into the Z-bracket lower tabs.



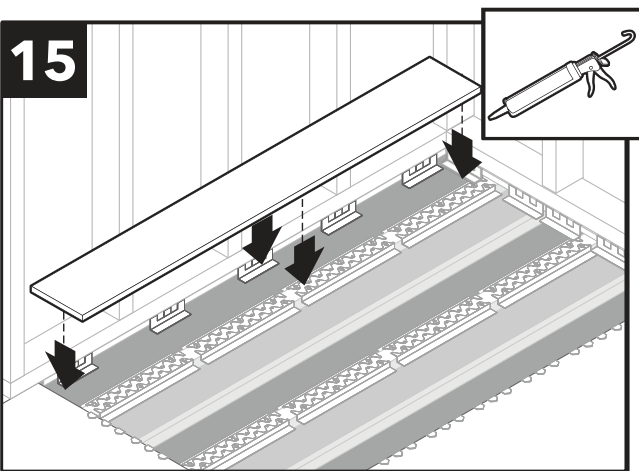
Continue placing Z-brackets into position on top of subfloor and at the threshold (or at the side of shower where there is no framed wall).



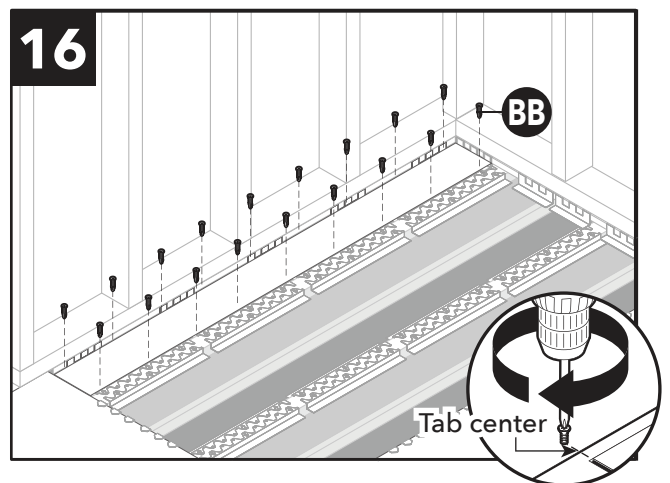
Measure the distance between main brackets on the floor joists and Z-brackets for length and width of the plywood strips to be cut.



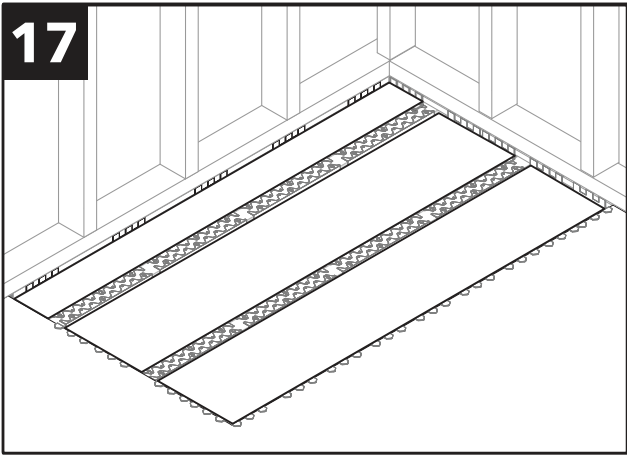
Using measurements from the previous step, cut the plywood strips 1/8" shorter and narrower to fit loosely into the opening.



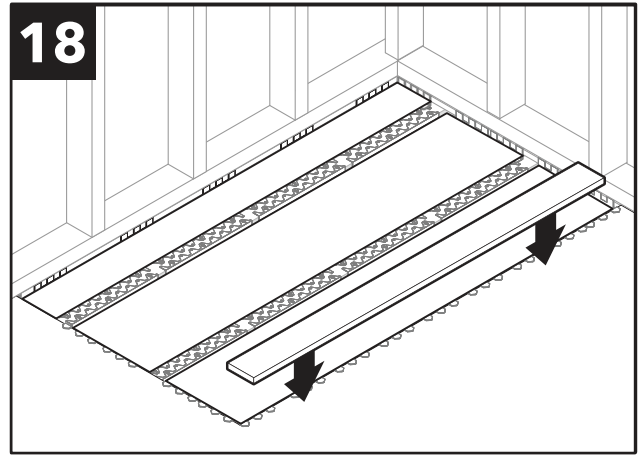
Use construction adhesive for plywood and brackets. Place the plywood strip into position on brackets.



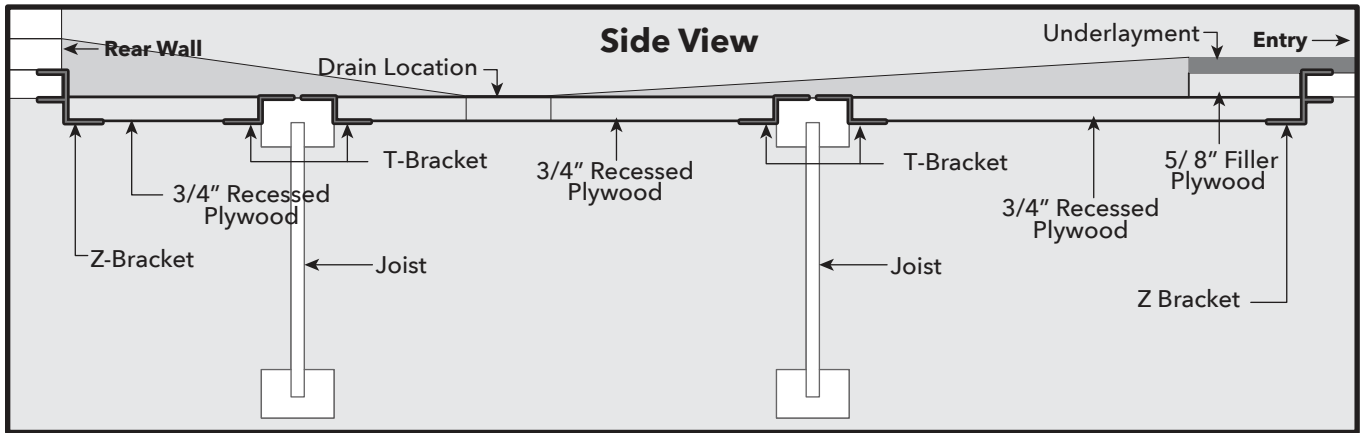
Secure the plywood strip to Z-brackets and T-brackets with BB. #10 1 5/8" wood to metal self-drilling screws with wings - 2 screws per T-bracket and 1 screw per Z-Bracket.



Repeat steps 15-16 for remaining plywood strips.



Place a 5/ 8" plywood filler at entry to match the size of the shower pan.



Overview of bracket and recess plywood placement (side view).

