

0.72w IP65 12v DC RGB Signage Modules



PRODUCT SPECIFICATIONS

Watts Per Metre: 0.72w per module

Input Voltage: 12v DC

Colour Temp: RGB (Red, Green, Blue)

CRI: >80

Beam Angle: 120°

IP Rating: IP65

Size: 84mm (l) x 16mm (w) x 6mm (h)

Dimmable: Yes

LED Chip Type: 5050

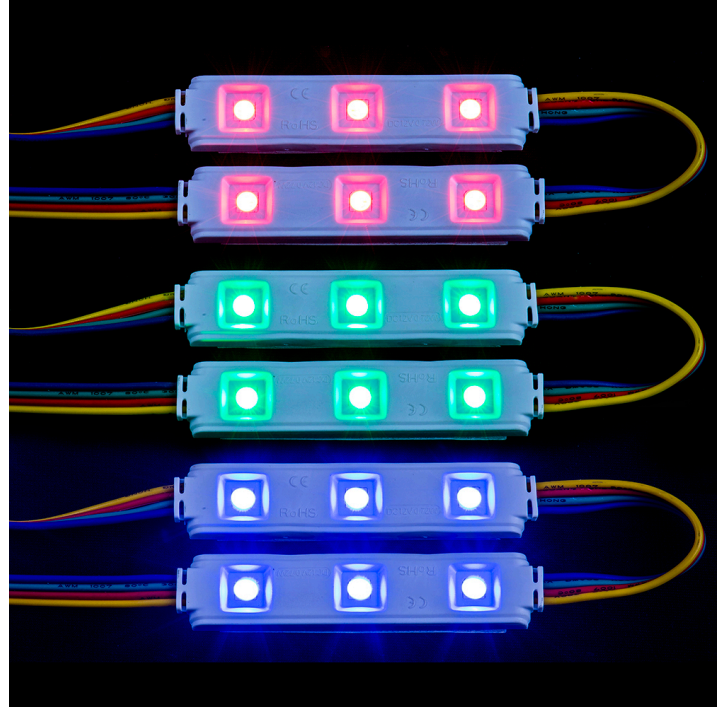
LED Chips Per Module: 3 LED'S

Lumens Per Module: 160lm (white)

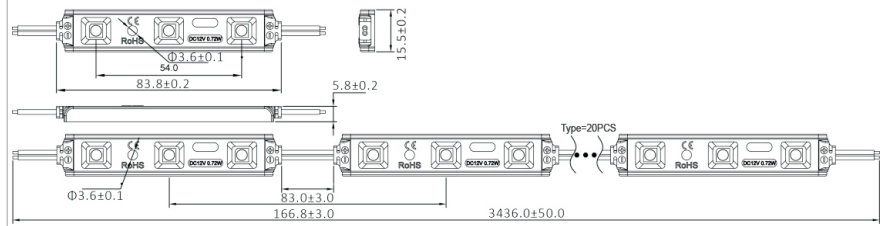
Maximum Length: 20x Modules

Wiring: Parallel

Warranty: 2 Years Replacement**



DIMENSIONS



IP RATING

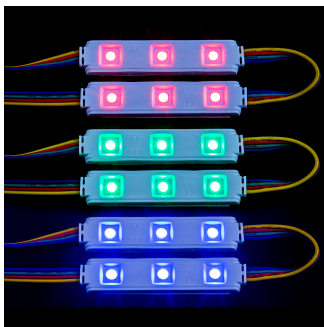


APPROVALS



Product Ordering

IMAGE

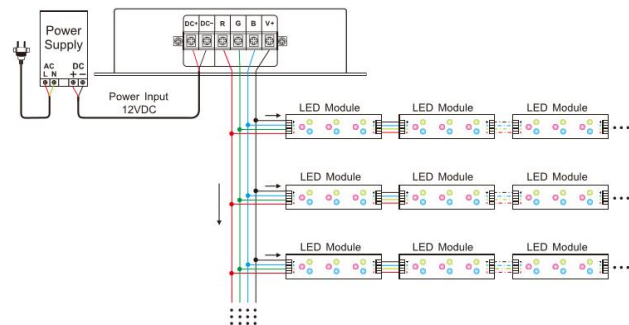


PART NUMBER

**HV9794-IP65-10-RGB
(10x Modules)**

**HV9794-IP65-20-RGB
(20x Modules)**

SAMPLE INSTALLATION DIAGRAM



Must be used with a suitable 12v DC LED Driver + RGB Controller

* Lumens measured @ source

**See Warranty Terms and Conditions for more information

For more information contact Havit Lighting

ADDRESS:
143 Beauchamp Road
Matraville NSW 2036
Australia

Tel: 02 9381 8300
Fax: 02 9666 8881
Email: sales@havit.com.au
web: www.havit.com.au