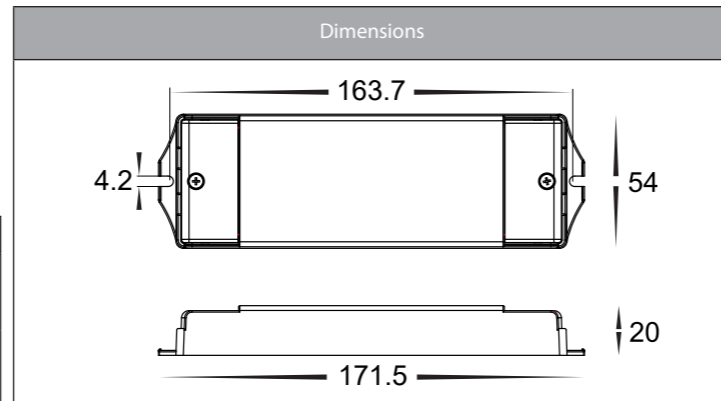
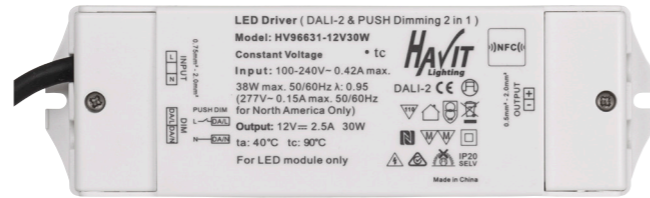


# 30w Dali + Push Dim Constant Voltage IP20 LED Driver

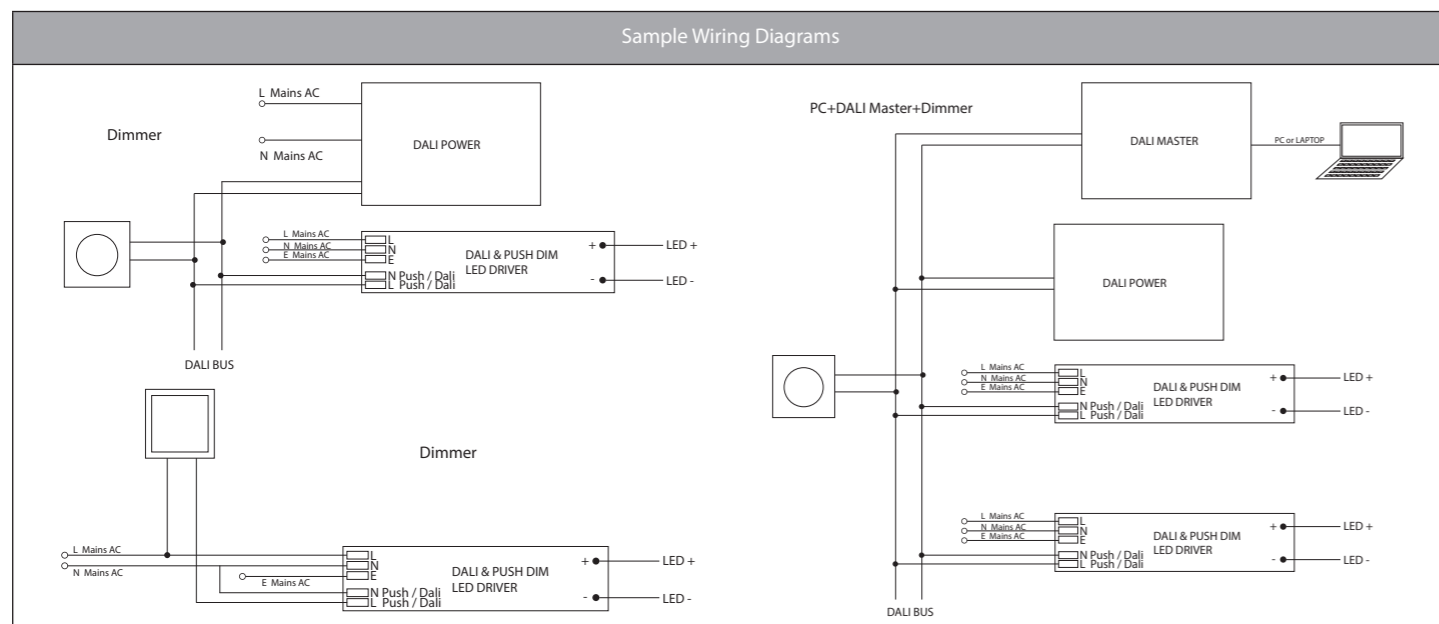
## Product Specifications

Material	Plastic
Colour	White
IP Rating	IP20
Input Voltage	100 - 240v AC
Output Voltage	Available in either 12v DC or 24v DC
Max Wattage	30w
Recommended Max Wattage	24w
Protection Class	Class 2 (No Earth Required)
Dimming Methods	Dali or Push Dim
Dimming Range	5% - 100%
Protections	Short Circuit, Overload, Over Temperature.
Warranty	3 Years Replacement*



## Product Ordering

Part Number	Output Voltage	Barcode
<b>HV96631-12V30W</b>	12v DC Constant Voltage	9350418027559
<b>HV96631-24V30W</b>	24v DC Constant Voltage	9350418027610



\*Items ordered after 01-01-2022



Part Number	HV96631-12V30W	HV96631-24V30W	
<b>Output</b>	DC Voltage	12v DC (12-13.5V Adjust by NFC)	24v DC (24-26V Adjust by NFC)
	Voltage Tolerance	± 0.2V	
	Rated Current	2.5A	1.25A
	Rated Power	30W	
	Load Regulation	± 1%	
	<b>Input</b>	Standby Power Consumption	≤ 0.5W
Voltage Range		100 277V AC	
Frequency Range		47 - 63Hz	
Power Factor (TYP.) @ Full Load		PF≥0.98 @ 120V AC   PF≥0.95 @ 230V AC   PF≥ 0.90 @ 277V AC (Full Loading)	
THD(Typ.) @ Full Load		≤15% @ 120V AC   ≤ 15% @ 230V AC   ≤15% @ 277V AC	
Efficiency(Typ.)@ Full Load		81% @ 120V AC   83% @ 230V AC   80% @ 277V AC	
AC Current (Max)		0.4A	0.4A
Inrush Current (TYP)		60A, 9us@50% Ipeak (120V AC)	
		70A, 188us@50% Ipeak (230V AC)	
		180A, 4.4us@50% Ipeak (277V AC)	
Leakage Current		.05mA	
<b>Protections</b>	Short Circuit	Hiccup mode, Recover automatically after fault condition is removed	
	Overload	≤120%, Hiccup mode, Recover automatically after fault condition is removed	
	Over Temperature	Ambient Temperature Over 55°C ± 10°C, Output will turn off and recovers automatically after temperature drops.	
<b>Environment</b>	Working Temp.	-40°-+60°C	
	Working Humidity	20-90%RH, Non Condensing	
	Storage TEMP. Humidity	-40 - +80°C, 10 - 95% RH	
	TEMP. Coefficient	≤0.03%/°c (0-50°C)	
	Vibration	10-500hZ, 2g 10min./1 Cycle, Period for 60min, each along X,Y,Z axes	
<b>Safety &amp; EMC</b>	Safety Standards	EN61347-1	
	Isolation Resistance	I/P-O/P I/P-FG O/P-FG:100MΩ/500VDC/25°C/70%RH	
	EMC Emission	EN55015   EN61000-3-2 EN61000-3-3 (EU)≥50% Load & FCC Part 15 B (US)	
	EMC Immunity	EN61000-4-2,3,4,5,6,11   EN61547	
<b>Others</b>	Weight	0.25Kg	