

# Single Colour LED Strip Touch Panel



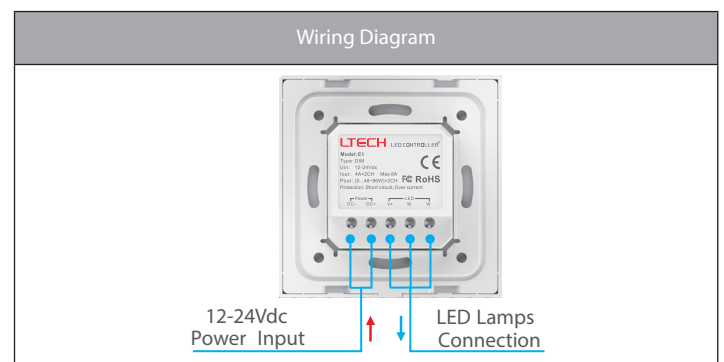
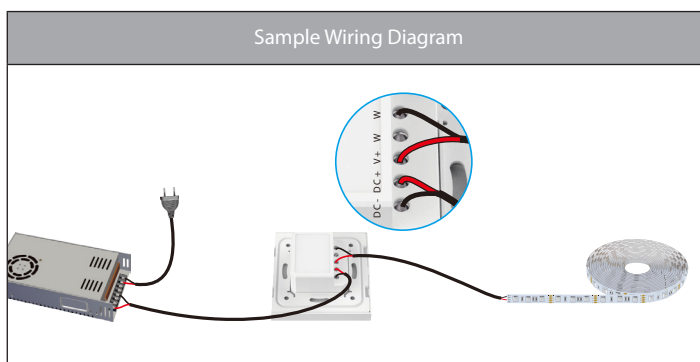
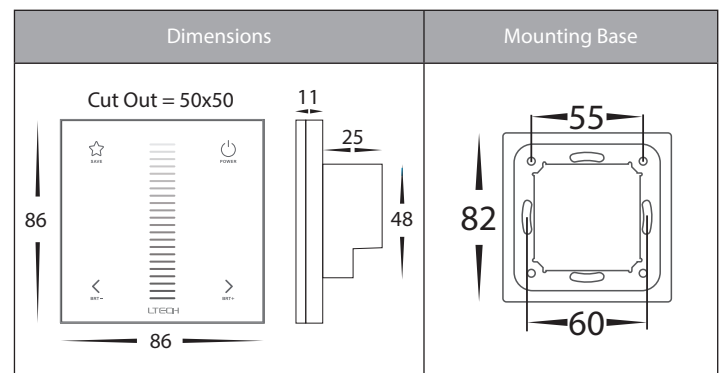
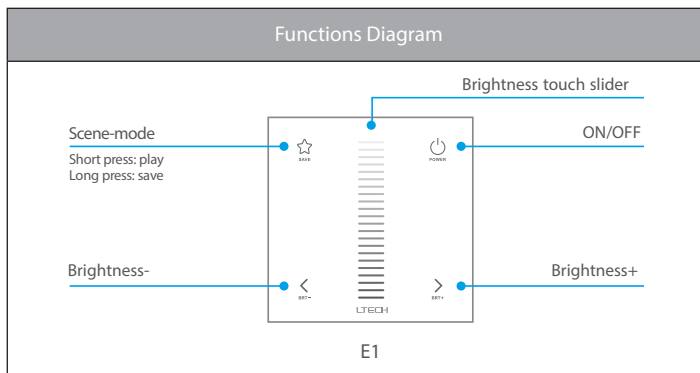
## Product Specifications

Material	Plastic + Glass
Colour	White
IP Rating	IP20
IK Rating	IK07
Installation Type	Wall - Recessed
LED Strip Type	Single Colour
No. of Zones	1
Protection Class	3 (No Earth Required)
Input Voltage	12v DC   24v DC
Dimmable	Yes - 5% to 100%
Working Temp	-20° - 55° C
Warranty	3 Years Replacement*



## Optional Havit Compatible Accessories

Image	Part Number	Description
	12v & 24v DC LED Drivers	See Catalogue or Website for full range of 12v & 24v DC LED Drivers



## Product Ordering

Part Number	LED Strip Type	Input Voltage	Max Load	IP Rating	Approval	Barcode
<b>HV9101-E1</b>	Single Colour	12v DC or 24v DC	12v DC - 96w 24v DC - 188w	IP20		9350418026064

\*Items ordered after 01-01-2022