

Reces 316 Stainless Steel or Aluminium Recessed Wall or Step Lights



Product Specifications

Name	Reces
Material	316 Stainless Steel or Aluminium
Colour	Stainless Steel, Poly Powder Coated Black or White
Cut Out	With Canister = Ø76mm
	Without Canister = Ø60mm
IP Rating	IP67
IK Rating	IK10
Installation Type	Wall - Recessed
Cable Length	300mm
Lamp Base	Built in LED
Max Wattage	3w
Protection Class	3 (No Earth Required)
Lamp Expectancy	<30,000hrs
CRI	CRI>80
Dimmable	No
Warranty	3 Years Replacement*



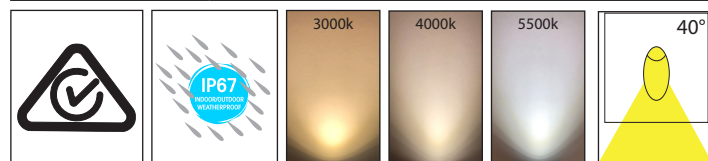
316 Stainless Steel



Aluminium Black

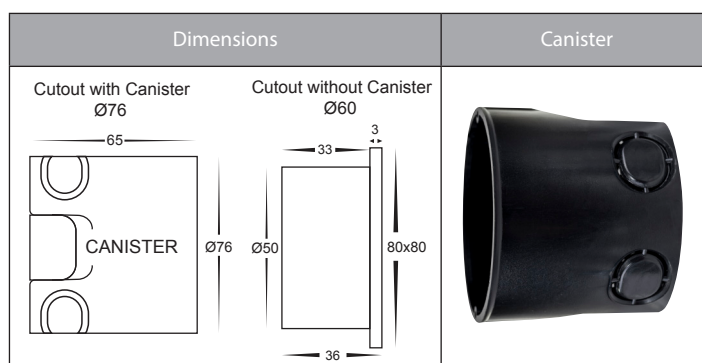


Aluminium White



Optional Havit Compatible Accessories

Image	Part Number	Description
	HV9971	Stainless Steel Maintenance Kit - Kit includes rejuvenating paste + Spray for final protection coating
	12v DC LED Drivers	See Catalogue or Website for full range of 12v DC LED Drivers
	HV9911	Small IP67 Weatherproof Connector
	HV9912	Medium IP67 Weatherproof Connector
	HV9913	Large IP67 Weatherproof Connector



Product Ordering

Image	Part Number	Colour Temp	Lumens	Input Voltage	Beam Angle	Included LED	Barcode
	HV3215W-SS316	3000k	180lm	12v DC	40°	3w Built in LED	9350418003409
	HV3215N-SS316	4000k	185lm	12v DC	40°	3w Built in LED	9350418018359
	HV3215C-SS316	5500k	190lm	12v DC	40°	3w Built in LED	9350418003393
	HV3215W-BLK	3000k	180lm	12v DC	40°	3w Built in LED	9350418009319
	HV3215N-BLK	4000k	185lm	12v DC	40°	3w Built in LED	9350418018243
	HV3215C-BLK	5500k	190lm	12v DC	40°	3w Built in LED	9350418009302
	HV3215W-WHT	3000k	180lm	12v DC	40°	3w Built in LED	9350418003447
	HV3215N-WHT	4000k	185lm	12v DC	40°	3w Built in LED	9350418018250
	HV3215C-WHT	5500k	190lm	12v DC	40°	3w Built in LED	9350418003430

*Items ordered after 01-01-2022