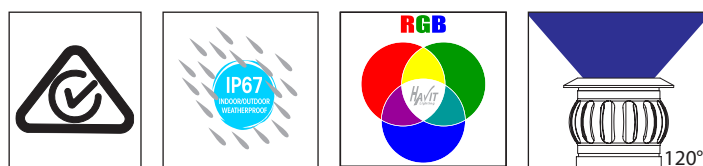


Flame 316 Stainless Steel Deck Lights



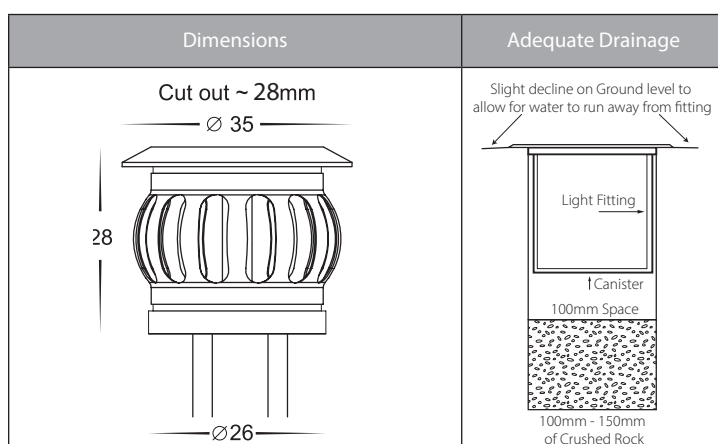
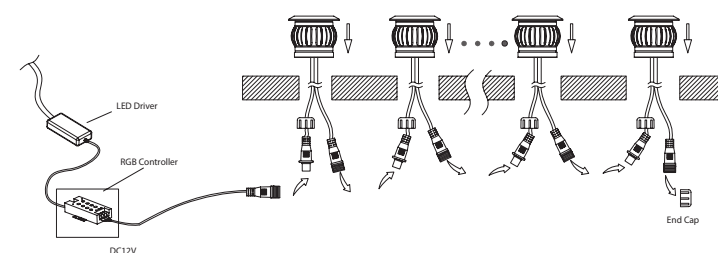
Product Specifications

| | |
|-------------------|------------------------------------|
| Name | Flame |
| Material | 316 Stainless Steel |
| Colour | Stainless Steel |
| Cut Out | 28mm |
| IP Rating | IP67 |
| Installation Type | Ground - Recessed |
| Lamp Base | Built in LED |
| Max Wattage | 0.5w |
| Protection Class | LED Driver = 2 (No Earth Required) |
| | Fitting = 3 (No Earth Required) |
| Lamp Expectancy | <30,000hrs |
| Diffuser Type | Opal Glass |
| Cable Length | 2x 1500mm |
| CRI | CRI>80 |
| Dimmable | Yes using RGB Controller |
| IK Rating | IK05 |
| Warranty | 3 Years Replacement* |



Optional Havit Compatible Accessories

| Image | Part Number | Description |
|-------|--------------------|--|
| | HV2826RGB-2M-EXT | 2m extension cable to extend length between fittings |
| | HV2826RGB-4M-EXT | 4m extension cable to extend length between fittings |
| | HV2826-D-12W | 12w LED Driver to suit |
| | HV9971 | Stainless Steel Maintenance Kit - Kit includes rejuvenating paste + Spray for final protection coating |
| | HV9721 | Remote and Receiver to suit |
| | 12v DC LED Drivers | See Catalogue or Website for full range of 12v DC LED Drivers |



Product Ordering

| Image | Part Number | Colour Temp | Lumens | Input Voltage | Beam Angle | Included LED | Barcode |
|-------|-------------------|-------------|---------|-----------------------------------|------------|----------------------|---------------|
| | HV28261RGB | RGB | 25lm | 12v DC | 120° | 0.5w Built in LED | 9350418003751 |
| | HV2826RGB | RGB | 6x 25lm | Fitting - 12v DC Driver - 240v AC | 120° | 6x 0.5w Built in LED | 9350418003720 |

*Items ordered after 01-01-2022