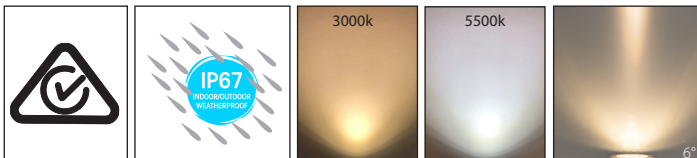


Split 316 Stainless Steel Round Inground Lights



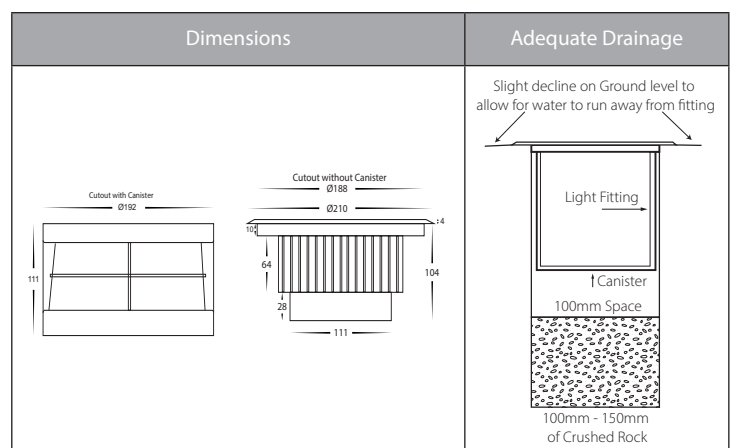
Product Specifications

Name	Split
Material	316 Stainless Steel + Aluminium
Colour	Stainless Steel Cover + Black Body
IP Rating	IP67
IK Rating	IK10
Installation Type	Inground
Trafficable	1000kg
Cable Length	300mm
Lamp Base	Built in LED
Max Wattage	24w
Protection Class	3 (No Earth Required)
Lamp Expectancy	<30,000hrs
Diffuser Type	Clear Glass
CRI	CRI>80
Dimmable	No
Warranty	3 Years Replacement*



Optional Havit Compatible Accessories

Image	Part Number	Description
	HV9971	Stainless Steel Maintenance Kit - Kit includes rejuvenating paste + Spray for final protection coating
	12v DC LED Drivers	See Catalogue or Website for full range of 12v DC LED Drivers
	HV1847-F-SH	Security Face



Product Ordering

Part Number	Colour Temp	Lumens	Input Voltage	Beam Angle	Included LED	Barcode
HV1847W	3000k	1600lm	12v DC	6°	24w Built in LED	9350418010148
HV1847C	5500k	1900lm	12v DC	6°	24w Built in LED	9350418010155

*Items ordered after 01-01-2022