

Kap & Stahl 316 Stainless Steel Garden Spot Lights



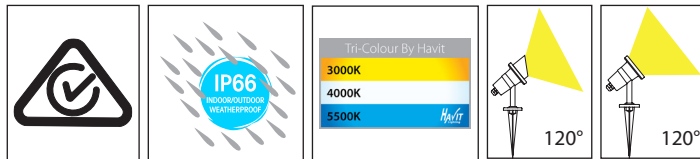
Product Specifications

Name	Kap or Stahl
Material	316 Stainless Steel
Colour	Stainless Steel
IP Rating	IP66
Installation Type	Ground - Spike or Surface Mounted
Lamp Base	MR16
Max Wattage	20w MR16
Protection Class	3 (No Earth Required)
Lamp Expectancy	<30,000hrs
Diffuser Type	Clear Glass
Cable Length	1000mm
CRI	CRI>80
Dimmable	Yes - Triac Dimming
IK Rating	IK08
Warranty	3 Years Replacement*



Kap
HV1431T

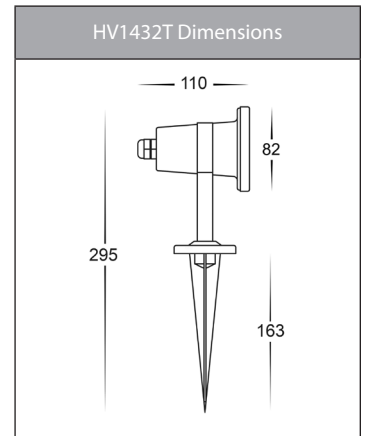
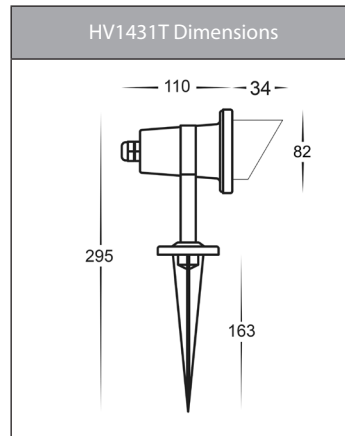
Stahl
HV1432T



Can be Surface Mounted
or used with Spike

Optional Havit Compatible Accessories

Image	Part Number	Colour Temp	Input Voltage	Beam Angle	Included LED
	HV9507	3000k 4000k 5500k	12v DC	60°	TRI Colour 3/5/7w MR16 LED
	HV9508	3000k 4000k 5500k	24v DC	60°	TRI Colour 3/5/7w MR16 LED
	12v DC LED Drivers	See Catalogue or Website for full range of 12v DC LED Drivers			
	HV9911	Small IP67 Weatherproof Connector			
	HV9912	Medium IP67 Weatherproof Connector			
	HV9913	Large IP67 Weatherproof Connector			



Product Ordering

Image	Part Number	Colour Temp	Lumens	Input Voltage	Beam Angle	Included LED	Barcode
	HV1431T	3000k 4000k 5500k	270lm 285lm 300lm	12v DC	120°	TRI Colour 5w MR16 LED	9350418015860
	HV1432T	3000k 4000k 5500k	270lm 285lm 300lm	12v DC	120°	TRI Colour 5w MR16 LED	9350418015877

*Items ordered after 01-01-2022

