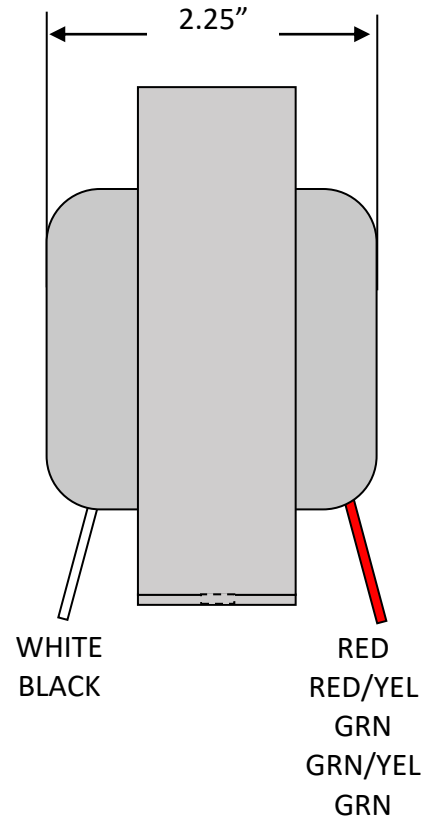
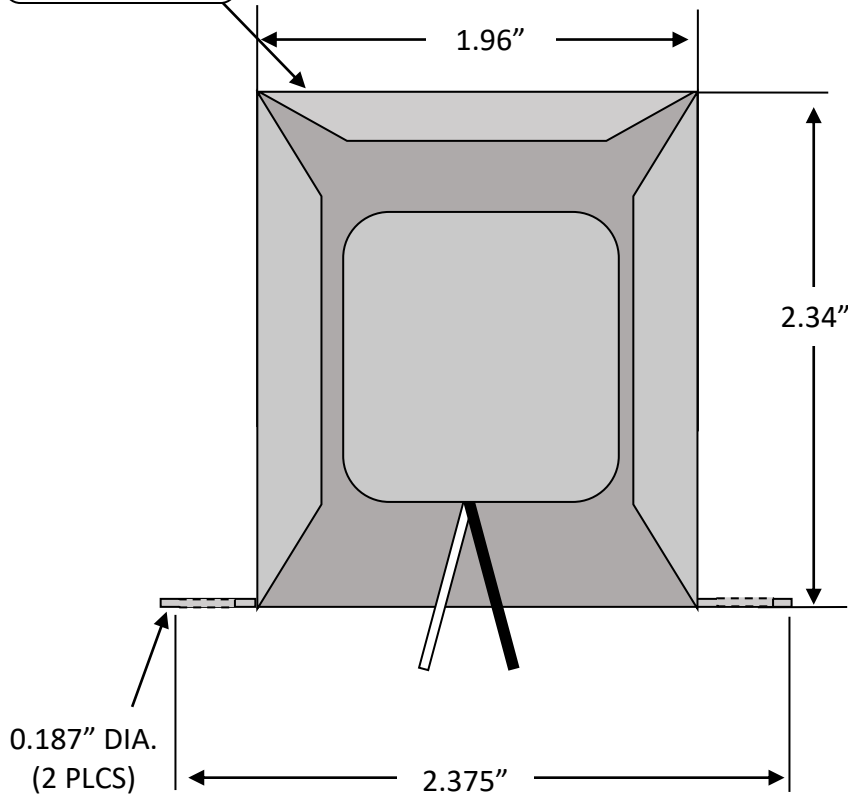
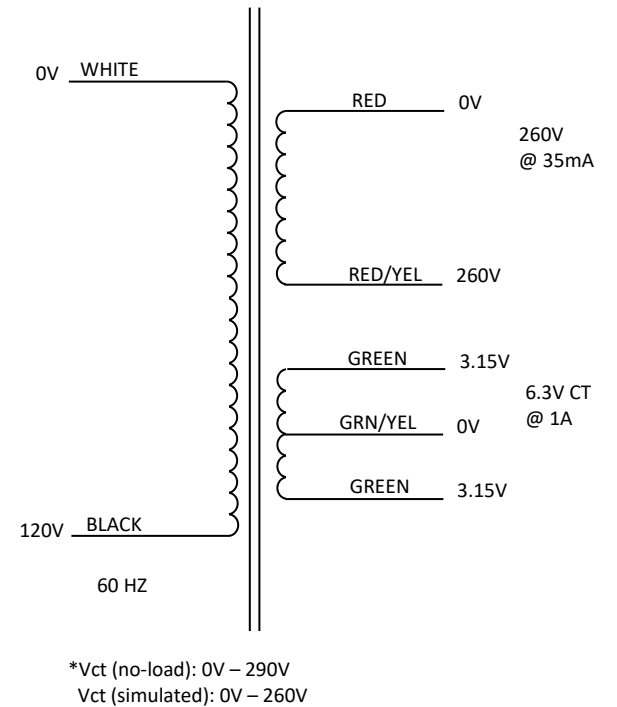


PROPRIETARY INFORMATION: This document is confidential and contains proprietary information of Pacific Audio Magnetics, a division of Pacific Transformer Corp. It may not be used or disclosed by the recipient without the prior written consent of PTC. By Receipt hereof, in addition to any obligations the recipient has under any confidentiality agreement, contract or license with PTC, neither the recipient nor its agents, representatives or employees will copy, reproduce or distribute this information, in whole or in part, at any time, without the prior written consent of PTC and that it will keep confidential all information contained herein.

PAM-PT-10-16R
MFR Date Code: WWYY
 PACIFIC AUDIO MAGNETICS
(800) 325-0501



SCHEMATIC



REFERENCE:
125P24A
012671
68319A

UNLESS OTHERWISE SPECIFIED		SIGNATURES		DATE	Pacific Audio Magnetics A division of Pacific Transformer Corp										
ALL DIMENSIONS IN INCHES DRAWING NOT TO SCALE		DRAWN BY	<i>Christian R.</i>	9/15/2021	TITLE	FENDER 6G15 BROWNFACE REVERB UNIT POWER TRANSFORMER									
.X	± 0.063"								APPROVED BY	<i>Sean M.</i>	9/15/2021	CAGE	66827	PART NUMBER	REV
.XX	± 0.031"													PAM-PT-10-16R	-
.XXX	± 0.015"	Uncontrolled When Printed	Page 1 of 1												
					SCALE	NONE									