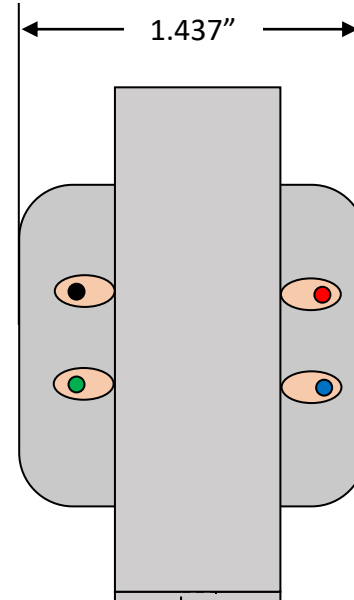
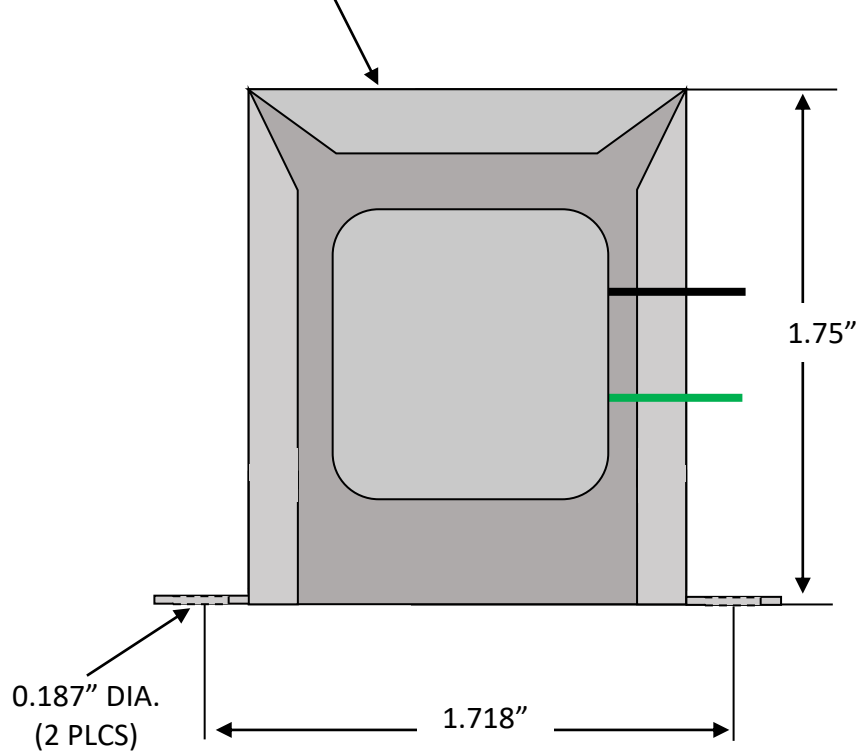
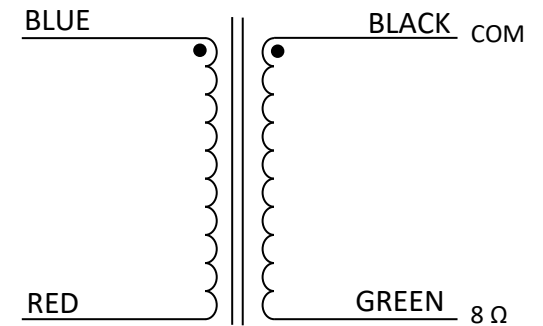


**PACIFIC AUDIO MAGNETICS**  
**PAM-D-3.5-13R**  
 DC: WWYY



### SCHEMATIC



**PRIMARY: 25K Ω**  
**SECONDARY: 8 Ω**  
**POWER: 3.5W**

**REFERENCE:**  
 022921  
 037099  
 125A20B

UNLESS OTHERWISE SPECIFIED		SIGNATURES		DATE	Pacific Audio Magnetics A division of Pacific Transformer Corp						
ALL DIMENSIONS IN INCHES DRAWING NOT TO SCALE		DRAW N BY	<i>Christian R.</i>	3/29/2021	TITLE	<b>FENDER REVERB DRIVER, 3.5 WATTS</b>					
.X	± 0.063"				APPROVED BY	<i>David Z.</i>	3/29/2021	CAGE	66827	PART NUMBER	REV
.XX	± 0.031"							SCALE	NONE	PAM-D-3.5-13R	-
.XXX	± 0.015"					Uncontrolled When Printed		Page 1 of 1			