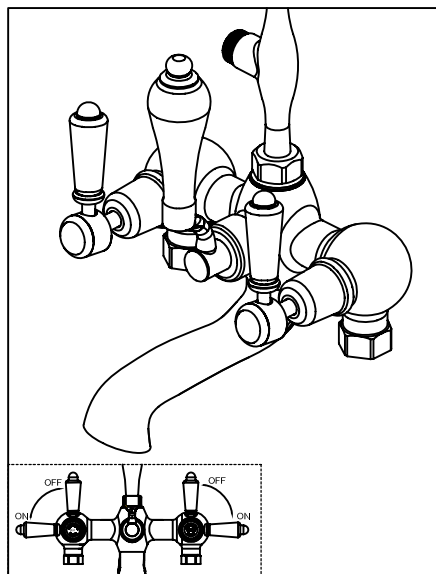
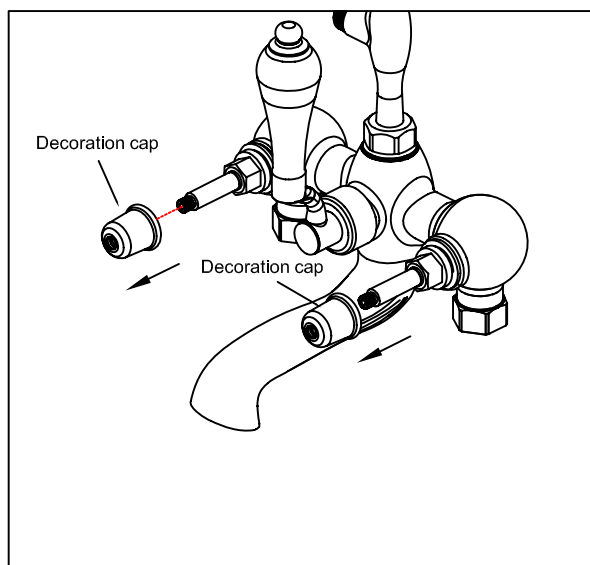


Factory re-setting handle position

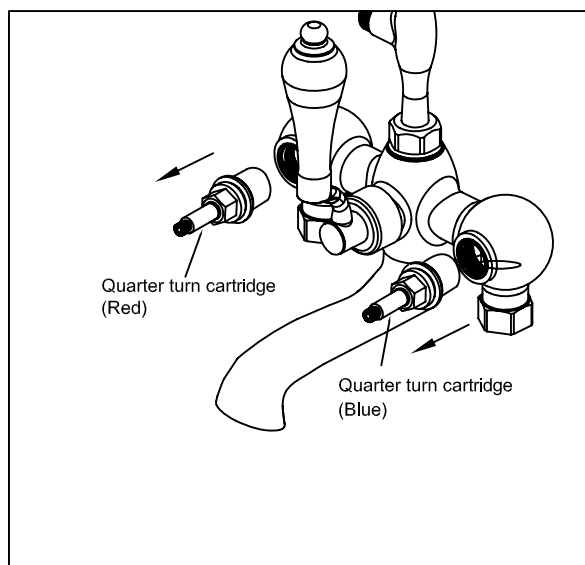


Recommended lever position

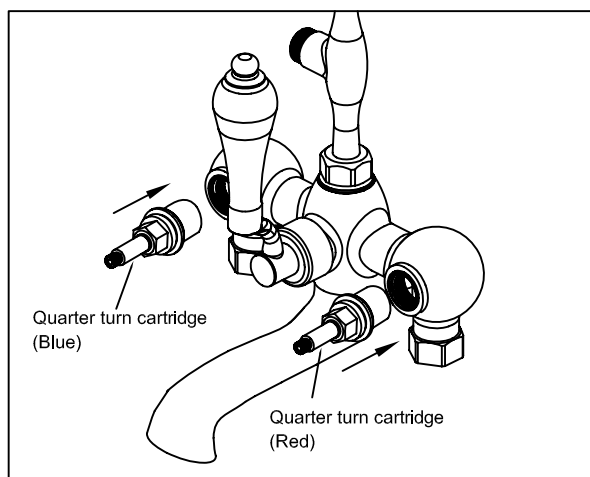
Cartridge Change Instruction:



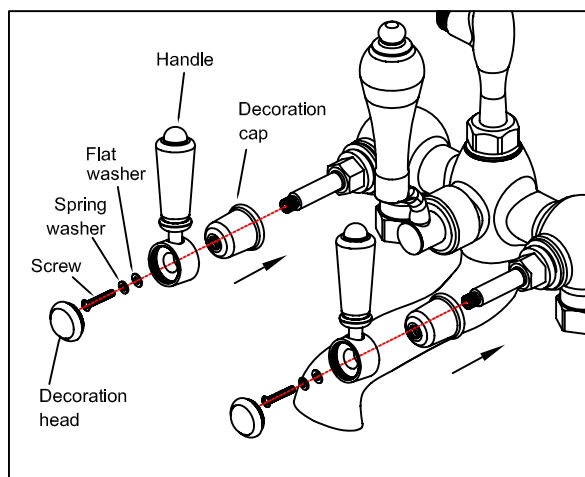
1: Prepare tools (cross screwdriver, monkey spanner...) Unscrew the decoration cap.



2: Screw out the cartridge by Monkey spanner.



3: Reversed the quarter turn cartridges (red and blue) and screw in as the above diagram.



4: Screw in the decoration cap. Replace the lever in turn. The lever position is upwards.