

## Bathroom Taps



EX



### Description

Thermostatic shower column with built-in wax thermoelement with savetouch technology, square shower head, telescopic slide rail with slider bracket and additional "JOY" hand shower. With connections of 1/2" and with a distance of 150±20mm between them. It includes non-return valve and safety stop at 38°C. The flow rate at 3 bar of the hand shower is 8,29l/min and of the shower head 8,45 l/min.

### Finish



chrome  
100220133

### Other Finishes

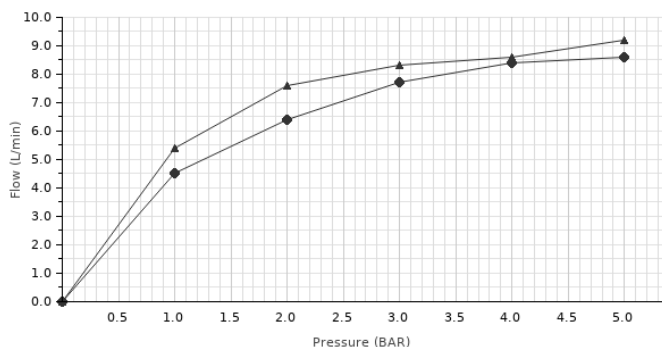


black  
100272113

### Flow rate diagramme

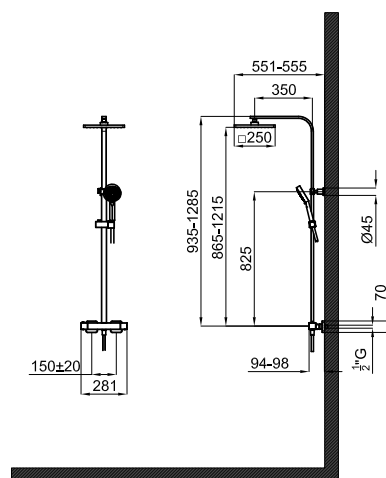
Pressure (bar)	0	1	2	3	4	5
Flow - handshower (l/min) (±15%)	0	4.5	6.4	7.7	8.4	8.6
Flow - fixer shower (l/min) (±15%)	0	5.4	7.6	8.3	8.6	9.2

◆ handshower (l/min) ▲ fixer shower (l/min)



### Technical drawing

Dimensions in mm



**noken**  
PORCELANOSA BATHROOMS

Warranty: For a warranty or other information on this product, visit our Web address: [www.noken.com](http://www.noken.com)

Legal disclaimer: All details provided by the NOKEN's Product has an information purpose without any contractual value. In order to obtain further information about the materials and their installation please visit our showrooms. NOKEN reserves the right to modify or delete any information on this site. The images and colours shown in this site may differ from the real ones.

© 2022 noken | Edition: 27/04/2022 INT Ref.174434