



Description

Wall handshower holder with outlet elbow and 3 ways diverter 1/2". Flow rate 15 l/min. at 3 bar for shower, 25 l/min. at 3 bar for bath and 17 l/min. at 3 bar for shower head.

Finish

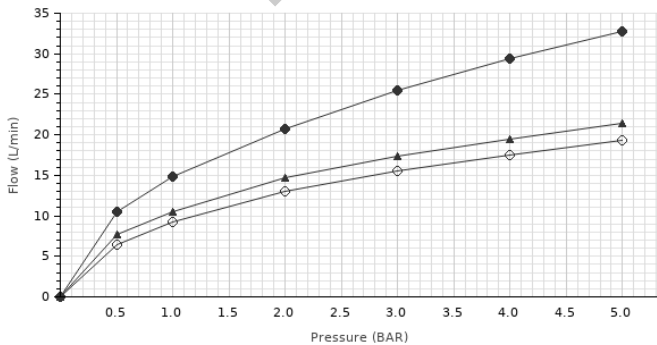


chrome
100063477

Flow rate diagramme

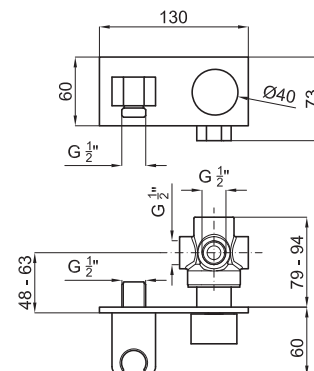
Pressure (bar)	0	0.5	1	2	3	4	5
Flow - Outlet elbow (l/min) (±15%)	0	10.44	14.79	20.76	25.41	29.35	32.71
Flow - Diverter (l/min) (±15%)	0	7.73	10.45	14.67	17.4	19.49	21.47
Flow - Mixer (l/min) (±15%)	0	6.49	9.21	12.98	15.59	17.46	19.27

◆ Outlet elbow (l/min) ▲ Diverter (l/min) ◇ Mixer (l/min)



Technical drawing

Dimensions in mm



Noken does not guarantee the supply of discontinued items