

## Basic set 52 l/min for shut-off valve for concealed installation spindle

Finish: Article Number: **15973180**



### Description

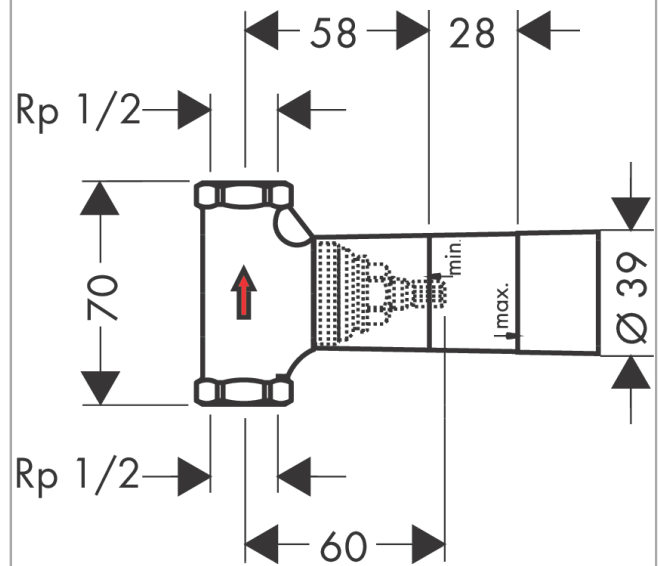
#### product features

- connection type: DN15
- suitable for all shut-off valves finish sets
- maximum flow rate at 3 bar: 52 l/min
- connection dimension: DN15

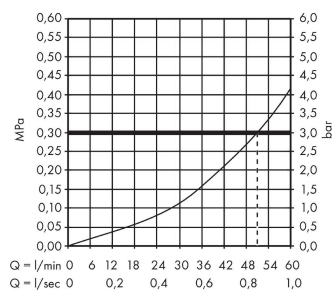
### Product image



### Scale drawing



### Flowchart



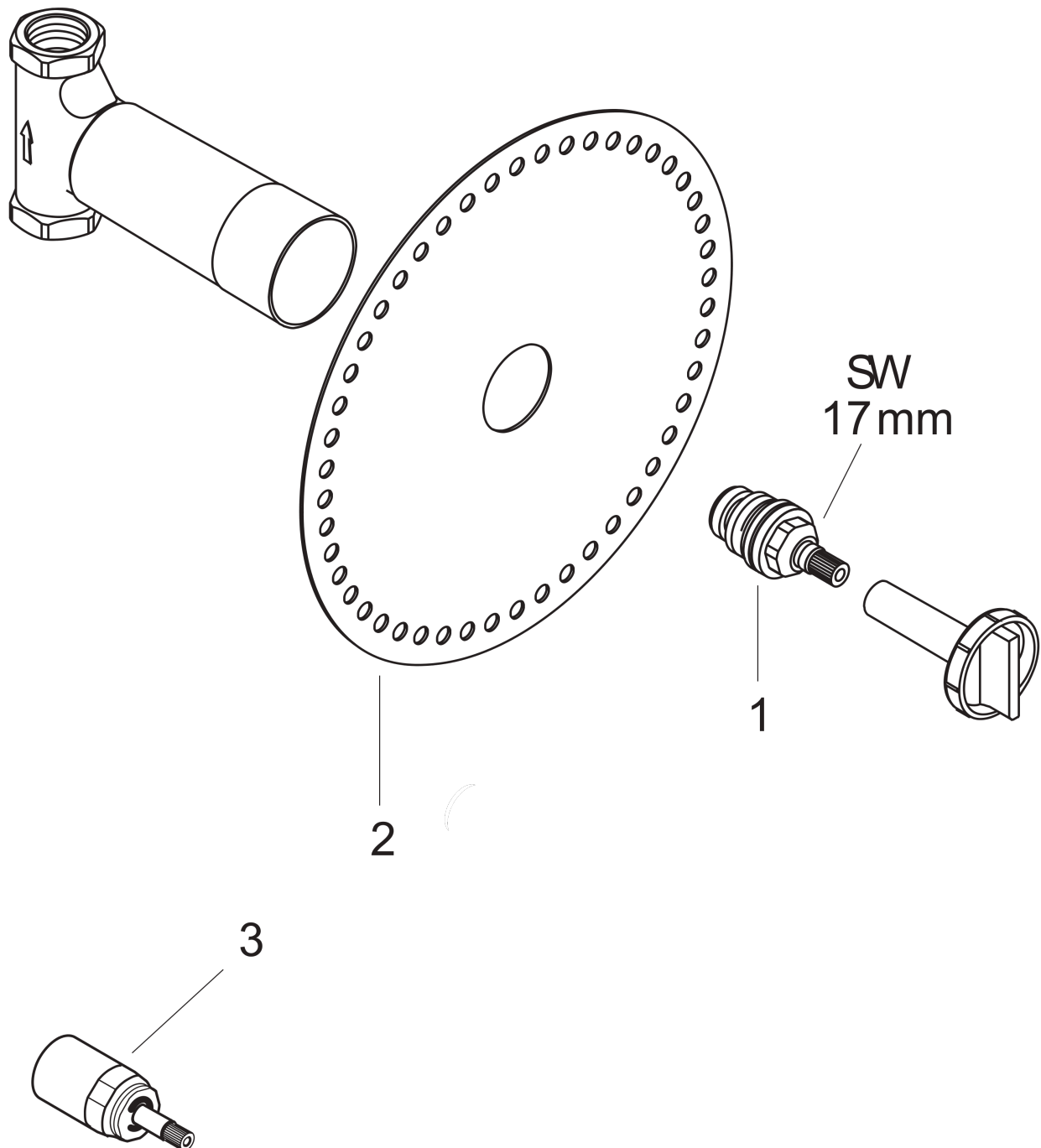
**Basic set 52 l/min for shut-off valve for concealed installation spindle**

Finish: Article Number: **15973180**



**Exploded Drawing**

Year of production: >05/01



**Basic set 52 l/min for shut-off valve for concealed installation spindle**

Finish: Article Number: **15973180**



**Spare part list**

Year of production: >05/01

<b>Pos.</b>	<b>Description</b>	<b>Article Number</b>	<b>PC</b>	<b>PU</b>
1	shut off unit with spindle 1/2"	94142000	8	1
2	sealing foil	96492000	3	1
3	extension 25 mm	96370000	99	1