



100259572\_N194710606



100259573\_N194710607

**noken**  
PORCELANOSA BATHROOMS

Carretera CV-20 km.2 · 12540 Vila-real · Castellón · Spain  
Tel: +34 964 50 64 50 - Fax: +34 964 50 67 93  
e-mail: [noken@noken.com](mailto:noken@noken.com) · [www.noken.com](http://www.noken.com)

**HOTELS**



### **Before installation and setting to work.**

**Attention!** The feeding pipes have to be rinsed carefully before the installation of the device so that there won't remain shavings, sealing or hemp residues, or other impurities inside the pipes. Through pipes not thoroughly rinsed or through the general water network, in the device foreign bodies can enter that could damage gaskets /o-ring.

So filters should be installed also on the general system.

We recommend the installation of pressure reducing valves for pressures superior than those indicated in the technical data table.

-Respecting this indications, will maintain the warranty rights, ensures the declared properties of the products and warrant the complete reliability.

The installation must comply with all Local/National Water Supply Authority Regulations/Byelaws and Building and Plumbing (UK:BS6700) Regulations.

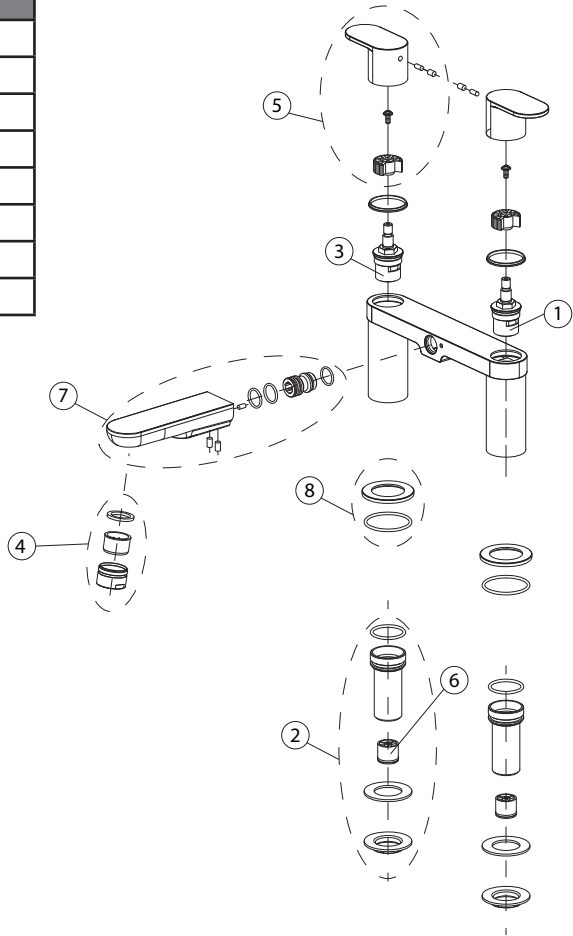
- 
- Please read these instructions carefully before starting installation and retain it for future reference. Please leave this instructions with the end user.
  - Remove all packaging and check the product for missing parts and damages before starting the installation.
  - Any alterations made to this product and its fittings may infringe the water regulations and will invalidate the guarantee.
  - We strongly recommend the use of a qualified and registered plumber.
  - In new buildings it is recommended to water fill the traps to ensure toxic gases do not corrode the surface of the taps. It is recommended that the room is well ventilated.
  - Thoroughly flush through all pipe work prior to the installation of terminal appliances, e.g. Shower heads, taps, inlet valves, etc.
  - Periodic cleaning and maintenance should be use to avoid the build up of damaging limestone deposits.
  - Bathroom beauty products such as liquid soap, shampoo or shower gels may damage some materials.

Where connections are made to the mains cold water supply, WRC approved single check valves must be fitted to both hot and cold inlets. This is a stated requirement of Water Supply (Water Fittings) Regulations 1999 Schedule 2, Section 6 G15.13.2



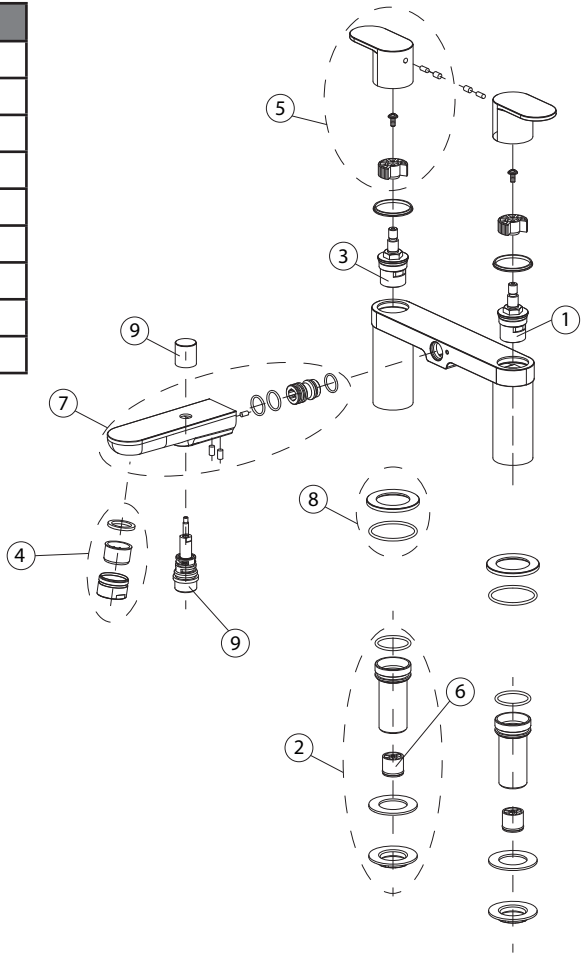


100259572_N194710606	
1	100270326_N299998320
2	100270327_N299998318
3	100270337_N194710609
4	100270347_N194710612
5	100270356_N194710611
6	100270357_N299998319
7	100270366_N299998315
8	100270380_N299998316



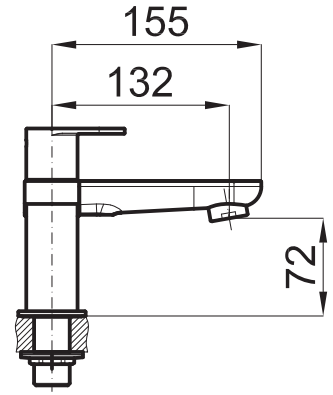
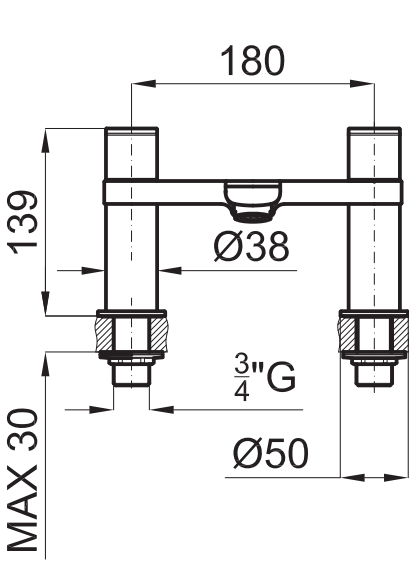


100259573_N194710607	
1	100270326_N299998320
2	100270327_N299998318
3	100270337_N194710609
4	100270347_N194710612
5	100270356_N194710611
6	100270357_N299998319
7	100270366_N299998315
8	100270380_N299998316
9	100270400_N299998317

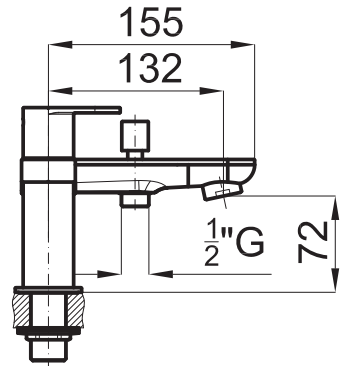
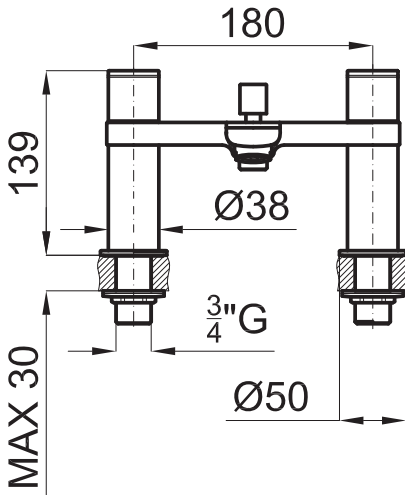


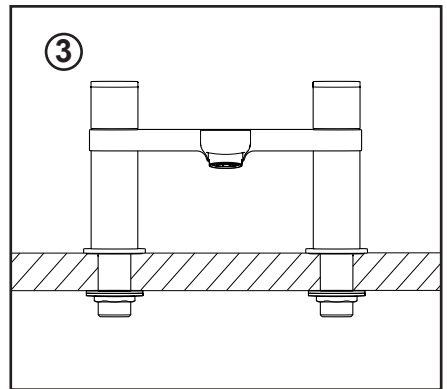
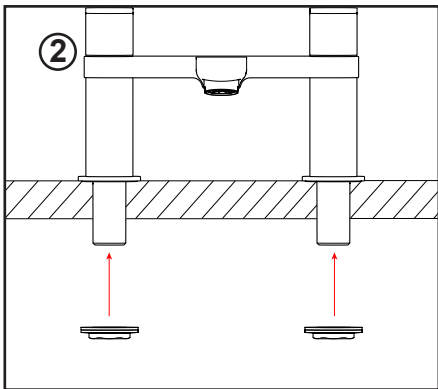
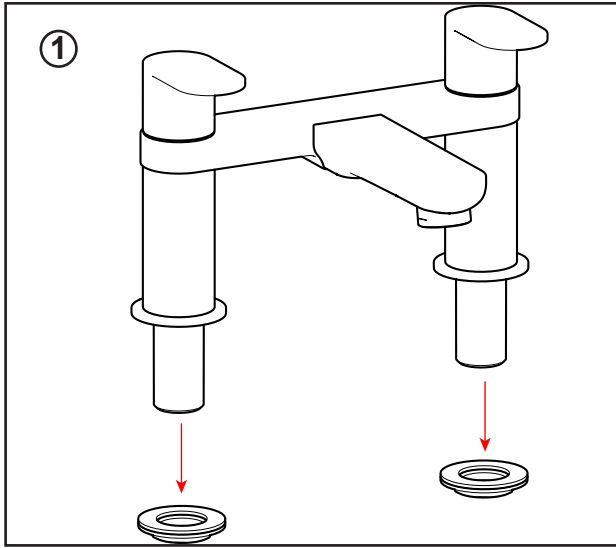


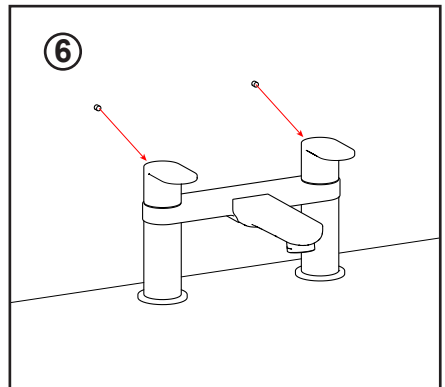
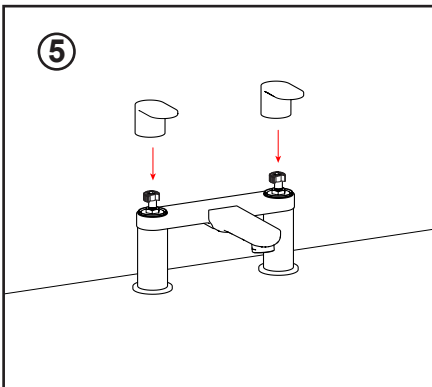
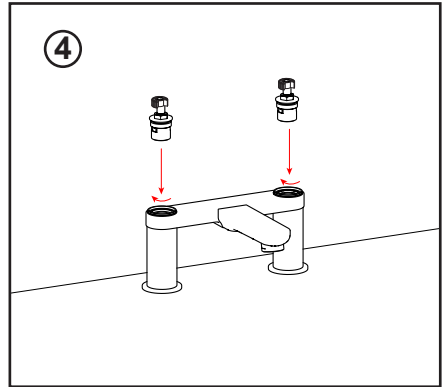
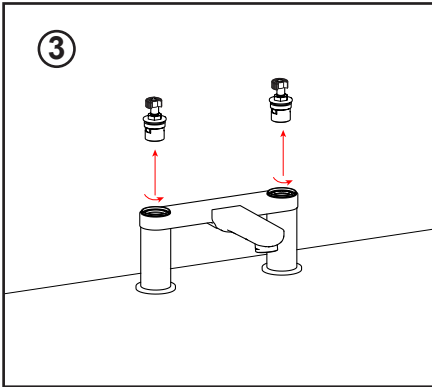
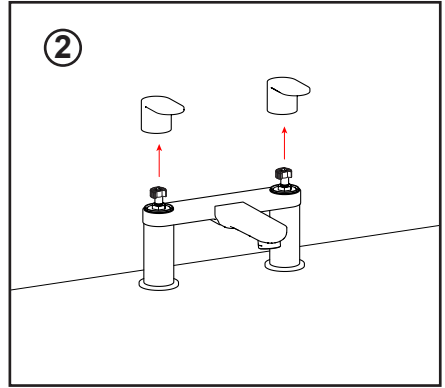
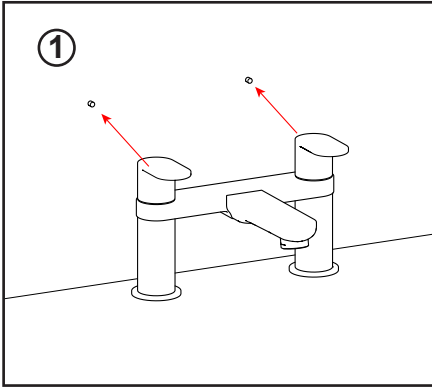
100259572\_N194710606



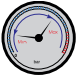



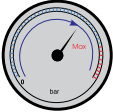
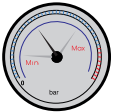
100259573\_N194710607

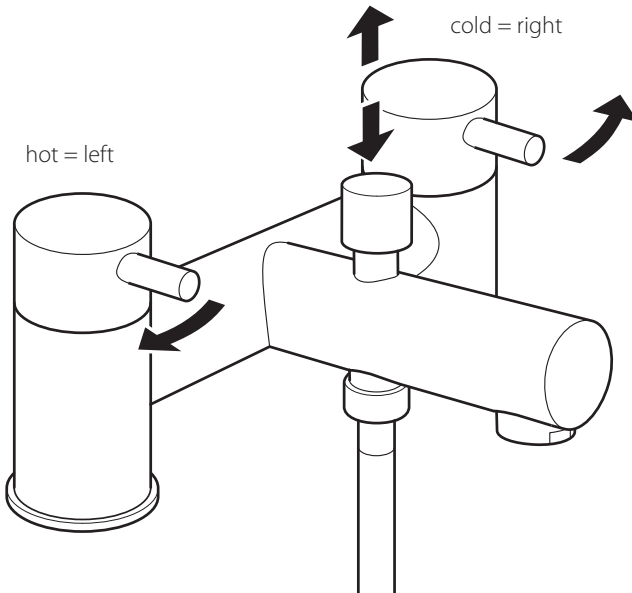








 Min.-Max. 0,2 - 5 bar	 Max. 70°C	Mixing system		
 Min.-Max. 0,3 - 5 bar		Material		Brass
 Max. 5 bar	 3 bar	Coating	chrome nickel	≥ 0,25 µm
				≥ 10 µm



Moving the levers from left to right will increase the flow of water.

Pull the shower control knob up to turn on the shower, push down to close.

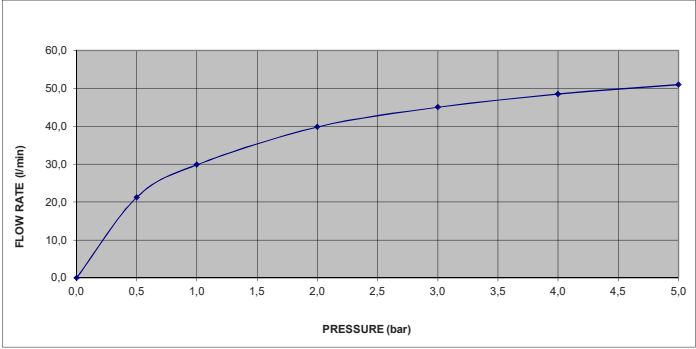






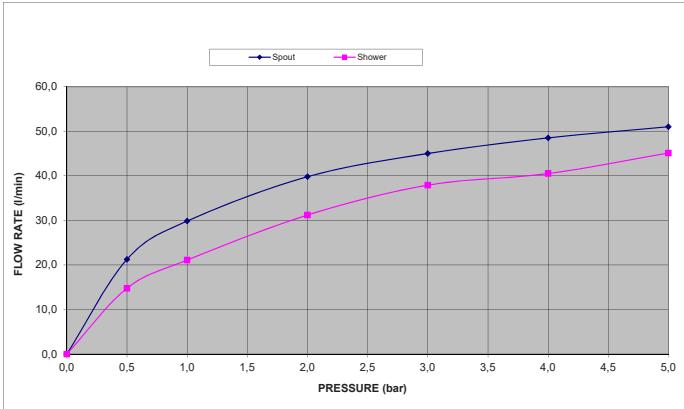
100259572\_N194710606

Pressure (Bar)	FLOW RATE (l/min)
0,0	0,0
0,5	21,3
1,0	29,8
2,0	39,8
3,0	45,0
4,0	48,5
5,0	51,0



100259573\_N194710607

Pressure (Bar)	FLOW RATE (l/min)	
	Spout	Shower
0,0	0,0	0,0
0,5	21,3	14,8
1,0	29,8	21,1
2,0	39,8	31,2
3,0	45,0	37,9
4,0	48,5	40,5
5,0	51,0	45,1





## BRASSWARE AND ACCESSORIES

First of all we thank you for buying our products which are manufactured to the highest standards. However in common with other products our brassware requires the correct cleaning and periodic maintenance.

### BRASSWARE SURFACES

As stated in the norm DIN EN 248 the materials used to plate brassware are Chrome, Nickel, stainless steel, brass and others to leave a superior, easy to clean, pleasing finish. Before cleaning please check the material used and only use a suitable cleaner.

### CLEANING

To clean brassware and accessories please note the following recommendations.

- For regular cleaning only use warm soapy water, if this is not possible use soft non abrasive gels or similar cleaning products, rinse thoroughly and polish with a soft cloth.
- Please avoid the use of harsh or abrasive products such as scouring powders, those products with phosphoric acid, hydrochloric acid, formic acid or acetic acid that could badly damage the product. Please only use PH neutral products.
- Dry the items after each cleaning session and after every use to avoid limestone appearance.

### WARNING

- Cleaning materials will only worsen already damaged product.
- Do not mix cleaning products, the chemical reactions can emit toxic fumes and react badly with product surfaces.
- Do not use harsh or abrasive cloths, pads or cleaning products.
- Do not use bleach or other chlorine based cleaning products.
- Only use suitable cleaning products as recommended for each product the cleaning products only make worse the surfaces if those are already damaged.

### RECOMMENDATIONS FOR THE CLEANING AND PRESERVATION OF BRASSWARE AND ACCESSORIES

- Read the manufacturer's instructions.
- To protect the brassware, internal mechanism and to extend the life of the product it is recommended in line with "best practice" to install isolation valves and in line filters.
- Regular cleaning to reduce lime scale and soap residue build up.
- Do not leave these products in contact with the product surface longer than the manufacturer's recommendations and rinse thoroughly with clean water.
- Do not spray cleaning products directly onto the product surface, spray onto a soft cloth and then apply to the product. Spraying directly onto the product can lead to cleaning fluids being drawn into the products through capillary action causing irreversible damage.
- If a tap is left dripping it may lead to staining and lime scale build up. Please ensure taps are correctly turned off after use.

### GUARANTEE CLAUSE

- Failure to comply with the maintenance instructions may invalidate the guarantee.





## PORCELANOSA BATHROOMS



[www.noken.com](http://www.noken.com)

Para consultar la garantía u otra información relativa a este producto, visitar nuestra web:  
For a warranty or other information on this product, visit our Web address:  
Pour obtenir une garantie ou d'autres informations sur ce produit, visitez notre site web  
Para garantia ou outras informações sobre este produto, visite o nosso site

