



Description

L-58 NEXT Bath waste and overflow set including bath trap - drain flow rate without syphon:>60 L/min. Drain flow rate with syphon:>48 L/min. Overflow flow rate:>36 L/min

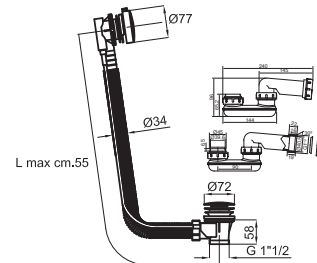
Finish

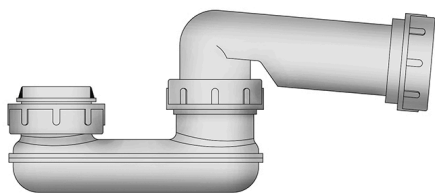


chrome
100060498

Technical drawing

Dimensions in mm





Description

Bath trap NEXT D40

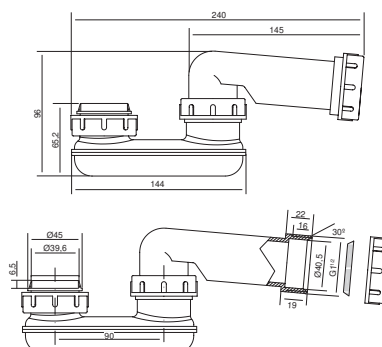
Finish



white
100158208

Technical drawing

Dimensions in mm





Description

L-58 NEXT Bath waste and overflow set

Finish



chrome
250023888

Technical drawing

Dimensions in mm

