

Operating Instructions

EN | 3S-1836 - 3sixT Karma 15W Dual Qi Wireless Charger - Black

INCLUSIONS:

Karma 15W Dual Qi Wireless Charger
Wall Charger with Built-in USB-C Cable
3sixT Global Warranty Document

WARNINGS

- Read all instructions and warnings before using this product. Improper use of this product may result in product damage, excessive heat, toxic fumes, fire or explosion, for which damages you ("Purchaser") and not 3sixT ("Manufacturer") are responsible.
- Do not store the accessory in a high-temperature environment, including heat caused by intense sunlight or other forms of heat (heaters etc.).
- Do not place the device in fire or other extremely hot environments.
- Do not disassemble or modify this accessory in any manner.
- Do not attempt to power this device using any other method than as instructed explicitly in this user guide.
- This accessory is intended for adults and not minors. Failure not to follow these warnings is the sole responsibility of the purchaser, who agrees to indemnify the Manufacturer ("3sixT") for any unintended use/misuse by a minor.
- All products must pass through a thorough quality inspection at the time of manufacture. However, if you find that your device is excessively hot, is found to be deformed outside its regular appearance or is emitting smoke, immediately stop using the device and contact 3sixT.

© 2020 3sixT. All rights reserved.
23/136 Keys Road, Cheltenham VIC 3192 Australia.

MADE IN CHINA



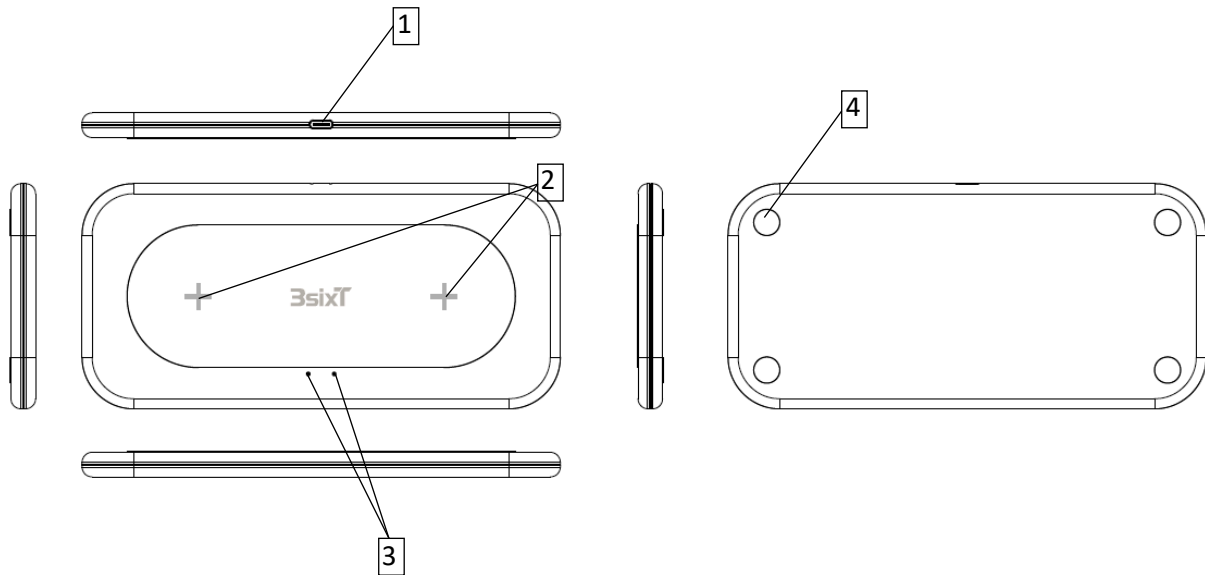
www.3sixtgear.com
or visit www.3sixtgear.com/support



3SIXTgear

NAME PARTS

1. USB-C Input
2. Wireless charging faces
3. LED Status Lights
4. Silicone Feet



Note Well:

- For optimal performance the Karma Qi Wireless Charger must be coupled with the included wall charger.
- Qi wireless charging generates heat within the device being charged and the accessory doing the charging. This is a normal byproduct of charging devices wirelessly.
- Your device must be Qi wireless charging compatible to use this accessory.



www.3sixtgear.com
or visit www.3sixtgear.com/support



3SIXTgear

OPERATION

Charging your Device

1. Locate the provided Wall Charger with built-in USB-C cable.
2. Locate the USB-C input (1) on the Karma Charger
3. Make sure that the USB-C input (1) is clear of obstruction (dirt/dust etc).
4. Plug the USB-C connector end of the cable into the USB-C input on the Karma Charger (1), making sure its fully connected (do not push with excessive force).
5. Plug the included Wall Charger into a compliant/Australian power socket.
6. Turn power on at the power source. The Karma Charger LED indicators (3) will light up solid green for three seconds and turn off. This indicates that the Karma Charger accessory is ready to be used.
7. Place your compatible device centrally on the wireless charging faces (2) and charging will commence automatically. The LED indicator (3) will remain green for a further 20 seconds before extinguishing themselves in consideration of use in the bedroom. Your device will remain charging as normal even though the LED light will not be visible.
8. To stop charging simply remove your device from the Karma Charger and charging will automatically discontinue. The accessory will then return to standby mode ready to charge.

Foreign Object Detection (FOD)

1. When an object other than a Qi wireless enabled device is added to the wireless charging face (2) of the Karma Charger the LED indicator/s will flash green on/off quickly in succession.
2. No charging will occur in this state.
3. To remedy this, simply remove the foreign object from the Karma Charger and it will revert back into standby mode.

Understanding the LEDs

Solid green for 20 seconds:	Charging
Blinking Green 3 seconds:	Powering up cycle
Continual Blinking Green:	Error / Foreign Object Detection (FOD)
Extinguished LED	Continued Charging/Standby mode

SPECIFICATIONS

Item/Model Number:	3S-1836 (Black)
Input:	12V/3.5A (Max)
Output:	1. 5W/7.5W/10W/15W 2. 5W/7.5W/10W/15W
Launch Distance:	≤ 7mm
Over Current Protection:	Yes
Over Voltage Protection:	Yes
FOD Protection:	Yes
Working Temp:	-10° to 60 °C
Product Dimensions:	9.8mmx187mmx87mm



www.3sixtgear.com
or visit www.3sixtgear.com/support



3SIXTgear