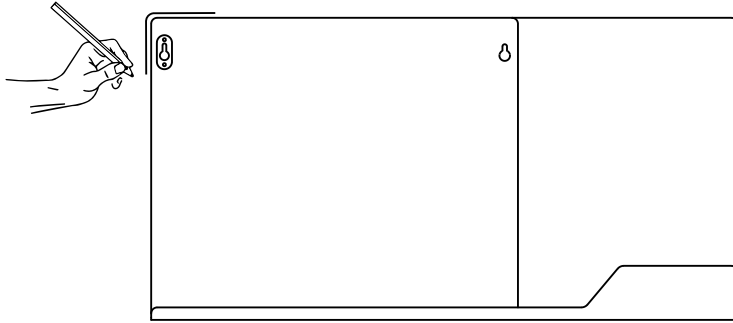
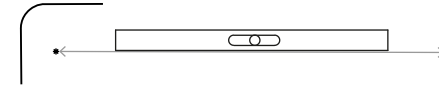


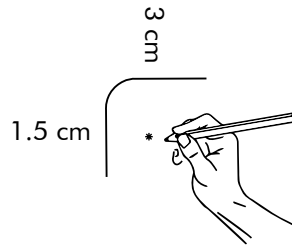
1 Trace corner on wall where hanging



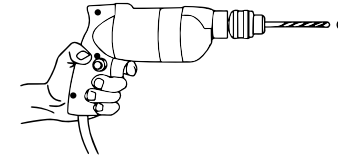
5 Check alignment with Level



2 Mark 1st hole



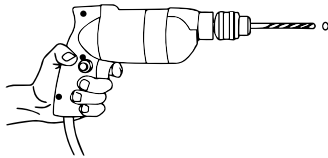
6 Drill 2nd hole
Ø 6 mm



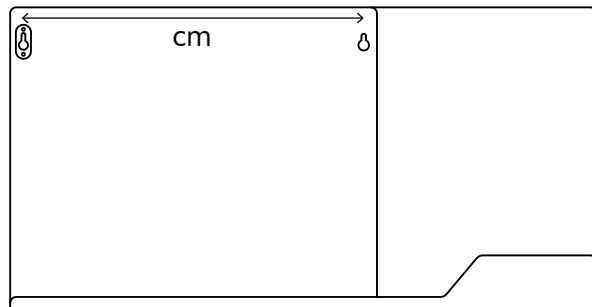
7 Insert wall plugs and screws



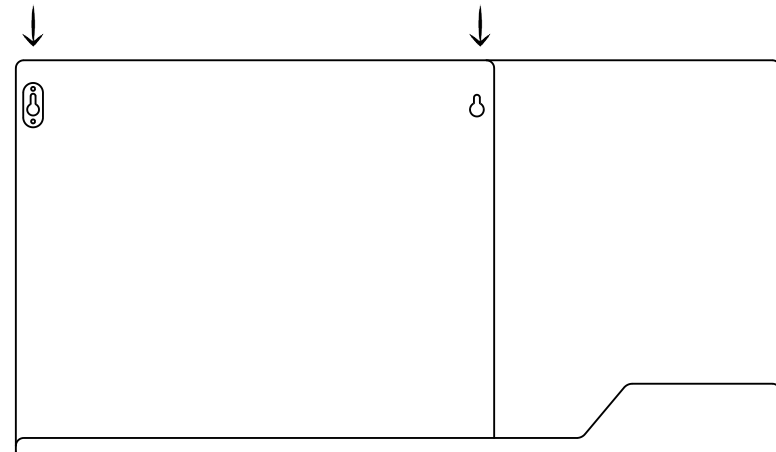
3 Drill 1st hole
Ø 6 mm



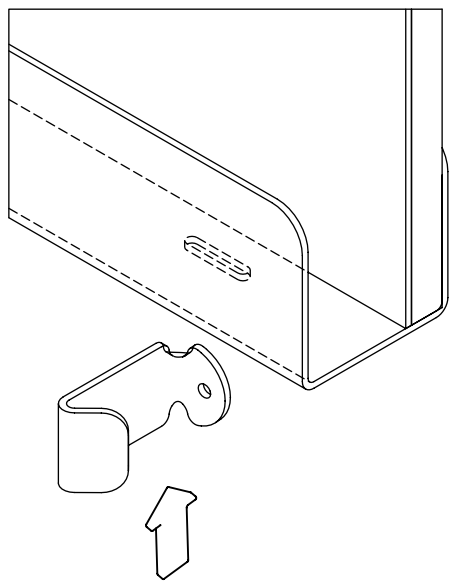
4 Measure and mark 2nd hole



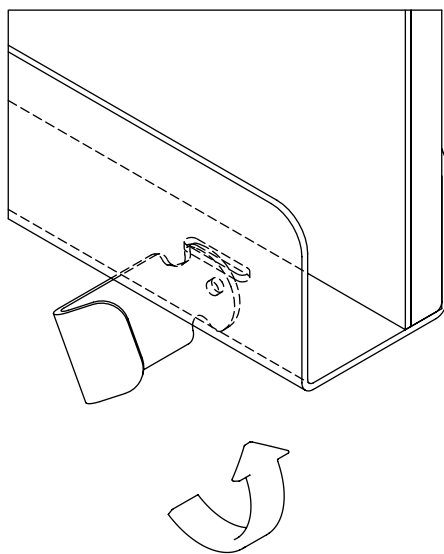
8



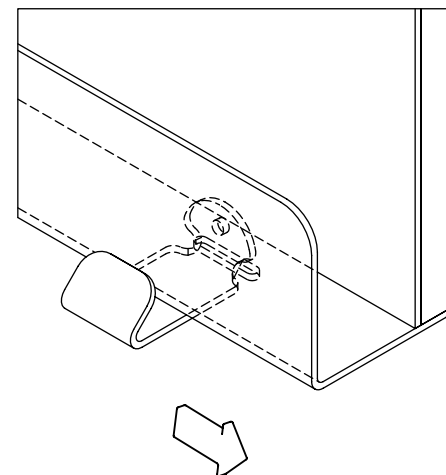
1



2



3



4

