

Instruction Manual

ROBOTIC SWIMMING POOL CLEANER



Type XR2

Read this instruction manual carefully before using your new robotic cleaner.
Save for future reference.

Index

1. Product Introduction
2. Warning and Cautions
3. Features and Operation Instructions
4. Routine Maintenance
5. Trouble shooting
6. Specifications
7. Parts breakdown and replaceable Parts List

Product Introduction

Everybody wants to enjoy an easy life and automating the manual tasks involved with maintaining your pool is no exception. That is why we have developed the Flotide robotic swimming pool cleaner. . The Flotide robot acts as an underwater vacuum cleaner. , it is fully automatic. It is mainly used to clean the dirt and debris such as hair, leaves and sand from the pool floor; poolwall and waterline. As long as you put it into the pool after initial program setting, the cleaning robot can automatically measure the size of the pool, design optimum cleaning route, and clean the pool by itself.

Warning and Cautions

Warning: Your cleaner should not be used while people are swimming in the pool. Do not allow swimmers in the pool while pool cleaner is operating.

Warning: Keep the cleaner away from Chilrend, or use under adult's strict and close supervision.

Warning: DO NOT switch on the pool cleaner if it is not immersed in the water. Operating the cleaner out of the water may cause severe damage and will result in loss of warranty.

Warning: Always remember to turn the power supply off and unplug it from the power outlet before removing the cleaner from the pool.

Warning: DO NOT PULL THE POOL CLEANER FROM THE POOL USING THE CABLE.

Warning: Use this cleaner only when water temperature is 10-35°C and the depth of the pool is 0.5m-3m. The cleaner is designed to work for the pools with 100m² surface area.

Warning: Keep the controller box in a dry place which is 3.5m away from your pool.

Operation Instructions

Brief Introduction

1. Start/Stop

measures the pool size automatically and set the working cycle.

2. Mode of floor clean only

To only clean the pool floor to optimize floor cleaning efficiency.

3. Mode of all purpose clean

All-around cleaning, including pool floor; pool wall and waterline.

4. Mode of waterline clean only

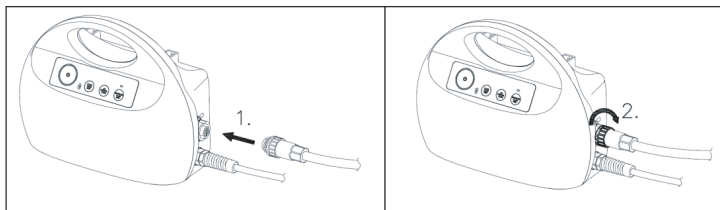
quick clean the waterline only.

5. Use App **CIPU** to control (not available for all models)

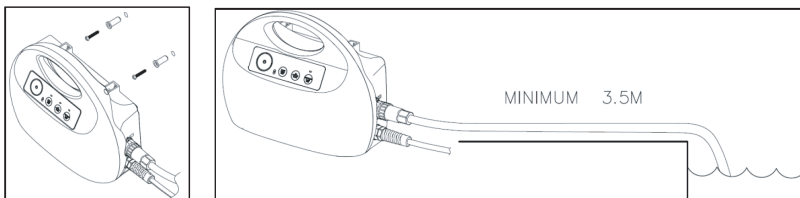
To control the cleaner by Bluetooth and clean the pool.

Operation Instructions:

1. Connect floating power cord.



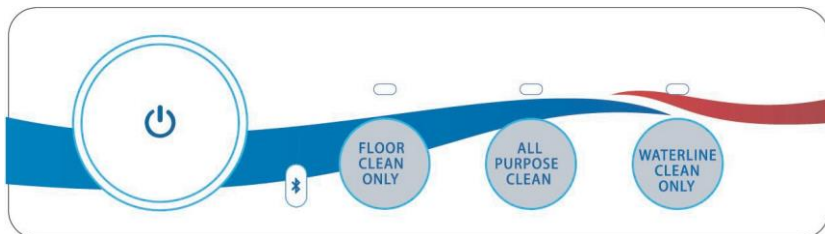
2. Position the power supply so that it is approximately in the middle of the long side of the pool at a distance of 3.5m /11.5ft. Fixation in the middle of longer side is recommended, if you have a rectangle or oval shape pool.



3. Put the Pool Cleaner into the pool. Release the Pool Cleaner and let it sink to the floor of the pool. Make sure that the floating cable is free of any obstructions.
4. Turn the power supply ON (230V AC 50Hz) in the position of I, One of the three modes light will be on. Press the button for the mode you want to run, then press ON/OFF button, the Pool Cleaner will now operate until it has reached the end of the cleaning

cycle.

5. Mode switching: Press on/off button, choose the mode, press on/off button to start the cleaner.



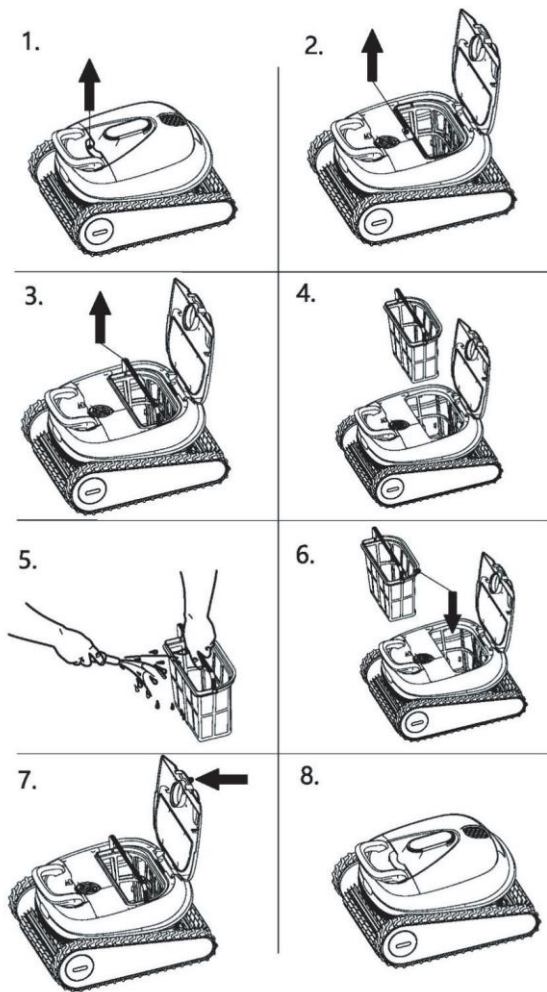
6. Indicator lights%

LED Light	Status	Indication
White	On	Normal operation of the pool cleaner
White	Blinking twice	reverses after meeting obstacles
White	Always blinking	Bluetooth communication with the pool cleaner or standby status
Red	On	Overload or no-load protection Let the cleaner sink to the floor of the pool, and press on/off to start again.

Routine Maintenance

1. Clean the filter basket

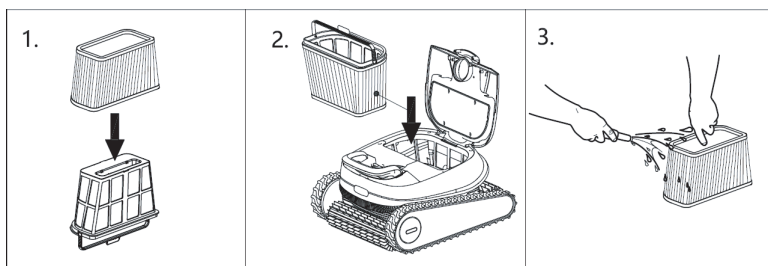
Turn off the Pool cleaner. Open the filter cover. Clean the filter basket with a hose. Insert the clean filter basket and close the filter cover.



Make sure the power supply is switched off and unplugged.

It is highly recommended to clean the filter basket after each cleaning cycle.

2. Use of filter paper core



The filter paper core is a fragile part, which can filter particles below 100 μ m, and its service life is less than 72 hours. (The filter paper core can be used without affecting the performance of the robot, and it is strongly recommended that the filter paper core not be used in a dirty swimming pool. It is best to give final cleaning after majority of cleaning has been carried out)

3. Routine Maintenance of the floating cable

The floating cable may get twisted after 8 hours of continuous work, please untwist the cable before re-starting the pool cleaner. After each use, roll up the cable so that it has no kinks.

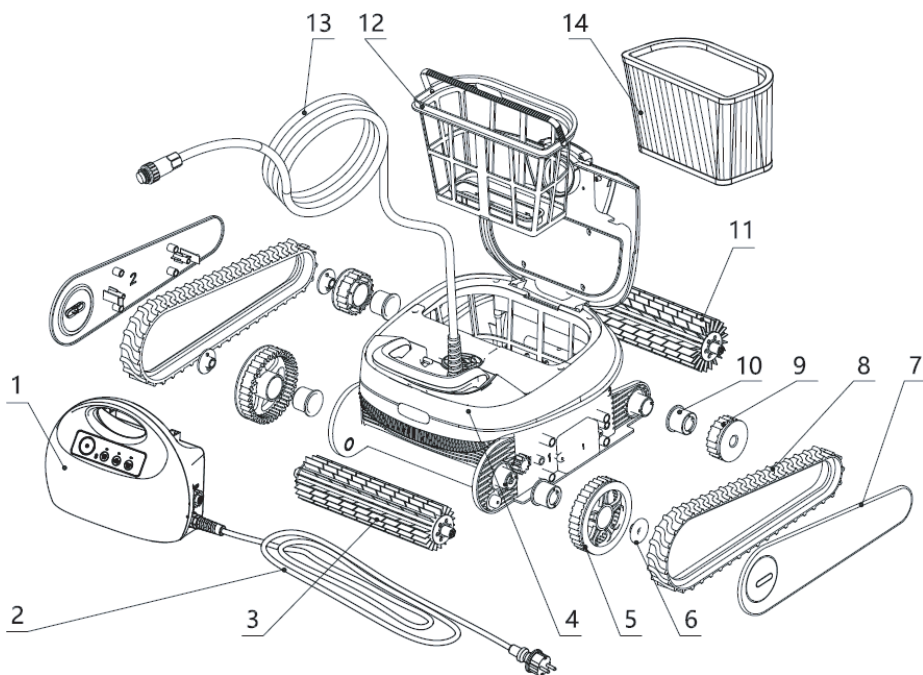
Trouble shooting

Symptom	Possible Reason	Corrective action
The pool cleaner moves but does not clean the pool	Clogged filter basket	Clean the filter basket
The pool cleaner does not move	An obstacle blocks the impeller An obstacle blocks the drive belt	Unplug the power supply. Open the impeller cover and check that nothing is trapped in the impeller. Verify that nothing blocks the tracks or wheels.
Debris out from the outlet	Filter basket is broken	Replace the filter basket
	Filter basket is full	Clean the filter basket
The floating cable has kinks	Working for too long time, over 8 hours.	Untwist the floating cable before re-start.
Stop working	Overload or no-load protection	Let the cleaner sink to the floor of the pool, and press on/off to start again.

Specifications

Specifications	
Product dimension	470 x 410x 255 mm
Package dimension	680 x 450x 390 mm
Product weight	Around 10.5 KG
Package weight	Around 18 KG
Cleaning area	All-around
Filtration accuracy	$\geq 100 \mu\text{m}$
Length of floating cable	17m
Filter speed	14-18 m ³ / h
Output voltage	24V DC
Output current	4.5A
Input voltage	230V
Frequency	50Hz
Horsepower	150W
IP Class for controller box	IP54
IP Class for motor	IP68

Parts breakdown and replaceable Parts List



1. Controller box

2. Power cord for controller box

3. Wheel brush

4. Main body

5. Drive wheel

6. Drive wheel fixing block

7. Side panel

8. Drive belt

9. Driven wheel

10. Sleeve

11. Wheel brush

12. Filter basket

13. Floating cable

14. Filter paper core

