

**ROBOTIC POOL CLEANER  
TYPE CYCLONE**

ORIGINAL MANUAL

**AUTOMATISCHER  
SCHWIMMBECKENREINIGER  
ART CYCLONE**

ORIGINALBETRIEBSANLEITUNG

**NETTOYEUR DE PISCINE  
TYPE CYCLONE**

NOTICE ORIGINALE

**ROBOT ZWEMBADREINIGER  
CYCLOONTYPE**

ORIGINELE HANDLEIDING

**ROBOT POOL CLEANER  
TYPE CYKLON**

ORIGINAL HÅNDBOG

**ROBOT RENGÖRINGSTYP  
CYCLON**

ORIGINAL MANUAL



  
**NORSUP**



- EN
- DE
- FR
- NL
- DK
- SE

4	<b>ROBOTIC POOL CLEANER TYPE CYCLONE</b> ORIGINAL MANUAL	4
20	<b>AUTOMATISCHER SCHWIMM- BECKENREINIGER ART CYCLONE</b> ORIGINALBETRIEBSANLEITUNG	20
36	<b>NETTOYEUR DE PISCINE TYPE CYCLONE</b> NOTICE ORIGINALE	36
52	<b>ROBOT ZWEMBADREINIGER CYCLOONTYPE</b> ORIGINELE HANDLEIDING	52
68	<b>ROBOT POOL CLEANER TYPE CYKLON</b> ORIGINAL HÅNDBOG	68
84	<b>ROBOT RENGÖRINGSTYP CYCLON</b> ORIGINAL MANUAL	84

[www.norsup.eu](http://www.norsup.eu)



Laden Sie die App norsup one:  
Download the norsup one app:  
Téléchargez l'application norsup one:



Google Play Store



Apple Appstore



  
**NORSUP**

## CONTENTS

<b>1. QUICK START GUIDE</b>	<b>6</b>
<b>2. FLOAT INSTALLATION</b>	<b>6</b>
<b>3. SAFETY</b>	<b>7</b>
<b>4. INTRODUCTION</b>	<b>7</b>
4.1 System Overview	7
4.2 How the Robotic Cleaner Cleans Your Pool	7
4.3 Operating Conditions	8
<b>5. COMPONENTS</b>	<b>8</b>
5.1 Cleaner And The Main Parts	8
5.2 Power and Control Unit	8
<b>6. OPERATION</b>	<b>8</b>
6.1 Before First Use	8
6.2 Placing Cleaner Unit into the Water	9
6.3 Starting the Robotic Cleaner	10
6.4 Cleaning Cycle	10
6.5 Stopping Robotic Cleaner Operation	10
6.6 Pulling Cleaner Unit out of the Water	10
<b>7. MAINTENANCE</b>	<b>11</b>
7.1 Cleaning the Filters	11
7.2 Storing the Robotic Cleaner	11
7.3 Checking Water Outlet Propeller	11
<b>8. ROBOTIC CLEANER PROGRAMMING</b>	<b>12</b>
8.1 Control Panel - Buttons and Indicators	12
8.2 Overlay buttons	14
8.3 Using an External Timer	15
<b>9. TROUBLESHOOTING</b>	<b>15</b>
<b>10. REMOTE CONTROL</b>	<b>17</b>
10.1 Remote Control Overview	17
10.2 Using the Remote Control	17
<b>11. CADDY (OPTIONAL)</b>	<b>17</b>
11.1 Overview	17
11.2 Assembling the Caddy	17
11.3 Loading the Robotic Cleaner on the Caddy	17
<b>12. TROLLY (OPTIONAL)</b>	<b>18</b>
12.1 Overview	18
12.2 Assembling the Trolley	18



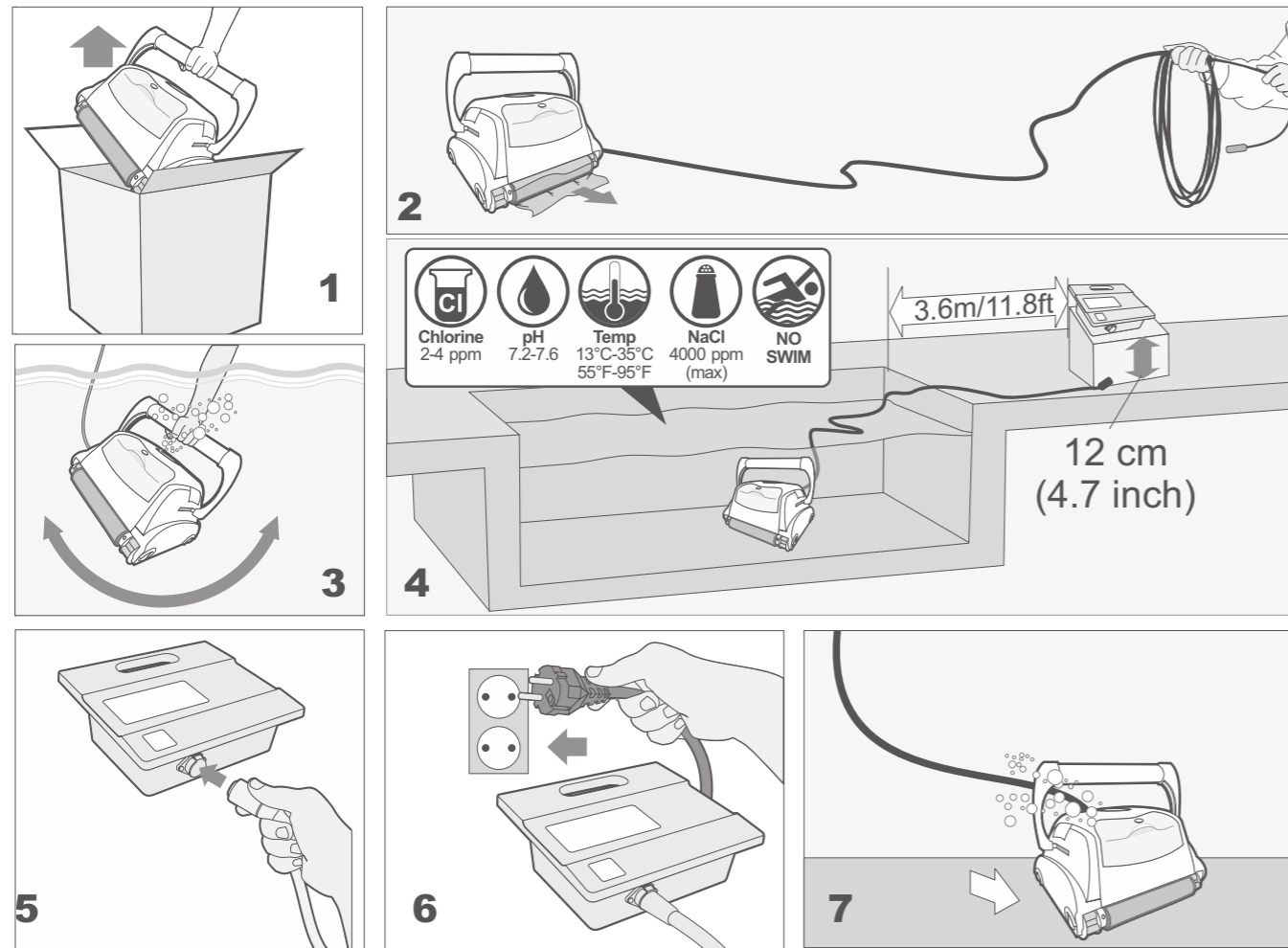
Errors and technical modifications subject to change, reproduction as well as electronic duplication only with our written permission.

© NORSUP

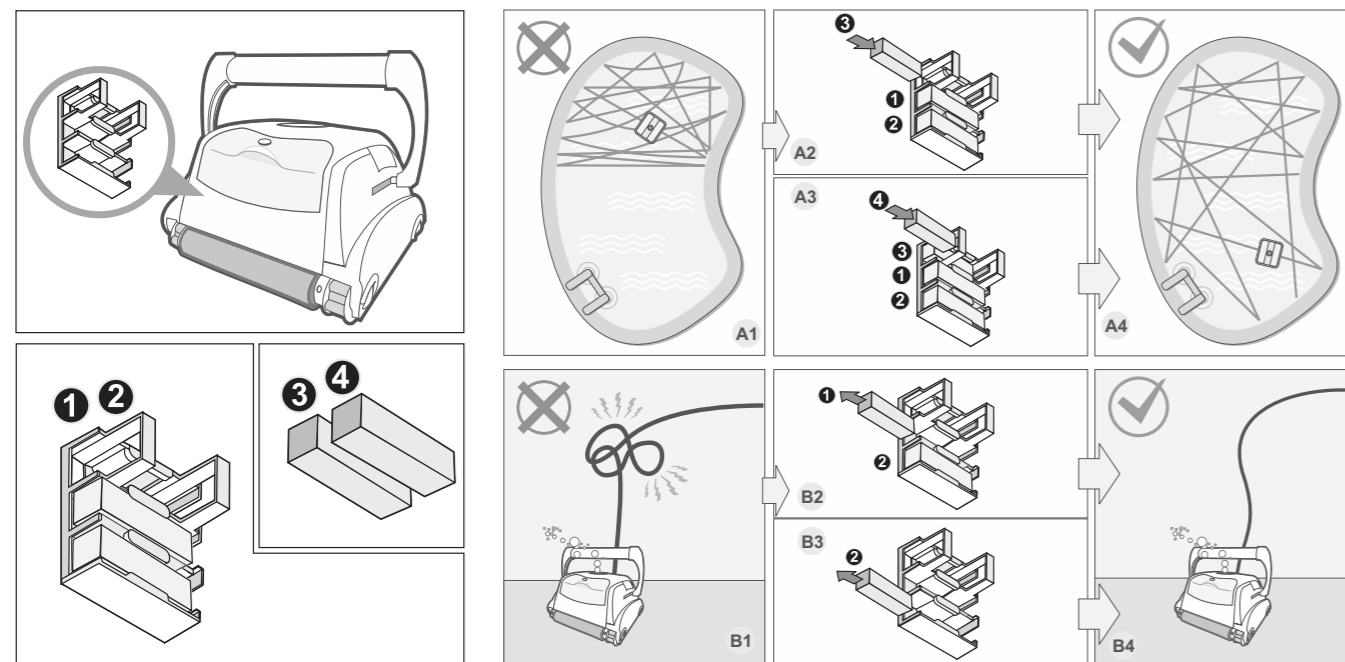
Edition: 11.2020

# ROBOTIC POOL CLEANER TYPE CYCLONE

## 1. QUICK START GUIDE



## 2. FLOAT INSTALLATION



# ROBOTIC POOL CLEANER TYPE CYCLONE

## 3. SAFETY

### IMPORTANT SAFETY INSTRUCTIONS READ AND FOLLOW ALL THE INSTRUCTIONS

**CAUTION:** Do not plug the power supply into a grounded outlet or do not switch the pool cleaner "ON" if it is not fully immersed in water. Operating the cleaner out of water will cause severe damage immediately and will result in loss of warranty.

Allow the cleaner to remain in the pool for 15 to 20 minutes following the end of its cleaning cycle. This will allow the motors to cool adequately. Do not leave the cleaner in the pool all the time. Always remember to turn the power supply "OFF" and unplug it from the power outlet before removing the cleaner from the pool.

### WARNING

The cleaner must not be used when people are in the water. For use with swimming pool only

### Safety Note

- The unit must be supplied through a residual current device (RCD) having a rated residual operating current not exceeding 30 mA
- The connection to the branch circuit should be consistent with the local and national wiring rules (electrical code).
- Mishandling of the unit can result in leakage of lubricants.
- If the supply cord is damaged, it must be replaced by the manufacturer's service agent or a qualified and trained person in order to avoid hazards.



This appliance is not intended for use by persons (including children) with reduced physical, sensory or mental capabilities, or lack of experience and knowledge, unless they have been given supervision or instruction concerning use of the appliance by a person responsible for their safety. Children should be supervised to ensure that they do not play with the appliance.

### WARNING

A Ground Fault Current Interrupter (GFCI-USA) or a Residual Current Device (RCD-EUROPE) must be installed to protect your electric outlet and prevent any possible electric shock.

SAVE THESE INSTRUCTIONS

### Grounding

The power supply must be connected to a grounded 3 conductor socket. The mains power supply must be connected via a GFCI (ground fault circuit interrupter) or RCD (residual current device) having a rated residual operating current not greater than 30mA.

### Fuse

The fuse must be changed by an authorized service agent or trained and qualified person only. For continued protection against risk of fire, replace only with the same type and rating of fuse.

### Maintenance and safety

The cover should not be removed except by an authorized service agent or trained and qualified person. No internal adjustment or component replacement can be carried out by the user. The power cable must be disconnected before removing the cover. If the power supply cord is damaged, it must be replaced by an authorized service agent or trained and qualified person. Do not operate the supply if the cord is damaged.

### Environmental conditions

The power supply is designed to work both indoors and outdoors. However, the unit should not be operated in direct sunlight or be exposed to water. The power supply should not be operated in an ambient temperature in excess of 40°C.

## 4. INTRODUCTION

### 4.1 SYSTEM OVERVIEW

The robotic cleaner sweeps the pool floor and walls to collect dirt and debris into its internal filters. This user manual explains how to operate the robotic cleaner, including cleaning, maintenance and storage procedures.

### NOTE

This manual reviews several robotic cleaner models. There are some variations in components according to specific model.

### 4.2 How the Robotic Cleaner Cleans Your Pool

After the robotic cleaner is placed in the pool and activated, it operates according to the program set via the power and control unit. The robotic cleaner moves along the floor and walls of the pool, covering the entire area of the pool floor and walls. When the robotic cleaner has finished its program, it remains inactive on the pool floor.

### NOTE

Wall climbing is an optional feature. When the wall climbing feature is enabled, the robotic cleaner climbs the wall at intervals according to its internal program. The robotic cleaner ability to climb over stairs in swimming pool is subject to stair geometry and material.

# ROBOTIC POOL CLEANER TYPE CYCLONE

## 4.3 Operating Conditions

The robotic cleaner is intended for use in swimming pools in the following conditions:

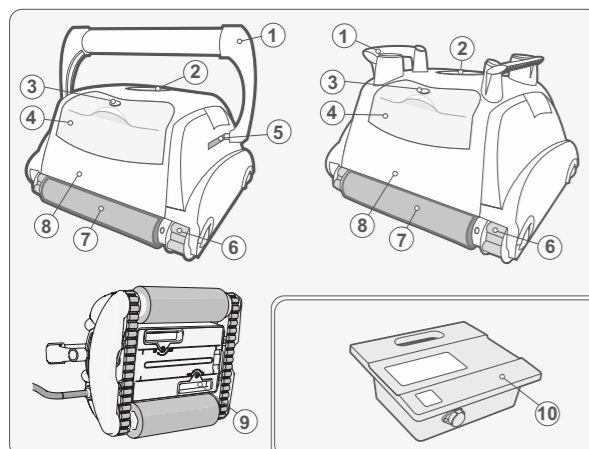
- Temperatures ranging from 13°C-35°C (55°F-95°F), recommended temperature is between 22°C-32°C (72°F-90°F).
- Water pH : 7.2 - 7.6
- Chlorine level: pool is maintained according to the pool manufacturer's instructions. (recommended 2-4 ppm)

### NOTE

Failure to maintain the pool according to the recommended operating conditions could prevent the robotic cleaner from functioning properly. Remove the cleaner out of water when performing „Chemical Shock Treatment“ to the pool water.

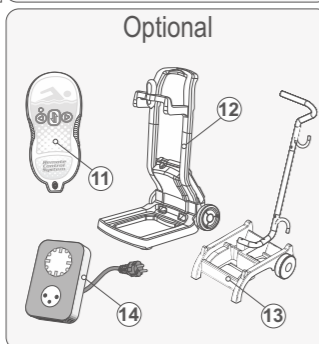
## 5. COMPONENTS

### 5.1. CLEANER AND THE MAIN PARTS



1. Handle
2. Outlet Top
3. Filter Lock Release
4. Filter Top Access
5. Handle Lock Mechanism
6. Drive Track
7. Scrubbing Brush
8. Unit Body
9. Water Inlet
10. Power Supply

#### Optional



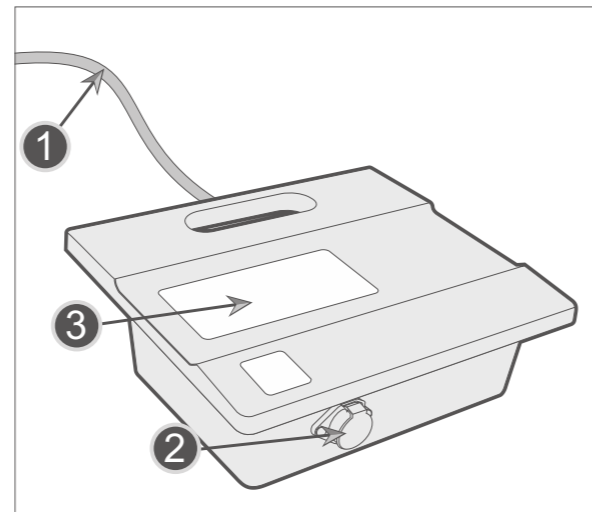
11. Remote Control
12. "Trolley" Cart
13. "Caddy" Cart
14. Timer (purchased separately)

### 5.2. POWER AND CONTROL UNIT

The power and control unit is connected to the robotic cleaner via the floating cable. The unit is powered by AC power (1) and supplies low voltage and commands to the cleaner unit through the outlet socket (2). The unit features a control panel (3) with various controls to operate the robotic cleaner.

## Contents of Packing Box

The robotic cleaner is packed in a box containing:



- Robotic cleaner and floating cable
- Power and control unit
- User manual

According to the model purchased, the following accessories may be included in the package:

- Remote Control
- Caddy
- Trolley
- Additional Accessories

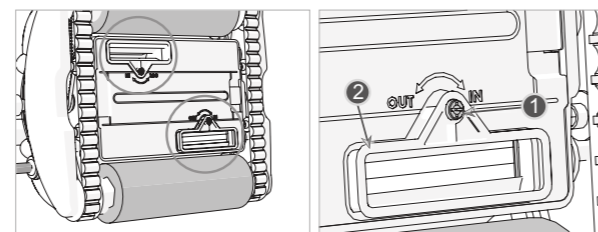
## 6. OPERATION

### 6.1. BEFORE FIRST USE

Adjusting Suction Height: Positioning the suction inlet (2) close to the pool surface increases the suction power and the cleaning quality. Lowering the suction inlet could result in interference with obstacles on the swimming pool floor or walls.

Use a screw driver to adjust the suction inlet position knob (1).

- IN – pulls the suction inlet away from the pool surface and reduces the suction power.
- OUT – brings the suction inlet closer to the pool surface and increases the suction power.

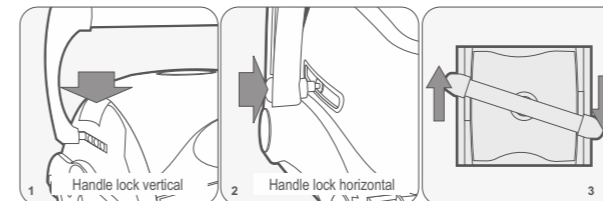


# ROBOTIC POOL CLEANER TYPE CYCLONE

## Adjusting Floating Handle

On wall climbing models, set the floating handle:

1. Press the lock button (1 or 2 according to the model) to release the handle lock.
2. Place the handle (3) diagonally at maximum position.
3. Repeat steps 1 and 2 on the other side of the cleaner unit.

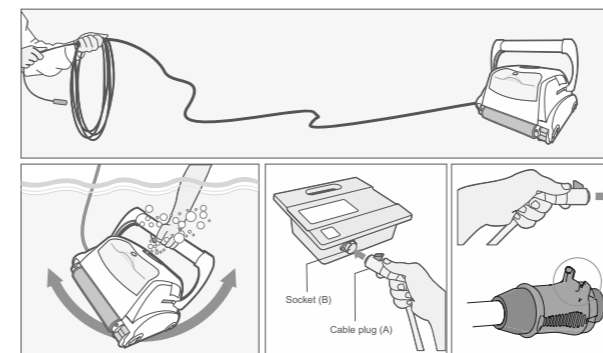
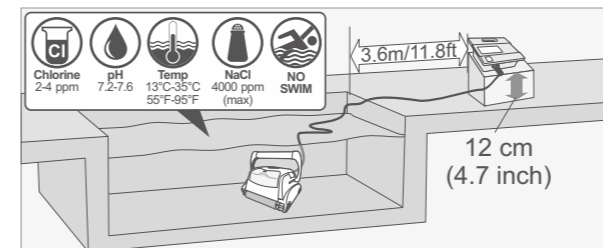


## Removing Brush Covers

The robotic cleaner is shipped with a protective cover over the scrubbing brushes. Carefully remove the nylon covers from the scrubbing brushes.

### CAUTION

Do not use a sharp tool to remove the cover as it could harm the brushes.



## Placing the Power and Control Unit

4. Place the power and control unit at least 3.6 meters /11.8 feet from the pool and at least 12 cm/4 inches above the surface.

### CAUTION

The power and control unit must not be exposed to water or to direct sunlight.

5. Release floating cable plastic ties, which are used to secure the cables during shipping, by pressing plastic snap on the tie.

### Before placing the cleaner unit in the water

1. Make sure there are no people in the pool.
2. Make sure that the filters are clean.
3. Make sure the pool conditions are met; (see "Operating Conditions").

### 6.2. PLACING CLEANER UNIT INTO THE WATER

1. Unroll the floating cable. It is recommended to extend a length of cable that is equal to the pool diagonal size plus an additional two meters.
2. Place the cleaner unit in the pool.
3. Let the robotic cleaner sink to the bottom of the pool. Do not start operation before the robotic cleaner is settled on the pool floor.
4. Spread the floating cable across the pool. Make sure that only the required length of cable is spread across the pool. Smooth out coils or twists in the cable. Roll extra cable outside the pool near the power and control unit.
5. Connect the floating cable (A) to the socket (B) located on the power and control unit.

### CAUTION

Operating the cleaner out of water causes immediate severe damage and results in loss of warranty.

# ROBOTIC POOL CLEANER TYPE CYCLONE

## 6.3. STARTING THE ROBOTIC CLEANER

Connect the power and control unit to the wall socket (1). The Operation LED is lit (4) and the robotic cleaner starts its cleaning program.

If the power and control unit is already connected to the AC socket, the Operation LED flashes (5) to indicate that the robotic cleaner is in standby mode.

Press the Operation button (6). The Operation LED turns on (6) and the robotic cleaner starts the cleaning program.

### NOTE

When the Check Filter LED (3) (optional in some models) is lit, the robotic cleaner filters must be cleaned before placing the cleaner unit in the pool.

## 6.4. CLEANING CYCLE

During the cleaning cycle, the robotic cleaner:

- Moves across the pool floor picking up dirt and debris.
- Changes direction and rotates automatically according to the selected program.
- Climbs the pool walls every few minutes, as set in its internal program.

### NOTE

The robotic cleaner might occasionally stop moving for a few seconds. This is part of normal operation, not a malfunction.

## 6.5. STOPPING ROBOTIC CLEANER OPERATION

The robotic cleaner moves automatically to STANDBY after every cleaning cycle and the operation LED starts flashing (5).

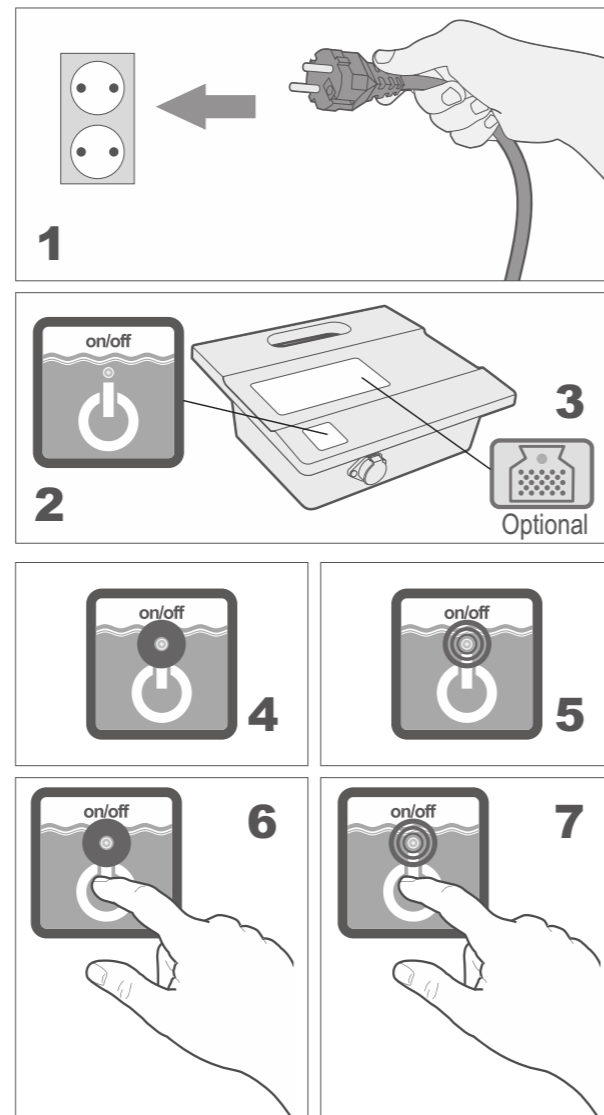
To stop the cleaner operation during a cleaning cycle, press the operation button (7) once. The operation LED starts flashing (7) and the cleaner is in standby mode.

## 6.6. PULLING CLEANER UNIT OUT OF THE WATER

1. Unplug the floating cable from the power and control unit.
2. Pull up on the floating cable to pull the cleaner unit closer until it is possible to take hold of the handle.
3. Using the handle, lift the cleaner unit out of the pool.

### CAUTION

Do not use the floating cable to lift the cleaner unit out of the water.



# ROBOTIC POOL CLEANER TYPE CYCLONE

## 7. MAINTENANCE

### 7.1. CLEANING THE FILTERS

The two filters must be cleaned after each cleaning cycle.

1. Release the filter and pull it out of the cleaner unit. (1), (2)
2. Pull the filter door against the filter housing to open the filter case. (3), (4)
3. Spray water on the outer sides of the filter and then spray water towards the inner side of the filter to clean all the dirt and debris. (5)
4. Verify that the small plastic shutter (2) is in place and not broken, then close the filter. (6)
5. Insert the filter back into its location until a click is heard to secure the filter in place. (7), (8)

### 7.2. STORING THE ROBOTIC CLEANER

Follow these instructions to store the robotic cleaner when not in use:

1. Disconnect the power cord from the wall outlet.
2. Disconnect the floating cable from the power and control unit.
3. Spread out the floating cable and release any twists in the cable.
4. Wash the cleaner unit interior space with fresh water and let it dry.
5. Roll the floating cable and place it ON THE CLEANER unit.



### CAUTION

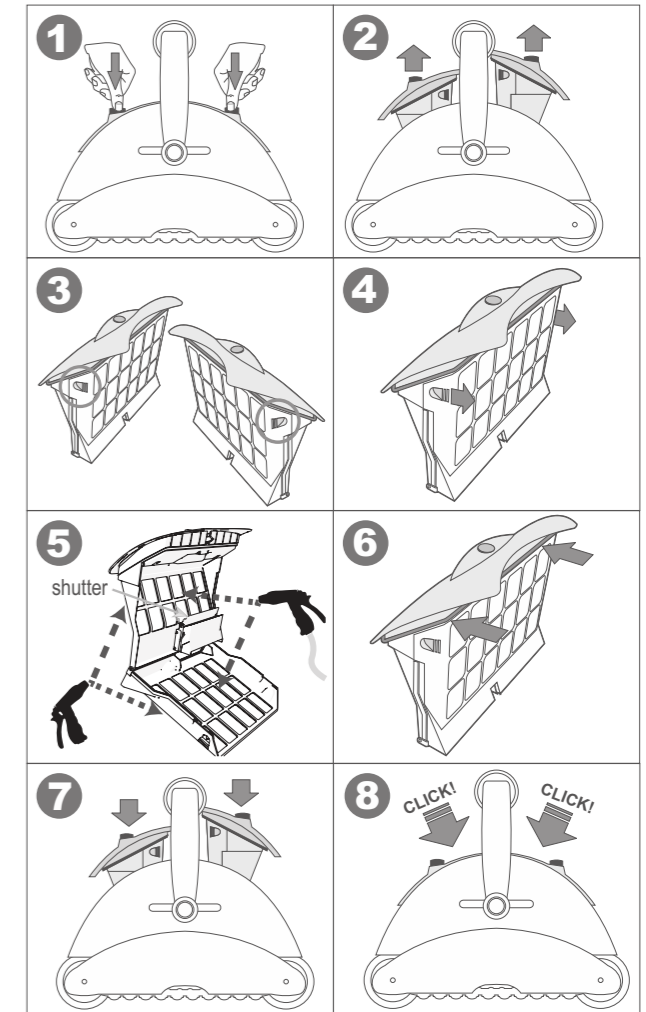
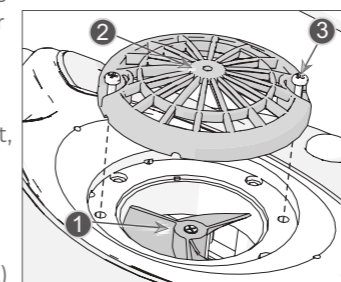
DO NOT ROLL the floating cable ON THE HANDLE of the cleaner unit.

6. Store the robotic cleaner components in a dry, closed location.
7. Verify that the power and control unit is not exposed to water.

### 7.3. CHECKING WATER OUTLET PROPELLER

It is recommended to periodically clean debris and hair from the propeller of the water outlet:

1. Remove the screws (3) that holds water outlet cover (2).
2. Remove the water outlet cover (2).
3. Clean any hairs, dirt, or debris.
4. Verify that the propeller (1) is not broken.
5. Return the cover (2) and fasten it with the screws (3).



# ROBOTIC POOL CLEANER TYPE CYCLONE

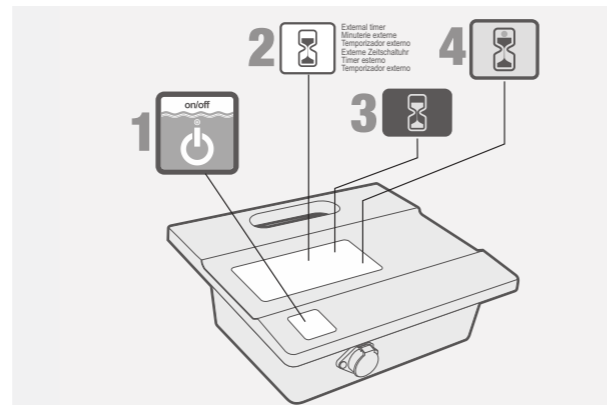
## 8. ROBOTIC CLEANER PROGRAMMING

This chapter reviews the programming options. Skip this chapter if your model is not programmable or if the robotic cleaner is already programmed.

### 8.1. CONTROL PANEL - BUTTONS AND INDICATORS

The control panel consists of:

- On/Off power (1) – starts and stops the robotic cleaner operation.
- Function description (2) – describes the function
- Control buttons (3) – dark blue, enables selecting relevant function.
- Status display (4) – indication LED lit to display the selected option or the cleaner state.



# Aquacontrol

check filter  
chèque filtre  
filter überprüfen  
controllare il sacchetto filtrante  
revise el filtro

cleaning time  
temps de nettoyage  
reinigungszeit  
tempo di pulizia  
tiempo de limpieza

2.0H

1.5H

## SPS 100

**Aquacontrol**

- Cleaning program  
Mode nettoyage  
Programa de limpieza  
Reinigungsprogramm  
Programma di pulizia  
Programa de limpeza
- Internal timer  
Minuterie interne  
Temporizador interno  
Interne Zeitschaltuhr  
Timer interno  
Temporizador interno
- Check filter  
Vérifiez le filtre  
Revise el filtro  
Filter überprüfen  
Controllare il sacchetto filtrante  
Verifique o Filtro
- External timer  
Minuterie externe  
Temporizador externo  
Externe Zeitschaltuhr  
Timer esterno  
Temporizador externo

PROGRAM 03	96h	
PROGRAM 02	72h	
PROGRAM 01	48h	

**SPS 200**

# ROBOTIC POOL CLEANER TYPE CYCLONE

**Aquacontrol**

- Swivel  
Pivot  
Swivel  
Drehlager  
Manopola di disattorcigliamento  
Swivel
- Cleaning program  
Mode nettoyage  
Programa de limpieza  
Reinigungsprogramm  
Programma di pulizia  
Programa de limpeza
- Internal timer  
Minuterie interne  
Temporizador interno  
Interne Zeitschaltuhr  
Timer interno  
Temporizador interno

HIGH	PROGRAM 03	96h	
NORMAL	PROGRAM 02	72h	
	PROGRAM 01	48h	

**SPS 300**

**Aquacontrol**

- Auto detect  
Auto detection  
Auto detección  
Automatische erkennung  
Auto diagnosi  
Detección automática
- Swivel  
Pivot  
Swivel  
Drehlager  
Manopola di disattorcigliamento  
Swivel
- Internal timer  
Minuterie interne  
Temporizador interno  
Interne Zeitschaltuhr  
Timer interno  
Temporizador interno
- External timer  
Minuterie externe  
Temporizador externo  
Externe Zeitschaltuhr  
Timer esterno  
Temporizador externo

HIGH	PROGRAM 03	96h	
NORMAL	PROGRAM 02	72h	
	PROGRAM 01	48h	

**SPS 400**

**Aquacontrol**

- Auto detect  
Auto detection  
Auto detección  
Automatische erkennung  
Auto diagnosi  
Detección automática
- Swivel  
Pivot  
Swivel  
Drehlager  
Manopola di disattorcigliamento  
Swivel
- Cleaning Level  
Niveau de Nettoyage  
Nível de Limpeza  
Reinigungsstufe  
Livello di Pulizia  
Nível de Limpeza
- Delay  
Retard  
Retrasar  
Verzögerung  
Ritardo  
Atrasar





HIGH	PROGRAM 03	
NORMAL	PROGRAM 02	
	PROGRAM 01	

**SPS 500**

# ROBOTIC POOL CLEANER TYPE CYCLONE

## 8.2. OVERLAY BUTTONS

### MODEL

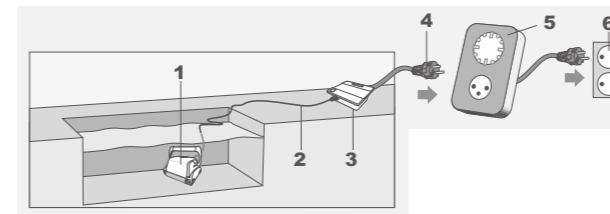
100/200 300/400 500		<b>Check filter</b> - Illuminated light means the filter bag must be removed, cleaned and properly installed back into the robot to work efficiently. In Models 300, 400, 500 - the robotic cleaner will stop climbing on the walls once the Check Filter is illuminated
100		<b>Cleaning time</b> - time duration spent cleaning the pool. Press the button to select the desired time. A red light will indicate your selection. <b>This feature can only be selected when the Power supply is in standby mode</b>
200 300/400		<b>Internal timer - Automatic operation option:</b> Every 48 hours Every 72 hours Every 96 hours
200/300		<b>Cleaning program selection:</b> Program 01 – 1 hour floor and wall cleaning Program 02 – 1.5 hour floor and wall cleaning. Program 03 – 2 hour floor and wall cleaning.
400		<b>Cleaning program selection:</b> Program 01 – 1.5 hour floor only cleaning program Program 02 – 2 hour floor and wall cleaning. Program 03 – 2.5 hour floor and wall cleaning.
500		<b>Cleaning program selection.</b> Program 01 – 2 hour floor only cleaning program Program 02 – 4 hour floor and wall cleaning. (on certain models wall cleaning feature is not available) Program 03 – 5 hour floor and wall cleaning. (on certain models wall cleaning feature is not available)
200 300/400		<b>External timer</b> This feature gives the option to the end user to program the cleaning schedule through an external timer (sold separately). Pressing this button enables and disables this feature.
300/400 500		<b>Swivel</b> – adjust the robots rate of turns in the pool. Normal – Standard operation High – Different rate of turns
400/500		<b>Auto detect:</b> this feature prevents the robot from getting stuck on obstacles in the pool such as main drains, steps, ladders etc. Press this button to choose one of the following options:  <b>Auto-Detect - OFF.</b> Choose this option if your pool has obstacles on the floor such as high drain. This will prevent the unit from changing direction upon hitting the obstacle.  <b>Auto-Detect - ON.</b> Choose this option if the pool floor is free of obstacles.
400/500		<b>Pool shape:</b> Allows the robot to calculate the most efficient cleaning pattern for the pool shape chosen. Press the button to select the drawing most suitable to the shape of the pool. A red light will indicate your selection.
500		<b>Cleaning level – Change the cleaning performance</b>  Quick: Choose if your pool has small amount of dirt  Regular: Choose for daily maintenance  Thorough: Choose if your pool has large amount of dirt
500		<b>Delay</b> When this option is On, the robot will start to work after 2 hours of delay. This feature is used to let debris and dust sink on the floor before starting the robot's cleaning.

# ROBOTIC POOL CLEANER TYPE CYCLONE

## 8.3. USING AN EXTERNAL TIMER

(Optional, should be purchased separately)

An external timer can be used to automatically activate the Cleaner on pre-set time. The external timer should be connected between the wall socket and the Power and Control unit



1. Unit
2. Cable
3. Power supply
4. Power supply plug
5. External timer (purchased separately)
6. Outlet

## 9. TROUBLESHOOTING

### CLEANER DOES NOT TURN ON.

#### There is no electricity in the wall socket.

1. Disconnect cleaner from the power and control unit.
2. Disconnect power supply from the wall socket, wait 30 seconds and reconnect.
3. Turn power ON. If not activated, connect the unit to a different wall socket.

#### Floating cable not connected properly to the power and control unit.

Reconnect the floating cable to the power and control unit.

#### Obstacle in the drive system of the cleaner unit.

1. Turn the cleaner unit carefully to view the underside.
2. Rotate the tracks and scrubbing brushes by hand. It should rotate but it should not rotate freely.
3. Clean and remove obstacles and debris if necessary.

#### Propeller is seized due to accumulation of hair.

Check if the propeller is broken or needs to be cleaned (see "Checking Water Outlet Propeller").

### CLEANER MOVES BUT DOES NOT PUMP WATER.

#### Filters are dirty.

1. Remove the filters
2. Run the robotic cleaner in the pool without the filters. If working properly, clean the filters well or replace the filters.

#### Propeller is broken or seized due to accumulation of hair.

Check if the propeller is broken or needs cleaning (see "Checking Water Outlet Propeller").

### CLEANER PUMPS WATER BUT DOES NOT MOVE.

#### Obstacle in the drive system of the cleaner unit.

1. Turn the cleaner unit carefully to view the underside.
2. Rotate the tracks and scrubbing brushes by hand. It should rotate but it should not rotate freely.
3. Clean and remove obstacles and debris if necessary.

### CLEANER STARTS AND SHUTS OFF AFTER A SHORT TIME.

#### Filters are dirty.

1. Remove the filters.
2. Run the robotic cleaner without the filters. If working properly, clean the filters well or replace the filters.

#### Propeller is broken or seized due to accumulation of hair.

1. Remove the top screws on the top outlet.
2. Check if the propeller is broken or needs to be cleaned.

#### Obstacle in the drive system of the cleaner unit.

1. Turn the cleaner unit carefully to view the underside.
2. Rotate the tracks and scrubbing brushes by hand. It should rotate but it should not rotate freely.
3. Clean and remove obstacles and debris if necessary.

### CLEANER DOES NOT PICK UP DIRT.

#### Filters are dirty or have holes.

Clean as needed and verify that there no holes in the filters.

#### Propeller is broken or seized due to accumulation of hair.

Check if the propeller is broken or needs cleaning (see "Checking Water Outlet Propeller").

#### The suction inlet is not close enough to the pool floor.

Move the suction inlet OUT (see "Adjusting Suction Height").

### DIRT COMES OUT OF THE CLEANER WHEN REMOVING IT FROM POOL.

#### Filter shutter is broken or missing.

Open the filters and verify that the filter shutter is not broken and functions properly (see "Cleaning Filters")

#### Holes in the filters.

Open the filters and verify that there are no holes in the filter screens (see "Cleaning Filters")

#### Bottom lid is not properly closed.

Make sure that the bottom lid is properly closed.



# ROBOTIC POOL CLEANER TYPE CYCLONE

## CLEANER UNIT DOES NOT COVER THE ENTIRE POOL.

**Filters are dirty.**  
Clean the filters.

**There is not enough length of the floating cable in the water to reach the far end of the pool, or the cable is tangled.**

1. Verify that there is enough length of the floating cable in the water to reach the far end of the pool.
2. Make sure that the floating cable is properly spread out and is not tangled.

**The angle of the floating handle affects the cleaner movement.**

Increase diagonal angle of the floating handle (see "Adjusting Floating Handle").

**Pool pH level is incorrect.**

Make sure that the pH level is between 7.2 and 7.6.

**Chlorine level is incorrect.**

Check water chlorine treatment and correct if required (Remove the cleaner from the pool during the treatment.)

**Propeller is broken or seized due to accumulation of hair.**

1. Remove the top screws on the top outlet.
2. Check if the propeller is broken or needs cleaning.

**Obstacle in the drive system of the cleaner unit.**

1. Turn the cleaner unit carefully to view the underside.
2. Rotate the tracks and scrubbing brushes by hand. It should rotate but it should not rotate freely.
3. Clean and remove obstacles and debris if necessary.

## THE CLEANER DOES NOT CLIMB WALLS.

**The cleaner is not climbing the pool walls.**

1. Verify that your robotic cleaner is not a floor-only model.
2. Verify that P1, floor cleaning only, is not selected on the power and control unit (see "Robotic Cleaner Programming").

**Filters are dirty.**  
Clean the filters.

**Propeller is broken or seized due to accumulation of hair.**

Check if the propeller is broken or needs cleaning (see "Checking Water Outlet Propeller").

**pH level is incorrect.**

Make sure that pH is between 7.2 and 7.6.

**Chlorine level is incorrect.**

Check water chlorine treatment (remove the cleaner from the pool during treatment).

**Water temperature is not optimal.**

Recommended temperature is between 22°C–32°C (72°F–90°F).

## THE CABLE IS TANGLED.

**Filters are dirty.**  
Clean the filters.

**Bottom lid is not properly closed.**

Make sure that the bottom lid is properly closed.

**Cable is not spread out before putting the cleaner unit into the pool.**

Make sure that the floating cable is properly spread out and not tangled before operating the robotic cleaner.

**The length of the cable in the water is too long.**

Verify that the length of cable in the water equal to the pool diagonal length plus two meters.

**Propeller is broken or seized due to accumulation of hair.**

Check if the propeller is broken or needs cleaning (see "Checking Water Outlet Propeller").

## REMOTE CONTROL DOES NOT WORK.

**The battery is empty. The LED is blinking or OFF.**

Check the battery by pressing one of the buttons. The red light on the remote control unit does not blink or stay lit continuously if the battery is empty. Contact your dealer or service center.

# ROBOTIC POOL CLEANER TYPE CYCLONE

## 10. REMOTE CONTROL

This chapter reviews the operation of the optional remote control unit. The remote control is included in some models.

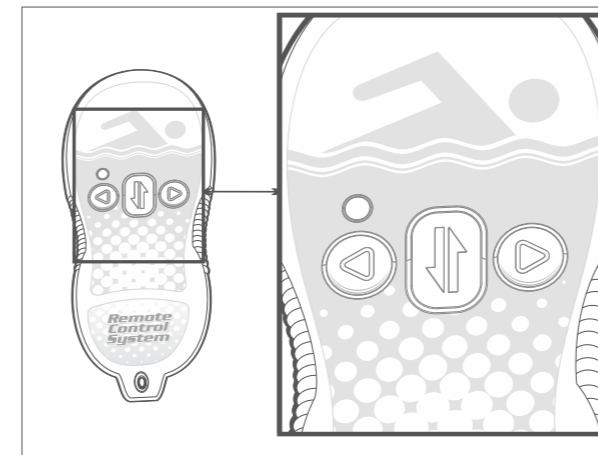
### 10.1. REMOTE CONTROL OVERVIEW

The remote control is an optional feature that enables controlling the robotic cleaner via remote command buttons. When pressing the remote control buttons, radio signal is transmitted to the power and control unit. This signal is transferred into a command sent to the robotic cleaner via the floating cable.

### 10.2. USING THE REMOTE CONTROL

1. Press the right button (3) to turn the robotic cleaner right. The robotic cleaner continues turning to the right until the button is released.
2. Press the left button (1) to turn the robotic cleaner left. The robotic cleaner continues turning to the left until the button is released.
3. Press the Forward/Reverse button (2) to stop the robotic cleaner and change its direction of movement.

The remote control LED is lit after each command. If the LED does not respond or flashing, replace the battery.



## 11. CADDY (OPTIONAL)

### 11.1. OVERVIEW

The caddy is an optional accessory that makes it easy to move the robotic cleaner, floating cable and the power and control unit from place to place.

### 11.2. ASSEMBLING THE CADDY

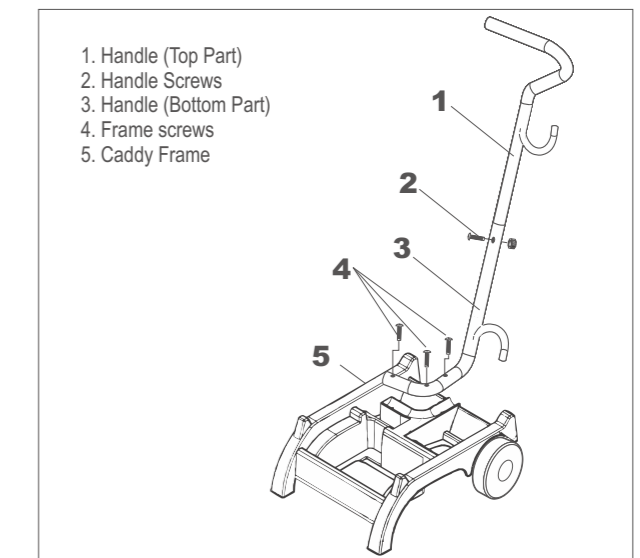
To assemble the caddy, you need a standard screwdriver and a 8 mm wrench.

#### Connecting the Caddy Handle

1. Fasten the handle bottom part (3) to the caddy frame (5) with the three screws (4) and nuts.
2. Connect the handle top part (1) to the handle bottom part (3) using screw (2) and nut.

### 11.3. LOADING THE ROBOTIC CLEANER ON THE CADDY

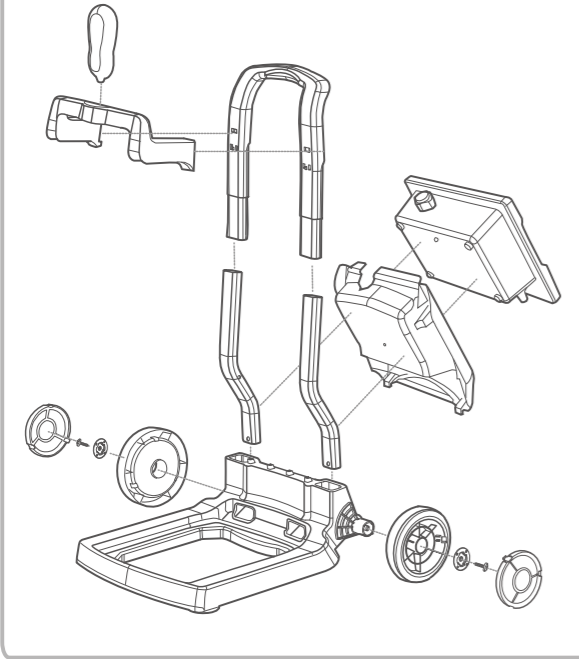
1. Place the cleaner unit on the caddy base.
2. Coil the floating cable and place it on the cleaner unit.
3. Place the power and control unit on top of the floating cable coil.



# ROBOTIC POOL CLEANER TYPE CYCLONE

## 12. TROLLY (OPTIONAL)

### Assembly Diagram

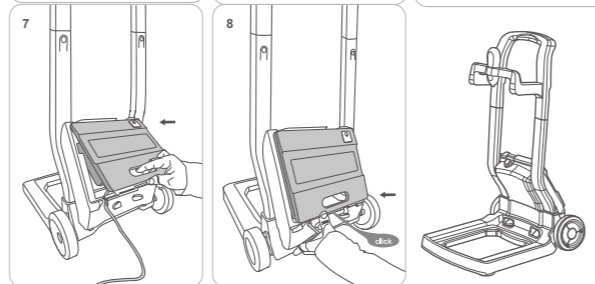
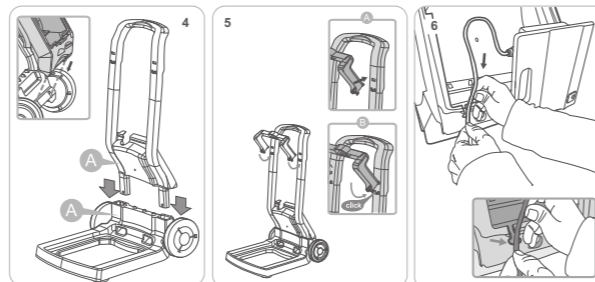
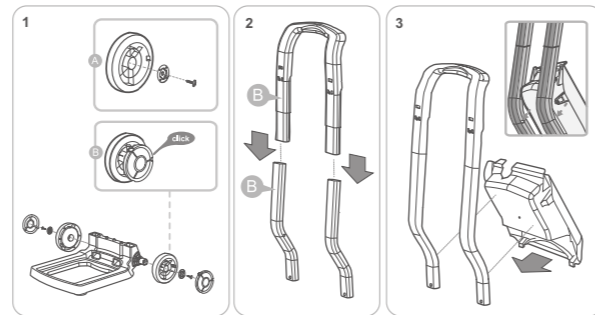
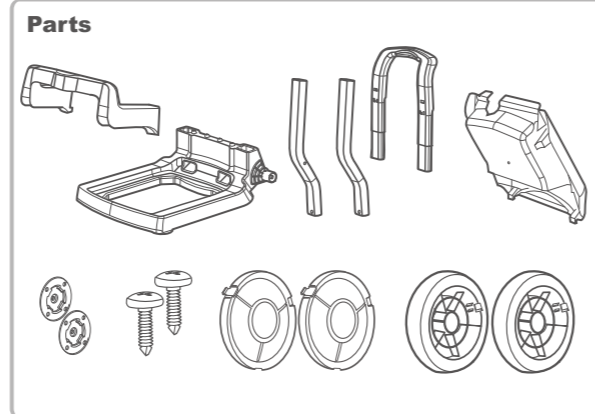


### 12.1. OVERVIEW

The trolley is an optional accessory that makes it easy to move the robotic cleaner and provides a mounting site for the power and control unit.

### 12.2 ASSEMBLING THE TROLLY:

1. Attach the wheels to both sides of the trolley base and fasten each wheel with the screw and install the cover.
2. Assemble the two sections of the handle.
3. Attach the power and control unit housing by clicking the upper tabs into the holes in the handle.
4. Insert the handle into the trolley base. Click the lower tabs of the power and control unit housing into the trolley base.
5. Attach the remote control holder by inserting the upper part into the trolley handle and turning the holder downward until the lower part clicks.
6. Attach the cable of the power supply
7. Place the power and control unit cable in the groove in the trolley base.
8. Place the upper part of the power and control unit in the housing and push the lower part downward until it clicks into the trolley base.



## NOTES

---

---

---

---

---

---

---

---

---

---

## EINHALT

<b>1. KURZANLEITUNG</b>	<b>22</b>
<b>2. SCHWIMMENDE SCHAUM INSTALLATION</b>	<b>22</b>
<b>3. WICHTIGE SICHERHEITSHINWEISE</b>	<b>23</b>
<b>4. EINFÜHRUNG</b>	<b>23</b>
4.1 Systemübersicht	23
4.2 Wie der Robotische Reiniger Ihr Schwimmbecken reinigt	23
4.3 Betriebsbedingungen	24
<b>5. KOMPONENTEN</b>	<b>24</b>
5.1 Der robotische Reiniger	24
5.2 Strom- und Steuereinheit	24
<b>6. BETRIEB</b>	<b>24</b>
6.1 Vor der ersten Inbetriebnahme	24
6.2 Absetzen des Reinigers ins Wasser	25
6.3 Inbetriebnahme des robotischen Reinigers	26
6.4 Reinigungszyklus	26
6.5 Den Betrieb des robotischen Reinigers anhalten	26
6.6 Den Reiniger aus dem Wasser ziehen	26
<b>7. WARTUNG</b>	<b>27</b>
7.1 Reinigung der Filter	27
7.2 Lagerung des robotischen Reinigers	27
7.3 Überprüfen des Wasserauslass-Propellers	27
<b>8. PROGRAMMIEROPTIONEN</b>	<b>28</b>
8.1 Steuerkonsole	28
8.2 Einblendungstasten	30
8.3 Verwendung eines externen Timers	31
<b>9. FEHLERBESEITIGUNG</b>	<b>31</b>
<b>10. FERNBEDIENUNG</b>	<b>33</b>
10.1 Übersicht Fernbedienung	33
10.2 Verwendung der Fernbedienung	33
<b>11. TRANSPORTBEHÄLTER (OPTIONAL)</b>	<b>33</b>
11.1 Overview	33
11.2 Montage des Transportbehälters	33
11.3 Laden des robotischen Reinigers auf den Transportbehälter	33
<b>12. TRANSPORTWAGEN (OPTIONAL)</b>	<b>34</b>
12.1 Overview	34
12.2 Montage des Transportwagens	34

Fehler und technische Änderungen können nur mit unserer schriftlichen Genehmigung geändert, reproduziert oder elektronisch vervielfältigt werden.

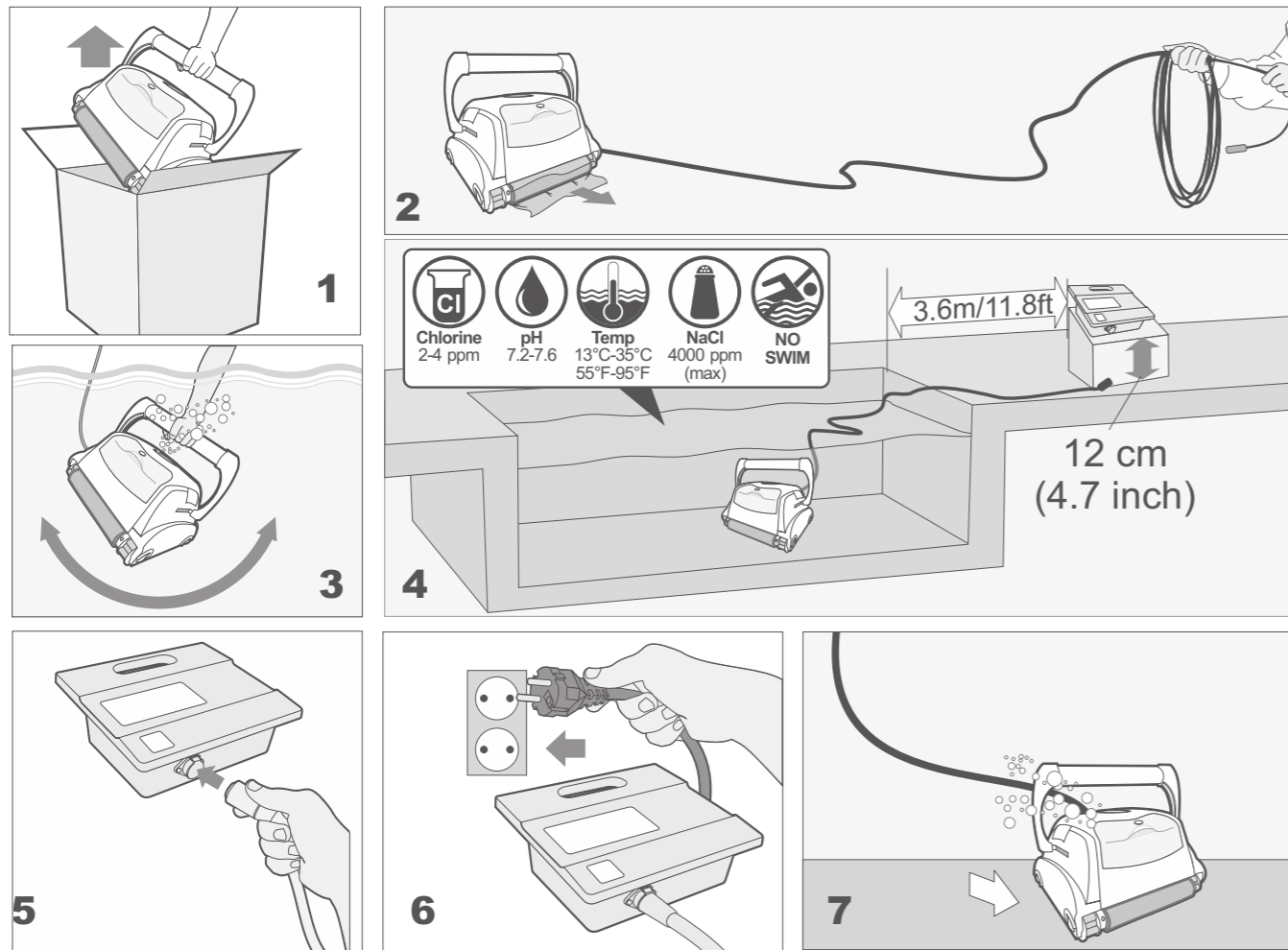
© NORSUP

Auflage: 11.2020

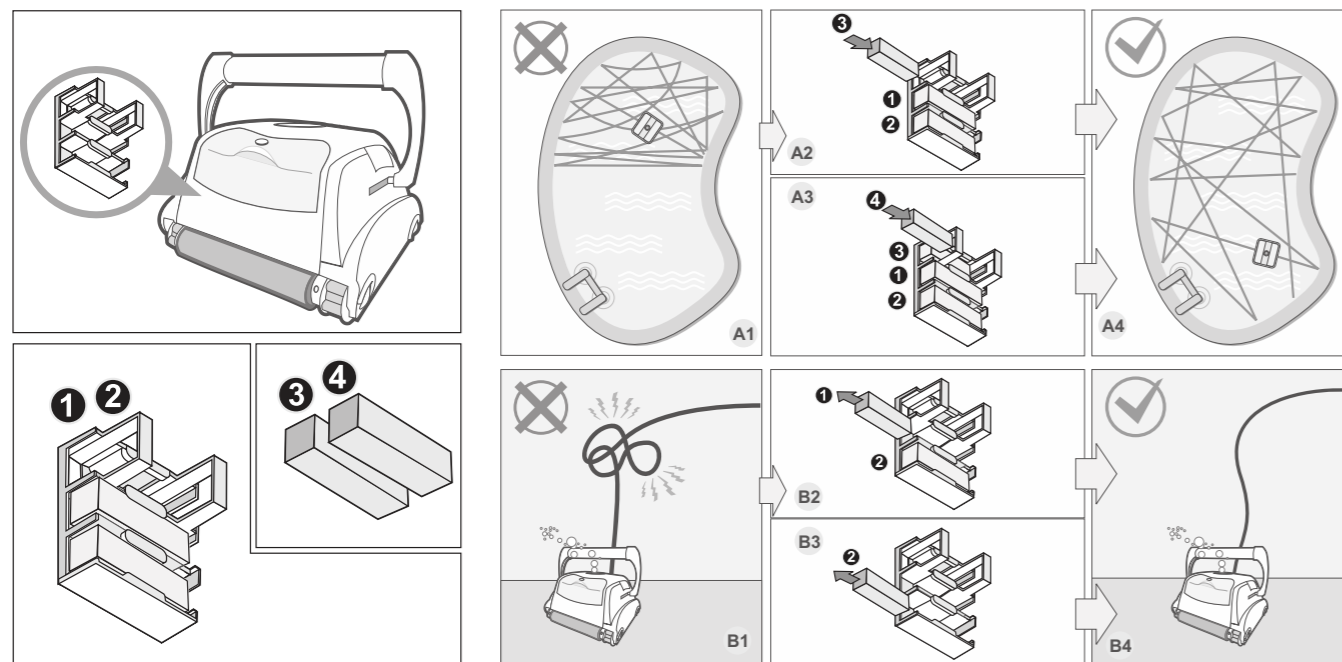


# AUTOMATISCHER SCHWIMMBECKENREINIGER ART CYCLONE

## 1. KURZANLEITUNG



## 2. SCHWIMMENDE SCHAUM INSTALLATION



# AUTOMATISCHER SCHWIMMBECKENREINIGER ART CYCLONE

## 3. WICHTIGE SICHERHEITSHINWEISE

### BITTE LESEN UND BEFOLGEN SIE ALLE ANWEISUNGEN

**ACHTUNG:** Schließen Sie die Stromversorgung nicht an eine geerdete Steckdose an oder schalten Sie nicht den Schwimmbeckenreiniger auf "ON (AN)", wenn er nicht vollständig im Wasser eingetaucht ist. Das Betätigen des Reinigers außerhalb des Wassers führt sofort zu ernsthaften Schäden und zum Verlust der Garantie.

Belassen Sie den Reiniger im Schwimmbecken zwischen 15 und 20 Minuten bis zum Ende seines Reinigungszyklus. Dadurch werden die Motoren ausreichend gekühlt. Belassen Sie den Reiniger aber nicht die ganze Zeit im Schwimmbecken. Denken Sie immer daran, die Stromversorgung auf "OFF (AUS)" zu schalten und den Stromanschluss aus der Netzsteckdose zu ziehen, bevor Sie den Reiniger aus dem Schwimmbecken entfernen.

### VORSICHT:

Verwenden Sie Ihren Reiniger nur für Schwimmbecken und verwenden Sie ihn nicht, während sich Menschen im Wasser befinden.

### Sicherheitshinweis

- Das Gerät muss mit einem Fehlerstromschutzschalter (RCD) ausgestattet sein, der einen restlichen Nennbetriebsstrom von 30 mA nicht überschreitet.
- Der Anschluss zum Abzweigstromkreis sollte mit den örtlichen und nationalen Verdrahtungsvorschriften (Sicherheitsstandard für Elektroinstallationen) übereinstimmen.
- Falsche Bedienung des Gerätes kann zum Auslaufen von Schmiermitteln führen.
- Sollte das Netzkabel beschädigt sein, muss es von einem Wartungsservice des Herstellers oder einer qualifiziert ausgebildeten Person ersetzt werden, um Gefahren zu vermeiden.



Der Umgang mit diesem Elektrogerät ist für Personen (einschließlich Kinder) mit körperlichen, sensorischen oder geistigen Einschränkungen, oder mit mangelnden Erfahrungen und Kenntnissen nicht geeignet, außer wenn sie beim Umgang mit dem Gerät von einer für ihre Sicherheit verantwortlichen Person beaufsichtigt und angeleitet werden. Kinder sollten beaufsichtigt werden, um das Spielen mit dem Elektrogerät zu verhindern.

### VORSICHT

Ein Erdschlussstromunterbrecher (GFCI-USA) oder ein Fehlerstromschutzschalter (RCD-EUROPE) muss installiert werden, um Ihre Steckdose zu schützen und mögliche Stromschläge zu verhindern.

**BEWAHREN SIE DIESE ANWEISUNGEN**

### Erdung

Das Netzteil muss an eine geerdete 3-adrige Steckdose angeschlossen werden. Der Netzanschluss muss an einem GFCI/RCD (FI-Schutzschalter) angeschlossen sein, der einen bestimmten Differenzstrom von nicht mehr als 30 mA überschreitet.

### Sicherung

Die Sicherung sollte nur von einem autorisierten Kundendienstmitarbeiter oder einem qualifizierten Techniker ersetzt werden. Ersetzen Sie die Sicherung nur mit demselben Typ und derselben Absicherung für den fortlaufenden Schutz gegen Brandgefahr.

### Wartung und Sicherheit

Die Abdeckung sollte nur von einem autorisierten Kundendienstmitarbeiter oder einem qualifizierten Techniker entfernt werden. Kein(e) interne Einstellung oder Komponentenaustausch sollte vom Benutzer durchgeführt werden. Das Netzkabel muss vor dem Entfernen der Abdeckung von der Steckdose getrennt werden. Wenn das Netzanschlusskabel beschädigt ist, muss es durch einen autorisierten Kundendienstmitarbeiter oder qualifizierten Techniker ersetzt werden. Bedienen Sie das Gerät nicht, wenn das Kabel beschädigt ist.

### Äußere Bedingungen

Das Netzteil wird so konzipiert, um im Innen- und Außenbereich zu funktionieren. Jedoch sollte die Einheit keinem direkten Sonnenlicht oder Wasser ausgesetzt sein und in keiner Umgebungstemperatur von über 40° C bedient werden.

## 4. EINFÜHRUNG

### 4.1 SYSTEMÜBERSICHT

Der robotische Reiniger säubert den Boden und die Wände des Schwimmbeckens, um Schmutz und Verunreinigung in seinen internen Filtern zu sammeln. Diese Bedienungsanleitung erklärt, wie man den robotischen Reiniger einschließlich Reinigung, Wartung und Lagerung bedient.

### HINWEIS

Diese Anleitung bespricht mehrere Modelle von robotischen Reinigern. Einige Variationen von Komponenten sind gemäß dem spezifischen Modell vorhanden.

### 4.2 Wie der Robotische Reiniger Ihr Schwimmbecken reinigt

Nachdem der robotische Reiniger im Schwimmbecken platziert und aktiviert wurde, arbeitet er das Programm ab, das auf der Strom- und Steuereinheit eingestellt wurde. Der robotische Reiniger bewegt sich entlang des Bodens und der Wände des Schwimmbeckens, um den vollständigen Bereich abzudecken. Wenn der robotische Reiniger sein Programm beendet hat, verbleibt er inaktiv auf dem Schwimmbeckenboden.

### HINWEIS

Das Wändeklettern ist eine optionale Funktion. Ist die Wändekletter-Funktion aktiviert, steigt der robotische Reiniger in Intervallen die Wand hoch, die durch sein internes Programm festgelegt wurden. Die Fähigkeit des Reinigers im Schwimmbecken über Stufen zu klettern, hängt von der Stufengeometrie und dem Material ab.

# AUTOMATISCHER SCHWIMMBECKENREINIGER ART CYCLONE

## 4.3 Betriebsbedingungen

Der robotische Reiniger ist ausschließlich für den Einsatz in Schwimmbecken unter folgenden Bedingungen geeignet:

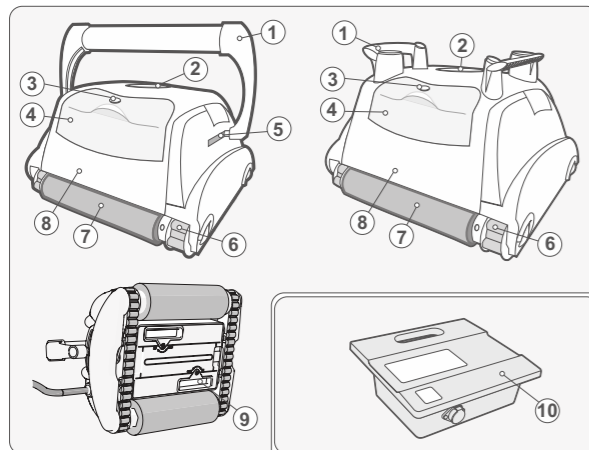
- Temperaturen von 13 °C - 35 °C (55 °F - 95 °F), empfohlene Temperatur zwischen 22 °C - 32 °C (72 °F - 90 °F).
- Wasser pH : 7,2 - 7,6
- Chlorgehalt: das Schwimmbecken wird entsprechend der Herstellerangaben instandgehalten.

## HINWEIS

Werden diese empfohlenen Betriebsbedingungen für das Schwimmbecken nicht eingehalten, könnte der robotische Reiniger nicht richtig funktionieren.

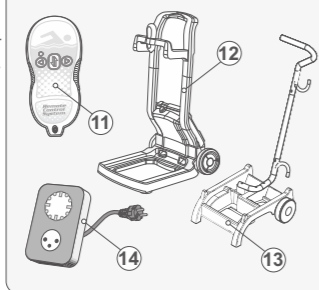
## 5. KOMPONENTEN

### 5.1. DER ROBOTISCHE REINIGER



1. Griff
2. Auslassdeckel
3. Entriegelung für den Filter
4. Oberer Zugang zum Filter
5. Verriegelungsmechanismus des Griffs
6. Antriebsführung
7. Reinigungsbürste
8. Gerätegehäuse
9. Saugöffnung
10. Netzteil

### Optional

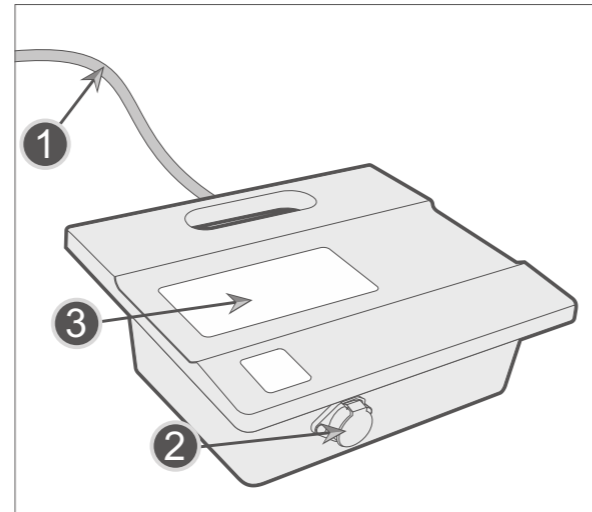


- Optional**
11. Fernbedienung
  12. Transportbehälter
  13. Transportwagen
  14. Externer Timer (separat verkauft)

### 5.2. STROM- UND STEUERINHEIT

Die Strom- und Steuereinheit ist mit dem robotischen Reiniger durch ein Schwimmkabel verbunden. Das Gerät wird mit Wechselstrom (1) gespeist und versorgt den Reiniger mit Niederspannung und Befehlen aus der

Steckdose (2). Es besitzt eine Steuerkonsole (3) mit verschiedenen Steuerfunktionen, um den robotischen Reiniger zu bedienen.



### Inhalt der Verpackung

Der robotische Reiniger befindet sich in einer Verpackung mit folgendem Inhalt:

- Robotischer Reiniger und Schwimmkabel
- Strom- und Steuereinheit
- Bedienungsanleitung

Gemäß dem gekauften Modell können folgende Zubehörteile im Paket enthalten sein:

- Fernbedienung
- Transportbehälter
- Transportwagen
- Weiteres Zubehör

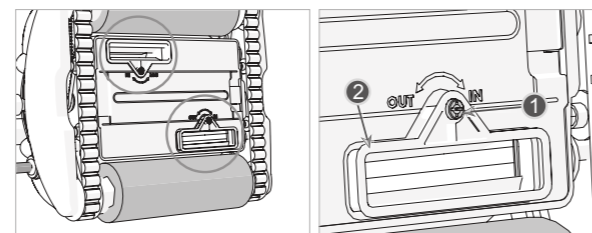
## 6. BETRIEB

### 6.1. VOR DER ERSTEN INBETRIEBNAHME

Einstellung der Saughöhe: Die Positionierung der Saugöffnung (2) nahe der Schwimmbecken-Oberfläche erhöht die Saugleistung und die Reinigungsqualität. Das Senken der Saugöffnung könnte zur Interferenz mit Hindernissen auf dem Boden oder den Wänden des Schwimmbeckens führen.

Verwenden Sie einen Schraubenzieher, um den Einstellknopf der Saugöffnung (1) zu justieren.

- IN – bewegt die Saugöffnung von der Schwimmbecken-Oberfläche weg und vermindert die Saugleistung.
- OUT – bewegt die Saugöffnung näher zur Schwimmbecken-Oberfläche und erhöht die Saugleistung.

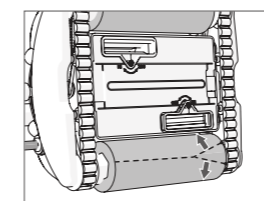
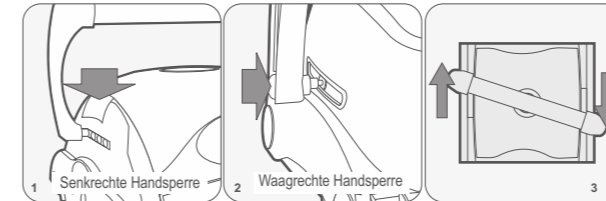


# AUTOMATISCHER SCHWIMMBECKENREINIGER ART CYCLONE

### Einstellung des Gleitgriffs

Einstellung des Gleitgriffs bei Modellen mit Wändekletterfunktion:

1. Drücken Sie die Verriegelungstaste (1 oder 2 gemäß Modell), um den Verriegelungsgriff zu lösen.
2. Platzieren Sie den Griff (3) diagonal an der maximalen Position.
3. Wiederholen Sie die Schritte 1 und 2 auf der anderen Seite des Reinigers.

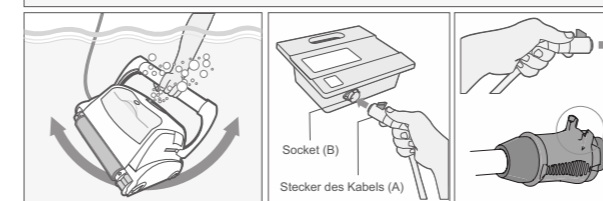
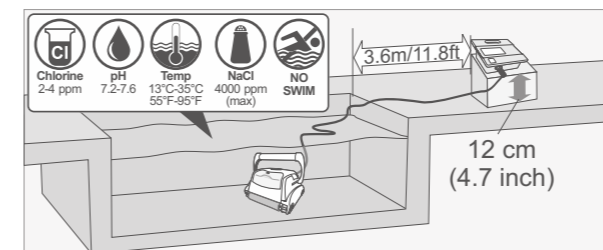


### Entfernen der Bürstenabdeckungen

Der robotische Reiniger wird mit einer Schutzabdeckung auf den Reinigungsbürsten versendet. Entfernen Sie vorsichtig die Nylonhüllen von den Reinigungsbürsten.

## VORSICHTS MASSNAHMEN

Verwenden Sie keine scharfen Werkzeuge, um die Abdeckung zu entfernen, da sonst die Bürsten beschädigt werden könnten.



### Platzierung der Strom- und Steuereinheit

4. Platzieren Sie die Strom- und Steuereinheit mindestens 3,6 Meter/11,8 Fuß vom Schwimmbecken und mindestens 12 cm/4 Zoll über der Oberfläche.

## VORSICHTS MASSNAHMEN

Die Strom- und Steuereinheit sollte keinem direkten Sonnenlicht oder Wasser ausgesetzt sein

5. Lösen Sie das Schwimmkabel vom den Plastikbändern, die die Kabel während des Versandes sichern, indem Sie die Plastikschnapper auf den Bändern drücken.

### Bevor Sie den Reiniger ins Wasser lassen:

1. Achten Sie darauf, dass sich keine Personen im Schwimmbecken befinden.
2. Achten Sie darauf, dass die Filter sauber sind.
3. Achten Sie auf die Einhaltung der Bedingungen für Schwimmbecken; (siehe "Betriebsbedingungen").

### 6.2. ABSETZEN DES REINIGERS INS WASSER

1. Rollen Sie das Schwimmkabel ab. Es wird empfohlen, die Kabellänge zu verlängern, damit sie der Schwimmbeckendiagonale plus 2 Meter entspricht.
2. Setzen Sie den Reiniger im Schwimmbecken ab.
3. Lassen Sie den Reiniger auf den Grund des Schwimmbeckens sinken. Fangen Sie nicht mit dem Betrieb an, bevor sich der robotische Reiniger auf den Schwimmbeckenboden abgesetzt hat.
4. Verteilen Sie das Schwimmkabel über das Schwimmbecken. Achten Sie darauf, dass nur die erforderliche Kabellänge über das Schwimmbecken verteilt wird. Glätten Sie Windungen oder Verdrehungen im Kabel. Rollen Sie Extrakabel außerhalb des Schwimmbeckens in der Nähe von der Strom- und Steuereinheit auf.
5. Verbinden Sie das Schwimmkabel (A) mit der Anschlussbuchse (B) auf der Strom- und Steuereinheit.

## VORSICHTS MASSNAHMEN

Das Betätigen des Roboters außerhalb des Wassers führt sofort zu ernsthaften Schäden und zum Verlust der Garantie.

## AUTOMATISCHER SCHWIMMBECKENREINIGER ART CYCLONE

### 6.3. INBETRIEBNAHME DES ROBOTISCHEN REINIGERS

Schließen Sie die Strom- und Steuereinheit an die Steckdose an. Die Betriebs-LED (1) leuchtet auf und der robotische Reiniger fängt mit seinem Reinigungsprogramm an..

Wenn die Strom- und Steuereinheit bereits an die Netzsteckdose angeschlossen ist, blinkt die Betriebs-LED (5) auf, um anzuzeigen, dass der robotische Reiniger im Standby-Modus ist.

Drücken Sie die Bedientaste (6). Die Betriebs-LED leuchtet auf und der robotische Reiniger fängt mit seinem Reinigungsprogramm an.“

### HINWEIS

Wenn die LED „Filter überprüfen“ aufleuchtet, müssen die Filter des robotischen Reinigers im Schwimmbecken gereinigt werden, bevor Sie den Reiniger ins Wasser lassen. Die LED „Filter überprüfen“ ist in einigen Modellen optional.

### 6.4. REINIGUNGSZYKLUS

Während des Reinigungszyklus sollte der robotische Reiniger:

- Über den Schwimmbeckenboden laufen, um Schmutz und Verunreinigungen aufzusammeln.
- Automatisch gemäß dem ausgewählten Programm lenken und drehen.
- Schwimmbeckenwände alle paar Minuten hochklettern, wie in seinem internen Programm eingestellt.

### HINWEIS

Der robotische Reiniger könnte gelegentlich aufhören, sich für paar Sekunden zu bewegen. Das ist ein Teil des Normalbetriebes, keine Fehlfunktion.

### 6.5. DEN BETRIEB DES ROBOTISCHEN REINIGERS ANHALTEN

Der robotische Reiniger geht automatisch nach jedem Reinigungszyklus in STANDBY und die Betriebs-LED (5) blinkt auf.

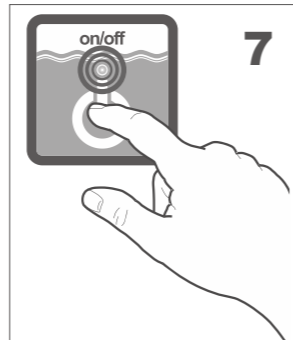
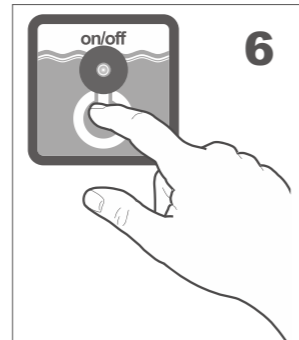
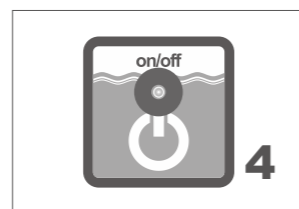
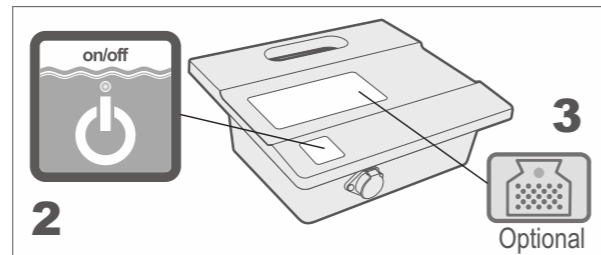
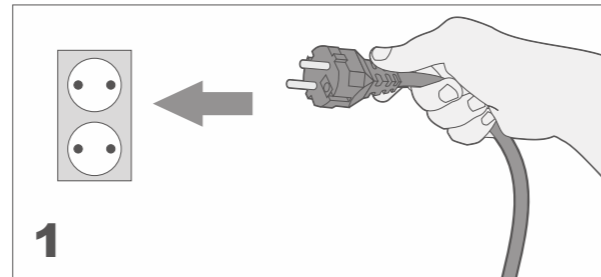
Um den Reinigerbetrieb während eines Reinigungszyklus anzuhalten, drücken Sie die Bedienungstaste (7) einmal. Die Betriebs-LED (7) blinkt auf und der Reiniger ist im Standby Modus.

### 6.6. DEN REINIGER AUS DEM WASSER ZIEHEN

1. Trennen Sie das Schwimmkabel von der Strom- und Steuereinheit.
2. Ziehen Sie am Schwimmkabel den Reiniger näher heran, bis man den Griff fassen kann.
3. Heben Sie den Reiniger am Griff aus dem Schwimmbecken.

### VORSICHTSMASSNAHMEN ⚠

Verwenden Sie nicht das Schwimmkabel, um den Reiniger aus dem Wasser zu heben.



## AUTOMATISCHER SCHWIMMBECKENREINIGER ART CYCLONE

### 7. WARTUNG

#### 7.1. REINIGUNG DER FILTER

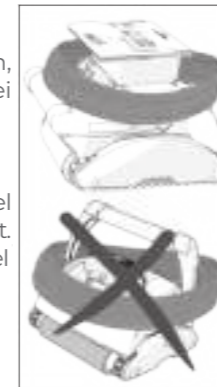
Die zwei Filter müssen nach jedem Reinigungszyklus gereinigt werden.

1. Lösen Sie den Filter und ziehen Sie ihn aus dem Reiniger.
2. Ziehen Sie die Filtertür (2) gegen das Filtergehäuse (2), um den Filterkasten zu öffnen.
3. Sprühen Sie Wasser auf den Außenseiten (1) und danach auf die Innenseite (3) des Filters, um sämtlichen Schmutz und Verunreinigungen zu entfernen.
4. Prüfen Sie, ob der kleine Plastikverschluss (2) an der richtigen Stelle und nicht beschädigt ist.
5. Schließen Sie den Filter.
6. Setzen Sie den Filter zurück in seine Position ein, bis ein Klicken zu hören ist, um sicherzustellen, dass der Filter an der richtigen Stelle ist.
7. Wiederholen Sie den Reinigungsvorgang für den zweiten Filter.

#### 7.2. LAGERUNG DES ROBOTISCHEN REINIGERS

Befolgen Sie diese Anweisungen, um den robotischen Reiniger bei Nichtverwendung zu lagern:

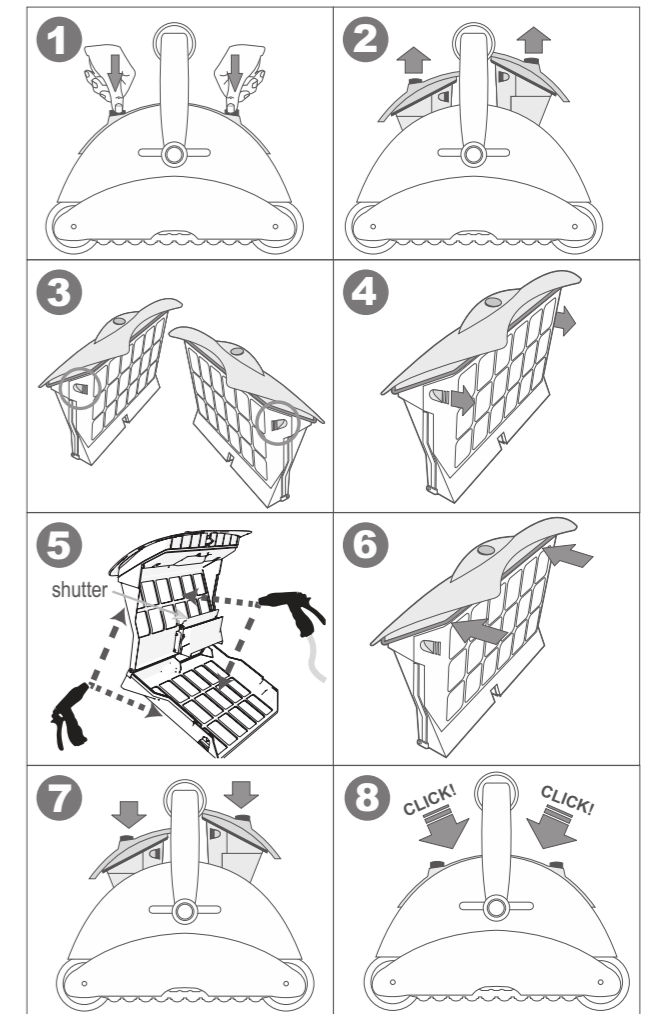
1. Ziehen Sie das Netzkabel aus der Steckdose.
2. Trennen Sie das Schwimmkabel von der Strom- und Steuereinheit.
3. Verteilen Sie das Schwimmkabel und lösen Sie sämtliche Verdrehungen im Kabel.
4. Waschen Sie den Innenraum des Reinigers mit frischem Wasser und lassen Sie ihn trocknen.
5. Rollen Sie das Schwimmkabel auf und legen Sie es auf den Reiniger.



### VORSICHTS MASSNAHMEN ⚠

Rollen Sie das Schwimmkabel nicht auf dem Griff des Reinigers auf.

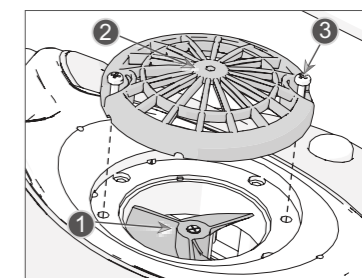
6. Lagern Sie die Reiniger-Komponenten in einem trockenen, geschlossenen Ort.
7. Überprüfen Sie, dass die Strom- und Steuereinheit keinem Wasser ausgesetzt ist.



#### 7.3. ÜBERPRÜFEN DES WASSERAUSLASS-PROPELLERS

Es wird empfohlen, regelmäßig Verunreinigungen und Haare vom Propeller des Wasserauslasses zu entfernen:

1. Entfernen Sie die Schrauben (3), um die Abdeckung des Wasserauslasses (2) zu lösen.
2. Entfernen Sie die Abdeckung des Wasserauslasses
3. Reinigen Sie diesen von Haaren, Schmutz oder Verunreinigungen.
4. Prüfen Sie nach, dass der Propeller (1) nicht beschädigt ist.
5. Bringen Sie die Abdeckung (2) wieder an und befestigen Sie diese mit den Schrauben (3).



# AUTOMATISCHER SCHWIMMBECKENREINIGER ART CYCLONE

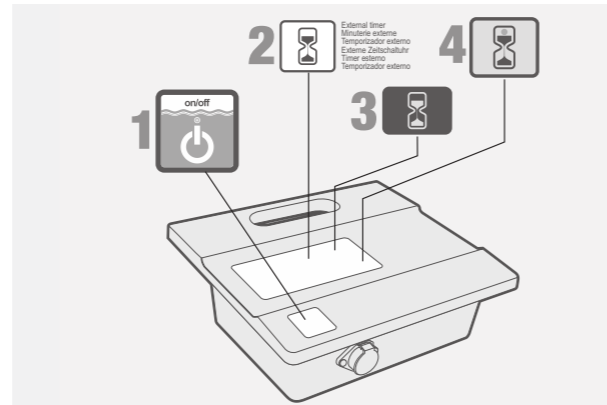
## 8. PROGRAMMIEROPTIONEN

Dieses Kapitel bespricht die Programmieroptionen. Überspringen Sie dieses Kapitel, wenn Ihr Modell nicht programmierbar ist, oder wenn der robotische Reiniger bereits programmiert ist.

### 8.1. STEUERKONSOLE

Die Steuerkonsole besteht aus:

- On/Off (Ein-/Ausschalttaste) (1) – startet und stoppt den Betrieb des robotischen Reinigers.
- Funktionsbeschreibung (2) – beschreibt die Funktion
- Steuertasten (3) – blau markiert, aktivieren die ausgewählte Funktion.
- Status-Anzeige (4) – LED-Anzeige leuchtet auf, um die ausgewählte Option oder den Reiniger-Zustand anzuzeigen



# Aquacontrol

check filter  
chèque filtre  
filter überprüfen  
controllare il sacchetto filtrante  
revise el filtro

cleaning time  
temps de nettoyage  
reinigungszeit  
tempo di pulizia  
tiempo de limpieza

2.0H

1.5H

## SPS 100

**Aquacontrol**

- Cleaning program  
Mode nettoyage  
Programa de limpieza  
Reinigungsprogramm  
Programma di pulizia  
Programa de limpeza
- Internal timer  
Minuterie interne  
Temporizador interno  
Interne Zeitschaltuhr  
Timer interno  
Temporizador interno
- Check filter  
Vérifiez le filtre  
Revise el filtro  
Filter überprüfen  
Controllare il sacchetto filtrante  
Verifique o Filtro
- External timer  
Minuterie externe  
Temporizador externo  
Externe Zeitschaltuhr  
Timer esterno  
Temporizador externo

PROGRAM 03	96h	
PROGRAM 02	72h	
PROGRAM 01	48h	

**SPS 200**

# AUTOMATISCHER SCHWIMMBECKENREINIGER ART CYCLONE

**Aquacontrol**

- Swivel  
Pivot  
Swivel  
Drehlager  
Manopola di disattorcigliamento  
Swivel
- Cleaning program  
Mode nettoyage  
Programa de limpieza  
Reinigungsprogramm  
Programma di pulizia  
Programa de limpeza
- Internal timer  
Minuterie interne  
Temporizador interno  
Interne Zeitschaltuhr  
Timer interno  
Temporizador interno

**Aquacontrol**

- Auto detect  
Auto detection  
Automatische Erkennung  
Auto diagnosi  
Detección automática
- Swivel  
Pivot  
Swivel  
Drehlager  
Manopola di disattorcigliamento  
Swivel
- Internal timer  
Minuterie interne  
Temporizador interno  
Interne Zeitschaltuhr  
Timer interno  
Temporizador interno
- External timer  
Minuterie externe  
Temporizador externo  
Externe Zeitschaltuhr  
Timer esterno  
Temporizador externo

**Aquacontrol**

- Pool shape  
Forme de piscine  
Forme de la piscine  
Beckenform  
Forma piscina  
Forma da piscina
- Cleaning program  
Mode nettoyage  
Programa de limpieza  
Reinigungsprogramm  
Programma di pulizia  
Programa de limpeza
- Check filter  
Vérifiez le filtre  
Revise el filtro  
Filter überprüfen  
Controllare il sacchetto filtrante  
Verifique o Filtro

HIGH

NORMAL

PROGRAM 03

PROGRAM 02

PROGRAM 01

96h

72h

48h

## SPS 300

**Aquacontrol**

- Auto detect  
Auto detection  
Automatische Erkennung  
Auto diagnosi  
Detección automática
- Swivel  
Pivot  
Swivel  
Drehlager  
Manopola di disattorcigliamento  
Swivel
- Internal timer  
Minuterie interne  
Temporizador interno  
Interne Zeitschaltuhr  
Timer interno  
Temporizador interno
- External timer  
Minuterie externe  
Temporizador externo  
Externe Zeitschaltuhr  
Timer esterno  
Temporizador externo

**Aquacontrol**

- Auto detect  
Auto detection  
Automatische Erkennung  
Auto diagnosi  
Detección automática
- Swivel  
Pivot  
Swivel  
Drehlager  
Manopola di disattorcigliamento  
Swivel
- Internal timer  
Minuterie interne  
Temporizador interno  
Interne Zeitschaltuhr  
Timer interno  
Temporizador interno
- External timer  
Minuterie externe  
Temporizador externo  
Externe Zeitschaltuhr  
Timer esterno  
Temporizador externo

**Aquacontrol**

- Pool shape  
Forme de piscine  
Forme de la piscine  
Beckenform  
Forma piscina  
Forma da piscina
- Cleaning program  
Mode nettoyage  
Programa de limpieza  
Reinigungsprogramm  
Programma di pulizia  
Programa de limpeza
- Check filter  
Vérifiez le filtre  
Revise el filtro  
Filter überprüfen  
Controllare il sacchetto filtrante  
Verifique o Filtro

HIGH

NORMAL

PROGRAM 03

PROGRAM 02

PROGRAM 01

96h

72h

48h

## SPS 400

**Aquacontrol**

- Auto detect  
Auto detection  
Automatische Erkennung  
Auto diagnosi  
Detección automática
- Swivel  
Pivot  
Swivel  
Drehlager  
Manopola di disattorcigliamento  
Swivel
- Cleaning Level  
Niveau de Nettoyage  
Nível de Limpeza  
Reinigungsstufe  
Livello di Pulizia  
Nível de Limpeza
- Delay  
Retard  
Retrasar  
Verzögerung  
Ritardo  
Atrasar

**Aquacontrol**

- Auto detect  
Auto detection  
Automatische Erkennung  
Auto diagnosi  
Detección automática
- Swivel  
Pivot  
Swivel  
Drehlager  
Manopola di disattorcigliamento  
Swivel
- Internal timer  
Minuterie interne  
Temporizador interno  
Interne Zeitschaltuhr  
Timer interno  
Temporizador interno
- External timer  
Minuterie externe  
Temporizador externo  
Externe Zeitschaltuhr  
Timer esterno  
Temporizador externo

**Aquacontrol**

- Pool shape  
Forme de piscine  
Forme de la piscine  
Beckenform  
Forma piscina  
Forma da piscina
- Cleaning program  
Mode nettoyage  
Programa de limpieza  
Reinigungsprogramm  
Programma di pulizia  
Programa de limpeza
- Check filter  
Vérifiez le filtre  
Revise el filtro  
Filter überprüfen  
Controllare il sacchetto filtrante  
Verifique o Filtro

HIGH

NORMAL

PROGRAM 03

PROGRAM 02

PROGRAM 01

96h

72h

48h

## SPS 500

## AUTOMATISCHER SCHWIMMBECKENREINIGER ART CYCLONE

### 8.2. EINBLENDUNGSTASTEN

#### MODELL

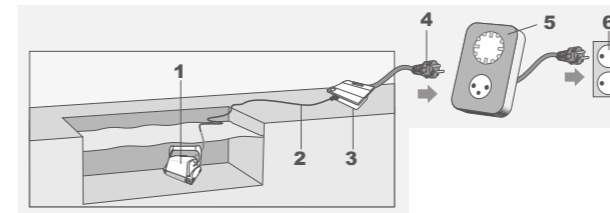
100/200 300/400 500		<b>Filter überprüfen</b> – Das Aufleuchten der Lampe bedeutet, dass der Filterbeutel ordnungsgemäß entfernt, gereinigt und wieder in den Roboter eingesetzt werden muss, um effizient zu arbeiten. Bei den Modellen 300, 400, 500 hört der robotische Reiniger auf die Wände hochzuklettern, sobald "Filter überprüfen" aufleuchtet.
100		<b>Reinigungszeit</b> - Zeit, die zur Reinigung des Schwimmbeckens benötigt wird. Drücken Sie die Taste, um die gewünschte Zeit einzustellen. Ein rotes Licht wird Ihre Wahl anzeigen. <b>Diese Funktion ist nur wählbar, wenn das Netzteil im Standby-Modus befindet</b>
200 300/400		<b>Interner Timer - Automatische Betriebsoption:</b> Alle 48 Stunden Alle 72 Stunden Alle 96 Stunden
200/300		<b>Auswahl für Reinigungsprogramm:</b> Programm 01 – 1 Stunde für Boden- und Wandreinigung. Programm 02 – 1,5 Stunden für Boden- und Wandreinigung. Programm 03 – 2 Stunden für Boden- und Wandreinigung.
400		<b>Auswahl für Reinigungsprogramm:</b> Programm 01 – 1,5 Stunden für Boden Programm 02 – 2 Stunden für Boden- und Wandreinigung. Programm 03 – 2,5 Stunden für Boden- und Wandreinigung.
500		<b>Auswahl für Reinigungsprogramm:</b> Program 01 – 2 Stunden für Boden Program 02 – 4 Stunden für Boden- und Wandreinigung. (auf einigen Modellen ist keine Wandreinigungsfunktion verfügbar) Program 03 – 5 Stunden für Boden- und Wandreinigung. (auf einigen Modellen ist keine Wandreinigungsfunktion verfügbar)
200 300/400		<b>Externer Timer</b> – Diese Funktion ermöglicht dem Endbenutzer, den Reinigungsplan mithilfe eines externen Timers (separat verkauft) zu programmieren. Das Drücken dieser Taste aktiviert und deaktiviert diese Funktion.
300/400 500		<b>Swivel</b> – stellt die Anzahl der Wenden im Schwimmbecken für den Roboter passend ein. Normal – Normalbetrieb High – Verschiedene Wendezahlen
400/500		<b>Auto-Detect (autom. Erkennung):</b> diese Funktion verhindert, dass der Roboter nicht an Hindernissen im Schwimmbecken stecken bleibt wie Hauptabflussleitungen, Stufen, Leitern usw. Drücken Sie diese Taste, um eine der folgenden Optionen zu wählen:  <b>Auto-Detect - OFF (AUS).</b> Diese Option sollte ausgewählt werden, wenn Ihr Schwimmbeckenreiniger in der Mitte des Schwimmbeckens die Richtung ändert, ohne auf Hindernisse zu treffen.  <b>Auto-Detect - ON (AN).</b> Der Schwimmbeckenreiniger sollte die Richtung ändern, sobald er auf Hindernisse trifft. Wählen Sie diese Option, wenn im Schwimmbecken Hindernisse vorhanden sind, so wie bei Bodenreinigungssystemen, Hauptabflussleitungen und Leitern.
400/500		<b>Schwimmbeckenumriss:</b> Damit kann der Roboter das effizienteste Reinigungsmuster für das ausgewählte Schwimmbeckenformat berechnen. Drücken Sie die Taste, um die passendste Zeichnung auszuwählen, die zum Umriss des Schwimmbeckens passt. Ein rotes Licht zeigt Ihre Auswahl an.
500		<b>Reinigungsstufe – Ändern Sie die Reinigungsleistung</b>  Schnell: Auswählen, wenn Ihr Schwimmbecken gering verschmutzt ist.  Regelmäßig: Für die tägliche Wartung auswählen.  Gründlich: Auswählen, wenn Ihr Schwimmbecken stark verschmutzt ist.
500		<b>Verzögerung</b> Wenn die Option eingeschaltet ist, fängt der Roboter nach 2 Stunden Verzögerung an zu arbeiten. Mit dieser Funktion können Verunreinigungen und Staub auf den Boden sinken, bevor der Roboter mit der Arbeit anfängt.

## AUTOMATISCHER SCHWIMMBECKENREINIGER ART CYCLONE

### 8.3. VERWENDUNG EINES EXTERNEN TIMERS

(Optional, sollte separat gekauft werden)

Ein externer Timer kann zur automatischen Aktivierung des Reinigers für eine voreingestellte Zeit verwendet werden. Der externe Timer sollte zwischen der Steckdose und der Strom- und Steuereinheit angeschlossen sein.



1. Unit
2. Kabel
3. Stromversorgung
4. Trafostecker
5. Externe Timer (sollte separat gekauft werden)
6. Auslauf

### 9. FEHLERBESEITIGUNG

#### DER REINIGER IST NICHT ANGESCHALTET (ON).

**Die Steckdose wird nicht mit Strom versorgt.**

1. Trennen Sie den Reiniger von der Strom- und Steuereinheit.
2. Trennen Sie die Stromversorgung von der Steckdose, warten Sie 30 Sekunden und schließen Sie diese erneut an.
3. Schalten Sie die Stromzufuhr an (ON). Falls nicht aktiviert, schließen Sie das Gerät an eine andere Steckdose an.

**Das Schwimmkabel ist nicht ordnungsgemäß an die Strom- und Steuereinheit angeschlossen.**

Schließen Sie das Schwimmkabel erneut an die Strom- und Steuereinheit an.

**Hindernis im Antriebssystem des Roboters.**

1. Drehen Sie den Reiniger vorsichtig um, um die Unterseite zu prüfen.
2. Drehen Sie die Antriebsführungen und Reinigungsbürsten per Hand. Sie sollten sich drehen, aber nicht locker sein.
3. Reinigen und entfernen Sie ggf. Hindernisse und Verunreinigungen.

**Der Propeller sitzt aufgrund von Haaren oder Verunreinigungen fest.**

Überprüfen Sie, ob der Propeller beschädigt ist oder gereinigt werden muss (siehe "Überprüfen des Wasserauslass-Propellers").

#### DER REINIGER BEWEGT SICH, ABER PUMPT KEIN WASSER:

**Die Filter sind schmutzig.**

1. Entfernen Sie die Filter.
2. Lassen Sie den robotischen Reiniger ohne Filter im Schwimmbecken laufen. Bei einwandfreier Funktionstüchtigkeit ersetzen oder reinigen Sie die Filter sorgfältig.

**Der Propeller sitzt aufgrund von Haaren oder Verunreinigungen fest oder ist beschädigt.**

Überprüfen Sie, ob der Propeller beschädigt ist oder gereinigt werden muss (siehe "Überprüfen des Wasserauslass-Propellers").

#### DER REINIGER PUMPT WASSER, ABER BEWEGT SICH NICHT.

**Hindernis im Antriebssystem des Roboters.**

1. Drehen Sie den Reiniger vorsichtig um, um die Unterseite zu prüfen.
2. Drehen Sie die Antriebsführungen und Reinigungsbürsten per Hand. Sie sollten sich drehen, aber nicht locker sein.
3. Reinigen und entfernen Sie ggf. Hindernisse und Verunreinigungen.

#### REINIGER STARTET UND SCHALTET NACH EINER KURZEN ZEIT AB.

**Die Filter sind schmutzig.**

1. Entfernen Sie die Filter.
2. Lassen Sie den robotischen Reiniger ohne Filter laufen. Bei einwandfreier Funktionstüchtigkeit ersetzen oder reinigen Sie die Filter sorgfältig.

**Der Propeller sitzt aufgrund von Haaren oder Verunreinigungen fest oder ist beschädigt.**

1. Entfernen Sie die oberen Schrauben am oberen Auslass.
2. Überprüfen Sie, ob der Propeller beschädigt ist oder gereinigt werden muss.

**Hindernis im Antriebssystem des Roboters.**

1. Drehen Sie den Reiniger vorsichtig um, um die Unterseite zu prüfen.
2. Drehen Sie die Antriebsführungen und Reinigungsbürsten per Hand. Sie sollten sich drehen, aber nicht locker sein.
3. Reinigen und entfernen Sie ggf. Hindernisse und Verunreinigungen.

#### DER REINIGER SAMMELT KEINEN SCHMUTZ AUF.

**Die Filter sind schmutzig oder haben Löcher.**

Reinigen Sie nach Bedarf und überprüfen Sie, ob keine Löcher in den Filtern sind.

**Der Propeller sitzt aufgrund von Haaren oder Verunreinigungen fest oder ist beschädigt.**

Überprüfen Sie, ob der Propeller beschädigt ist oder gereinigt werden muss (siehe "Überprüfen des Wasserauslass-Propellers").



## AUTOMATISCHER SCHWIMMBECKENREINIGER ART CYCLONE

**Die Saugöffnung ist nicht nahe genug am Schwimmbeckenboden.**

Ziehen Sie die Saugöffnung HERAUS (siehe "Einstellung der Saughöhe").

**VERUNREINIGUNG KOMMT AUS DEM GERÄT, WENN ES AUS DEM SCHWIMMBECKEN ENTFERNT WIRD.**

**Der Filterverschluss ist beschädigt oder fehlt.**

Öffnen Sie die Filter und überprüfen Sie, ob der Filterverschluss richtig funktioniert und nicht beschädigt ist (siehe "Reinigung der Filter")

**Löcher in den Filtern.**

Öffnen Sie die Filter und überprüfen Sie, ob keine Löcher im Filtersieb sind (siehe "Reinigung der Filter")

**Der Deckel des Unterteils ist nicht richtiggeschlossen.**

Achten Sie darauf, dass der Deckel des Unterteils richtig geschlossen ist.

**DER REINIGER SCHEINT NICHT DAS KOMPLETTE SCHWIMMBECKEN ZU REINIGEN.**

**Die Filter sind schmutzig.** Reinigen Sie die Filter.

**Die Länge des Schwimmkabels im Wasser ist nicht ausreichend, um das andere Ende des Schwimmbeckens zu erreichen, oder das Kabel ist verwickelt.**

1. Überprüfen Sie, ob die Länge des Schwimmkabels im Wasser ausreichend ist, um das andere Ende des Schwimmbeckens zu erreichen.
2. Achten Sie darauf, dass das Schwimmkabel ordnungsgemäß ausgebreitet und entwirrt ist.

**Der Winkel des Gleitgriffes beeinträchtigt die Bewegung des Reinigers.**

Erhöhen Sie den Diagonalwinkel des Gleitgriffs (siehe "Einstellung des Gleitgriffs").

**Der pH-Wert des Schwimmbeckens ist falsch.**

Achten Sie darauf, dass der pH-Wert zwischen 7,2 und 7,6 liegt.

**Der Chlorgehalt ist falsch.**

Überprüfen Sie die Chlorbehandlung des Wassers und korrigieren diese bei Bedarf (Entfernen Sie während der Behandlung den Reiniger aus dem Schwimmbecken).

**Der Propeller sitzt aufgrund von Haaren oder Verunreinigungen fest oder ist beschädigt.**

1. Entfernen Sie die oberen Schrauben am oberen Auslass.
2. Überprüfen Sie, ob der Propeller beschädigt ist oder gereinigt werden muss.

**Hindernis im Antriebssystem des Reinigers.**

1. Drehen Sie den Reiniger vorsichtig um, um die Unterseite zu prüfen.
2. Drehen Sie die Antriebsführungen und Reinigungsbürsten per Hand. Sie sollten sich drehen, aber nicht locker sein.
3. Reinigen und entfernen Sie ggf. Hindernisse und Verunreinigungen.

**DAS GERÄT STEIGT NICHT DIE WÄNDE HOCH.**

**Der Reiniger steigt nicht die Schwimmbeckenwände hoch.**

1. Überprüfen Sie, ob Ihr robotischer Reiniger nur ein Modell für die Bodenreinigung ist.
2. Prüfen Sie nach, dass PI, nur für Bodenreinigung, ist nicht auf der Strom- und Steuereinheit ausgewählt (siehe "Programmierung des robotischen Reinigers").

**Die Filter sind schmutzig.** Reinigen Sie die Filter.

**Der Propeller sitzt aufgrund von Haaren oder Verunreinigungen fest oder ist beschädigt.**

Überprüfen Sie, ob der Propeller beschädigt ist oder gereinigt werden muss (siehe "Überprüfen des Wasserauslass-Propellers").

**Der pH-Wert ist falsch.**

Achten Sie darauf, dass der pH-Wert zwischen 7,2 und 7,6 liegt.

**Der Chlorgehalt ist falsch.**

Überprüfen Sie die Chlorbehandlung des Wassers (entfernen Sie während der Behandlung den Reiniger aus dem Schwimmbecken).

**Die Wassertemperatur ist nicht optimal.**

Empfohlene Temperatur liegt zwischen 22 °C - 32 °C (72 °F - 90 °F).

**DAS KABELHAT SICH VERWICKELT.**

**Die Filter sind schmutzig.** Reinigen Sie die Filter.

**Der Deckel des Unterteils ist nicht richtiggeschlossen.**

Achten Sie darauf, dass der Deckel des Unterteils richtig geschlossen ist.

**Das Kabel ist nicht ausgebreitet, bevor der Reiniger im Schwimmbecken abgesetzt wurde.**

Achten Sie darauf, dass das Schwimmkabel ordnungsgemäß ausgebreitet und entwirrt ist, bevor Sie den Reiniger in Betrieb setzen.

**Die Kabellänge ist im Wasser zu lang.**

Überprüfen Sie, ob die Länge des Kabels im Wasser der Länge der Schwimmbeckendiagonale plus 2 Meter entspricht.

**Der Propeller sitzt aufgrund von Haaren oder Verunreinigungen fest oder ist beschädigt**

Überprüfen Sie, ob der Propeller beschädigt ist oder gereinigt werden muss (siehe "Überprüfen des Wasserauslass-Propellers").

**DIE FERNBEDIENUNG FUNKTIONIERT NICHT.**

**Die Batterie ist leer. LED blinkt oder ist abgeschaltet (OFF).**

Überprüfen Sie die Batterie, indem Sie eine der Tasten drücken. Das rote Licht auf der Fernbedienung blinkt oder leuchtet nicht ständig auf, wenn die Batterie leer ist. Setzen Sie sich mit einem Fachhändler oder Kundendienst in Verbindung.

## AUTOMATISCHER SCHWIMMBECKENREINIGER ART CYCLONE

**10. FERNBEDIENUNG**

Dieses Kapitel bespricht die Bedienung der optionalen Fernbedienung. Die Fernbedienung ist in einigen Modellen beigelegt.

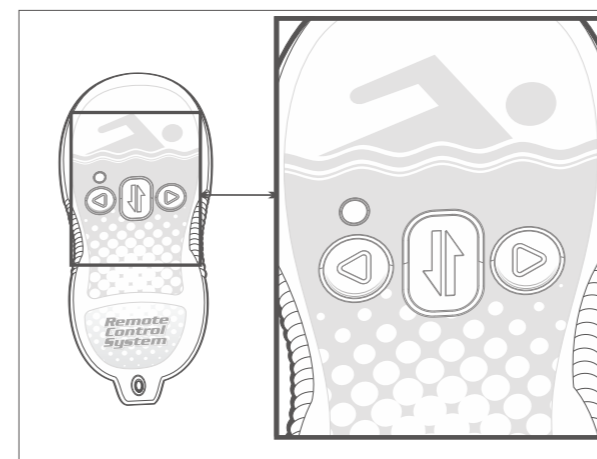
**10.1. ÜBERSICHT FERNBEDIENUNG**

Die Fernbedienung ist eine optionale Zusatzeinrichtung, die den robotischen Reiniger über ferngesteuerte Befehlstasten steuern kann. Wenn Sie die Fernbedienungstasten drücken, wird ein Funksignal an die Strom- und Steuereinheit übermittelt. Dieses Signal wird in einen Befehl umgewandelt und an den robotischen Reiniger über das Schwimmkabel gesendet.

**10.2. VERWENDUNG DER FERNBEDIENUNG**

1. Drücken Sie die rechte Taste (3), um den robotischen Reiniger nach rechts zu drehen. Der robotische Reiniger dreht sich solange nach rechts, bis die Taste losgelassen wird.
2. Drücken Sie die linke Taste (1), um den robotischen Reiniger nach links zu drehen. Der robotische Reiniger dreht sich solange nach links, bis die Taste losgelassen wird.
3. Drücken Sie die Taste Vorwärts/Rückwärts (2), um den robotischen Reiniger anzuhalten und seine Bewegungsrichtung zu ändern..

Die Fernbedienungs-LED leuchtet nach jedem Befehl auf. Wenn die LED-Anzeige nicht reagiert, ersetzen Sie die Batterie.



**11. TRANSPORTBEHÄLTER (OPTIONAL)**

**11.1. OVERVIEW**

Der Transportbehälter ist ein optionales Zubehörteil, um leicht und einfach den robotischen Reiniger, das Schwimmkabel und die Strom- und Steuereinheit von Ort zu Ort zu bewegen.

**11.2. MONTAGE DES TRANSPORTBEHÄLTERS**

Um den Transportbehälter zu montieren, brauchen Sie einen Standardschraubendreher und einen 8 mm Schraubenschlüssel.

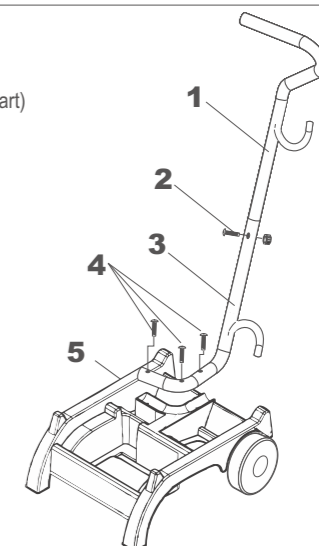
**Anbringung des Transportbehältergriffs**

1. Befestigen Sie das Unterteil des Griffs (3) an den Rahmen des Transportbehälters (5) mit drei Schrauben (4) und Muttern.
2. Befestigen Sie das Oberteil des Griffs (1) an das Unterteil (3) mit einer Schraube (2) und einer Mutter.

**11.3. LADEN DES ROBOTISCHEN REINIGERS AUF DEN TRANSPORTBEHÄLTER**

1. Stellen Sie den Reiniger auf den Sockel des Transportbehälters.
2. Rollen Sie das Schwimmkabel auf und legen Sie es auf den Reiniger.
3. Legen Sie die Strom- und Steuereinheit oben auf der Schwimmkabel-Wicklung.

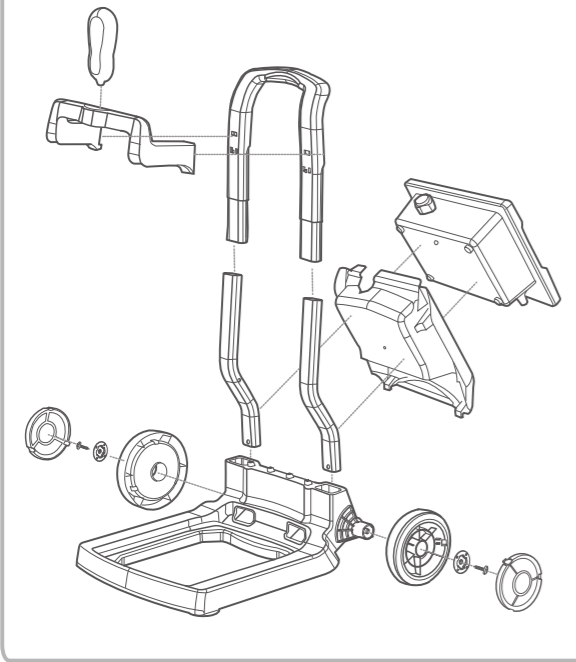
1. Handle (Top Part)
2. Handle Screws
3. Handle (Bottom Part)
4. Frame screws
5. Caddy Frame



# AUTOMATISCHER SCHWIMMBECKENREINIGER ART CYCLONE

## 12. TRANSPORTWAGEN (OPTIONAL)

### Montage des Transportwagens

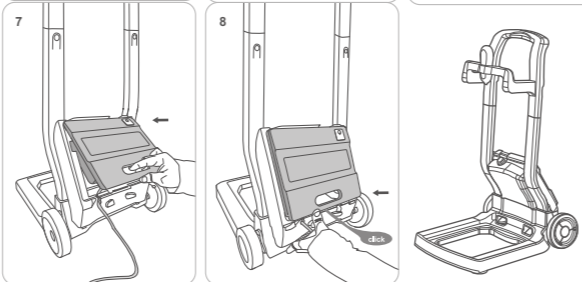
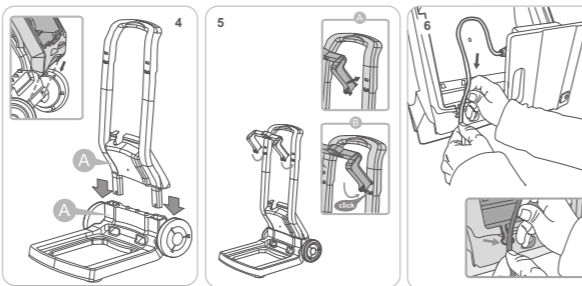
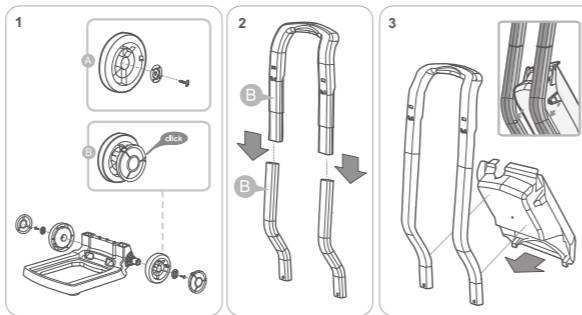
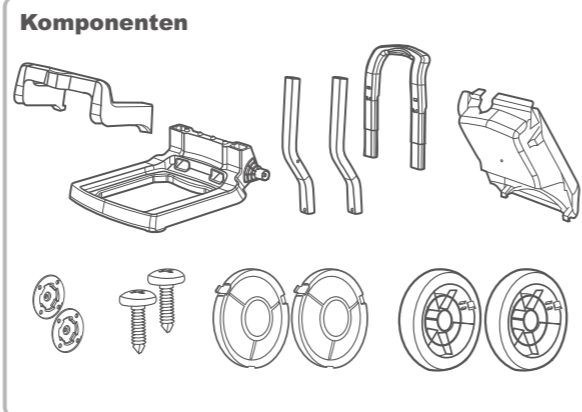


#### 12.1. OVERVIEW

Der Transportwagen ist ein optionales Zubehörteil, um leicht und einfach den robotischen Reiniger zu bewegen und bietet einen Montageort für Strom- und Steuereinheit.

#### 12.2. MONTAGE DES TRANSPORTWAGENS:

1. Befestigen Sie die Räder an beide Seiten des Fahrwerks.
2. Befestigen Sie jedes Rad mit einer Schraube und installieren Sie die Abdeckung.
3. Montieren Sie die zwei Abschnitte des Griffs.
4. Stecken Sie den Griff in das Fahrwerk hinein. Rasten Sie die unteren Laschen des Gehäuses der Strom- und Steuereinheit in das Fahrwerk ein.
5. Befestigen Sie den Fernbedienungshalter, indem Sie den oberen Teil in den Transportwagengriff stecken und den Halter nach unten drehen, bis der untere Teil einrastet.
6. Legen Sie das Kabel der Strom- und Steuereinheit in die Einkerbung des Fahrwerks.
7. Bringen Sie das Gehäuse der Strom- und Steuereinheit an, indem Sie die oberen Laschen in die Öffnungen im Griff einrasten.
8. Legen Sie den oberen Teil der Strom- und Steuereinheit ins Gehäuse und drücken Sie den unteren Teil nach unten, bis er im Fahrwerk einrastet.



### ANMERKUNGEN

---

---

---

---

---

---

---

---

---

---

---

---

## SOMMAIRE

<b>1. GUIDE DE DÉMARRAGE RAPIDE</b>	<b>38</b>
<b>2. L'INSTALLATION DE FLOTTEURS</b>	<b>38</b>
<b>3. CONSIGNES DE SÉCURITÉ</b>	<b>39</b>
<b>4. INTRODUCTION</b>	<b>39</b>
4.1 Présentation du système	39
4.2 Comment le robot nettoyeur débarrasse votre piscine des saletés	39
4.3 Conditions d'utilisation	40
<b>5. COMPOSANTS</b>	<b>40</b>
5.1 Robot nettoyeur	40
5.2 Module de commande et d'alimentation	40
5.3 Contenu de la caisse d'emballage	40
<b>6. FONCTIONNEMENT</b>	<b>40</b>
6.1 Avant la première utilisation	40
6.2 Placer le module de nettoyage dans l'eau	41
6.3 Démarrage du robot nettoyeur	42
6.4 Cycle de nettoyage	42
6.5 Arrêter le robot nettoyeur	42
6.6 Retirer le module de nettoyage de l'eau	42
<b>7. ENTRETIEN ET RÉGLAGE</b>	<b>43</b>
7.1 Nettoyage des filtres	43
7.2 Rangement du robot nettoyeur	43
7.3 Vérification de la sortie d'eau de l'hélice	43
<b>8. PANNEAU DE COMMANDE</b>	<b>44</b>
8.1 Boutons superposés	46
8.2 Utiliser une minuterie externe	47
<b>9. DÉPANNAGE</b>	<b>47</b>
<b>10. TÉLÉCOMMANDE</b>	<b>49</b>
10.1 Présentation de la télécommande	49
10.2 Utilisation de la télécommande	49
<b>11. CADDY (EN OPTION)</b>	<b>49</b>
11.1 Overview	49
11.2 Montage du caddy	49
11.3 Chargement du robot nettoyeur sur le caddy	49
<b>12. CHARIOT "TROLLY" (EN OPTION)</b>	<b>50</b>
12.1 Overview	50
12.2 Montage du chariot	50



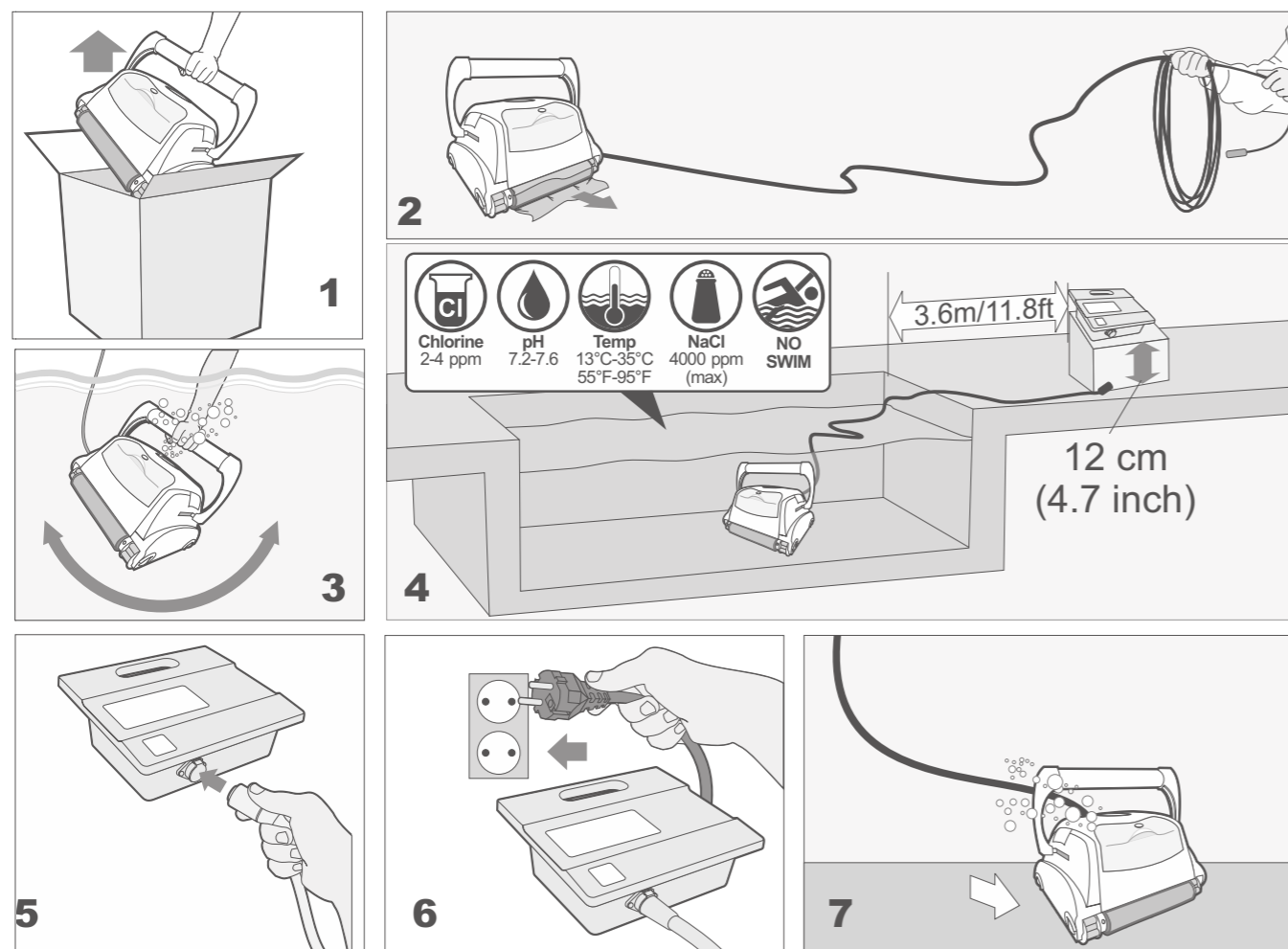
Les erreurs et modifications techniques sont sujettes à changement, reproduction ainsi que duplication électronique uniquement avec notre autorisation écrite.

© NORSUP

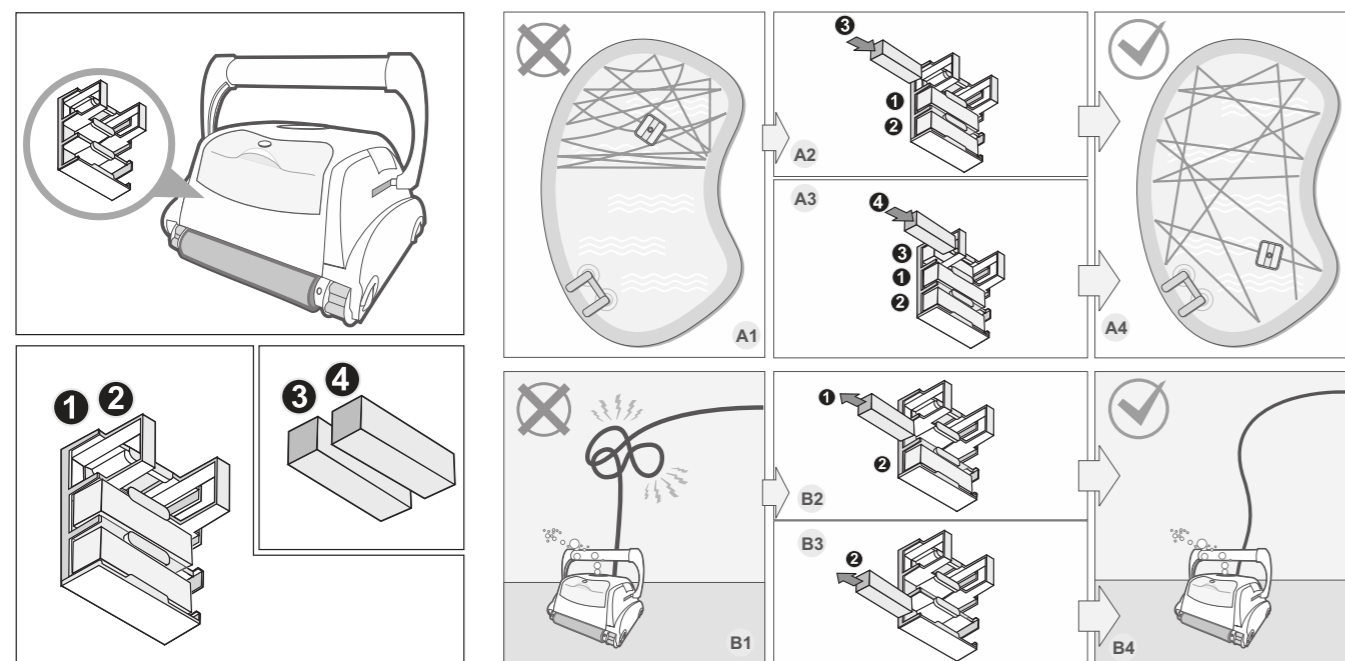
Édition: 11.2020

# NETTOYEUR DE PISCINE TYPE CYCLONE

## 1. GUIDE DE DÉMARRAGE RAPIDE



## 2. L'INSTALLATION DE FLOTTEURS



# NETTOYEUR DE PISCINE TYPE CYCLONE

## 3. CONSIGNES DE SÉCURITÉ

### CONSIGNES DE SÉCURITÉ IMPORTANTES LIRE ET SUIVRE TOUTES LES INSTRUCTIONS

ATTENTION : Ne pas brancher le bloc d'alimentation à une prise de terre ou ne pas mettre le nettoyeur de piscine sur « MARCHÉ » s'il n'est pas totalement immergé dans l'eau. L'utilisation du nettoyeur hors de l'eau cause immédiatement de sérieux dégâts et se traduit par une perte de garantie.

Laisser le nettoyeur dans la piscine pendant 15 à 20 minutes à la fin de son cycle de nettoyage. Cela permettra aux moteurs de refroidir convenablement. Ne pas laisser le nettoyeur dans la piscine tout le temps. Rappelez-vous toujours de mettre l'alimentation sur « ARRÊT » et de débrancher la prise de courant avant de retirer le nettoyeur de la piscine.

### AVERTISSEMENT

Le nettoyeur ne doit pas être utilisé lorsqu'il y a des gens dans l'eau. À utiliser dans une piscine uniquement

### Note de sécurité

- L'appareil doit être alimenté par un dispositif différentiel à courant résiduel (DDR) ayant un fonctionnement nominal de courant résiduel ne dépassant pas 30 mA.
- Le raccordement au circuit de dérivation doit être compatible avec les règles de câblage locales et nationales (code de l'électricité).
- Une mauvaise manipulation de l'appareil peut entraîner des fuites de lubrifiants.
- Si le cordon d'alimentation est endommagé, il doit être remplacé par un agent de maintenance du fabricant ou une personne qualifiée et formée afin d'éviter les dangers.

Cet appareil n'est pas destiné à être utilisé par des personnes (y compris les enfants) dont les capacités physiques, sensorielles ou mentales sont réduites, ou qui manquent d'expérience et de connaissances, à moins qu'elles n'aient bénéficié de surveillance ou d'instructions concernant l'utilisation de l'appareil de la part d'une personne responsable de leur sécurité. Les enfants doivent être surveillés pour s'assurer qu'ils ne jouent pas avec l'appareil.

### AVERTISSEMENT

un interrupteur de défaut à la terre (GFCI-USA) ou un dispositif différentiel à courant résiduel (DDR-Europe) doit être installé pour protéger votre prise électrique et éviter tout risque d'électrocution.

CONSERVEZ CES INSTRUCTIONS

## 4. INTRODUCTION

### 4.1 PRÉSENTATION DU SYSTÈME

Le robot nettoie le fond et les parois de la piscine pour collecter les impropres et les débris dans ses filtres internes. Le présent manuel explique comment faire fonctionner le robot nettoyeur, y compris les procédures de nettoyage, d'entretien et de stockage.

### REMARQUE

Le présent manuel passe en revue différents modèles de robots nettoyeurs. Les composants varient selon le type de modèle.

### 4.2 Comment le robot nettoyeur débarrasse votre piscine des saletés

Une fois placé dans la piscine et activé, le robot nettoyeur fonctionne selon le programme établi par le module de contrôle et d'alimentation. Il se déplace le long du fond et des parois de la piscine en couvrant toute la zone. Lorsque le robot nettoyeur a terminé son programme, il reste inactif au fond de la piscine.

### REMARQUE

L'escalade des parois est en option. Lorsque la fonction d'escalade des parois est activée, le robot nettoyeur effectue cette manœuvre par intervalles conformément à son programme interne. La capacité d'un robot nettoyeur à franchir des escaliers en piscine est soumise à la géométrie et au matériau de l'escalier.

# NETTOYEUR DE PISCINE TYPE CYCLONE

## 4.3 Conditions d'utilisation

Le robot nettoyeur est conçu pour être utilisé dans les piscines dans les conditions suivantes :

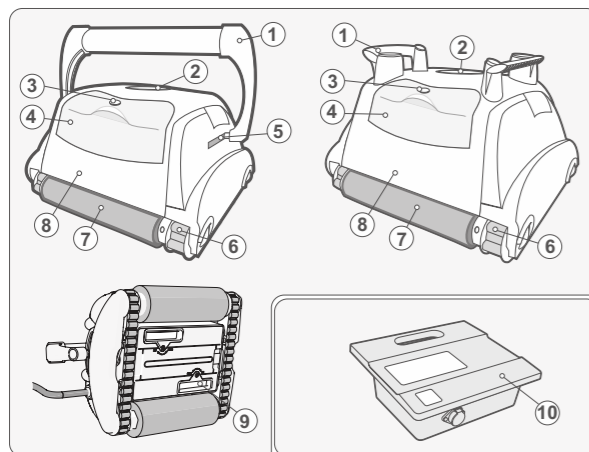
- Températures comprises entre 13°C et 35°C (55°F et 95°F), la température recommandée étant comprise entre 22°C et 32°C (72°F et 90°F).
- pH de l'eau : compris entre 7,2 et 7,6
- Niveau de chlore : la piscine est maintenue selon les instructions du fabricant de la piscine.

## REMARQUE

L'entretien inadéquat de la piscine suivant les recommandations fournies sur les conditions de fonctionnement pourrait occasionner un mauvais fonctionnement du robot nettoyeur. Retirez le nettoyeur de l'eau lorsque vous réalisez un „traitement par choc chimique“ à l'eau de la piscine.

## 5. COMPOSANTS

### 5.1. ROBOT NETTOYEUR

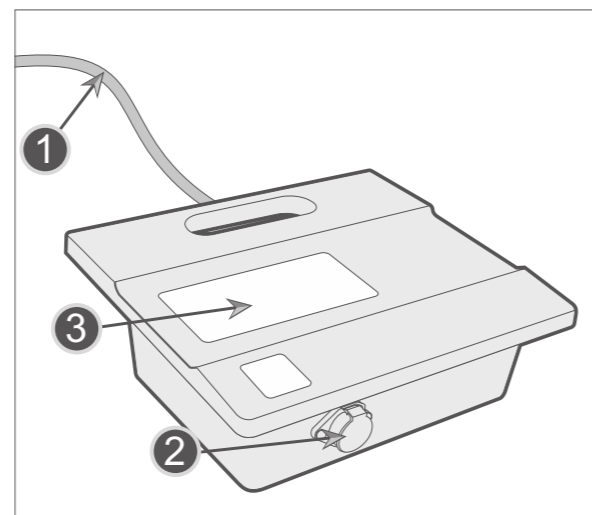


1. Manche
  2. Partie supérieure de la sortie
  3. Dispositif de déverrouillage du filtre
  4. Accès à la partie supérieure du filtre
  5. Poignée du dispositif de verrouillage
  6. Bande d'entraînement
  7. Brosse à récurer
  8. Corps de l'appareil
  9. Admission d'eau
  10. Module d'alimentation
- Optional
11. Télécommande
  12. "Trolley"
  13. "Caddy"
  14. Minuteur externe (fourni séparément).

### 5.2. MODULE DE COMMANDE ET D'ALIMENTATION

Le module de commande et d'alimentation est relié au robot nettoyeur via le câble flottant. L'appareil est alimenté par secteur (1) et produit du courant à basse tension et envoie des commande au module de nettoyage à travers la prise de courant (2). Le module

dispose d'un panneau de commande (3) avec diverses commandes pour faire fonctionner le robot nettoyeur.



### 5.3. CONTENU DE LA CAISSE D'EMBALLAGE

Le robot nettoyeur est emballé dans une boîte contenant :

- Robot nettoyeur et câble flottant
- Module de commande et d'alimentation
- Mode d'emploi

Selon le modèle acheté, les accessoires suivants peuvent être inclus dans l'emballage :

- Télécommande
- Caddy
- Chariot
- Accessoires supplémentaires

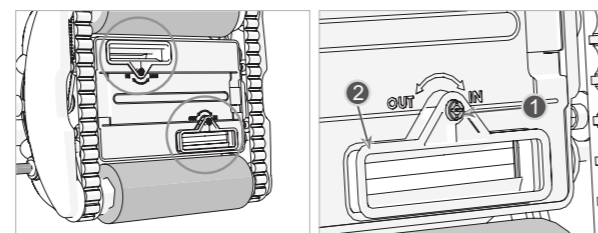
## 6. FONCTIONNEMENT

### 6.1. AVANT LA PREMIÈRE UTILISATION

Réglage de la hauteur d'aspiration Le positionnement de l'admission de l'aspiration (2) à proximité de la surface de la piscine augmente la puissance d'aspiration et la qualité du nettoyage. L'abaissement de l'admission d'aspiration peut causer des interférences avec les obstacles sur le fond de la piscine ou sur les parois de la piscine.

Utilisez un tournevis pour régler le bouton de position d'admission d'aspiration (1).

- IN - éloigne l'admission d'aspiration de la surface de la piscine et réduit la puissance d'aspiration.
- OUT - rapproche l'admission d'aspiration de la surface de la piscine et augmente la puissance d'aspiration.

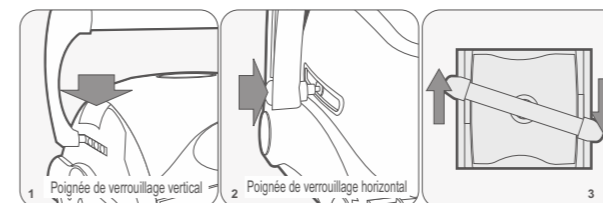


# NETTOYEUR DE PISCINE TYPE CYCLONE

## Réglage de la poignée flottante

Sur les modèles qui escaladent les parois, réglez la poignée flottante comme suit :

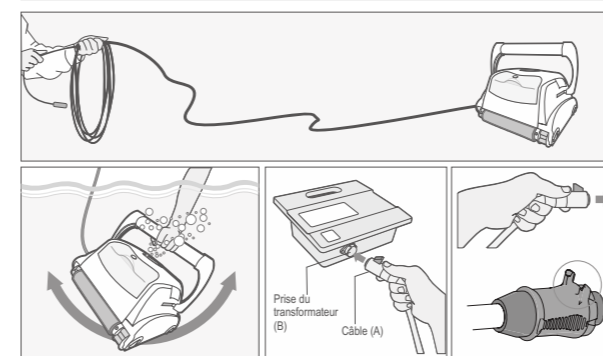
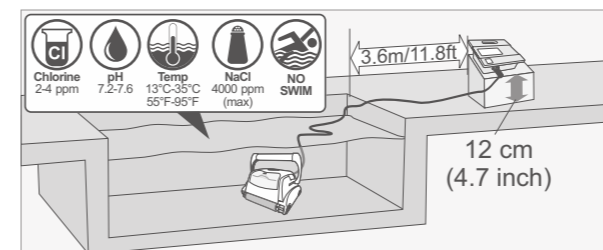
1. Appuyez sur le bouton de verrouillage (1 ou 2 selon le modèle) pour déverrouiller la poignée.
2. Placez la poignée (3) en diagonale à la position maximale.
3. Répétez les étapes 1 et 2 de l'autre côté du module de nettoyage.



**Retirez les couvercles des brosses** Le robot nettoyeur est livré avec un couvercle de protection sur les brosses à récurage. Retirez délicatement les couvercles de nylon des brosses à récurage.

## MISE EN GARDE

N'utilisez pas un outil pointu pour retirer le couvercle car il pourrait endommager les brosses.



## Placer le module d'alimentation et de contrôle

4. Placez le module de commande et d'alimentation à 3,6 mètres (11,8 pieds) au moins de la piscine et à 12 cm (4 pouces) au moins au-dessus de la surface.

## MISE EN GARDE

Le module de commande et d'alimentation ne doit pas être exposé à l'eau ou directement aux rayons du soleil.

5. Défaitez les attaches en plastique des câbles flottants, qui sont utilisées pour fixer les câbles pendant le transport, en appuyant sur le fermoir plastique de l'attache.

## Avant de placer le module de nettoyage dans la piscine

1. Assurez-vous qu'il n'y a personne dans la piscine.
2. Assurez-vous que les filtres sont propres.
3. Assurez-vous que les conditions de la piscine sont remplies ; (Voir la rubrique « Conditions de fonctionnement »).

## 6.2. PLACER LE MODULE DE NETTOYAGE DANS L'EAU

1. Déroulez le câble flottant. Il est recommandé d'étendre une longueur de câble égale à la diagonale de la piscine, plus deux mètres supplémentaires.
2. Placez le module de nettoyage dans la piscine.
3. Laissez le robot nettoyeur se poser au fond de la piscine. Attendez que le robot nettoyeur ait atteint le fond de la piscine pour déclencher le mettre en marche.
4. Déployez le câble flottant dans la piscine. Assurez-vous que seule la longueur de câble requise est déployée dans la piscine. Évitez les enroulements ou les torsions de câble. Déroulez une longueur de câble supplémentaire en dehors de la piscine près du module de commande et d'alimentation.
5. Branchez le câble flottant (A) à la prise (B) située sur le module de commande et d'alimentation.

## MISE EN GARDE

L'utilisation du nettoyeur hors de l'eau cause de graves dommages immédiatement et se traduit par la perte de la garantie.

# NETTOYEUR DE PISCINE TYPE CYCLONE

## 6.3. DÉMARRAGE DU ROBOT NETTOYEUR

1. Branchez le module de commande et d'alimentation à la prise secteur. Le voyant lumineux de fonctionnement (4) s'allume et le robot nettoyeur commence son programme de nettoyage. Si le module de commande et d'alimentation est déjà connecté à la prise secteur, le voyant lumineux de fonctionnement (5) clignote pour indiquer que le robot nettoyeur est en mode veille. Appuyez sur le bouton Marche (6). La voyant lumineux de fonctionnement s'allume et le robot nettoyeur commence son programme de nettoyage.

### REMARQUE

Lorsque le voyant de vérification du filtre (3) est allumé, les filtres du robot nettoyeur doivent être nettoyés avant de placer le module de nettoyage dans la piscine. Le voyant de vérification du filtre est facultatif sur certains modèles.

## 6.4. CYCLE DE NETTOYAGE

Pendant le cycle de nettoyage, le robot nettoyeur :

- Se déplace dans le fond de la piscine et collecte les impuretés et les débris.
- Change de direction et suit automatiquement un parcours en fonction du programme sélectionné
- Gravit les parois de la piscine à une fréquence défini dans son programme interne.

### REMARQUE

Le robot nettoyeur peut parfois s'immobiliser pendant quelques secondes. Il ne s'agit pas d'un cas de dysfonctionnement, mais cela fait partie du fonctionnement normal.

## 6.5. ARRÊTER LE ROBOT NETTOYEUR

Le robot nettoyeur passe automatiquement en mode veille après chaque cycle de nettoyage et le voyant lumineux de fonctionnement (5) se met à clignoter.

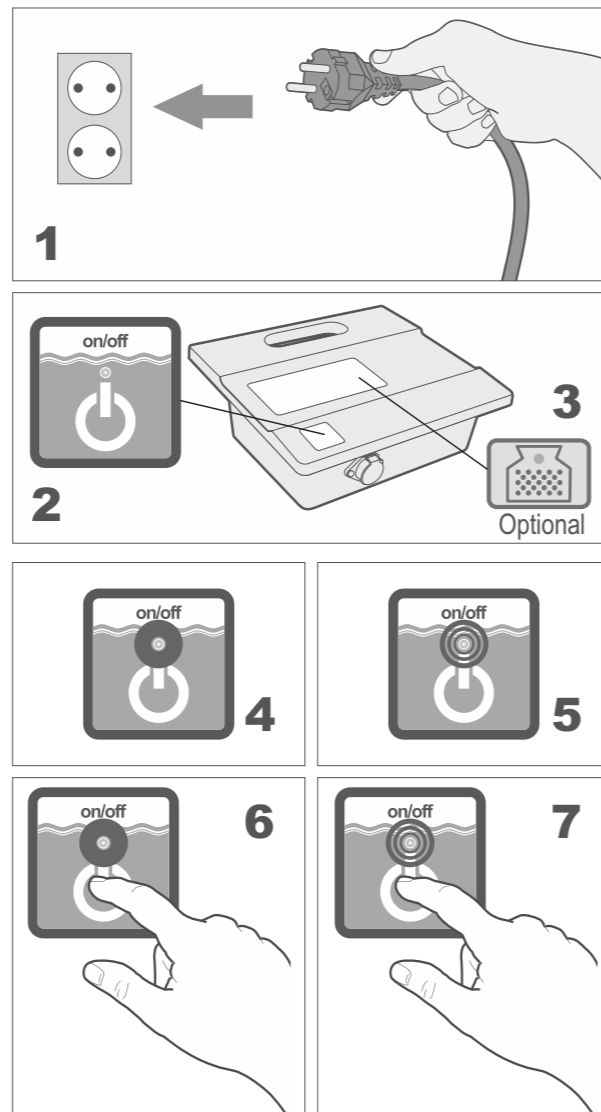
Pour arrêter le robot au cours d'un cycle de nettoyage, appuyez sur la touche « Marche » (7) une fois. La voyant lumineux de fonctionnement (7) se met à clignoter et le robot nettoyeur passe en mode veille.

## 6.6. RETIRER LE MODULE DE NETTOYAGE DE L'EAU

1. Débranchez le câble flottant du module de commande et d'alimentation.
2. Tirez sur le câble flottant pour rapprocher le module de nettoyage jusqu'à ce qu'il soit possible de saisir la poignée par la main.
3. Utilisez la poignée, soulevez le module de nettoyage pour le retirer de la piscine.

### ATTENTION:

N'utilisez pas le câble flottant pour sortir le module de nettoyage de l'eau.



# NETTOYEUR DE PISCINE TYPE CYCLONE

## 7. ENTRETIEN ET RÉGLAGE

### 7.1. NETTOYAGE DES FILTRES

Les deux filtres doivent être nettoyés après chaque cycle de nettoyage.

1. Libérez le filtre et délogez-le du module de nettoyage. (1), (2)
2. Tirez sur la porte du boîtier de filtre pour l'ouvrir. (3), (4)
3. Essorez l'eau vers l'extérieur du filtre, puis vers l'intérieur pour nettoyer toutes les impuretés et les débris. (5)
4. Vérifiez que le petit volet plastique (2) est en place et intact. Fermez le filtre. (6)
5. Logez le filtre dans son boîtier jusqu'à ce qu'un déclic se fasse entendre pour le fixer. (7), (8)

### 7.2. RANGEMENT DU ROBOT NETTOYEUR

Suivez les consignes ci-dessous pour ranger le robot nettoyeur lorsque vous ne l'utilisez pas :

1. Débranchez le cordon d'alimentation de la prise secteur.
2. Débranchez le câble flottant du module de commande et d'alimentation.
3. Déroulez le câble flottant et redressez toutes les torsions.
4. Lavez l'intérieur du module de nettoyage à l'aide d'eau fraîche et laissez sécher.
5. Enroulez le câble flottant et placez-le sur le module de nettoyage.



### ATTENTION

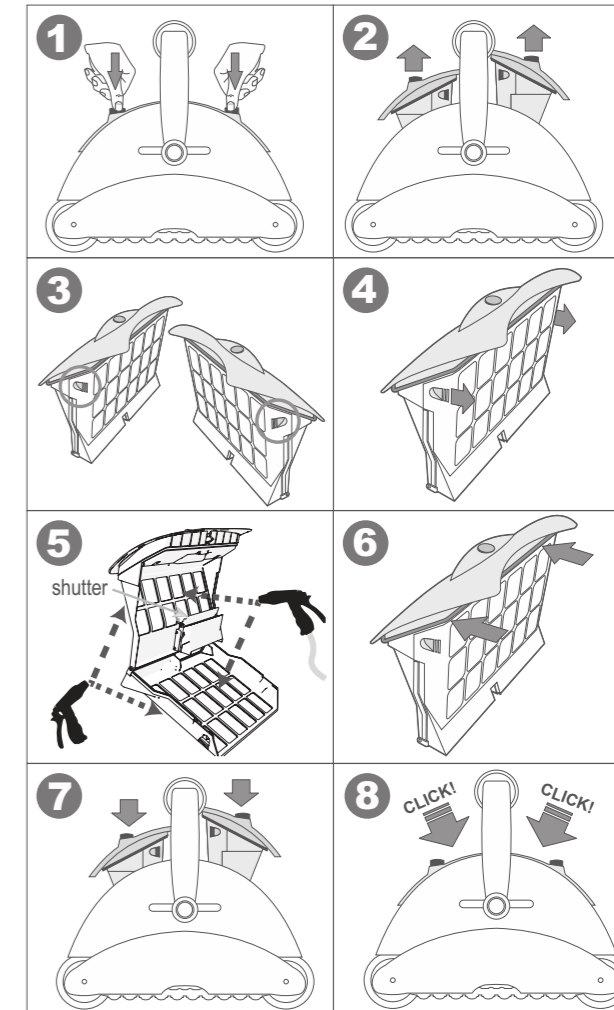
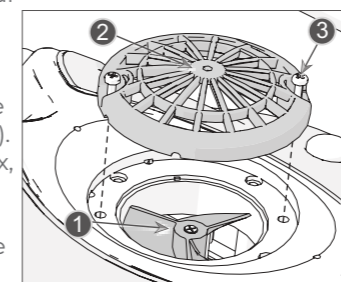
N'enroulez pas le câble flottant sur la poignée du module de nettoyage.

6. Rangez les composants du robot nettoyeur dans un endroit sec et fermé.
7. Vérifiez que le module de commande et d'alimentation n'est pas exposé à l'eau.

### 7.3. VÉRIFICATION DE LA SORTIE D'EAU DE L'HÉLICE

Il est recommandé de périodiquement nettoyer les débris et les cheveux de l'hélice de sortie d'eau :

1. Retirez les vis (3) qui maintiennent le couvercle de la sortie d'eau (2).
2. Retirez le couvercle de la sortie d'eau (2).
3. Enlevez les cheveux, les impuretés ou les débris.
4. Vérifiez que l'hélice (1) est intacte.
5. Remplacez le couvercle (2) et le fixez-le avec les vis (3).



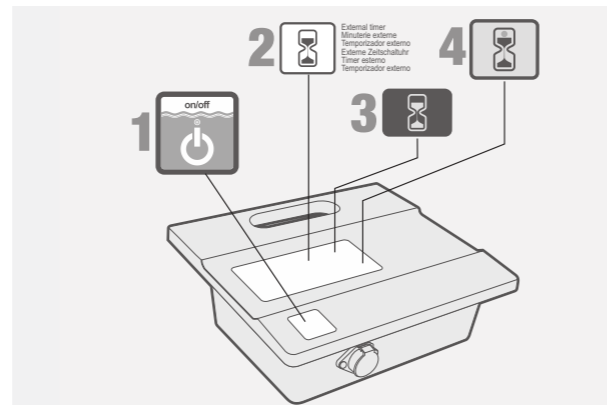
# NETTOYEUR DE PISCINE TYPE CYCLONE

## 8. PANNEAU DE COMMANDE

Ce chapitre traite des options de programmation. Sautez le chapitre si votre modèle n'est pas programmable ou si le robot-nettoyeur est déjà programmé.

Le panneau de commande se compose des éléments suivants :

- Bouton d'alimentation (1) – met le robot nettoyeur en marche ou l'arrête.
- Description du fonctionnement (2) - décrit le fonctionnement
- Les boutons de commande (3) – de couleur bleue, ils permettent d'opérer le choix de la fonction correspondante.
- Affichage de l'état (4) – le voyant lumineux s'allume pour afficher l'option sélectionnée ou l'état du robot nettoyeur.



# Aquacontrol

check filter  
chèque filtre  
filter überprüfen  
controllare il sacchetto filtrante  
revise el filtro

cleaning time  
temps de nettoyage  
reinigungszeit  
tempo di pulizia  
tiempo de limpieza

2.0H

1.5H

## SPS 100

**Aquacontrol**

- Cleaning program  
Mode nettoyage  
Programa de limpieza  
Reinigungsprogramm  
Programma di pulizia  
Programa de limpeza
- Internal timer  
Minuterie interne  
Temporizador interno  
Interne Zeitschaltuhr  
Timer interno  
Temporizador interno
- Check filter  
Vérifiez le filtre  
Revise el filtro  
Filter überprüfen  
Controllare il sacchetto filtrante  
Verifique o Filtro
- External timer  
Minuterie externe  
Temporizador externo  
Externe Zeitschaltuhr  
Timer esterno  
Temporizador externo

PROGRAM 03	96h	
PROGRAM 02	72h	
PROGRAM 01	48h	

## SPS 200

# NETTOYEUR DE PISCINE TYPE CYCLONE

**Aquacontrol**

- Swivel  
Pivot  
Swivel  
Drehlager  
Manopola di disattorcigliamento  
Swivel
- Cleaning program  
Mode nettoyage  
Programa de limpieza  
Reinigungsprogramm  
Programma di pulizia  
Programa de limpeza
- Internal timer  
Minuterie interne  
Temporizador interno  
Interne Zeitschaltuhr  
Timer interno  
Temporizador interno

Check filter  
Vérifiez le filtre  
Revise el filtro  
Filter überprüfen  
Controllare il sacchetto filtrante  
Verifique o Filtro

External timer  
Minuterie externe  
Temporizador externo  
Externe Zeitschaltuhr  
Timer esterno  
Temporizador externo

HIGH

PROGRAM 02

96h

72h

48h

## SPS 300

**Aquacontrol**

- Auto detect  
Auto detección  
Automatische erkennung  
Auto diagnosi  
Detección automática
- Swivel  
Pivot  
Swivel  
Drehlager  
Manopola di disattorcigliamento  
Swivel
- Internal timer  
Minuterie interne  
Temporizador interno  
Interne Zeitschaltuhr  
Timer interno  
Temporizador interno
- External timer  
Minuterie externe  
Temporizador externo  
Externe Zeitschaltuhr  
Timer esterno  
Temporizador externo

Pool shape  
Forme de piscine  
Forme de la piscine  
Beckenform  
Forma piscina  
Forma da piscina

Cleaning program  
Mode nettoyage  
Programa de limpieza  
Reinigungsprogramm  
Programma di pulizia  
Programa de limpeza

Check filter  
Vérifiez le filtre  
Revise el filtro  
Filter überprüfen  
Controllare il sacchetto filtrante  
Verifique o Filtro

HIGH

PROGRAM 02

96h

72h

48h

## SPS 400

**Aquacontrol**

- Auto detect  
Auto detección  
Automatische erkennung  
Auto diagnosi  
Detección automática
- Swivel  
Pivot  
Swivel  
Drehlager  
Manopola di disattorcigliamento  
Swivel
- Cleaning Level  
Niveau de Nettoyage  
Nível de Limpeza  
Reinigungsstufe  
Livello di Pulizia  
Nível de Limpeza
- Delay  
Retard  
Retrasar  
Verzögerung  
Ritardo  
Atrasar

Pool shape  
Forme de piscine  
Forme de la piscine  
Beckenform  
Forma piscina  
Forma da piscina

Cleaning program  
Mode nettoyage  
Programa de limpieza  
Reinigungsprogramm  
Programma di pulizia  
Programa de limpeza

Check filter  
Vérifiez le filtre  
Revise el filtro  
Filter überprüfen  
Controllare il sacchetto filtrante  
Verifique o Filtro

HIGH

PROGRAM 02

PROGRAM 03










PROGRAM 01

## SPS 500

# NETTOYEUR DE PISCINE TYPE CYCLONE

## 8.1. BOUTONS SUPERPOSÉS

### MODÈLE

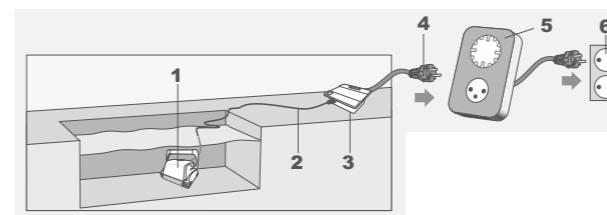
100/200 300/400 500		<b>Vérification du filtre</b> Lorsque le voyant s'allume, il indique que le sac-filtre doit être enlevé, nettoyé et réinstallé correctement dans le robot pour un fonctionnement efficace du système. Dans les modèles 300, 400, 500 – le robot-nettoyeur s'arrêtera de grimper aux murs une fois le voyant du filtre allumé
100		<b>Cleaning time</b> - time duration spent cleaning the pool. Press the button to select the desired time. A red light will indicate your selection. <b>This feature can only be selected when the Power supply is in standby mode</b>
200 300/400		<b>Minuterie interne – option de fonctionnement automatique:</b> Toutes les 48 heures Toutes les 72 heures Toutes les 96 heures
200/300		<b>Sélection du programme de nettoyage:</b> Programme 01 – nettoyage des parois et du sol pendant 1.0 heures Programme 02 – nettoyage des parois et du sol pendant 1.5 heures. Programme 03 – nettoyage des parois et du sol pendant 2 heures.
400		<b>Sélection du programme de nettoyage:</b> Programme 01 – cycle de nettoyage - *1.5 heure sol seulement Programme 02 – nettoyage des parois et du sol pendant 2.0 heures. Programme 03 – nettoyage des parois et du sol pendant 2.5 heures.
500		<b>Sélection du programme de nettoyage:</b> Programme 01 – cycle de nettoyage 2 heure sol seulement Programme 02 - 4 heures de nettoyage du fond et des parois (sur certains modèles, la fonction de nettoyage des parois n'est pas disponible). Programme 03 - 5 heures de nettoyage du fond et des parois (sur certains modèles, la fonction de nettoyage des parois n'est pas disponible).
200 300/400		<b>Minuterie externe -</b> Cette fonction offre à l'utilisateur final la possibilité de programmer l'horaire de nettoyage via un minuteur externe (vendu séparément). Presser ce bouton active et désactive cette fonction.
300/400 500		<b>Tourillon</b> —permet d'ajuster la vitesse de rotation du robot dans la piscine. Normal – fonctionnement standard Élevé – vitesse de rotation différente
400/500		<b>Détection automatique:</b> cette fonctionnalité empêche le robot d'être coincé par des obstacles dans la piscine, notamment les collecteurs principaux, les escaliers, les échelles, etc. Appuyez sur ce bouton pour sélectionner l'une des options suivantes:  <b>Détection automatique – DÉSACTIVÉ.</b> Cette option doit être sélectionnée si votre robot change de direction au milieu de la piscine sans qu'il soit en contact avec un obstacle quelconque.  <b>Détection automatique – ACTIVÉ.</b> Le robot doit changer de direction lorsqu'il entre en contact avec certains obstacles. Sélectionnez cette option lorsque la piscine est jonchée d'obstacles comme des systèmes de nettoyage du sol, les collecteurs d'immeubles et des échelles.
400/500		<b>Forme de la piscine:</b> Permet au robot de calculer le modèle de nettoyage le plus efficace, pour la forme de piscine sélectionnée. Appuyez sur le bouton pour sélectionner le dessin le plus adapté à la forme de la piscine. Un voyant rouge va indiquer votre sélection.
500		<b>Niveau de nettoyage – Modifier les performances de nettoyage</b>  Rapide : à sélectionner si votre piscine a peu de saletés.  Normal : à sélectionner pour l'entretien journalier.  Minutieux : à sélectionner si votre piscine a beaucoup de saletés.
500		<b>Temporisation</b> Lorsque cette option est activée, le robot commence à travailler après 2 heures de temporisation. Cette fonction est utilisée pour laisser les débris et la poussière se déposer sur le fond avant le démarrage du nettoyage par le robot.

# NETTOYEUR DE PISCINE TYPE CYCLONE

## 8.2. UTILISER UNE MINUTERIE EXTERNE

(optionnel, vendu séparément)

Une minuterie externe peut être utilisée pour activer automatiquement le nettoyeur à un moment prédéfini. La minuterie externe doit être connectée entre la prise murale, l'alimentation et l'unité de contrôle.



1. Unité
2. Câble
3. Alimentation
4. Transformateur
5. Minuterie externe
6. Prise

## 9. DÉPANNAGE

### LE MODULE DE NETTOYAGE NE SE MET PAS EN MARCHÉ

#### La prise secteur est hors tension.

1. Débranchez le module de nettoyage de celui de commande et d'alimentation.
2. Débranchez la source d'alimentation de la prise murale, attendez 30 secondes, puis rebranchez.
3. Mettez l'appareil en marche. S'il ne s'active pas, branchez-le à une différente prise secteur.

#### Le câble flottant n'est pas correctement branché au module de commande et d'alimentation.

Rebranchez le câble flottant au module de commande et d'alimentation.

#### Il y a un obstacle dans le système de transmission du module de nettoyage.

1. Tournez soigneusement l'appareil pour voir l'intérieur.
2. Faites pivoter les rails et les brosses à récurage à la main. Ils ne tournent pas alors qu'ils doivent le faire sans heurt.
3. Nettoyez et enlevez les obstacles et les débris si nécessaire.

#### L'hélice est grippée en raison d'un amas de cheveux.

Vérifiez si l'hélice est brisée ou doit être nettoyée (voir la section « Vérification de la sortie d'eau de l'hélice »)

#### LE MODULE DE NETTOYAGE SE DÉPLACE SANS TOUTEFOIS POMPER DE L'EAU.

#### Les filtres sont sales.

1. Démontez les filtres
2. Faites fonctionner le robot nettoyeur dans la piscine sans ses filtres. En cas de fonctionnement normal, bien nettoyez les filtres ou remplacez-les.

**L'hélice est brisée en raison d'un amas de cheveux.** Vérifiez si l'hélice est brisée ou doit être nettoyée (voir la section « Vérification de la sortie d'eau de l'hélice »).

#### LE MODULE DE NETTOYAGE POMPE DE L'EAU SANS TOUTEFOIS SE DÉPLACER.

#### Il y a un obstacle dans le système de transmission du module de nettoyage.

1. Tournez soigneusement l'appareil pour voir l'intérieur.
2. Faites pivoter les rails et les brosses à récurage à la main. Ils ne tournent pas alors qu'ils doivent le faire sans heurt.
3. Nettoyez et enlevez les obstacles et les débris si nécessaire.

#### LE MODULE DE NETTOYAGE DÉMARRE PUIS S'ARRÊTE APRÈS UN BREF MOMENT.

#### Les filtres sont sales.

1. Démontez les filtres.
2. Faites fonctionner le robot nettoyeur sans ses filtres. En cas de fonctionnement normal, bien nettoyez les filtres ou remplacez-les.

#### L'hélice est brisée en raison d'un amas de cheveux.

1. Enlevez les vis supérieures du couvercle supérieur.
2. Vérifiez si l'hélice est brisée ou a besoin d'être nettoyée.

#### Il y a un obstacle dans le système de transmission du module de nettoyage.

1. Tournez soigneusement l'appareil pour voir l'intérieur.
2. Faites pivoter les rails et les brosses à récurage à la main. Ils ne tournent pas alors qu'ils doivent le faire sans heurt.
3. Nettoyez et enlevez les obstacles et les débris si nécessaire.

#### LE MODULE DE NETTOYAGE NE COLLECTE PAS LA SALETÉ.

**Les filtres sont sales ou sont troués.** Nettoyez comme voulu puis vérifiez que le filtre n'est pas troué.

**L'hélice est brisée en raison d'un amas de cheveux.** Vérifiez si l'hélice est brisée ou doit être nettoyée (voir la section « Vérification de la sortie d'eau de l'hélice »).

**L'admission de l'aspiration n'est pas assez proche du fond de la piscine.** Déplacez l'admission de l'aspiration sur OUT (voir la rubrique « Réglage de la hauteur d'aspiration » à la page 9).

#### LA SALETÉ SORT DU MODULE DE NETTOYAGE UNE FOIS COLLECTÉE DE LA PISCINE.

**La fermeture du filtre est cassée ou absente.** Ouvrez les filtres et vérifiez que l'obturateur de filtre n'est pas brisé et fonctionne correctement (voir la rubrique « Filtres de nettoyage »)

**Les filtres sont perforés.** Ouvrez les filtres et vérifiez que les écrans de filtre ne sont pas troués (voir la rubrique « Filtres de nettoyage »)

**Le couvercle inférieur n'est pas correctement fermé.** Assurez-vous que le couvercle inférieur est correctement fermé.



# NETTOYEUR DE PISCINE TYPE CYCLONE

**LE MODULE DE NETTOYAGE NE PARCOURT PAS TOUTE LA PISCINE.**

**Les filtres sont sales.** Nettoyez les filtres.

**Il n'y a pas suffisamment de longueur de câble flottant dans l'eau pour atteindre le fond de la piscine, ou le câble est emmêlé..**

1. Vérifiez qu'il y a suffisamment de longueur de câble flottant dans l'eau pour atteindre le fond de la piscine.
2. Assurez-vous que le câble flottant est bien étalé et n'est pas emmêlé.

**L'angle de la poignée flottante affecte le mouvement du module de nettoyage.**

Augmentez l'angle diagonal de la poignée flottante (voir la rubrique « Réglage Poignée flottant »).

**Le niveau de pH de la piscine est incorrect.**

Assurez-vous que le niveau de pH est compris entre 7,2 et 7,6.

**Le niveau de chlore est incorrect.**

Vérifiez le traitement au chlore de l'eau et corrigez si nécessaire (enlevez le filtre de la piscine pendant le traitement.)

**L'hélice est brisée en raison d'un amas de cheveux.**

1. Enlevez les vis supérieures du couvercle supérieur.
2. Vérifiez si l'hélice est brisée ou a besoin d'être nettoyée.

**Il y a un obstacle dans le système de transmission du module de nettoyage.**

1. Tournez soigneusement l'appareil pour voir l'intérieur.
2. Faites pivoter les rails et les brosses à récurage à la main. Ils ne tournent pas alors qu'ils doivent le faire sans heurt.
3. Nettoyez et enlevez les obstacles et les débris si nécessaire.

**LE MODULE DE NETTOYAGE NE GRAVIT PAS LES PAROIS.**

**Le module de nettoyage ne gravit pas les parois de la piscine.**

1. Vérifiez que votre robot nettoyeur n'est pas un modèle de fond uniquement.
2. Vérifiez que P1, nettoyage du fond uniquement, n'est pas sélectionné sur le module de commande et d'alimentation (voir la rubrique « Programmation du robot nettoyeur »).

**Les filtres sont sales.** Nettoyez les filtres.

**L'hélice est brisée en raison d'un amas de cheveux.**

Vérifiez si l'hélice est brisée ou doit être nettoyée (voir la section « Vérification de la sortie d'eau de l'hélice »).

**Le niveau de pH est incorrect.**

Assurez-vous que le niveau de pH est compris entre 7,2 et 7,6.

**Le niveau de chlore est incorrect.**

Vérifiez le traitement au chlore de l'eau (enlevez le module de nettoyage de la piscine pendant le traitement.)

**La température de l'eau n'est pas optimale.**

La température recommandée est comprise entre 22 et 32°C (72 et 90°F).

**LE CÂBLE EST EMMÊLÉ.**

**Les filtres sont sales.** Nettoyez les filtres.

**Le couvercle inférieur n'est pas correctement fermé.**

Assurez-vous que le couvercle inférieur est correctement fermé.

**Le câble n'est pas étalé avant de plonger le module de nettoyage dans la piscine.**

Assurez-vous que le câble flottant est bien étalé et n'est pas emmêlé avant de mettre le robot nettoyeur en marche.

**La longueur du câble dans l'eau excède celle recommandée.**

Vérifiez que la longueur du câble dans l'eau est égale à la longueur de la diagonale de la piscine et avec un surplus de deux mètres.

**L'hélice est brisée en raison d'un amas de cheveux.**

Vérifiez si l'hélice est brisée ou doit être nettoyée (voir la section « Vérification de la sortie d'eau de l'hélice »).

**LA TÉLÉCOMMANDE NE FONCTIONNE PAS.**

**La batterie est vide. Le voyant lumineux clignote ou n'est pas en marche.**

Vérifiez la batterie en appuyant sur l'un des boutons. La lumière rouge de la télécommande ne clignote pas ou reste allumée en permanence lorsque la batterie est vide. Contactez votre revendeur ou votre centre de service.

# NETTOYEUR DE PISCINE TYPE CYCLONE

## 10. TÉLÉCOMMANDE

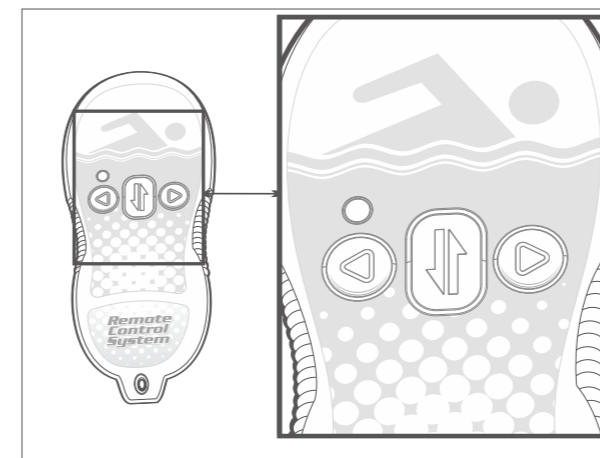
Ce chapitre porte sur le fonctionnement du module de commande à distance en option. La télécommande est incluse dans certains modèles.

### 10.1. PRÉSENTATION DE LA TÉLÉCOMMANDE

La télécommande est une option qui permet de contrôler le robot nettoyeur via des boutons de commande à distance. Lorsque vous appuyez sur les touches de la télécommande, le signal radio est transmis au module de commande et d'alimentation. Ce signal est transféré sous la forme d'une commande transmise au robot nettoyeur via le câble flottant.

### 10.2. UTILISATION DE LA TÉLÉCOMMANDE

1. Appuyez sur le bouton droit (3) pour orienter le robot nettoyeur vers la droite. Le robot nettoyeur continue à pivoter vers la droite jusqu'à ce que le bouton soit relâché.
2. Appuyez sur le bouton gauche (1) pour orienter le robot nettoyeur vers la gauche. Le robot nettoyeur continue à pivoter vers la gauche jusqu'à ce que le bouton soit relâché.
3. Appuyez sur le bouton « Avant/Arrière » (2) pour arrêter le robot nettoyeur et changer la direction du mouvement. Le voyant lumineux de la télécommande s'allume après chaque commande. Si la LED ne répond pas ou clignote, veuillez remplacer la batterie.



## 11. CADDY (EN OPTION)

### 11.1. OVERVIEW

Le caddy est un accessoire en option qui facilite le déplacement du robot nettoyeur, du câble flottant et du module de commande et d'alimentation d'un endroit à un autre.

### 11.2. MONTAGE DU CADDY

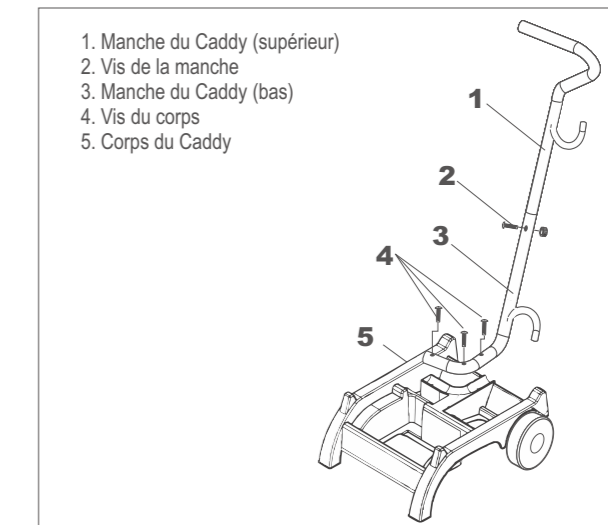
Pour monter le caddy, vous avez besoin d'un tournevis standard et d'une clé de 8 mm.

#### Connecting the Caddy Handle

1. Fixez la partie inférieure de la poignée (3) sur le châssis de caddy (5) avec les trois vis (4) et les écrous.
2. Joignez la partie supérieure de la poignée (1) à sa partie inférieure (3) avec la vis (2) et l'écrou.

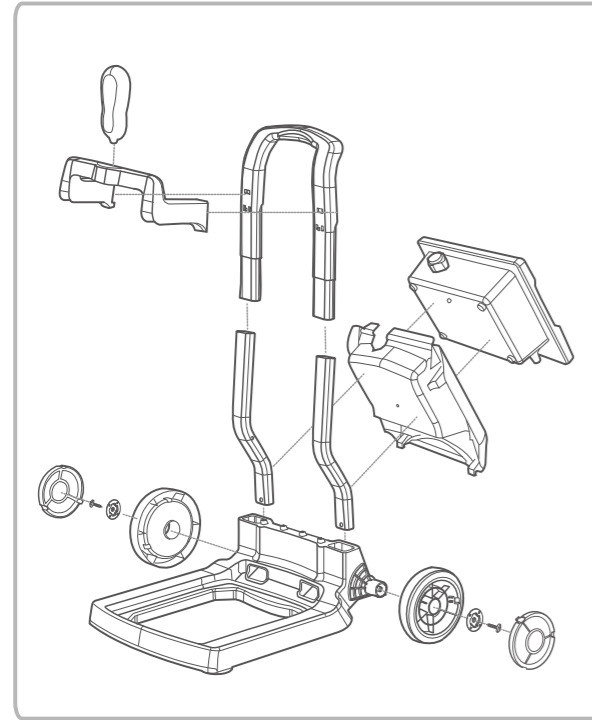
### 11.3. CHARGEMENT DU ROBOT NETTOYEUR SUR LE CADDY

1. Placez le module de nettoyage sur la base du caddy.
2. Enroulez le câble flottant et placez-le sur le module de nettoyage.
3. Placez le module de commande et d'alimentation au-dessus du rouleau de câble flottant..



# NETTOYEUR DE PISCINE TYPE CYCLONE

## 12. CHARIOT "TROLLY" (EN OPTION)

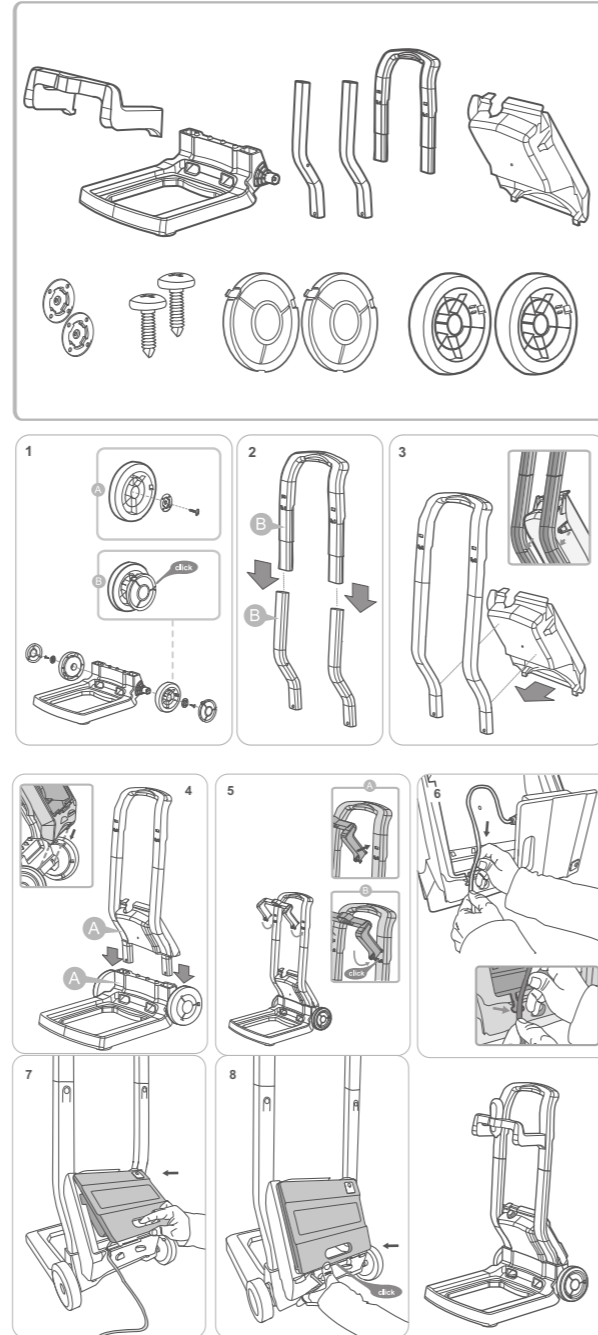


### 12.1. OVERVIEW

Le chariot est un accessoire en option qui facilite le déplacer du robot nettoyeur et qui offre un espace de montage du module de commande et d'alimentation.

### 12.1. MONTAGE DU CHARIOT

1. Fixez les roues des deux côtés de la base du chariot.
2. Fixez chaque roue avec la vis et installez le couvercle.
3. Montez les deux parties de la poignée.
4. Insérez la poignée dans la base de chariot. Faites cliquer les pattes inférieures du boîtier du module de commande et d'alimentation dans la base de chariot.
5. Fixez le support de la télécommande en insérant la partie supérieure dans la poignée du chariot et en la faisant tourner vers le bas jusqu'à ce qu'un clic se fasse entendre dans la partie inférieure.
6. Placez le câble du module de commande et d'alimentation dans la rainure de la base de chariot.
7. Fixez le boîtier du module de commande et d'alimentation en faisant cliquer les pattes supérieures dans les trous de la poignée.
8. Placez la partie supérieure du module de commande et d'alimentation dans le boîtier et poussez la partie inférieure vers le bas jusqu'à ce qu'un clic se fasse entendre dans la base de chariot.



## REMARQUES

---

---

---

---

---

---

---

---

---

---

---

---

---

## INHOUD

<b>1. BEKNOPTЕ HANDLEIDING</b>	<b>54</b>
<b>2. DRIJVENDE INSTALLATIE</b>	<b>54</b>
<b>3. VEILIGHEID</b>	<b>55</b>
<b>4. INLEIDING</b>	<b>55</b>
4.1 Overzicht van het systeem	55
4.2 Hoe de robotreiniger uw zwembad schoonmaakt	55
4.3 Gebruiksomstandigheden	56
<b>5. ONDERDELEN</b>	<b>56</b>
5.1 Reiniger en de belangrijkste onderdelen	56
5.2 Voedings- en regeleenheid	56
<b>6. GEBRUIK</b>	<b>56</b>
6.1 Voor het eerste gebruik	56
6.2 De reinigingseenheid in het water plaatsen	57
6.3 De robotreiniger starten	58
6.4 Reinigingscyclus	58
6.5 De werking van de robotreiniger stoppen	58
6.6 De reinigingseenheid uit het water trekken	58
<b>7. ONDERHOUD</b>	<b>59</b>
7.1 De filters reinigen	59
7.2 De robotreiniger bewaren	59
7.3 De waaier van de wateruitgang controleren	59
<b>8. DE ROBOTREINIGER PROGRAMMEREN</b>	<b>60</b>
8.1 Bedieningspaneel - knoppen en indicatoren	60
8.2 Opbouwknoppen	62
8.3 Een externe timer gebruiken	63
<b>9. PROBLEEMOPLOSSING</b>	<b>63</b>
<b>10. AFSTANDSBEDIENING</b>	<b>65</b>
10.1 Overzicht afstandsbediening	65
10.2 De afstandsbediening gebruiken	65
<b>11. CADDY (OPTIONEEL)</b>	<b>65</b>
11.1 Overzicht	65
11.2 De caddy monteren	65
11.3 De robotreiniger op de caddy zetten	65
<b>12. TROLLEY (OPTIONEEL)</b>	<b>66</b>
12.1 Overzicht	66
12.2 De trolley monteren	66

Fouten en technische aanpassingen zijn onderhevig aan wijziging, reproductie en elektronisch kopiëren en alleen na onze schriftelijke toestemming.

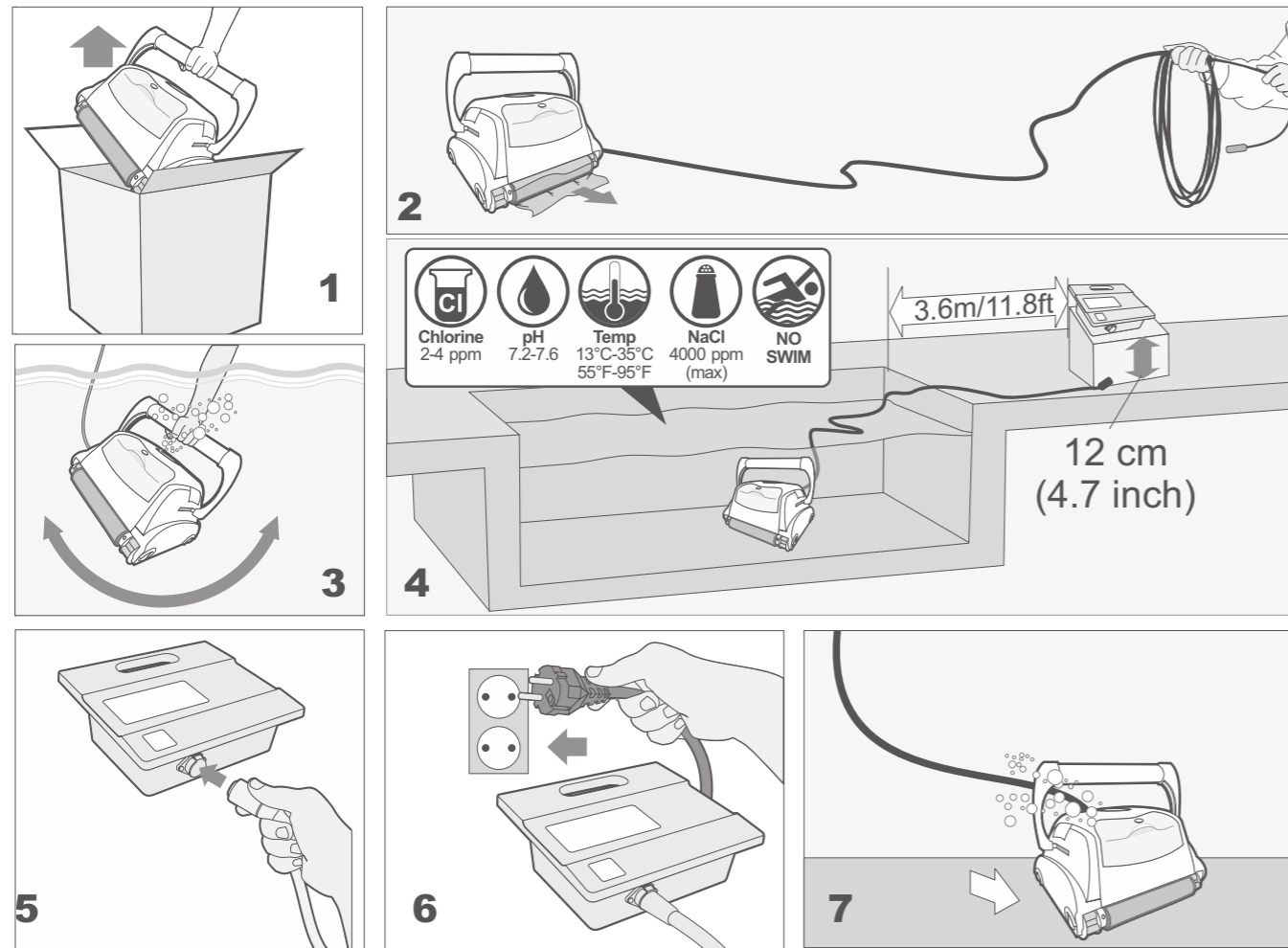
© NORSUP

Uitgave: 11.2020

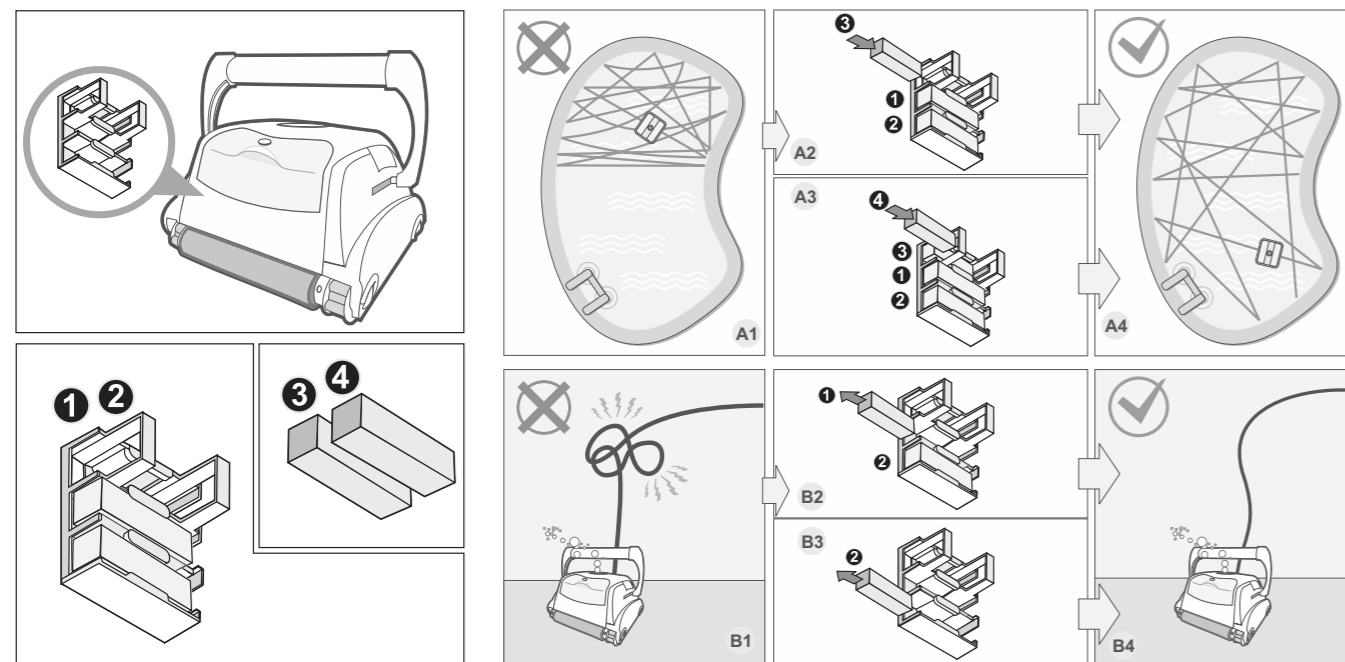


# ROBOT ZWEMBADREINIGER CYCLOONTYPE

## 1. BEKNOPTE HANDLEIDING



## 2. DRIJVENDE INSTALLATIE



# ROBOT ZWEMBADREINIGER CYCLOONTYPE

## 3. VEILIGHEID

### LEES DE BELANGRIJKE VEILIGHEIDSINSTRUCTIES EN VOLG ALLE INSTRUCTIES

OPGELET: Steek de stekker niet in een geaard stopcontact of schakel de zwembadreiniger niet „AAN“ voordat deze volledig in water is ondergedompeld. De reiniger gebruiken op het droge zal onmiddellijk tot ernstige schade leiden en de garantie doen vervallen.

Laat de reiniger 15 tot 20 minuten in het zwembad na het voltooien van de reinigingscyclus. Hierdoor kan de motor voldoende afkoelen. Laat de reiniger niet voortdurend in het zwembad. Vergeet nooit om de voeding „UIT“ te schakelen en de stekker uit het stopcontact te trekken voordat u de reiniger uit het zwembad haalt.

### WAARSCHUWING

De reiniger mag niet worden gebruikt als er zich mensen in het zwembad bevinden. Alleen voor gebruik in zwembaden

### Veiligheidsopmerking

- De eenheid moet worden gevoed via een differentieelschakelaar (RCD) met een nominale reststroom van maximaal 30 mA
- De aansluiting op de apparaatkring moet conform de lokale en nationale bedradingsregels zijn (elektrische code).
- Het fout gebruiken van de eenheid kan leiden tot het lekken van smeermiddelen.
- Als het netsnoer beschadigd is, moet die worden vervangen door de onderhoudsvertegenwoordiger van de fabrikant of door een gekwalificeerd en opgeleid persoon, om gevaarlijke situaties te vermijden.

### WAARSCHUWING

Een verliesstroomschakelaar (GFCI-USA) of een differentieelschakelaar (RCD-EUROPE) moet geïnstalleerd zijn om uw elektrische uitgang te beschermen en mogelijke elektrische schokken te voorkomen.  
**BEWAAR DEZE INSTRUCTIES**

### Aarding

De voeding moet worden aangesloten op een geaard stopcontact met 3 geleiders. De netvoeding moet worden aangesloten via een GFCI (verliesstroom-

schakelaar) of RCD (differentieelschakelaar) met een nominale reststroom van maximaal 30 mA.

### Zekering

De zekering mag alleen worden vervangen door een erkend onderhoudsvertegenwoordiger of door een opgeleid en gekwalificeerd persoon. Voor een blijvende bescherming tegen brand, mag de zekering alleen worden vervangen door eenzelfde type van zekering.

### Onderhoud en veiligheid

Het deksel mag alleen worden verwijderd door een erkend onderhoudsvertegenwoordiger of door een opgeleid en gekwalificeerd persoon. De gebruiker mag geen interne wijzigingen doen of geen onderdelen vervangen. Het netsnoer moet worden losgekoppeld vóór het verwijderen van het deksel. Als het netsnoer beschadigd is, moet dit worden vervangen door een erkend onderhoudsvertegenwoordiger of door een opgeleid en gekwalificeerd persoon. De voeding niet gebruiken als het netsnoer beschadigd is.

### Omgevingsomstandigheden

De voeding is ontworpen om zowel binnen als buiten te werken. De eenheid mag echter niet worden gebruikt in direct zonlicht en mag niet aan water blootgesteld worden. De voeding mag niet worden gebruikt bij een omgevingstemperatuur van meer dan 40°C.

## 4. INLEIDING

### 4.1 OVERZICHT VAN HET SYSTEEM

De robotreiniger veegt de bodem en de wanden van het zwembad om vuil in de interne filters te verzamelen. Deze gebruikshandleiding legt uit hoe de robotreiniger gebruikt moet worden, met inbegrip van de procedures voor schoonmaken, onderhoud en opslag.

### OPMERKING

Deze handleiding behandelt meerdere modellen van robotreinigers. Er zijn wat verschillen inzake onderdelen, overeenkomstig het model.

### 4.2 Hoe de robotreiniger uw zwembad schoonmaakt

Nadat de robotreiniger in het zwembad is geplaatst en is geactiveerd, werkt deze overeenkomstig het ingestelde programma, via de voedings- en regelenheid. De robotreiniger beweegt langs de bodem en de wanden van het zwembad en bestrijkt het volledige oppervlak van de bodem en de wanden van het zwembad. Wanneer de robotreiniger zijn programma heeft afgewerkt, blijft deze inactief op de bodem van het zwembad.

### OPMERKING

Op de muur klimmen is een optionele functie. Als de functie op de muur klimmen is ingeschakeld, klimt de robotreiniger op de muren, volgens bepaalde intervallen overeenkomstig het interne programma. De mogelijkheden van de robotreiniger om over trappen in het zwembad te klimmen, hangt af van de geometrie en het materiaal van de trappen.

# ROBOT ZWEMBADREINIGER CYCLOONTYPE

## 4.3 Gebruiksomstandigheden

De robotreiniger is bedoeld voor gebruik in zwembaden, onder de volgende omstandigheden:

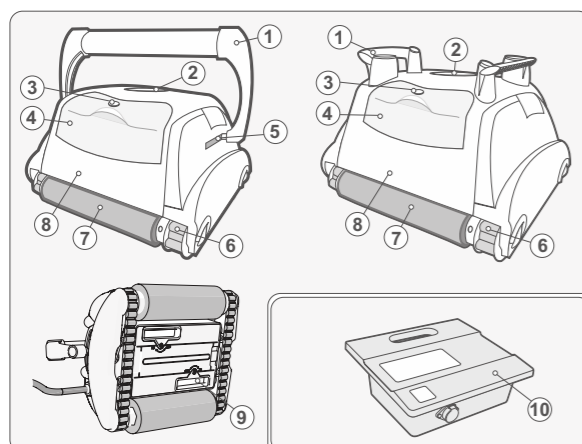
- Temperaturen van 13°C-35°C (55°F-95°F), de aanbevolen temperatuur is tussen 22°C-32°C (72°F-90°F).
- pH van het water: 7,2- 7,6
- Chloorgehalte: het zwembad wordt onderhouden overeenkomstig de aanwijzingen van de fabrikant van het zwembad. (aanbevolen 2-4 ppm)

## OPMERKING

Het zwembad niet onderhouden overeenkomstig de aanbevolen gebruiksomstandigheden, kan voorkomen dat de robotreiniger naar behoren werkt. Haal de reiniger uit het water tijdens een „Chemische schokbehandeling“ van het zwembadwater.

## 5. ONDERDELEN

### 5.1. REINIGER EN DE BELANGRIJKSTE ONDERDELEN



1. Handgreep
2. Uitlaatdeksel
3. Vrijgave filtervergrendeling
4. Toegang bovenkant filter
5. Mechanisme handgreepvergrendeling
6. Aandrijving
7. Schrobborstel
8. Behuizing van de eenheid
9. Waterinlaat
10. Voeding

### Optioneel

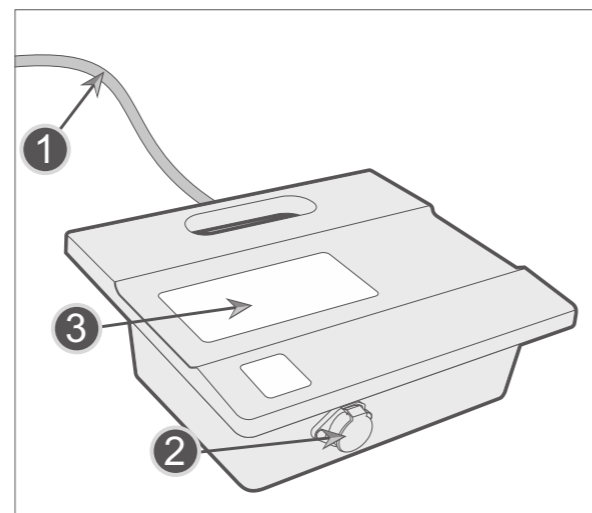


11. Afstandsbediening
12. "Trolley" karretje
13. "Caddy" karretje
14. Timer (afzonderlijk te kopen)

### 5.2. VOEDINGS- EN REGELEENHEID

De voedings- en regeleenheid is op de robotreiniger aangesloten via een drijvende kabel. De eenheid wordt gevoed door wisselstroom (1) en levert laagspanning en commando's naar de reiniger via de uitlaat-

aansluiting (2). De eenheid is uitgerust met een bedieningspaneel (3) met verschillende regelingen om de robotreiniger te gebruiken.



### Inhoud van de verpakking

De robotreiniger is verpakt in een doos met:

- Robotreiniger en drijvende kabel
- Voedings- en regeleenheid
- Gebruikershandleiding

Afhankelijk van het gekochte model, kunnen de volgende accessoires in het pakket zijn inbegrepen:

- Afstandsbediening
- Caddy
- Trolley
- Extra accessoires

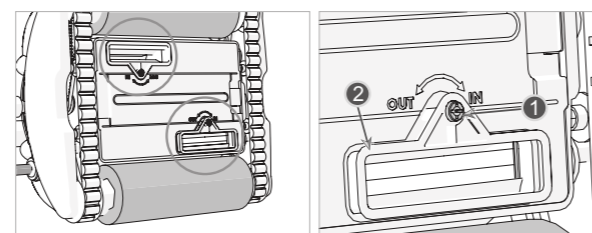
## 6. GEBRUIK

### 6.1. VOOR HET EERSTE GEBRUIK

De zuighoogte aanpassen: Plaats de aanzuig (2) dicht bij het zwembadoppervlak om het zuigvermogen en de kwaliteit van de reiniging te verhogen. De aanzuig laten zakken zou kunnen leiden tot storing door voorwerpen op de bodem en de wanden van het zwembad.

Pas de positie van de knop van de aanzuig aan met een schroevendraaier (1).

- IN - trekt de aanzuig weg van het zwembadoppervlak en verlaagt de zuigkracht.
- UIT - brengt de aanzuig dicht bij het zwembadoppervlak en verhoogt de zuigkracht.

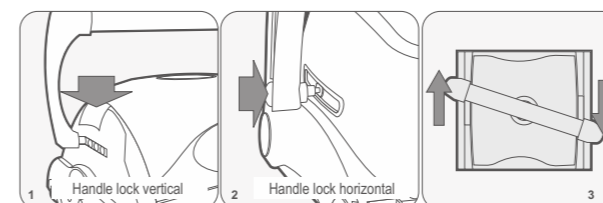


# ROBOT ZWEMBADREINIGER CYCLOONTYPE

## De drijvende handgreep aanpassen

Stel de drijvende handgreep in op modellen die op muren klimmen:

1. Druk op de vergrendelknop (1 of 2, afhankelijk van het model) om de handgreepvergrendeling vrij te geven.
2. Plaats de handgreep (3) diagonaal, op de maximale stand.
3. Herhaal stappen 1 en 2 op de andere kant van de reinigingseenheid.

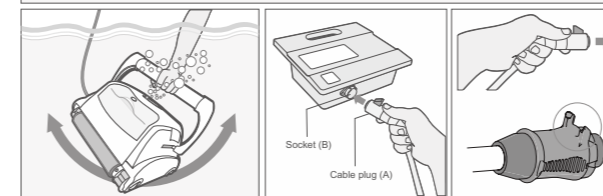
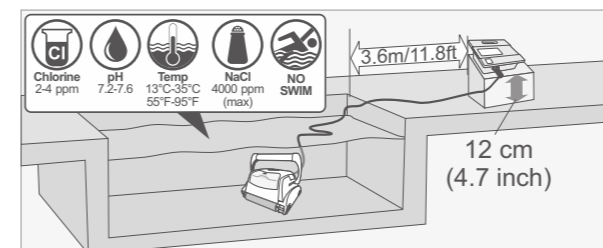


### De borstelbeschermingen verwijderen

De robotreiniger wordt verzonden met een bescherming over de schrobborstels. Haal de nylon beschermingen voorzichtig van de schrobborstels.

## OPGELET

Gebruik geen scherp gereedschap om deze te verwijderen, dit zou de borstels kunnen beschadigen.



## De voedings- en regeleenheid plaatsen

4. Plaats de voedings- en regeleenheid minstens 3,6 meter /11.8 feet van het zwembad en minstens 12 cm/4 inch boven het oppervlak.

## OPGELET

Gebruik geen scherp gereedschap om deze te verwijderen, dit zou de borstels kunnen beschadigen.

5. Maak de drijvende plastic banden, die gebruikt worden om de kabels te bevestigen tijdens transport, los door op de plastic klem om de band te drukken.

## Voordat u de reiniger in het water plaatst

1. Zorg ervoor dat er niemand in het zwembad is.
2. Zorg ervoor dat de filters schoon zijn.
3. Zorg ervoor dat er wordt voldaan aan de zwembadvoorwaarden; (zie "Bedrijfsomstandigheden").

## 6.2. DE REINIGINGSEENHEID IN HET WATER PLAATSEN

1. De drijvende kabel afrollen. Het wordt aanbevolen om de kabel wat langer te maken, de lengte van het diagonaal van het zwembad plus twee extra meter.
2. Plaats de reinigingseenheid in het zwembad.
3. Laat de robotreiniger tot op de bodem van het zwembad zakken. Niet in gebruik nemen voordat de robotreiniger de bodem van het zwembad heeft bereikt.
4. Verspreid de drijvende kabel over het zwembad. Zorg ervoor dat de vereiste lengte van de kabel over het zwembad is uitgespreid. Haal knopen of verdraaiingen uit de kabel. Rol extra kabel af buiten het zwembad, in de buurt van de voedings- en regeleenheid.
5. Sluit de drijvende kabel (A) aan op aansluiting (B) op de voedings- en regeleenheid.

## OPGELET

De reiniger gebruiken op het droge zal veroorzaken onmiddellijk ernstige schade en zal de garantie doen vervallen.

# ROBOT ZWEMBADREINIGER CYCLOONTYPE

## 6.3. DE ROBOTREINIGER STARTEN

Sluit de voedings- en regeleenheid aan op het stopcontact (1). De aan/uit-LED (4) brandt en de robotreiniger begint aan het reinigingsprogramma. Als de voedings- en regeleenheid al op het AC-stopcontact zijn aangesloten, zal de aan/uit-LED (5) knipperen om aan te geven dat de robotreiniger in de stand-bymodus staat. Druk op aan-/uitknop (6). De aan/uit-LED (6) gaat branden en de robotreiniger begint aan het reinigingsprogramma.

### OPMERKING

Als de LED Filter controleren (3) (optioneel bij sommige modellen) brandt, dan moeten de filters van de robotreinigers schoongemaakt worden, voordat de reinigingseenheid in het zwembad wordt geplaatst.

## 6.4. REINIGINGSCYCLUS

Tijdens de reinigingscyclus, zal de robotreiniger:

- Over de bodem van het zwembad bewegen en vuil oprapen.
- Automatisch draaien en van richting veranderen, overeenkomstig het geselecteerde programma.
- Elke paar minuten tegen de wanden van het zwembad klimmen, zoals is ingesteld in het interne programma.

### OPMERKING

De robotreiniger kan occasioneel enkele seconden stoppen met bewegen. Dit is normaal, geen storing.

## 6.5. DE WERKING VAN DE ROBOTREINIGER STOPPEN

De robotreiniger gaat automatisch in STAND-BY na elke reinigingscyclus en de aan/uit-LED (5) begint te knipperen.

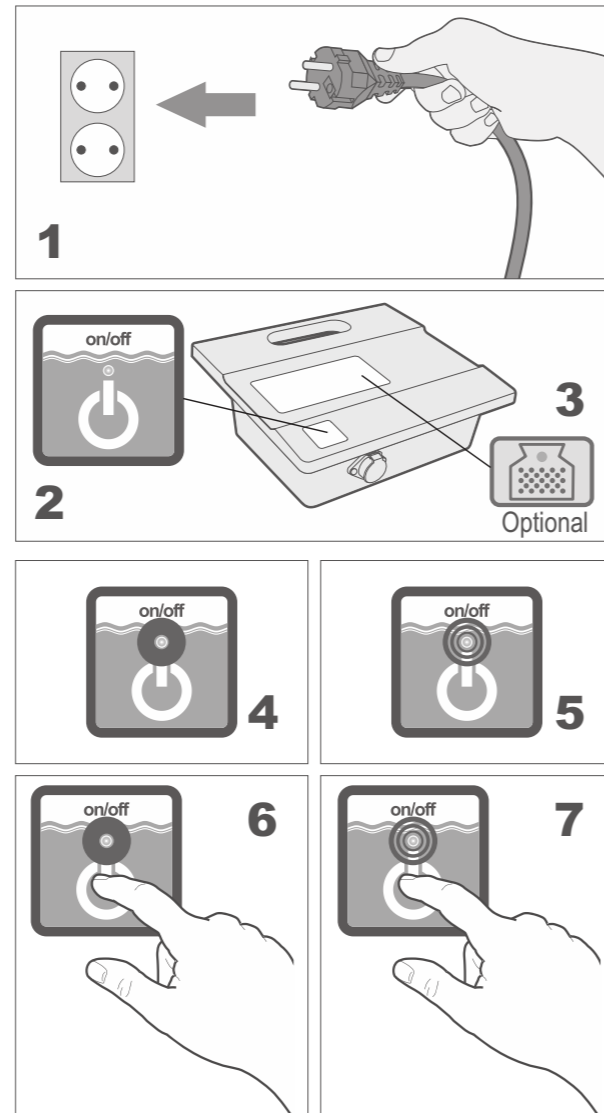
Druk eenmaal om de aan-/uitknop (7) om de robotreiniger te stoppen tijdens een reinigingscyclus. De aan/uit-LED (7) begint te knipperen en de reiniger staat in de stand-bymodus.

## 6.6. DE REINIGINGSEENHEID UIT HET WATER TREKKEN

1. Trek de drijvende kabel uit de voedings- en regeleenheid.
2. Trek aan de drijvende kabel om de reinigingseenheid dichterbij de kant te trekken, tot het mogelijk is om de handgreep vast te nemen.
3. Trek de reinigingseenheid uit het zwembad met de handgreep.

### CAUTION

Do not use the floating cable to lift the cleaner unit out of the water.



# ROBOT ZWEMBADREINIGER CYCLOONTYPE

## 7. ONDERHOUD

### 7.1. DE FILTERS REINIGEN

De twee filters moeten na elke reinigingscyclus worden gereinigd.

1. Maak het filter los en trek het uit de reinigingseenheid. (1), (2)
2. Trek de filterdeur tegen de filterbehuizing om het filterpatroon te openen. (3), (4)
3. Spuit water op de zijanten van het filter en spuit daarna water in de binnenkant van het filter om al het vuil weg te spoelen. (5)
4. Controleer of de kleine plastic sluiting (2) op zijn plaats zit en niet gebroken is en sluit daarna het filter. (6)
5. Plaats het filter terug in positie tot u een klik hoort, die aangeeft dat het filter goed geplaatst is. (7), (8)

### 7.2. DE ROBOTREINIGER BEWAREN

Volg deze instructies om de robotreiniger te bewaren wanneer deze niet wordt gebruikt:

1. Trek de stekker uit het stopcontact.
2. Koppel de drijvende kabel los van de voedings- en regeleenheid.
3. Leg de drijvende kabel open en verwijder verdraaiingen in de kabel.
4. Maak de binnenkant van de reinigingseenheid schoon met zuiver water en laat het drogen.
5. Rol de drijvende kabel op en leg deze OP DE REINIGINGSEENHEID.



### OPGELET

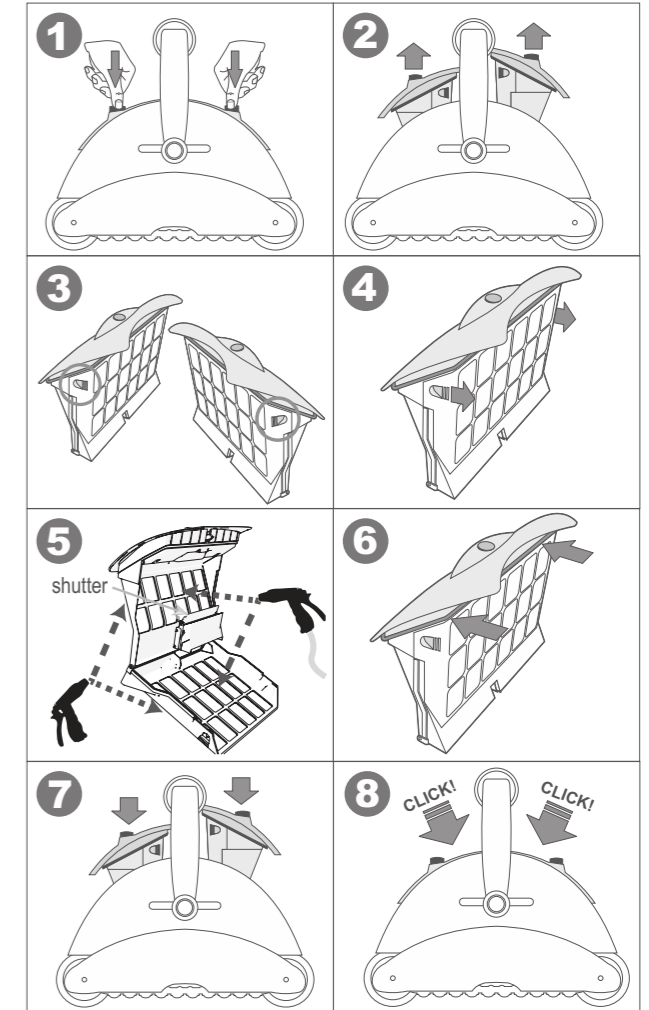
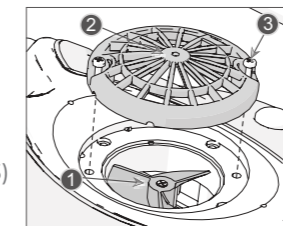
De kabel niet OPROLEN ROND DE HANDGREEP van de reinigingseenheid.

6. Bewaar de onderdelen van de robotreiniger op een droge, gesloten plaats.
7. Ga na of de voedings- en regeleenheid niet aan water wordt blootgesteld.

### 7.3. DE WAAIER VAN DE WATERUITGANG CONTROLEREN

Het wordt aanbevolen om periodiek het vuil en haar uit de waaier van de wateruitgang te verwijderen:

1. Verwijder de schroeven (3) die het deksel van de wateruitlaat (2) vasthouden.
2. Verwijder het deksel van de wateruitlaat (2).
3. Verwijder haren, vuil of afval.
4. Ga na of de waaier (1) niet gebroken is.
5. Plaats het deksel (2) opnieuw en zet het vast met de schroeven (3).



# ROBOT ZWEMBADREINIGER CYCLOONTYPE

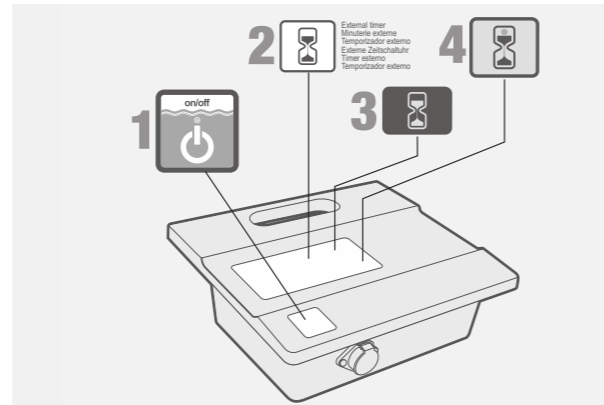
## 8. DE ROBOTREINIGER PROGRAMMEREN

In dit hoofdstuk worden de opties voor programmeren bekeken. Sla dit hoofdstuk over als uw model niet programmeerbaar is of als de robotreiniger al geprogrammeerd is.

### 8.1. BEDIENINGSPANEEL - KNOPPEN EN INDICATOREN

Het bedieningspaneel bestaat uit:

- Aan/Uit (1) - start en stopt de robotreiniger.
- Functiebeschrijving (2) - beschrijft de functie
- Bedieningsknoppen (3) - donkerblauw, maakt selectie van de relevante functie mogelijk.
- Statusweergave (4) - indicatie-LED die brandt om de geselecteerde optie of de status van de reiniger weer te geven.



# Aquacontrol

check filter  
chèque filtre  
filter überprüfen  
controllare il sacchetto filtrante  
revise el filtro

cleaning time  
temps de nettoyage  
reinigungszeit  
tempo di pulizia  
tiempo de limpieza

2.0H

1.5H

## SPS 100

**Aquacontrol**

- Cleaning program  
Mode nettoyage  
Programa de limpieza  
Reinigungsprogramm  
Programma di pulizia  
Programa de limpeza
- Internal timer  
Minuterie interne  
Temporizador interno  
Interne Zeitschaltuhr  
Timer interno  
Temporizador interno
- Check filter  
Vérifiez le filtre  
Revise el filtro  
Filter überprüfen  
Controllare il sacchetto filtrante  
Verifique o Filtro
- External timer  
Minuterie externe  
Temporizador externo  
Externe Zeitschaltuhr  
Timer esterno  
Temporizador externo

PROGRAM 03	96h	
PROGRAM 02	72h	
PROGRAM 01	48h	

**SPS 200**

# ROBOT ZWEMBADREINIGER CYCLOONTYPE

**Aquacontrol**

- Swivel  
Pivot  
Swivel  
Drehlager  
Manopola di disattorcigliamento  
Swivel
- Cleaning program  
Mode nettoyage  
Programa de limpieza  
Reinigungsprogramm  
Programma di pulizia  
Programa de limpeza
- Internal timer  
Minuterie interne  
Temporizador interno  
Interne Zeitschaltuhr  
Timer interno  
Temporizador interno

**Aquacontrol**

- Auto detect  
Auto detection  
Auto detección  
Automatische erkennung  
Auto diagnosi  
Detección automática
- Swivel  
Pivot  
Swivel  
Drehlager  
Manopola di disattorcigliamento  
Swivel
- Internal timer  
Minuterie interne  
Temporizador interno  
Interne Zeitschaltuhr  
Timer interno  
Temporizador interno
- External timer  
Minuterie externe  
Temporizador externo  
Externe Zeitschaltuhr  
Timer esterno  
Temporizador externo

**Aquacontrol**

- Pool shape  
Forme de piscine  
Forme de la piscine  
Beckenform  
Forma piscina  
Forma da piscina
- Cleaning program  
Mode nettoyage  
Programa de limpieza  
Reinigungsprogramm  
Programma di pulizia  
Programa de limpeza
- Check filter  
Vérifiez le filtre  
Revise el filtro  
Filter überprüfen  
Controllare il sacchetto filtrante  
Verifique o Filtro

HIGH

NORMAL

PROGRAM 03

PROGRAM 02

PROGRAM 01

96h

72h

48h

## SPS 300

**Aquacontrol**

- Auto detect  
Auto detection  
Auto detección  
Automatische erkennung  
Auto diagnosi  
Detección automática
- Swivel  
Pivot  
Swivel  
Drehlager  
Manopola di disattorcigliamento  
Swivel
- Internal timer  
Minuterie interne  
Temporizador interno  
Interne Zeitschaltuhr  
Timer interno  
Temporizador interno
- External timer  
Minuterie externe  
Temporizador externo  
Externe Zeitschaltuhr  
Timer esterno  
Temporizador externo

**Aquacontrol**

- Pool shape  
Forme de piscine  
Forme de la piscine  
Beckenform  
Forma piscina  
Forma da piscina
- Cleaning program  
Mode nettoyage  
Programa de limpieza  
Reinigungsprogramm  
Programma di pulizia  
Programa de limpeza
- Check filter  
Vérifiez le filtre  
Revise el filtro  
Filter überprüfen  
Controllare il sacchetto filtrante  
Verifique o Filtro

HIGH

NORMAL

PROGRAM 03

PROGRAM 02

PROGRAM 01

96h

72h

48h

## SPS 400

**Aquacontrol**

- Auto detect  
Auto detection  
Auto detección  
Automatische erkennung  
Auto diagnosi  
Detección automática
- Swivel  
Pivot  
Swivel  
Drehlager  
Manopola di disattorcigliamento  
Swivel
- Cleaning Level  
Niveau de Nettoyage  
Nível de Limpeza  
Reinigungsstufe  
Livello di Pulizia  
Nível de Limpeza
- Delay  
Retard  
Retrasar  
Verzögerung  
Ritardo  
Atrasar

**Aquacontrol**

- Pool shape  
Forme de piscine  
Forme de la piscine  
Beckenform  
Forma piscina  
Forma da piscina
- Cleaning program  
Mode nettoyage  
Programa de limpieza  
Reinigungsprogramm  
Programma di pulizia  
Programa de limpeza
- Check filter  
Vérifiez le filtre  
Revise el filtro  
Filter überprüfen  
Controllare il sacchetto filtrante  
Verifique o Filtro

HIGH

NORMAL

PROGRAM 03

PROGRAM 02

PROGRAM 01

96h

72h
















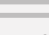

48h

## SPS 500

# ROBOT ZWEMBADREINIGER CYCLOONTYPE

## 8.2. OPBOUWKNOPPEN

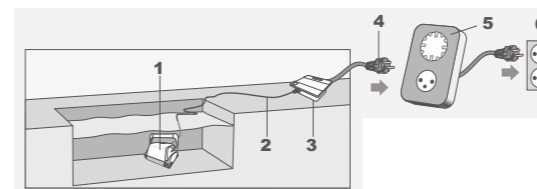
### MODEL

100/200 300/400 500		<b>Controleer filter</b> - Een brandend lampje betekent dat de filterzak moet worden verwijderd, gereinigd en opnieuw in de robot geplaatst moet worden voor een efficiënte werking. In modellen 300, 400, 500 - de robotfilter zal stoppen met op de muren te klimmen als het lampje Controleer filter brandt
100		<b>Reinigingstijd</b> - tijd die wordt gespendeerd aan het reinigen van het zwembad. Druk op de knop om de gewenste tijd in te stellen. Een rood lampje zal uw selectie aangeven. <b>Deze functie kan alleen worden geselecteerd als de elektrische voeding in de stand-bymodus staat</b>
200 300/400		<b>Interne timer - Optie voor automatische werking:</b> Elke 48 uur Elke 72 uur Elke 96 uur
200/300		<b>Selectie reinigingsprogramma:</b> Programma 01-1 uur reinigen van bodem en wanden Programma 02 - 1,5 uur reinigen van bodem en wanden. Programma 03-2 uur reinigen van bodem en wanden.
400		<b>Selectie reinigingsprogramma:</b> Programma 01 - 1,5 uur alleen bodem reinigen Programma 02-2 uur reinigen van bodem en wanden. Programma 03-2,5 uur reinigen van bodem en wanden.
500		<b>Selectie reinigingsprogramma.</b> Programma 01 - 2 uur alleen bodem reinigen Programma 02 - 4 uur reinigen van bodem en wanden (op bepaalde modellen is de functie voor het reinigen van de wanden niet beschikbaar) Programma 03 - 5 uur reinigen van bodem en wanden (op bepaalde modellen is de functie voor het reinigen van de wanden niet beschikbaar)
200 300/400		<b>Externe timer</b> Deze functie geeft de eindgebruiker de optie om de reinigingsplanning te programmeren via een externe timer (afzonderlijk verkocht). Op deze knop drukken schakelt deze functie in en uit.
300/400 500		<b>Ronddraaien</b> - past het aantal keer dat de robot in het zwembad rondraait aan. Normaal - Standaard werking Hoog - Ander aantal keer ronddraaien
400/500		<b>Automatische detectie:</b> deze functie voorkomt dat de robot vast komt te zitten op obstakels in het zwembad, zoals hoofddrains, trappen, ladders enz. Druk op deze knop om een van de volgende opties te kiezen:  <b>Automatische detectie - UIT.</b> Kies deze optie als uw zwembad obstakels op de bodem heeft, zoals een hoge drain. Dit zal voorkomen dat de eenheid van richting verandert als het obstakel wordt geraakt.  <b>Automatische detectie - Aan.</b> Kies deze optie als er geen obstakels zijn op de bodem van het zwembad.
400/500		<b>Vorm van het zwembad:</b> Maakt het voor de robot mogelijk om het meest efficiënte reinigingspatroon te berekenen voor de gekozen vorm van het zwembad. Druk op de knop om de tekening te kiezen die het best past bij de vorm van het zwembad. Een rood lampje zal uw selectie aangeven.
500		<b>Reinigingsniveau - Wijzig de reinigingsprestaties</b>  Snel: Kies dit als uw zwembad weinig vervuild is  Normaal: Kies dit voor dagelijks onderhoud  Grondig: Kies dit als uw zwembad erg vervuild is
500		<b>Vertraging</b> Als deze optie Aan staat, zal de robot in werking treden na een vertraging van 2 uur. Deze functie wordt gebruikt om vuil en afval tot op de bodem te laten zinken voordat de robot begint met reinigen.

# ROBOT ZWEMBADREINIGER CYCLOONTYPE

## 8.3. EEN EXTERNE TIMER GEBRUIKEN

(Optioneel, moet afzonderlijk worden gekocht)  
Er kan een externe timer worden gebruikt om de reiniger automatisch te activeren op een vooraf ingestelde tijd. De externe timer moet worden aangesloten tussen het stopcontact en de voedings- en regeleenheid.



1. Eenheid
2. Kabel
3. Voeding
4. Voedingsstekker
5. Externe timer
6. Stopcontact (afzonderlijk te kopen)

## 9. PROBLEEMOPLOSSING

### REINIGER SCHAKELT NIET AAN.

#### Het stopcontact staat niet onder spanning.

1. Koppel de reiniger los van de voedings- en regeleenheid.
2. Trek de stekker uit het stopcontact, wacht 30 seconden en steek de stekker opnieuw in het stopcontact.
3. Zet de voeding AAN. Steek de stekker in een ander stopcontact als er geen spanning is.

#### Drijvende kabel niet goed aangesloten op de voedings- en regeleenheid.

Sluit de drijvende kabel opnieuw aan op de voedings- en regeleenheid.

#### Obstakel in het aandrijfsysteem van de reinigingseenheid.

1. Draai de reinigingseenheid voorzichtig om, om de onderkant te bekijken.
2. Draai de wielletjes en de schrobborstels met de hand. Ze zouden moeten draaien, maar niet zonder weerstand.
3. Reinig en verwijder obstakels en afval indien nodig.

#### De waaier zit vast als gevolg van de opbouw van haren.

Controleer of de waaier gebroken is of gereinigd moet worden (zie „Waaier wateruitlaat controleren“).

#### REINIGER BEWEEGT MAAR VERPOMPT GEEN WATER. Filters zijn vuil.

1. Verwijder de filters
2. Zet de robotreiniger in werking in het zwembad zonder de filters. Als deze normaal werkt, reinig dan de filters of vervang ze.

#### De waaier is gebroken of zit vast als gevolg van de opbouw van haren.

Controleer of de waaier gebroken is of gereinigd moet worden (zie „Waaier wateruitlaat controleren“).

#### DE REINIGER VERPOMPT WATER MAAR BEWEEGT NIET.

##### Obstakel in het aandrijfsysteem van de reinigingseenheid.

1. Draai de reinigingseenheid voorzichtig om, om de onderkant te bekijken.
2. Draai de wielletjes en de schrobborstels met de hand. Ze zouden moeten draaien, maar niet zonder weerstand.
3. Reinig en verwijder obstakels en afval indien nodig.

#### DE REINIGER START EN SCHAKELT UIT NA KORTE TIJD.

##### Filters zijn vuil.

1. Verwijder de filters.
2. Zet de robotreiniger in werking zonder de filters. Als deze normaal werkt, reinig dan de filters of vervang ze.

#### De waaier is gebroken of zit vast als gevolg van de opbouw van haren.

1. Verwijder de bovenste schroeven op de bovenste uitlaat.
2. Controleer of de waaier gebroken is of gereinigd moet worden.

#### Obstakel in het aandrijfsysteem van de reinigingseenheid.

1. Draai de reinigingseenheid voorzichtig om, om de onderkant te bekijken.
2. Draai de wielletjes en de schrobborstels met de hand. Ze zouden moeten draaien, maar niet zonder weerstand.
3. Reinig en verwijder obstakels en afval indien nodig.

#### REINIGER PIKT GEEN VUIL OP.

##### Filters zijn vuil of er zijn gaten in.

Reinig zoals nodig en kijk na of er geen gaten in de filters zijn.

#### De waaier is gebroken of zit vast als gevolg van de opbouw van haren.

Controleer of de waaier gebroken is of gereinigd moet worden (zie „Waaier wateruitlaat controleren“).

#### De aanzuiginlaat bevindt zich niet dicht genoeg tegen de bodem van het zwembad.

Verplaats de aanzuiginlaat NAAR BUITEN (zie „Aanzuighoogte aanpassen“).

#### ER KOMT VUIL UIT DE REINIGER ALS DEZE UIT HET ZWEMBAD WORDT GEHAALD.

##### De filterklep is gebroken of ontbreekt.

Open de filters en kijk na of de filterklep niet gebroken is en goed werkt (zie „Filters reinigen“)

##### Gaten in de filters.

Open de filters en kijk na of er geen gaten in het filtergaas zijn (zie „Filters reinigen“)

##### Het onderste deksel is niet goed gesloten.

Zorg ervoor dat het onderste deksel goed gesloten is.



# ROBOT ZWEMBADREINIGER CYCLOONTYPE

## DE REINIGINGSEENHEID BESTRIJKT NIET DE VOLLEDIGE BODEM.

**Filters zijn vuil.**  
Reinig de filters.

**De drijvende kabel in het water is niet lang genoeg om het verste einde van het zwembad te bereiken, of de kabel is verstrikt.**

1. Kijk na of de lengte van de drijvende kabel in het water lang genoeg is om het verste einde van het zwembad te bereiken.
2. Zorg ervoor dat de drijvende kabel goed uitgespreid is en niet verstrikt is.

**De hoek van de drijvende handgreep hindert de beweging van de reiniger.**

Verhoog de diagonale hoek van de drijvende handgreep (zie „Drijvende handgreep aanpassen“).

**Het pH-gehalte van het zwembad is niet juist.**

Zorg ervoor dat het pH-gehalte tussen 7,2 en 7,6 is.

**Het chloorgehalte is niet juist.**

Controleer de chloorbehandeling van het water en corrigeer dit indien nodig (Haal de reiniger uit het zwembad tijdens de behandeling.)

**De waaier is gebroken of zit vast als gevolg van de opbouw van haren.**

1. Verwijder de bovenste schroeven op de bovenste uitlaat.
2. Controleer of de waaier gebroken is of gereinigd moet worden.

**Obstakel in het aandrijfsysteem van de reinigingseenheid.**

1. Draai de reinigingseenheid voorzichtig om, om de onderkant te bekijken.
2. Draai de wieljes en de schrobborstels met de hand. Ze zouden moeten draaien, maar niet zonder weerstand.
3. Reinig en verwijder obstakels en afval indien nodig.

## DE REINIGER KLIMT NIET OP DE WANDEN.

**De reiniger klimt niet op de wanden van het zwembad.**

1. Kijk na of uw robotreiniger geen model voor alleen vloerreiniging is.
2. Kijk na of P1, alleen vloerreiniging, niet is geselecteerd op de voedings- en regeleenheid (zie „Robotreiniger programmeren“).

**Filters zijn vuil.**  
Reinig de filters.

**De waaier is gebroken of zit vast als gevolg van de opbouw van haren.**

Controleer of de waaier gebroken is of gereinigd moet worden (zie „Waaier wateruitlaat controleren“).

**Het pH-gehalte is niet juist.**

Zorg ervoor dat het de pH tussen 7,2 en 7,6 is.

**Het chloorgehalte is niet juist.**

Controleer de chloorbehandeling van het water (haal de reiniger uit het zwembad tijdens behandeling).

**De watertemperatuur is niet optimaal.**

De aanbevolen temperatuur is tussen 22°C-32°C (72°F-90°F).

## DE KABEL IS VERSTRIKT.

**Filters zijn vuil.**  
Reinig de filters.

**Het onderste deksel is niet goed gesloten.**

Zorg ervoor dat het onderste deksel goed gesloten is.

**De kabel was niet uitgespreid voordat de reinigingseenheid in het zwembad werd geplaatst.**

Zorg ervoor dat de drijvende kabel goed uitgespreid en niet verstrikt is voordat u de robotreiniger in werking zet.

**De lengte van de kabel in het water is te lang.**

Kijk na of de lengte van de kabel in het water gelijk is aan de diagonale lengte van het zwembad plus twee meter.

**De waaier is gebroken of zit vast als gevolg van de opbouw van haren.**

Controleer of de waaier gebroken is of gereinigd moet worden (zie „Waaier wateruitlaat controleren“).

## DE AFSTANDSBEDIENING WERKT NIET.

**De batterij is leeg. De LED knippert of is UIT.**

Controleer de batterij door op een van de knoppen te drukken. Het rode lichtje op de afstandsbediening knippert niet of brandt voortdurend als de batterij leeg is. Neem contact op met uw verdeler of onderhoudscentrum.

# ROBOT ZWEMBADREINIGER CYCLOONTYPE

## 10. AFSTANDSBEDIENING

In dit hoofdstuk wordt de werking van de optionele afstandsbediening behandeld. De afstandsbediening is bij sommige modellen niet inbegrepen.

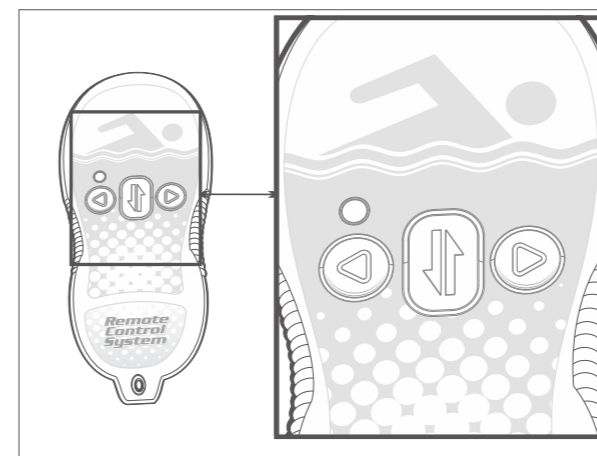
### 10.1. OVERZICHT AFSTANDSBEDIENING

De afstandsbediening is een optionele functie waarmee de robotreiniger bediend kan worden via externe commandoknoppen. Als er op de knoppen van de afstandsbediening wordt gedrukt, wordt een radiosignaal naar de voedings- en regeleenheid gestuurd. Dit signaal wordt omgezet in een commando dat via de drijvende kabel naar de robotreiniger wordt gestuurd.

### 10.2. DE AFSTANDSBEDIENING GEBRUIKEN

1. Druk op de knop naar rechts (3) om de robotreiniger naar rechts te sturen. De robotreiniger blijft naar rechts draaien tot de knop wordt losgelaten.
2. Druk op de knop naar links (1) om de robotreiniger naar links te sturen. De robotreiniger blijft naar links draaien tot de knop wordt losgelaten.
3. Druk op de knop vooruit/achteruit (2) om de robotreiniger te stoppen en de bewegingsrichting te veranderen.

De LED op de afstandsbediening gaat branden na elk commando. Als de LED niet reageert of knippert, vervang dan de batterij.



## 11. CADDY (OPTIONEEL)

### 11.1. OVERZICHT

De caddy is een optioneel accessoire dat het gemakkelijk maakt om de robotreiniger, de drijvende kabel en de voedings- en regeleenheid te verplaatsen.

### 11.2. DE CADDY MONTEREN

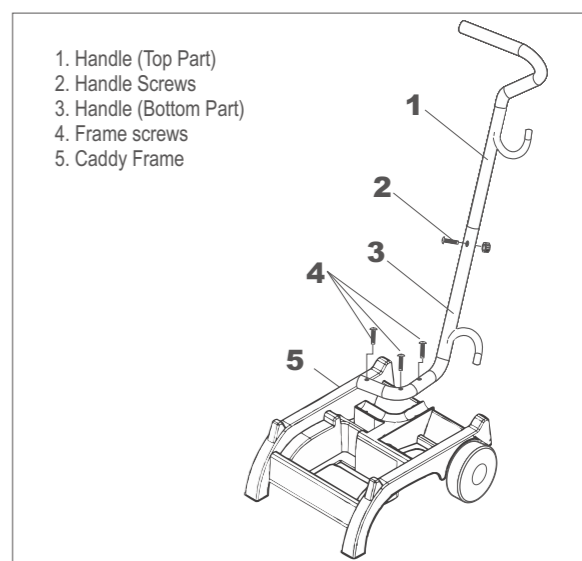
Om de caddy te monteren, hebt u een standaard schroevendraaier en een sleutel van 8 mm nodig.

**De handgreep van de caddy bevestigen**

1. Zet het onderste deel van de handgreep (3) vast aan het frame van de caddy (5) met de drie schroeven (4) en moeren.
2. Bevestig het bovenste deel van de handgreep (1) aan het onderste deel (3) met de schroef (2) en de moer.

### 11.3. DE ROBOTREINIGER OP DE CADDY ZETTEN

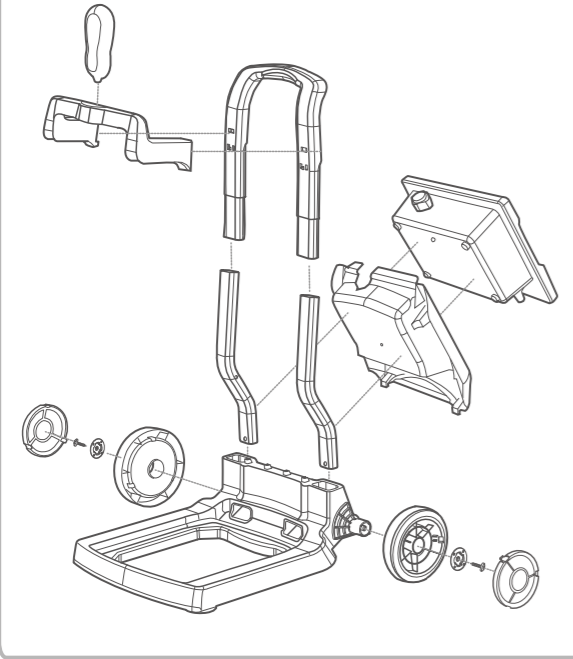
1. Plaats de reinigingseenheid in de voet van de caddy.
2. Rol de drijvende kabel op en leg deze op de reinigingseenheid.
3. Zet de voedings- en regeleenheid bovenop de haspel voor de drijvende kabel.



# ROBOT ZWEMBADREINIGER CYCLOONTYPE

## 12. TROLLEY (OPTIONEEL)

### Assembly Diagram



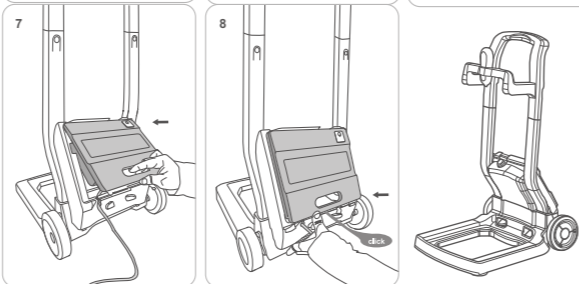
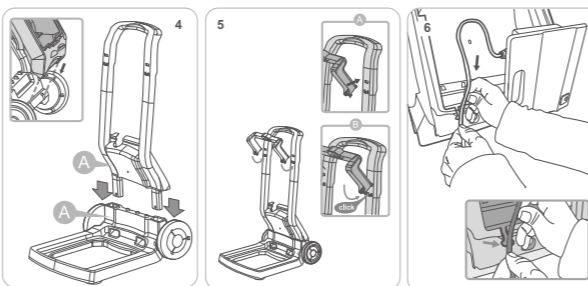
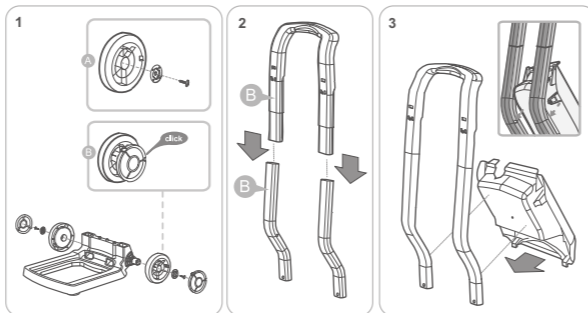
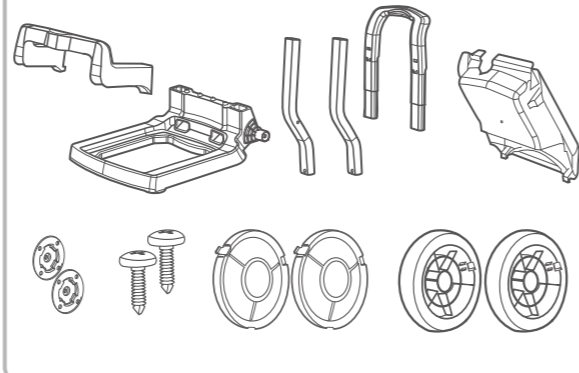
### 12.1. OVERZICHT

De trolley is een optioneel accessoire dat het gemakkelijk maakt om de robotreiniger te verplaatsen en biedt een plaats om de voedings- en regeleenheid te monteren.

### 12.2 DE TROLLEY MONTEREN:

1. Bevestig de wielen aan beiden kanten van de voet van de trolley en zet elk wiel vast met de schroef en plaats het deksel.
2. de twee delen van de handgreep.
3. Bevestig de voedings- en regeleenheid op de behuizing door de bovenste lipjes in de gaten in de handgreep te klikken.
4. Plaats de handgreep in de voet van de trolley. Klik de onderste lipjes van de behuizing van de voedings- en regeleenheid in de voet van de trolley.
5. Bevestig de houder van de afstandsbediening door het bovenste deel in de handgreep van de trolley te plaatsen en de houder omlaag te draaien tot het onderste deel vastklikt.
6. Sluit de kabel van de voeding aan
7. Plaats de kabel van de voedings- en regeleenheid in de groef in de voet van de trolley.
8. Plaats het bovenste deel van de voedings- en regeleenheid in de behuizing en druk het onderste deel omlaag tot het in de voet van de trolley klikt.

### Parts



## NOTA'S

---

---

---

---

---

---

---

---

---

---

# ROBOT POOL RENERE TYPE CYKLON

# ROBOT POOL RENERE TYPE CYKLON

## INDHOLD

<b>1. HURTIGSTARTVEJLEDNING</b>	<b>71</b>
<b>2. INSTALLATION AF FLYDER</b>	<b>71</b>
<b>3. SIKKERHED</b>	<b>72</b>
<b>4. INDLEDNING</b>	<b>72</b>
4.1 Systemoversigt	72
4.2 Sådan renser robotrenseren din pool	72
4.3 Driftsbetingelser	73
<b>5. KOMPONENTER</b>	<b>73</b>
5.1 Renere og de vigtigste dele	73
5.2 Strøm- og kontrolenhed	73
<b>6. BETJENING</b>	<b>73</b>
6.1 Før første brug	73
6.2 At placere renserenheden i vandet	74
6.3 Start af robotrenseren	75
6.4 Rensningscykel	75
6.5 Standsning af robotrenserens drift	75
6.6 Optagning af renserenheden af vandet	75
<b>7. VEDLIGEHOLDELSE</b>	<b>76</b>
7.1 Rengøring af filtrene	76
7.2 Opbevaring af robotrengøringsmaskinen	76
7.3 Kontrol af vandafgangspropellen	76
<b>8. PROGRAMMERING AF ROBOTRENSER</b>	<b>77</b>
8.1 Betjeningspanel - knapper og indikatorer	77
8.2 Overlay-knapper	79
8.3 Brug af en ekstern timer	80
<b>9. FEJLFINDING</b>	<b>80</b>
<b>10. FJERNBETJENING</b>	<b>82</b>
10.1 Oversigt over fjernbetjeningen	82
10.2 Brug af fjernbetjeningen	82
<b>11. CADDY (EKSTRAUDSTYR)</b>	<b>82</b>
11.1 Overblik	82
11.2 Montering af caddyen	82
11.3 Påfyldning af robotrengøringsmaskinen PÅ VOGNEN	82
<b>12. TROLLY (VALGFRIT)</b>	<b>83</b>
12.1 overblik	83
12.2 samling af vognen	83



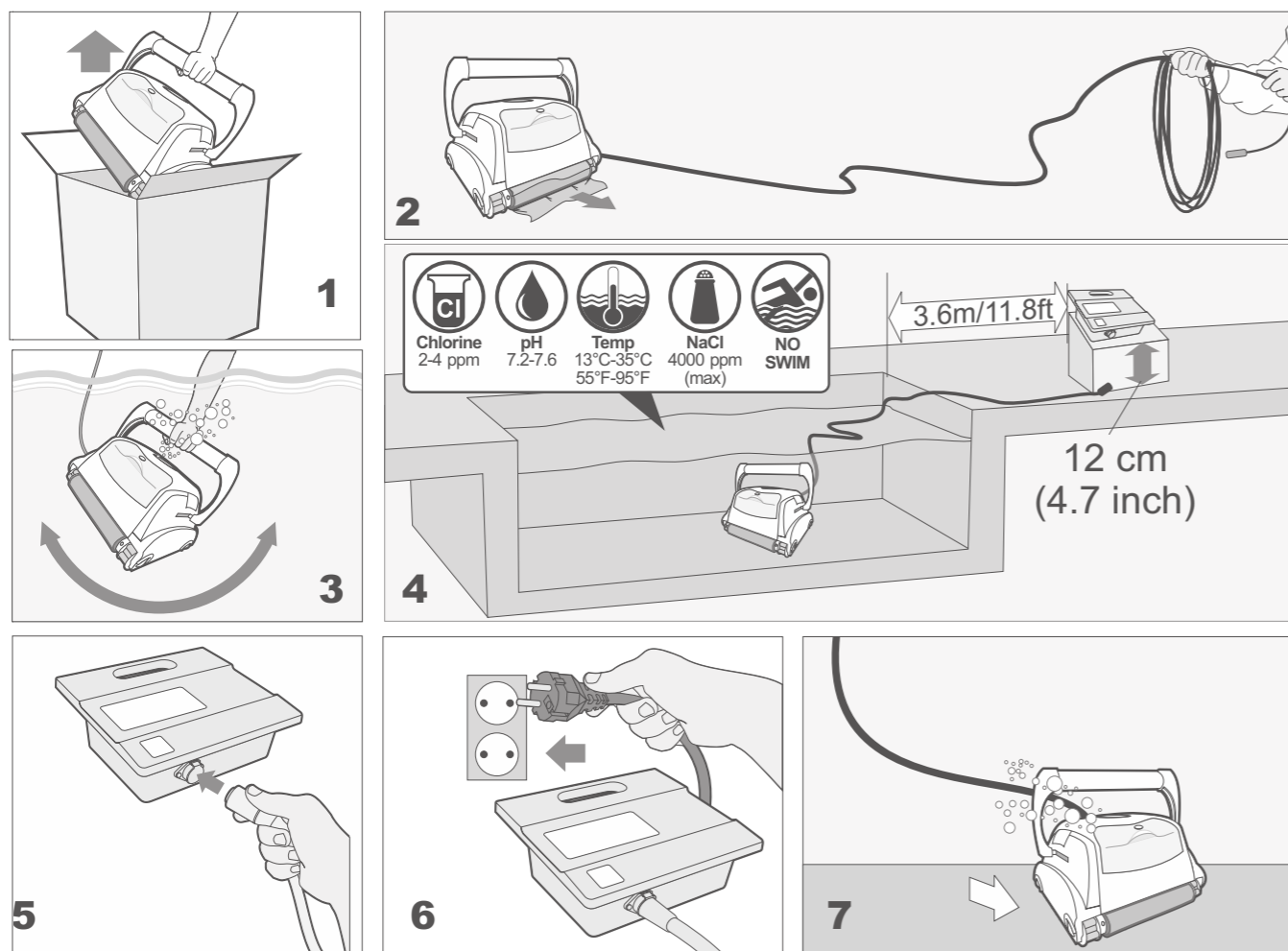
Der tages forbehold for fejl og tekniske ændringer, og reproduktion og elektronisk kopiering er kun tilladt med vores skriftlige tilladelse.

© NORSUP

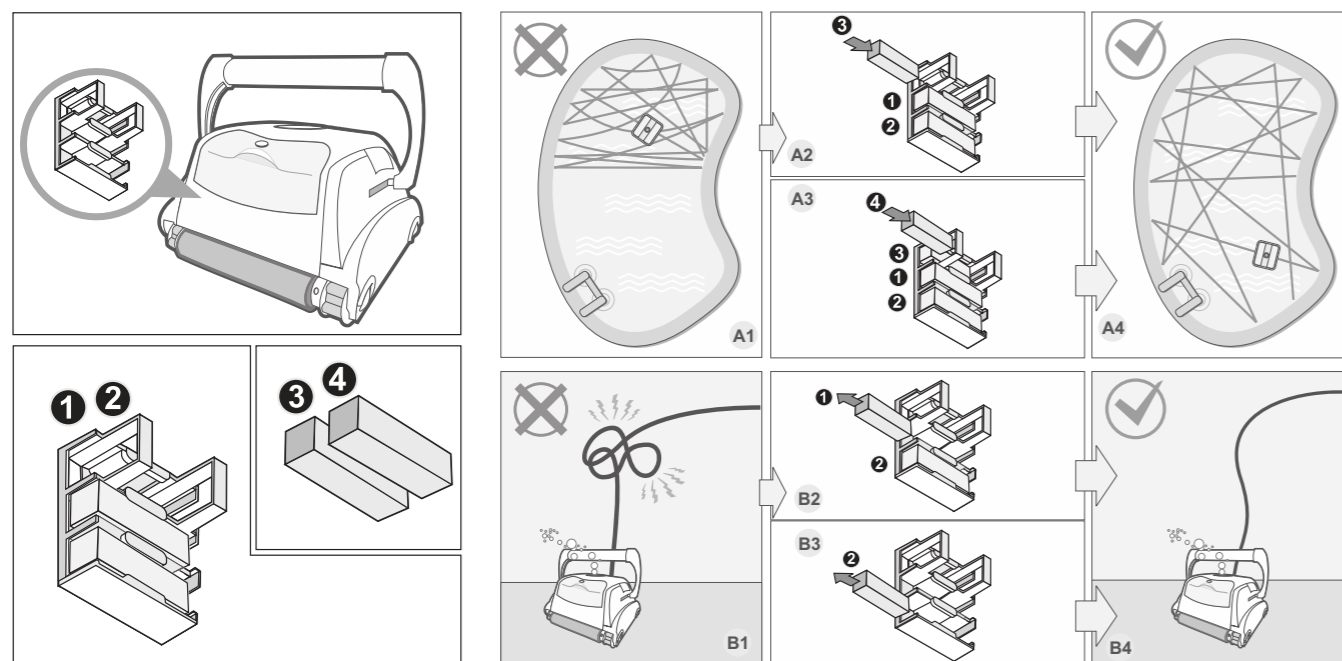
Udgave: 11.2020

# ROBOT POOL RENERE TYPE CYKLON

## 1. HURTIGSTARTVEJLEDNING



## 2. INSTALLATION AF FLYDER



# ROBOT POOL RENERE TYPE CYKLON

## 3. SIKKERHED

### VIGTIGE SIKKERHEDSANVISNINGER LÆS OG FØLG ALLE ANVISNINGER

FORSIGTIG: Sæt ikke strømforsyningen i en jordet stikkontakt, og tænd ikke poolrensere „ON“, hvis den ikke er helt nedsænket i vand. Betjening af renseren uden for vand vil straks forårsage alvorlig skade og medføre tab af garantien.

Lad rengøringsmaskinen forblive i poolen i 15 til 20 minutter efter afslutningen af rengøringscyklussen. Dette vil give motorene mulighed for at køle tilstrækkeligt. Lad ikke rengøringsmaskinen stå i poolen hele tiden. Husk altid at slukke for strømforsyningen og trække stikket ud af stikkontakten, før du fjerner rengøringsmaskinen fra poolen.

### ADVARSEL

Rengøringsmidlet må ikke anvendes, når der er personer i vandet. Kun til brug i swimmingpools

### Sikkerhedsanvisning

- Enheden skal forsynes via en fejlstrømsanordning (RCD) med en nominal fejlstrømsstyrke på højst 30 mA
- Anslutningen til afgreningen skal være i overensstemmelse med de lokale og nationale ledningsregler (elektrisk kode).
- Forkert håndtering af enheden kan medføre lækage af smøremidler..
- Hvis forsyningskablet er beskadiget, skal det udskiftes af producentens serviceagent eller en kvalificeret og uddannet person for at undgå farer.

### ADVARSEL

Dette apparat er ikke beregnet til brug af personer (herunder børn) med nedsatte fysiske, sensoriske eller mentale evner eller manglende erfaring og viden, medmindre de er blevet overvåget eller instrueret i brugen af apparatet af en person, der er ansvarlig for deres sikkerhed. Børn skal overvåges for at sikre, at de ikke leger med apparatet.

### ADVARSEL

A Ground Fault Current Interrupter (GFCI-USA) or a Residual Current Device (RCD-EUROPE) must be installed to protect your electric outlet and prevent

GEM DENNE VEJLEDNING

### Jordforbindelse

Strømforsyningen skal være tilsluttet en jordet 3-leders stikkontakt. Strømforsyningen skal være tilsluttet via en GFCI (jordfejlsafbryder) eller RCD (reststrømsanordning) med en nominal reststrøm, der ikke er større end 30 mA.

### Sikring

Sikringen må kun udskiftes af en autoriseret serviceagent eller en uddannet og kvalificeret person. For at sikre fortsat beskyttelse mod brandfare må den kun udskiftes med samme type sikring af samme type og klasse.

### Vedligeholdelse og sikkerhed

Afdækningen må kun fjernes af en autoriseret servicemontør eller en uddannet og kvalificeret person. Ingen intern justering eller udskiftning af komponenter må foretages af brugeren. Strømkablet skal være afbrudt, før dækslet fjernes. Hvis strømforsyningskablet er beskadiget, skal det udskiftes af en autoriseret serviceagent eller en uddannet og kvalificeret person. Brug ikke strømforsyningen, hvis ledningen er beskadiget.

### Miljømæssige forhold

Strømforsyningen er designet til at fungere både indendørs og udendørs. Enheden bør dog ikke anvendes i direkte sollys eller udsættes for vand. Strømforsyningen bør ikke anvendes ved en omgivelsestemperatur på over 40 °C.

## 4. INDLEDNING

### 4.1 SYSTEMOVERSIGT

Robotrenseren fejer poolens gulv og vægge for at opsamle snavs og affald til de interne filtre. Denne brugermanual forklarer, hvordan robotrenseren betjenes, herunder procedurer for rengøring, vedligeholdelse og opbevaring.

### BEMÆRK

Denne manual gennemgår flere robotrensermodeller. Der er nogle variationer i komponenterne afhængigt af den specifikke model.

### 4.2 Sådan renser robotrenseren din pool

Når robotrenseren er placeret i poolen og aktiveret, arbejder den i henhold til det program, der er indstillet via strøm- og kontrolenheden. Robotrengøringsmaskinen bevæger sig langs poolens bund og vægge og dækker hele poolens bund og vægge. Når robotrengøringsmaskinen har afsluttet sit program, forbliver den inaktiv på poolens bund.

### BEMÆRK

Vægklatring er et valgfrit element. Når vægklatring er aktiveret, klatrer robotrengøringsmaskinen op ad væggen med intervaller i henhold til sit interne program. Robotrenserens evne til at klatre over trapper i svømmebassiner afhænger af trappens geometri og materiale.

# ROBOT POOL RENERE TYPE CYKLON

## 4.3 Driftsbetingelser

Robotrengøringsmaskinen er beregnet til brug i svømme svømmebassiner under følgende forhold:

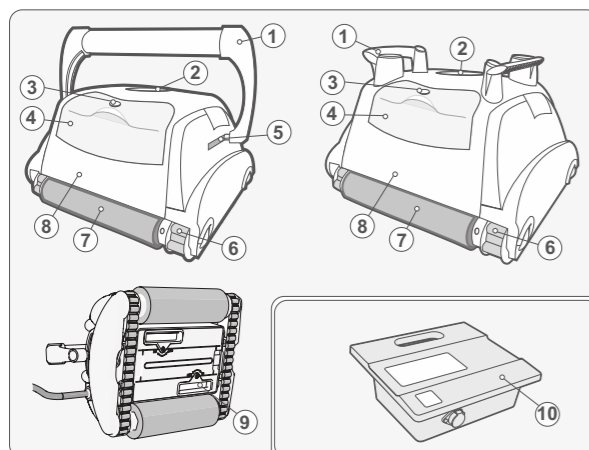
- Temperaturer fra 13°C-35°C (55°F-95°F), den anbefalede temperatur er mellem 22°C-32°C (72°F-90°F).
- Vand pH: 7.2 - 7.6
- Klorindhold: poolen vedligeholdes i henhold til poolproducentens anvisninger. (anbefalet 2-4 ppm)

## BEMÆRK

Hvis poolen ikke vedligeholdes i overensstemmelse med de anbefalede driftsbetingelser, kan det forhindre robotrenseren i at fungere korrekt. Tag robotrenseren ud af vandet, når du udfører „Kemisk chokbehandling“ af poolvandet.

## 5. KOMPONENTER

### 5.1. RENERE OG DE VIGTIGSTE DELE



1. Håndtag
2. Udløb øverst
3. Frigørelse af filterlås
4. Adgang til filtertop
5. Håndtagslåseme-kanisme
6. Drivskinne
7. Skrubbe børste
8. Enhedens krop
9. Vandindtag
10. Strømforsyning

#### Valgfri

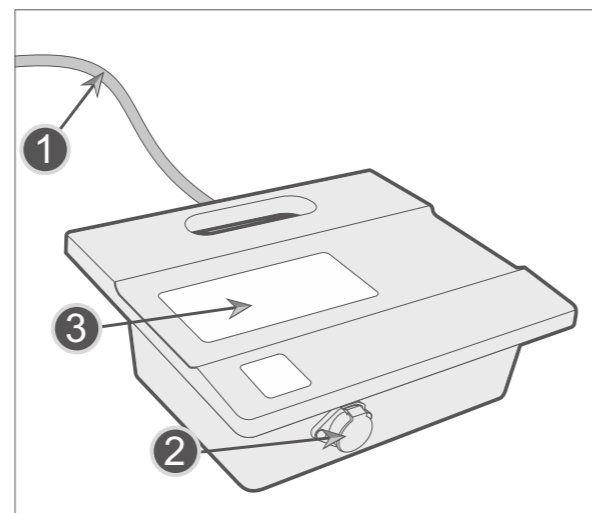
11. Fjernbetjening
12. „Trolley“-vogn
13. „Caddy“-vogn
14. Timer (købes separat)

### 5.2. STRØM- OG KONTROLENHED

Strøm- og kontrolenheden er forbundet til robotrengøringsmaskinen via det flydende kabel. Enheden drives af vekselstrøm (1) og leverer lavspænding og kommandoer til rengøringsenheden via stikkontakten (2). Enheden har et kontrolpanel (3) med forskellige betjeningslementer til betjening af robotrenseren.

## Indhold i emballagen

Robotrengøringsmaskinen er pakket i en kasse, der indeholder:



- Robottisk rengøringsmaskine og flydekabel
- Strøm- og kontrolenhed
- Brugermanual

Afhængigt af den købte model kan følgende tilbehør være inkluderet i pakken:

- Fjernbetjening
- Vogn
- Trolley
- Tilbehør i øvrigt

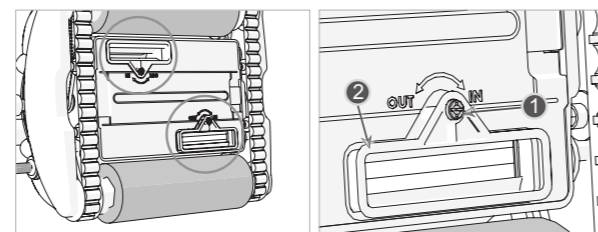
## 6. BETJENING

### 6.1. FØR FØRSTE BRUG

Justering af sugehøjde: Ved at placere sugeindtaget (2) tæt på poolens overflade øges sugekraften og rengøringskvaliteten. Hvis sugeindtaget sænkes, kan det resultere i interferens med forhindringer på svømmebassinet bund eller vægge.

Brug en skruetrækker til at justere knappen for sugeindløbs position (1).

- IN - trækker sugeindtaget væk fra poolens overflade og reducerer sugeeffekten.
- OUT - bringer sugeindløbet tættere på poolens overflade og øger sugeeffekten.

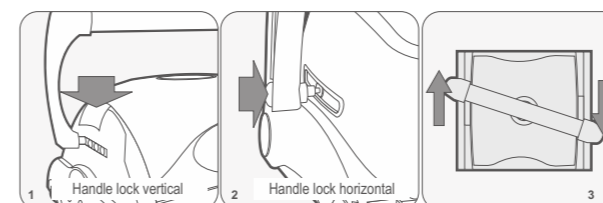


# ROBOT POOL RENERE TYPE CYKLON

## Justering af det flydende håndtag

På modeller til vægklatring skal du indstille det flydende håndtag:

1. Tryk på låseknap (1 eller 2 afhængigt af modellen) for at frigøre håndtagslåsen.
2. Placer håndtaget (3) diagonalt i maksimal position.
3. Gentag trin 1 og 2 på den anden side af rengøringsenheden.

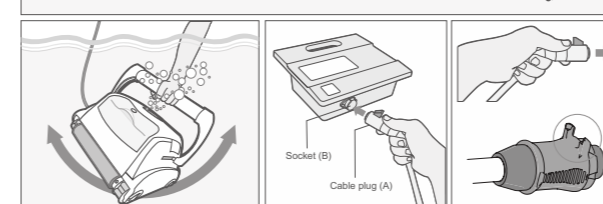
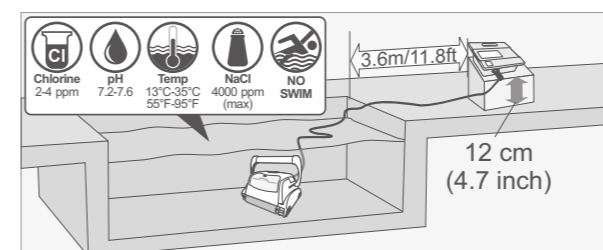


## Fjernelse af børsteovertræk

Robotrengøringsmaskinen leveres med et beskyttelsesdæksel over skrubberbørsterne. Fjern forsigtigt nylonbetrækkene fra skrubberbørsterne.

## FORSIGTIG

Brug ikke et skarpt værktøj til at fjerne dækslet, da det kan skade børsterne.



## Placering af strøm- og kontrolenheden

4. Placer strøm- og kontrolenheden mindst 3,6 meter /11,8 fod fra poolen og mindst 12 cm/4 tommer over overfladen.

## FORSIGTIG

Strøm- og kontrolenheden må ikke udsættes for vand eller direkte sollys.

5. Løsn de flydende kabelplastbånd, som bruges til at fastgøre kablerne under forsendelsen, ved at trykke på plastknappen på båndet.

## Før rengøringsenheden placeres i vandet

1. Sørg for, at der ikke er nogen personer i poolen.
2. Sørg for, at filterne er rene.
3. Sørg for, at betingelserne for poolen er opfyldt; (se „Betjeningsbetingelser“).

## 6.2. AT PLACERE RENSERENHEDEN I VANDET

1. Rul flydekablet ud. Det anbefales at forlænge en længde af kablet, der svarer til bassinets diagonalstørrelse plus yderligere to meter.
2. Placer rengøringsenheden i poolen.
3. Lad robotrenseren synke ned til bunden af poolen. Start ikke driften, før robotrenseren har sat sig på poolens bund.
4. Læg flydekablet ud på tværs af bassinet. Sørg for, at kun den nødvendige længde af kablet spredes ud over bassinet. Udglat spoler eller snoede dele i kablet. Rul ekstra kabel uden for poolen i nærheden af strøm- og kontrolenheden.
5. Tilslut flydekablet (A) til stikket (B), der er placeret på strøm- og kontrolenheden.

## FORSIGTIG

Betjening af rengøringsmaskinen uden for vand medfører øjeblikkelig alvorlig skade og resulterer i tab af garantien.

# ROBOT POOL RENERE TYPE CYKLON

## 6.3. START AF ROBOTRENEREN

Tilslut strøm- og kontrolenheden til stikkontakten i væggen (1). Drifts-LED'en lyser (4), og robotrengøringsmaskinen starter sit rengøringsprogram.

Hvis strøm- og kontrolenheden allerede er tilsluttet stikkontakten, blinker Drifts-LED'en (5) for at angive, at robotrengøringsmaskinen er i standbytilstand.

Tryk på driftsknappen (6). Drifts-LED'en tændes (6), og robotrengøringsmaskinen starter rengøringsprogrammet.

### BEMÆRK

Når LED'en Check Filter (3) (valgfri på nogle modeller) lyser, skal robotrengøringsmaskinens filtre rengøres, før rengøringsenheden sættes i poolen.

## 6.4. RENSNINGSCYKEL

Under rengøringscyklussen rengør robotrengøringsmaskinen:

- Fører sig hen over poolens gulv og samler skidt og snavs op.
- Ændrer retning og roterer automatisk i henhold til det valgte program.
- Klipper poolens vægge med få minutters mellemrum, som indstillet i det interne program

### BEMÆRK

Robotrengøringsmaskinen kan af og til standse i nogle få sekunder. Dette er en del af normal drift og ikke en funktionsfejl.

## 6.5. STANDSNING AF ROBOTRENERENS DRIFT

Robotrengøringsmaskinen går automatisk til STANDBY efter hver rengøringscyklus, og drifts-LED'en begynder at blinke (5).

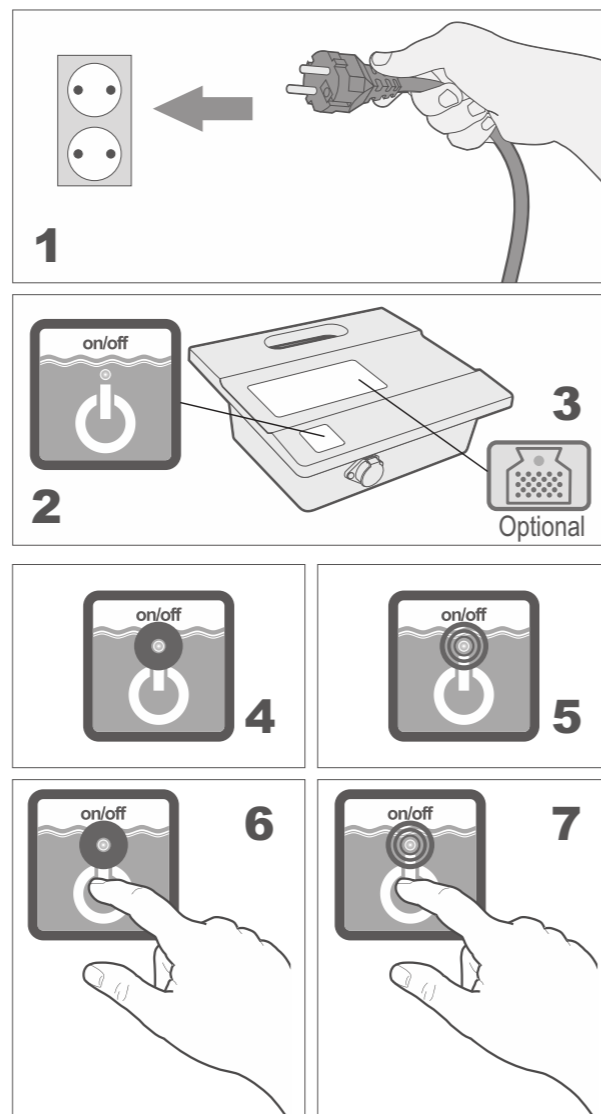
For at stoppe rengøringsmaskinens drift under en rengøringscyklus skal du trykke på betjeningsknappen (7) én gang. Drifts-LED'en begynder at blinke (7), og rengøringsmaskinen er i standby-tilstand.

## 6.6. OPTAGNING AF RENSERENHEDEN AF VANDET

1. Tag flydekablet ud af strøm- og kontrolenheden.
2. Træk op i flydekablet for at trække renseanlægget tættere på, indtil det er muligt at tage fat i håndtaget.
3. Løft rengøringsenheden ud af poolen ved hjælp af håndtaget.

### FORSIGTIG

Brug ikke flydekablet til at løfte renseanlægget op af vandet.



# ROBOT POOL RENERE TYPE CYKLON

## 7. VEDLIGEHOLDELSE

### 7.1. RENGØRING AF FILTERNE

De to filtre skal rengøres efter hver rengøringscyklus.

1. Løsn filteret og træk det ud af rengøringsenheden. (1), (2)
2. Træk filterdøren mod filterhuset for at åbne filterkassen. (3), (4)
3. Sprøjt vand på de ydre sider af filteret og sprøjt derefter vand mod filterets inderside for at rense alt snavs og affald. (5)
4. Kontroller, at den lille plastiklukker (2) er på plads og ikke er knækket, og luk filteret. (6)
5. Sæt filteret tilbage på sin plads, indtil der høres et klik for at sikre filteret på plads (7), (8).

### 7.2. OPBEVARING AF ROBOTRENGØRINGSMASKINEN

Følg disse instruktioner for at opbevare robotrengøringsmaskinen, når den ikke er i brug:

1. Træk netledningen ud af stikkontakten.
2. Afbryd det flydende kabel fra strøm- og kontrolenheden.
3. Spred det flydende kabel ud, og løsn eventuelle vridninger i kablet.
4. Vask rengøringsenhedens indvendige rum med frisk vand og lad den tørre.
5. Rul det flydende kabel sammen, og læg det på RENSER-enheden.



### FORSIGTIG

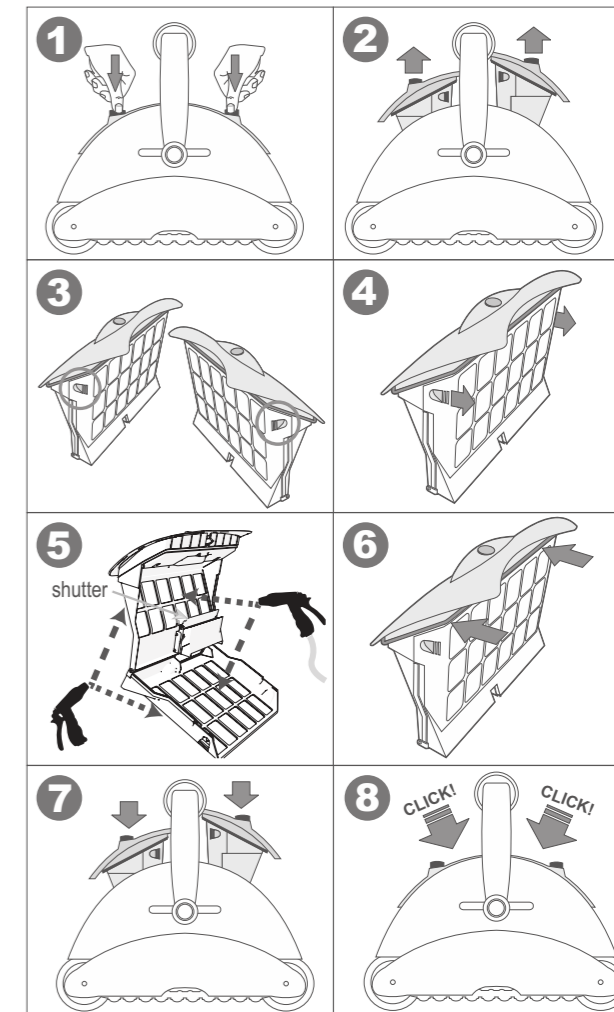
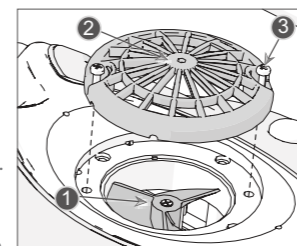
Rul IKKE det flydende kabel på håndtaget på rengøringsenheden.

6. Opbevar robotrengøringskomponenterne på et tørt, lukket sted.
7. Kontroller, at strøm- og kontrolenheden ikke er udsat for vand.

### 7.3. KONTROL AF VANDAFGANGSPROPELLEN

Det anbefales at rengøre affald og hår fra propellen på vandudløbet med jævne mellemrum:

1. Fjern skruerne (3), der holder vandudløbsdækslet (2).
2. Fjern vandudløbsdækslet (2).
3. Rengør eventuelle hår, snavs eller snavs.
4. Kontroller, at propellen (1) ikke er knækket.
5. Sæt dækslet (2) tilbage, og fastgør det med skruerne (3).



# ROBOT POOL RENERE TYPE CYKLON

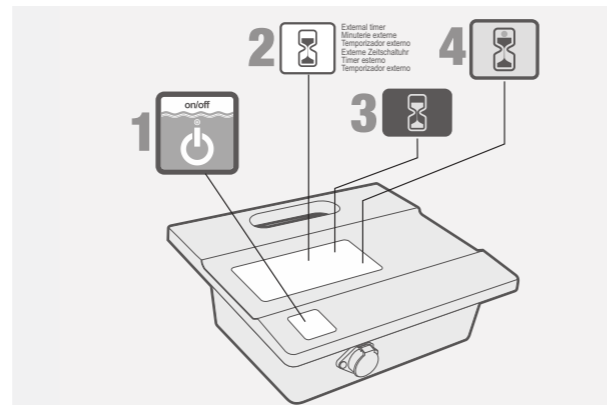
## 8. PROGRAMMERING AF ROBOTRENSER

I dette kapitel gennemgås programmeringsmulighederne. Spring dette kapitel, hvis din model ikke er programmerbar, eller hvis robotrengøringsmaskinen allerede er programmeret.

### 8.1. BETJENINGSPANEL - KNAPPER OG INDIKATORER

Kontrolpanelet består af:

- Tænd/sluk strøm (1) - starter og stopper robotrengørings drift.
- Funktionsbeskrivelse (2) - beskriver funktionen
- Kontrolknapper (3) - mørkeblå, muliggør valg af relevant funktion.
- Statusdisplay (4) - indikations-LED tændt for at vise den valgte indstilling eller rengøringsmaskinens tilstand.



# Aquacontrol

check filter  
chèque filtre  
filter überprüfen  
controllare il sacchetto filtrante  
revise el filtro

cleaning time  
temps de nettoyage  
reinigungszeit  
tempo di pulizia  
tiempo de limpieza

2.0H

1.5H

## SPS 100

### Aquacontrol

- Cleaning program  
Mode nettoyage  
Programa de limpieza  
Reinigungsprogramm  
Programma di pulizia  
Programa de limpeza
- Internal timer  
Minuterie interne  
Temporizador interno  
Interne Zeitschaltuhr  
Timer interno  
Temporizador interno
- Check filter  
Vérifiez le filtre  
Revise el filtro  
Filter überprüfen  
Controllare il sacchetto filtrante  
Verifique o Filtro
- External timer  
Minuterie externe  
Temporizador externo  
Externe Zeitschaltuhr  
Timer esterno  
Temporizador externo

PROGRAM 03	96h	
PROGRAM 02	72h	
PROGRAM 01	48h	

## SPS 200

# ROBOT POOL RENERE TYPE CYKLON

### Aquacontrol

- Swivel  
Pivot  
Swivel  
Drehlager  
Manopola di disattorcigliamento  
Swivel
- Cleaning program  
Mode nettoyage  
Programa de limpieza  
Reinigungsprogramm  
Programma di pulizia  
Programa de limpeza
- Internal timer  
Minuterie interne  
Temporizador interno  
Interne Zeitschaltuhr  
Timer interno  
Temporizador interno

Check filter  
Vérifiez le filtre  
Revise el filtro  
Filter überprüfen  
Controllare il sacchetto filtrante  
Verifique o Filtro

External timer  
Minuterie externe  
Temporizador externo  
Externe Zeitschaltuhr  
Timer esterno  
Temporizador externo

HIGH

NORMAL

PROGRAM 03	96h	
PROGRAM 02	72h	
PROGRAM 01	48h	

## SPS 300

### Aquacontrol

- Auto detect  
Auto detection  
Auto detección  
Automatische erkennung  
Auto diagnosi  
Detección automática
- Swivel  
Pivot  
Swivel  
Drehlager  
Manopola di disattorcigliamento  
Swivel
- Internal timer  
Minuterie interne  
Temporizador interno  
Interne Zeitschaltuhr  
Timer interno  
Temporizador interno
- External timer  
Minuterie externe  
Temporizador externo  
Externe Zeitschaltuhr  
Timer esterno  
Temporizador externo

Pool shape  
Forme de piscine  
Forme de la piscine  
Beckenform  
Forma piscina  
Forma da piscina

Cleaning program  
Mode nettoyage  
Programa de limpieza  
Reinigungsprogramm  
Programma di pulizia  
Programa de limpeza

Check filter  
Vérifiez le filtre  
Revise el filtro  
Filter überprüfen  
Controllare il sacchetto filtrante  
Verifique o Filtro

HIGH

NORMAL

PROGRAM 03	96h	
PROGRAM 02	72h	
PROGRAM 01	48h	

## SPS 400

### Aquacontrol

- Auto detect  
Auto detection  
Auto detección  
Automatische erkennung  
Auto diagnosi  
Detección automática
- Swivel  
Pivot  
Swivel  
Drehlager  
Manopola di disattorcigliamento  
Swivel
- Cleaning Level  
Niveau de Nettoyage  
Nível de Limpeza  
Reinigungsstufe  
Livello di Pulizia  
Nível de limpeza
- Delay  
Retard  
Retrasar  
Verzögerung  
Ritardo  
Atrasar

Pool shape  
Forme de piscine  
Forme de la piscine  
Beckenform  
Forma piscina  
Forma da piscina

Cleaning program  
Mode nettoyage  
Programa de limpieza  
Reinigungsprogramm  
Programma di pulizia  
Programa de limpeza

Check filter  
Vérifiez le filtre  
Revise el filtro  
Filter überprüfen  
Controllare il sacchetto filtrante  
Verifique o Filtro

HIGH

NORMAL
















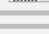

PROGRAM 03		
PROGRAM 02		
PROGRAM 01		

## SPS 500

# ROBOT POOL RENERE TYPE CYKLON

## 8.2. OVERLAY-KNAPPER

### MODEL

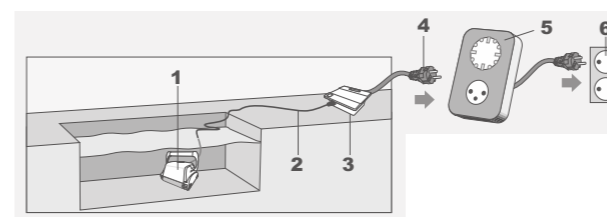
100/200 300/400 500		<b>Kontroller filter</b> - Lyset betyder, at filterposen skal fjernes, rengøres og installeres korrekt i robotten igen for at fungere effektivt. I modellerne 300, 400 og 500 stopper robotrengøringsmaskinen med at klatre op ad væggene, når kontrolyset for filteret er tændt
100		<b>Rengøringsstid</b> - den tid, der er brugt på rengøring af poolen. Tryk på knappen for at vælge den ønskede tid. Et rødt lys vil indikere dit valg. Denne funktion kan kun vælges, når strømforsyningen er i standbytilstand
200 300/400		<b>Intern timer - Mulighed for automatisk drift:</b> Hver 48. time Hver 72. time Hver 96. time
200/300		<b>Valg af rengøringsprogram:</b> Program 01 - 1 timers gulv- og vægrengøring Program 02 - 1,5 times gulv- og vægrengøring. Program 03 - 2 timers gulv- og vægrengøring.
400		<b>Valg af rengøringsprogram:</b> Program 01 - 1,5 timers rengøring af gulve og vægge: Program 01 - 1,5 timers rengøring af gulve Program 02 - 2 timers gulv- og vægrengøring. Program 03 - 2,5 timers gulv- og vægrengøring.
500		<b>Valg af rengøringsprogram.</b> Program 01 - 2 timers rengøringsprogram kun for gulve Program 02 - 4 timers gulv- og vægrengøring, (på visse modeller er vægrengøringen ikke tilgængelig) Program 03 - 5 timers gulv- og vægrengøring, (på visse modeller er vægrengøringen ikke tilgængelig)
200 300/400		<b>Ekstern timer</b> Denne funktion giver slutbrugeren mulighed for at programmere rengøringsplanen via en ekstern timer (sælges separat). Ved at trykke på denne knap aktiveres og deaktiveres denne funktion.
300/400 500		<b>Swivel</b> - juster robotternes omdrejningshastighed i poolen. Normal - Standarddrift Høj - Differentieret omdrejningshastighed
400/500		<b>Autodetektion:</b> Denne funktion forhindrer robotten i at sidde fast på forhindringer i poolen som f.eks. hoved afløb, trin, stiger osv. Tryk på denne knap for at vælge en af følgende muligheder:  <b>Automatisk detektering - OFF.</b> Vælg denne indstilling Hvis din pool har forhindringer på gulvet, f.eks. et højt afløb. Dette forhindrer enheden i at ændre retning, når den rammer forhindringen.  <b>Auto-Detect -ON.</b> Vælg denne indstilling Hvis poolens gulv er fri for forhindringer.
400/500		<b>Poolens form:</b> Gør det muligt for robotten at beregne det mest effektive rengøringsmønster for den valgte poolform. Tryk på knappen for at vælge den tegning, der passer bedst til poolens form. Et rødt lys angiver dit valg.
500		<b>Rengøringsniveau - Ændrer rengøringsydelsen</b>  Hurtig: Vælg Hvis din pool har en lille mængde snavs  Regelmæssig: Vælg for daglig vedligeholdelse  Grundig: Vælg Hvis din pool har en stor mængde snavs
500		<b>Forsinkelse</b> Når denne indstilling er aktiveret, begynder robotten at arbejde efter 2 timers forsinkelse. Denne funktion bruges til at lade snavs og støv synke ned på gulvet, før robotten starter rengøringen.

# ROBOT POOL RENERE TYPE CYKLON

## 8.3. BRUG AF EN EKSTERN TIMER

(Valgfrit, skal købes separat)

En ekstern timer kan bruges til automatisk at aktivere rengøringsmaskinen på et forudindstillet tidspunkt. Den eksterne timer skal tilsluttes mellem vægstikkontakten og strøm- og kontrolenheden



1. Enhed
2. Kabel
3. Strømforsyning
4. Stik til strømforsyning
5. Ekstern timer (købes separat)
6. Stikkontakt

## 9. FEJLFINDING

### RENGØRINGSMASKINEN TÆNDER IKKE.

#### Der er ingen elektricitet i stikkontakten.

1. Frakobl rengøringsmaskinen fra strøm- og kontrolenheden.
2. Tag strømforsyningen ud af stikkontakten, vent 30 sekunder, og tilslut den igen.
3. Tænd for strømmen. Hvis den ikke er aktiveret, skal du tilslutte enheden til en anden stikkontakt på væggen.

#### Flydende kabel er ikke tilsluttet korrekt til strøm- og kontrolenheden.

Tilslut det flydende kabel igen til strøm- og kontrolenheden.

#### Hindring i rengøringsenhedens drivsystem.

1. Vend rengøringsenheden forsigtigt for at se undersiden.
2. Drej sporene og skrubberbørsterne i hånden. Den skal rotere, men den skal ikke rotere frit.
3. Rengør og fjern forhindringer og snavs, hvis det er nødvendigt.

#### Propellen er fastlåst på grund af ophobning af hår.

Kontroller, om propellen er knækket eller skal rengøres (se „Kontrol af vandudløbspropellen“).

#### RENSEREN BEVÆGER SIG, MEN PUMPER IKKE VAND.

#### Filtre er snavsede.

1. Fjern filtrene
2. Kør robotrengøringsmaskinen i poolen uden filtrene. Hvis det fungerer korrekt, skal du rense filtrene godt eller udskifte filtrene.

#### Propellen er knækket eller fastlåst på grund af ophobning af hår.

Kontroller, om propellen er i stykker eller skal rengøres (se „Kontrol af vandudløbspropellen“).

#### RENSEREN PUMPER VAND, MEN BEVÆGER SIG IKKE.

#### Forhindring i renseanlæggets drivsystem.

1. Drej forsigtigt på rengøringsenheden for at se undersiden.
2. Drej sporene og skrubberbørsterne med hånden. Den skal rotere, men den skal ikke rotere frit.
3. Rengør og fjern forhindringer og snavs, hvis det er nødvendigt.

#### RENGØRINGSMASKINEN STARTER OG SLUKKER EFTER KORT TID.

#### Filtrene er snavsede.

1. Fjern filtrene.
2. Kør robotrengøringsmaskinen uden filtrene. Hvis den fungerer korrekt, skal du rense filtrene godt eller udskifte filtrene.

#### Propellen er knækket eller fastlåst på grund af ophobning af hår.

1. Fjern de øverste skruer på det øverste udtag.
2. Kontroller, om propellen er knækket eller skal rengøres.

#### Hindring i renseanlæggets drivsystem.

1. Drej rengøringsenheden forsigtigt for at se undersiden.
2. Drej sporene og skrubberbørsterne i hånden. Den skal rotere, men den skal ikke rotere frit.
3. Rengør og fjern forhindringer og snavs, hvis det er nødvendigt.

#### RENGØRINGSMASKINEN IKKE OPSAMLER SNAVS.

#### Filtre er snavsede eller har huller.

Rengør efter behov, og kontrollér, at der ikke er huller i filtrene.

#### Propellen er knækket eller fastlåst på grund af ophobning af hår.

Kontroller, om propellen er knækket eller skal rengøres (se „Kontrol af vandudløbspropellen“).

#### Sugeindløbet er ikke tæt nok på poolens bund.

Flyt sugeindløbet UD (se „Justering af sugehøjde“).

#### DER KOMMER SNAVS UD AF RENSEREN, NÅR DU FJERNER DEN FRA POOLEN.

#### Filterlukkeren er i stykker eller mangler.

Åbn filtrene, og kontrollér, at filterlukkeren ikke er brudt og fungerer korrekt (se „Rengøring af filtre“).

#### Der er huller i filtrene.

Åbn filtrene, og kontrollér, at der ikke er huller i filterskærmene (se „Rengøring af filtre“).



# ROBOT POOL RENERE TYPE CYKLON

## Det nederste låg er ikke lukket korrekt.

Kontroller, at det nederste låg er korrekt lukket.

## RENSERANLÆGGET DÆKKER IKKE HELE POOLEN.

### Filtrene er snavsede.

Rengør filtrene.

## Der er ikke nok længde af flydekablet i vandet til at nå den fjerneste ende af poolen, eller kablet er viklet ind i hinanden.

1. Kontroller, at der er tilstrækkelig længde af flydekablet i vandet til at nå den fjerneste ende af poolen.
2. Kontroller, at flydekablet er korrekt spredt ud og ikke er viklet sammen.

## Vinkelen på flydehåndtaget påvirker

rengøringsmaskinens bevægelse.

Forøg den diagonale vinkel på det flydende håndtag (se „Justering af det flydende håndtag“).

## Poolens pH-niveau er forkert.

Sørg for, at pH-værdien er mellem 7,2 og 7,6.

## Klorinniveauet er forkert.

Kontroller vandets klorbehandling, og korriger om nødvendigt (Fjern rensen fra poolen under behandlingen).

## Propellen er knækket eller fastlåst på grund af ophobning af hår.

1. Fjern de øverste skruer på det øverste udløb.
2. Kontroller, om propellen er ødelagt eller skal rengøres.

## Hindring i renselanlæggets drivsystem.

1. Drej rengøringsenheden forsigtigt for at se undersiden.
2. Drej sporene og skrubberbørsterne i hånden. Den skal rotere, men den skal ikke rotere frit.
3. Rengør og fjern forhindringer og snavs, hvis det er nødvendigt.

## RENGØRINGSMASKINEN IKKE KRAVLER OP AD VÆGGE.

## Rengøringsmaskinen klatrer ikke op ad poolens vægge.

1. Sikkert at din robotrenser ikke er en model, der kun er beregnet til gulve.
2. Kontroller, at P1, kun gulvrensning, ikke er valgt på strøm- og kontrolenheden (se „Programmering af robotrenser“).

### Filtrene er snavsede.

Rengør filtrene.

## Propellen er knækket eller fastlåst på grund af ophobning af hår.

Kontroller, om propellen er knækket eller skal rengøres (se „Kontrol af vandudløbspropellen“).

## pH-niveauet er forkert.

Sørg for, at pH-værdien er mellem 7,2 og 7,6.

## Klorinniveauet er forkert.

Kontroller vandets klorbehandling (fjern rensen fra poolen under behandlingen).

## Vandtemperaturen er ikke optimal.

Den anbefalede temperatur er mellem 22°C-32°C (72°F-90°F).

## KABLET ER VIKLET SAMMEN.

### Filtrene er snavsede.

Rengør filtrene.

## Bunddækslet er ikke lukket korrekt.

Sørg for, at bundlåget er lukket korrekt.

## Kablet er ikke spredt ud, før rengøringsenheden sættes i poolen.

Sørg for, at flydekablet er korrekt spredt ud og ikke er viklet sammen, før robotrenseren tages i brug.

## Kabellængden i vandet er for lang.

Kontroller, at længden af kablet i vandet er lig med poolens diagonale længde plus to meter.

## Propellen er knækket eller fastlåst på grund af ophobning af hår.

Kontroller, om propellen er i stykker eller skal rengøres (se „Kontrol af vandudløbspropellen“).

## FJERNBETJENINGEN VIRKER IKKE.

### Batteriet er tomt. LED'en blinker eller er slukket.

Kontroller batteriet ved at trykke på en af knapperne. Den røde lampe på fjernbetjeningen blinker ikke eller forbliver konstant tændt, hvis batteriet er tomt. Kontakt din forhandler eller dit servicecenter.

# ROBOT POOL RENERE TYPE CYKLON

## 10. FJERNBETJENING

I dette kapitel gennemgås betjeningen af den valgfrie fjernbetjeningsenhed. Fjernbetjeningen er inkluderet i nogle modeller.

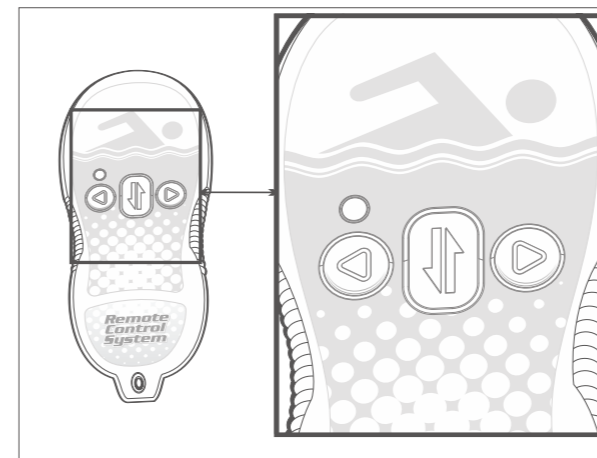
### 10.1. REMOTE CONTROL OVERVIEW

Fjernbetjeningen er en valgfri funktion, der gør det muligt at styre robotrengøringsmaskinen via fjernbetjeningsknapper. Når der trykkes på fjernbetjeningsknapperne, sendes et radiosignal til strøm- og kontrolenheden. Dette signal overføres til en kommando, der sendes til robotrengøringsmaskinen via det flydende kabel.

### 10.2. BRUG AF FJERNBETJENINGEN

1. Tryk på den højre knap (3) for at dreje robotrengøringsmaskinen til højre. Robotrengøringsmaskinen fortsætter med at dreje til højre, indtil knappen slippes.
2. Tryk på den venstre knap (1) for at dreje robotrengøringsmaskinen til venstre. Robotrengøringsmaskinen fortsætter med at dreje til venstre, indtil knappen slippes.
3. Tryk på knappen Forward/Reverse (2) for at stoppe robotrengøringsmaskinen og ændre dens bevægelsesretning.

Fjernbetjeningens LED lyser efter hver kommando. Hvis LED'en ikke reagerer eller blinker, skal du udskifte batteriet.



## 11. CADDY (EKSTRAUDSTYR)

### 11.1. OVERBLIK

Caddy'en er et ekstraudstyr, der gør det nemt at flytte robotrengøringsmaskinen, det flydende kabel og strøm- og kontrolenheden fra sted til sted.

### 11.2. MONTERING AF CADDYEN

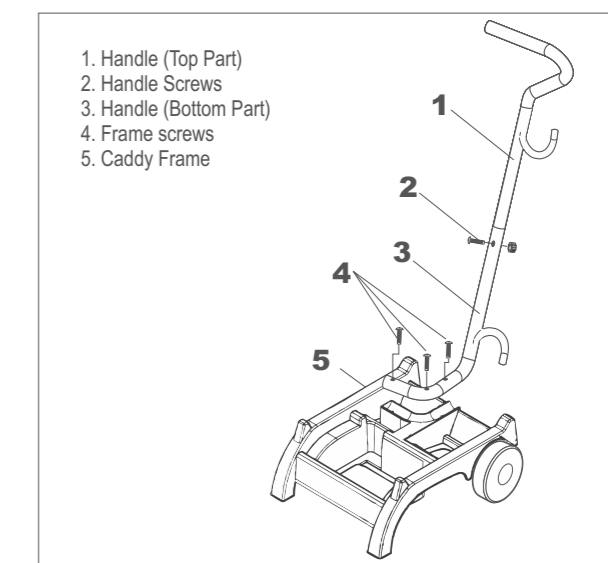
For at samle caddyen skal du bruge en standard skruetrækker og en 8 mm skruenøgle.

#### Tilslutning af caddyskaffet

1. Fastgør håndtagets nederste del (3) til caddyens ramme (5) med de tre skruer (4) og møtrikker.
2. Forbind håndtagets øverste del (1) med håndtagets nederste del (3) ved hjælp af skrue (2) og møtrik.

### 11.3. PÅFYLDNING AF ROBOTRENGØRINGS-MASKINEN PÅ VOGNEN

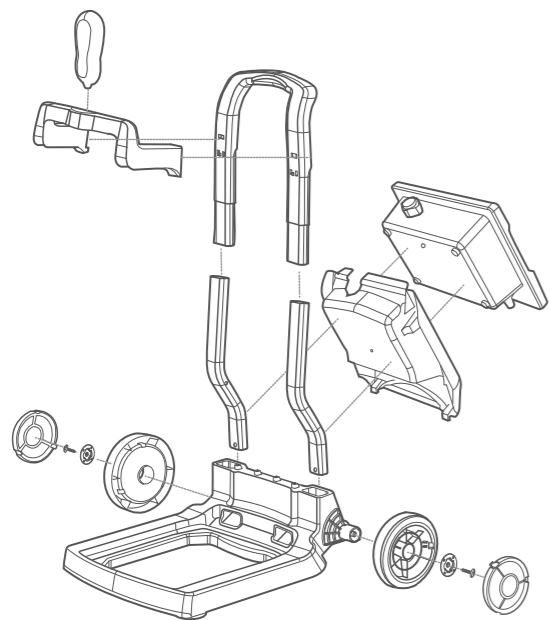
1. Placer rengøringsenheden på caddybunden.
2. Spol det flydende kabel op, og placer det på rengøringsenheden.
3. Placer strøm- og kontrolenheden oven på spolen med det flydende kabel.



# ROBOT POOL RENERE TYPE CYKLON

## 12. TROLLY (VALGFRI)

### Assembly Diagram



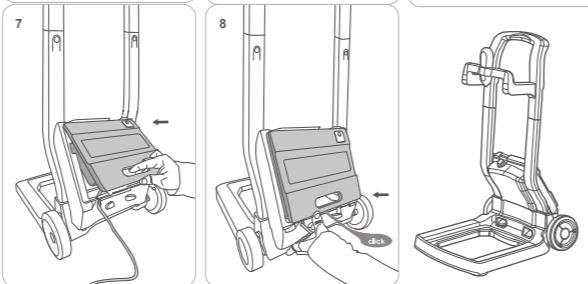
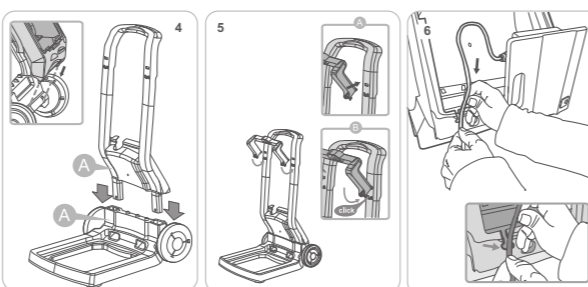
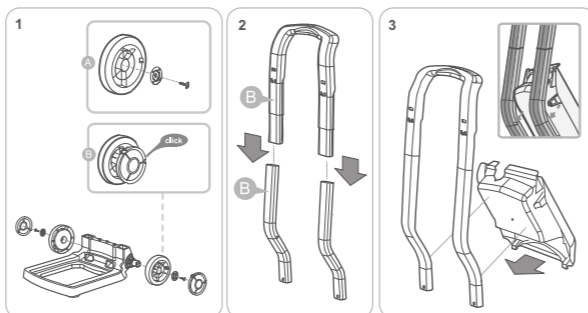
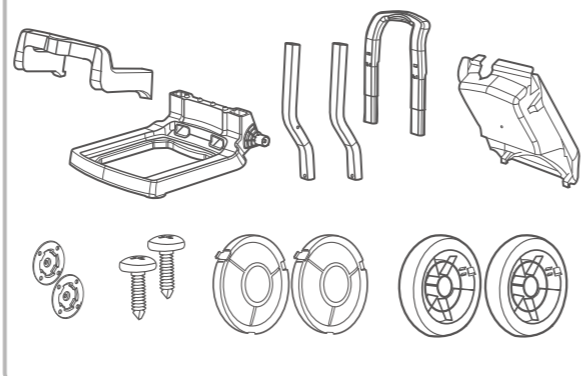
### 12.1. OVERBLIK

Vognen er et valgfrit tilbehør, der gør det nemt at flytte robotrengøringsmaskinen og giver et monteringssted for strøm- og kontrolenheden.

### 12.2 SAMLING AF VOGNEN:

1. Fastgør hjulene på begge sider af trolleybasen og fastgør hvert hjul med skruen, og monter dækslet.
2. Saml de to dele af håndtaget.
3. Fastgør huset til strøm- og kontrolenheden ved at klikke de øverste faner ind i hullerne i håndtaget.
4. Indsæt håndtaget i trolleybasen. Klik de nederste faner på strøm- og kontrolenhedshuset ind i trolleybasen.
5. Fastgør fjernbetjeningsholderen ved at sætte den øverste del ind i trolleyhåndtaget og dreje holderen nedad, indtil den nederste del klikker.
6. Fastgør kablet til strømforsyningsenheden.
7. Placer strøm- og kontrolenhedens kabel i rillen i trolleyens bund.
8. Placer den øverste del af strøm- og kontrolenheden i huset, og skub den nederste del nedad, indtil den klikker fast i trolleybasen.

### Parts



## NOTES

---

---

---

---

---

---

---

---

---

---

---

---

# ROBOT RENGÖRINGSTYP CYCLON

# ROBOT RENGÖRINGSTYP CYCLON

## INNEHÅLL

<b>1. SNABB STARTGUIDE</b>	<b>87</b>
<b>2. FLOTTÖRINSTALLATION</b>	<b>87</b>
<b>3. SÄKERHET</b>	<b>88</b>
<b>4. INTRODUKTION</b>	<b>88</b>
4.1 Översikt över systemet	88
4.2 Hur Robotrengöraren rengör din pool	88
4.3 Driftsförhållanden	89
<b>5. KOMPONENTER</b>	<b>89</b>
5.1 Rengörare och dess huvuddelar	89
5.2 Kraft- och styrenhet	89
<b>6. DRIFT</b>	<b>89</b>
6.1 Före första användningen	89
6.2 Placera rengöringsenheten i vattnet	90
6.3 Starta robotrengöraren	91
6.4 Rengöringscykel	91
6.5 Stoppa robotrengöraren	91
6.6 Ta upp rengöringsenheten från vattnet	91
<b>7. UNDERHÅLL</b>	<b>92</b>
7.1 Rengöring av filtren	92
7.2 Starta robotrengöraren	92
7.3 Kontroll av propeller för vattenuttag	92
<b>8. ROBOTRENGÖRARE PROGRAMMERING</b>	<b>93</b>
8.1 Kontrollpanelen - knappar och indikatorer	93
8.2 Overlay knappar	95
8.3 Använda en extern timer	96
<b>9. FELSÖKNING</b>	<b>96</b>
<b>10. FJÄRRKONTROLL</b>	<b>98</b>
10.1 Översikt över fjärrkontroll	98
10.2 Använda fjärrkontrollen	98
<b>11. CADDY (VALFRITT)</b>	<b>98</b>
11.1 Överblick	98
11.2 Montering av caddyn	98
11.3 Placera robotrengöraren på caddyn	98
<b>12. TROLLY (VALFRITT)</b>	<b>99</b>
12.1 Överblick	99
12.2 Montering av trolly	99

Fel och tekniska modifieringar kan komma att ändras, reproduktion samt elektronisk duplicering får endast ske med vårt skriftliga tillstånd.

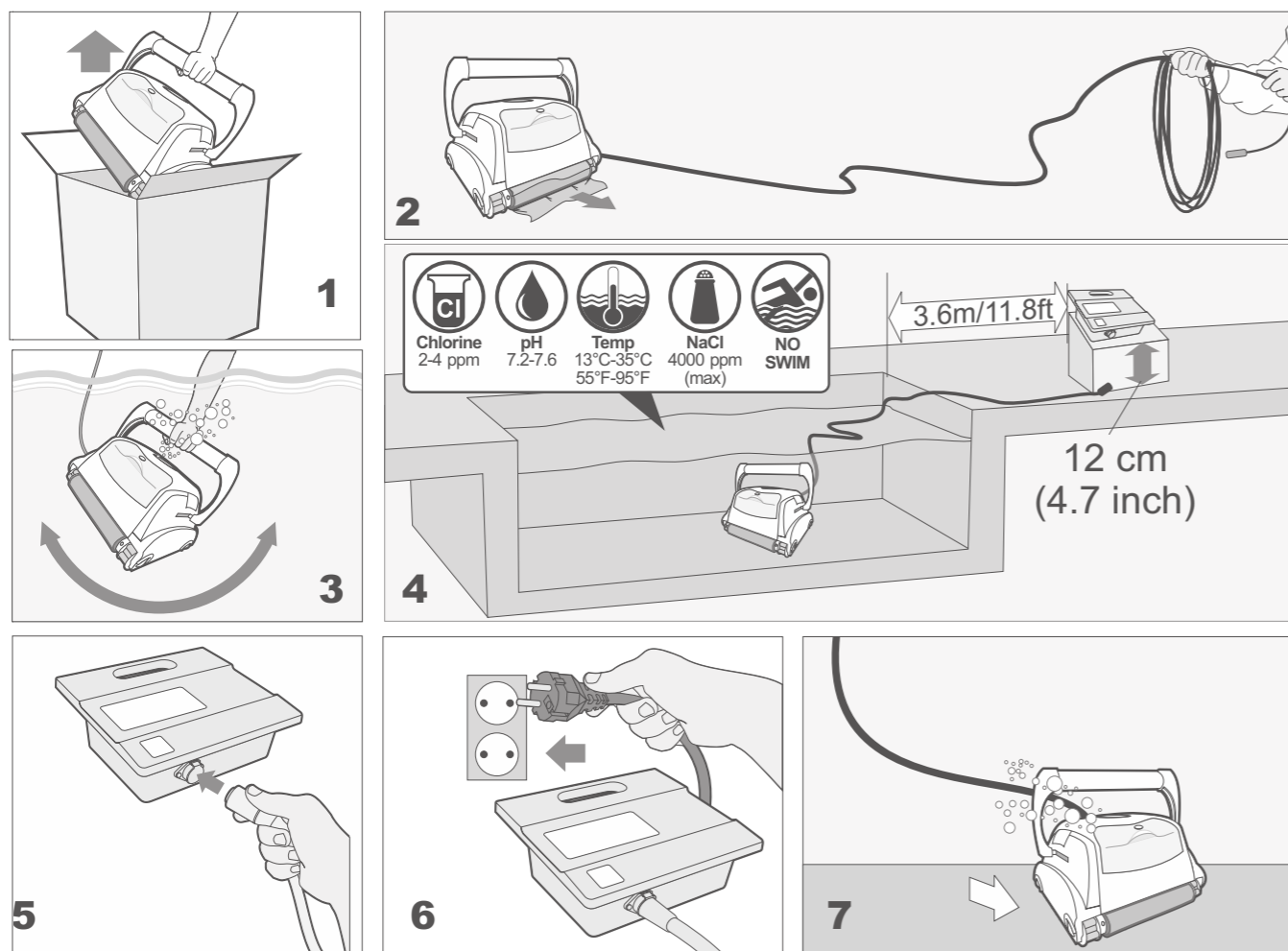
© NORSUP

Utgåva: 11.2020

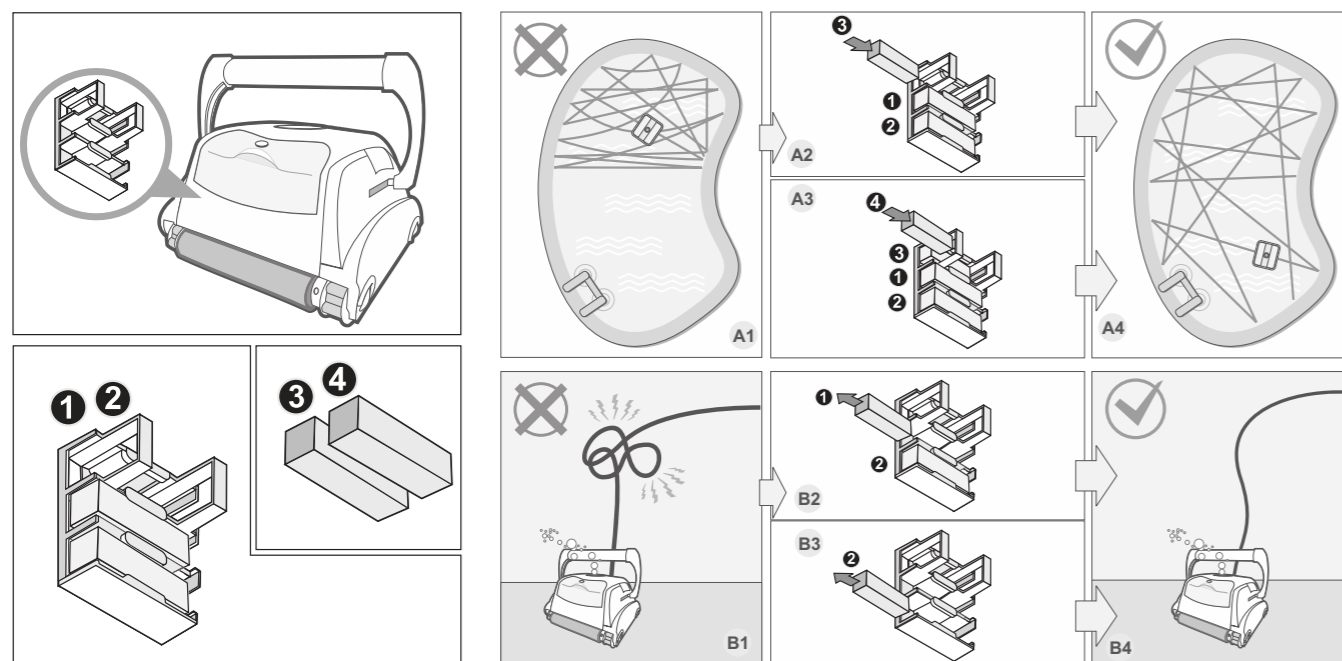


# ROBOT RENGÖRINGSTYP CYCLON

## 1. SNABB STARTGUIDE



## 2. FLOTTÖRINSTALLATION



# ROBOT RENGÖRINGSTYP CYCLON

## 3. SÄKERHET

### VIKtiga SÄKERHETSANVISNINGAR LÄS OCH FÖLJ ALLA INSTRUKTIONER

**WARNING:** Anslut inte strömförsörjningen till ett jordat uttag eller sätt inte poolrengöraren till „ON“ om den inte är helt nedsänkt i vatten. Om du använder rengöraren utanför vattnet kommer det omedelbart att orsaka allvarliga skador och resultera i förlust av garantin.

Låt rengöraren stanna kvar i poolen i 15 till 20 minuter efter avslutad rengöringscykel. Detta gör att motorerna kan svalna ordentligt. Lämna inte rengöraren i poolen hela tiden. Kom alltid ihåg att stänga av strömförsörjningen „OFF“ och koppla ur den från eluttaget innan du tar bort rengöraren från poolen.

### VARNING

Rengöraren får inte användas när människor är i vattnet. Endast för användning med pool

### Säkerhetsanvisningar

- Enheten skall strömförsörjas genom en jordfelsbrytare med en nominell jordfelsbrytare på högst 30 mA
- Anslutningen till grenkretsen bör vara förenlig med de lokala och nationella ledningsreglerna (elektrisk kod).
- Felaktig hantering av enheten kan leda till läckage av smörjmedel.
- Om nätsladden är skadad måste den bytas ut av tillverkarens serviceombud eller en kvalificerad och utbildad person för att undvika risker.

### VARNING

Denna apparat är inte avsedd att användas av personer (inklusive barn) med nedsatt fysisk, sensorisk eller mental förmåga, eller brist på erfarenhet och kunskap, såvida de inte har fått övervakning eller instruktioner om användning av apparaten av en person som ansvarar för deras säkerhet. Barn bör hållas under uppsikt så att de inte leker med apparaten.

### VARNING

En jordfelsbrytare (GFCI-USA) eller en jordfelsbrytare (RCD-EUROPE) måste installeras för att skydda ditt eluttag och förhindra eventuella elektriska stötar.

**SPARA DESSA INSTRUKTIONER**

### Jordning

Strömförsörjningen måste anslutas till en jordad 3-ledare. Nätaggregatet måste anslutas via en GFCI (jordfelsbrytare) eller RCD (jordfelsbrytare) med en nominell restström som inte överstiger 30 mA.

### Säkring

Säkringen får endast bytas av en auktoriserad serviceagent eller utbildad och kvalificerad person. För fortsatt skydd mot brandrisk, byt endast ut mot samma typ och säkringsklass.

### Underhåll och säkerhet

Skyddet bör inte tas bort utom av en auktoriserad serviceagent eller utbildad och kvalificerad person. Ingen intern justering eller komponentbyte kan utföras av användaren. Strömkabeln måste kopplas bort innan locket tas bort. Om nätsladden är skadad måste den bytas ut av en auktoriserad serviceagent eller utbildad och kvalificerad person. Använd inte strömförsörjningen om sladden är skadad.

### Miljöförhållanden

Strömförsörjningen är utformad för att fungera både inomhus och utomhus. Enheten får dock inte användas i direkt solljus eller utsättas för vatten. Strömförsörjningen får inte användas i en omgivningstemperatur som överstiger 40 °C.

## 4. INTRODUKTION

### 4.1 ÖVERSIKT ÖVER SYSTEMET

Robotrengöraren sveper över poolgolvet och väggarna för att samla smuts och skräp i sina interna filter. I den här användarhandboken beskrivs hur du använder robotrengöraren, inklusive rengörings-, underhålls- och lagringsprocedurer.

### ANTECKNING

Denna manual granskar flera robotrengöringsmodeller. Det finns vissa variationer i komponenter enligt specifik modell.

### 4.2 HUR ROBOTRENGÖRAREN RENGÖR DIN POOL

När Robotrengöraren har placerats i poolen och aktiverats fungerar den enligt det program som ställts in via kraft- och styrenheten. Robotrengöraren rör sig längs golvet och väggarna i poolen och täcker hela området på poolgolvet och väggarna. När robotrengöraren är klar med sitt program förblir den inaktiv på poolgolvet.

### ANTECKNING

Väggklättring är en valfri funktion. När väggklättringsfunktionen är aktiverad klättrar robotrengöraren upp väggen med jämna mellanrum enligt sitt interna program. Robotrengöraren förmåga att klättra över trappor i poolen är föremål för trappgeometri och material.

# ROBOT RENGÖRINGSTYP CYCLON

## 4.3 Driftsförhållanden

Robotrengöraren är avsett att användas i poolen pooler på följande villkor:

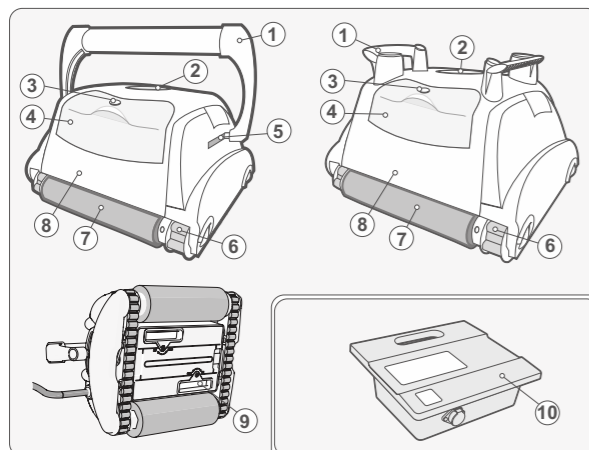
- Temperaturer från 13°C-35°C (55°F-95°F), rekommenderad temperatur är mellan 22°C-32°C (72°F-90°F).
- Vatten pH: 7,2 - 7,6
- Klorhalt: poolen underhålls enligt pooltillverkarens instruktioner. (rekommenderas 2-4 ppm)

## ANTECKNING

Om poolen inte bibehålls enligt rekommenderade driftsförhållanden kan robotrengöraren inte fungera korrekt. Ta bort rengöraren ur vattnet när du utför „Kemisk chockbehandling“ av poolvattnet.

## 5. KOMPONENTER

### 5.1. RENGÖRARE OCH DESS HUVUDDELAR



1. Handtag
2. Utlopps topp
3. Frigöring av filterlås
4. Åtkomst till filtrets topp
5. Handtagslåsmekanism
6. Kör spår
7. Skrubborste
8. Enhetens kropp
9. Vatteninlopp
10. Strömkälla

#### Valfri

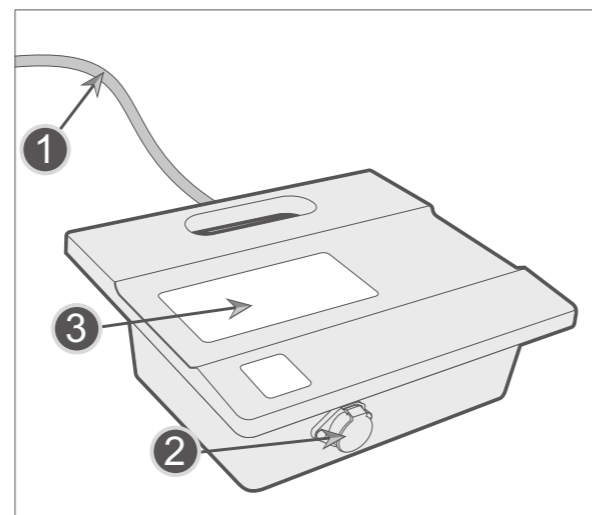
11. Fjärrkontroll
12. „Trolley“ Vagn
13. „Caddy“ Vagn
14. Timer (köpt separat)

### 5.2. KRAFT- OCH STYRENHET

Kraft- och styrenheten ansluts till robotrengöraren via den flytande kabeln. Enheten drivs av växelström (1) och levererar låg spänning och kommandon till rengöringsenheten genom utloppsuttaget (2). Enheten har en kontrollpanel (3) med olika kontroller för att driva robotrengöraren.

### Innehållet i packboxen

Robotrengöraren är förpackad i en låda som innehåller:



- Robotrengöraren och flytande kabel
- Kraft- och styrenhet
- Användarhandbok

Enligt den köpta modellen kan följande tillbehör ingå i förpackningen:

- Fjärrkontroll
- Caddy
- Trolley
- Ytterligare tillbehör

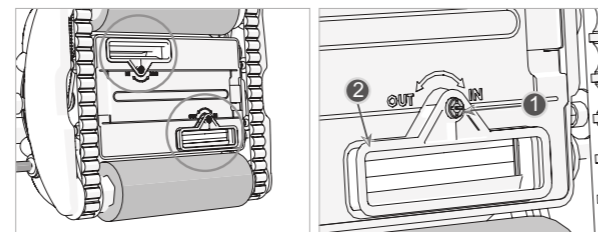
## 6. DRIFT

### 6.1. FÖRE FÖRSTA ANVÄNDNINGEN

Justering Sughöjd: Placering av suginloppet (2) nära poolytan ökar sugkraften och rengöringskvaliteten. Att sänka suginloppet kan leda till störningar på grund av hinder på poolens golv eller väggar.

Använd en skruvmejsel för att justera suginloppets positionsknapp (1).

- IN - drar suginloppet bort från poolytan och minskar sugkraften.
- UT - för suginloppet närmare poolytan och ökar sugkraften.

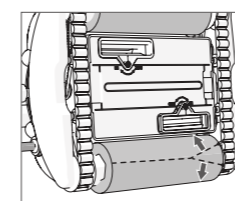
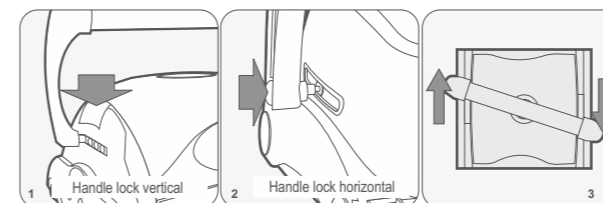


# ROBOT RENGÖRINGSTYP CYCLON

### Justera flytande handtag

På väggklättringsmodeller ställer du in det flytande handtaget:

1. Tryck på låsknappen (1 eller 2 enligt modellen) för att lossa handtagslåset.
2. Placera handtaget (3) diagonalt på maximalt läge.
3. Upprepa steg 1 och 2 på andra sidan av rengöringsenheten.

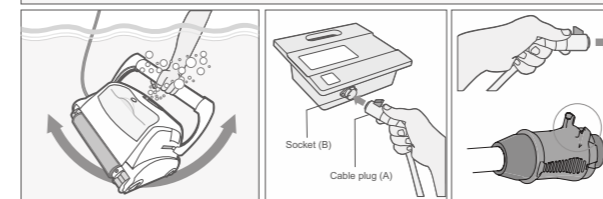
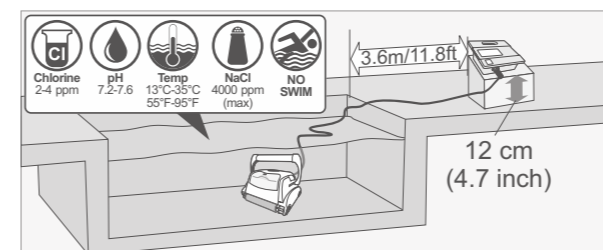


### Ta bort borstskydd

Robotrengöraren levereras med ett skydd över skrubborstarna. Ta försiktigt bort nylonlocken från skrubborstarna.

## FÖRSIKTIGHET

Använd inte ett skarpt verktyg för att ta bort locket eftersom det kan skada borstarna.



### Placera kraft- och styrenheten

4. Placera kraft- och styrenheten minst 3,6 meter från poolen och minst 12 cm över ytan.

## FÖRSIKTIGHET

Kraft- och styrenheten får inte utsättas för vatten eller direkt solljus.

5. Lossa flytande kabelplastband som används för att säkra kablarna under transport genom att trycka på plastlåset på bandet.

### Innan du placerar rengöraren i vattnet

1. Se till att det inte finns några människor i poolen.
2. Se till att filtren är rena.
3. Se till att poolvillkoren är uppfyllda. (se „Driftsförhållanden“).

### 6.2. PLACERA RENGÖRINGSENHETEN I VATTNET

1. Rulla ut den flytande kabeln. Det rekommenderas att förlänga en kabellängd som är lika med poolens diagonala storlek plus ytterligare två meter.
2. Placera rengöringsenheten i poolen.
3. Låt robotrengöraren sjunka till botten av poolen. Börja inte använda den innan robotrengöraren har satt sig på poolgolvet.
4. Sprid den flytande kabeln över poolen. Se till att endast den önskade kabellängden är spridd över poolen. Jämna ut spolar eller vridningar i kabeln. Rulla ut extra kabel utanför poolen nära ström- och styrenheten.
5. Anslut den flytande kabeln (A) till uttaget (B) som sitter på ström- och styrenheten.

## FÖRSIKTIGHET

Om du använder rengöraren utanför vattnet kommer det att omedelbart orsaka allvariga skador och resultera i förlust av garantin.

# ROBOT RENGÖRINGSTYP CYCLON

## 6.3. STARTA ROBOTRENGÖRAREN

Anslut ström- och styrenheten till vägguttaget (1). Drifts LED tänds (4) och robotrengöringsaren startar sitt rengöringsprogram.

Om ström- och styrenheten redan är ansluten till växelströmsuttaget blinkar lysdioden (5) för att indikera att robotrengöraren är i standby-läge.

Tryck på knappen Drift (6). Drifts LED tänds (6) och robotrengöraren startar rengöringsprogrammet.

### ANTECKNING

När lysdioden För kontrollfilter (3) (tillval i vissa modeller.) tänds måste robotrengöringsfiltren rengöras innan rengöringsenheten placeras i poolen.

## 6.4. RENGÖRINGSCYKEL

Under rengöringscykeln: robotrengöraren:

- Rör sig över poolgolvet och plockar upp smuts och skräp.
- Ändrar riktning och roterar automatiskt enligt det valda programmet.
- Klättrar på poolväggarna med några minuters mellanrum, enligt vad som anges i dess interna program.

### ANTECKNING

Robotrengöraren kan ibland sluta röra sig i några sekunder. Detta är en del av normal drift, inte ett fel.

## 6.5. STOPPA ROBOTRENGÖRAREN

Robotrengöraren flyttas automatiskt till STANDBY efter varje rengöringscykel och driftslampan börjar blinka (5).

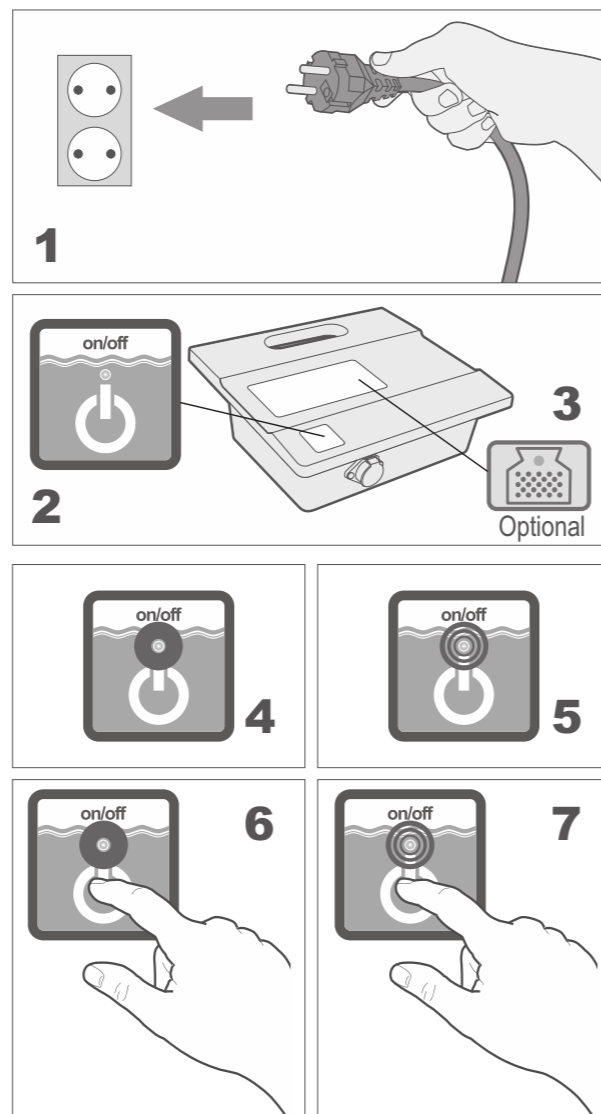
För att stoppa rengöringsoperationen under en rengöringscykel, tryck på driftsknappen (7) en gång. Driftlampan börjar spola (7) och rengöraren är i standby-läge.

## 6.6. TA UPP RENGÖRINGSENHETEN FRÅN VATTNET

1. Koppla ur den flytande kabeln från ström- och styrenheten.
2. Dra upp den flytande kabeln för att dra rengöraren närmare tills det är möjligt att ta tag i handtaget.
3. Lyft ut renarenheten ur poolen med hjälp av handtaget.

### FÖRSIKTIGHET

Använd inte den flytande kabeln för att lyfta upp renarenheten ur vattnet.



# ROBOT RENGÖRINGSTYP CYCLON

## 7. UNDERHÅLL

### 7.1. RENGÖRING AV FILTREN

De två filtren måste rengöras efter varje rengöringscykel.

1. Släpp filtret och dra ut det ur rengöringsenheten. (1), (2)
2. Dra filterluckan mot filterhuset för att öppna filterhöljet. (3), (4)
3. Spruta vatten på filtrets yttre sidor och spruta sedan vatten mot filtrets inre sida för att rengöra all smuts och skräp. (5)
4. Kontrollera att den lilla plastluckan (2) är på plats och inte trasig och stäng sedan filtret. (6)
5. Sätt tillbaka filtret på dess plats tills ett klick hörs för att säkra filtret på plats. (7), (8)

### 7.2. STARTA ROBOTRENGÖRAREN

Följ dessa instruktioner för att förvara Robotrengöraren när den inte används:

1. Koppla bort nätsladden från vägguttaget.
2. Koppla bort den flytande kabeln från ström- och styrenheten.
3. Sprid ut den flytande kabeln och släpp ut eventuella vridningar i kabeln.
4. Tvätta det rengöringsenhetens inre utrymme med färskt vatten och låt den torka.
5. Rulla den flytande kabeln och placera den på CLEANER-enheten.



### FÖRSIKTIGHET

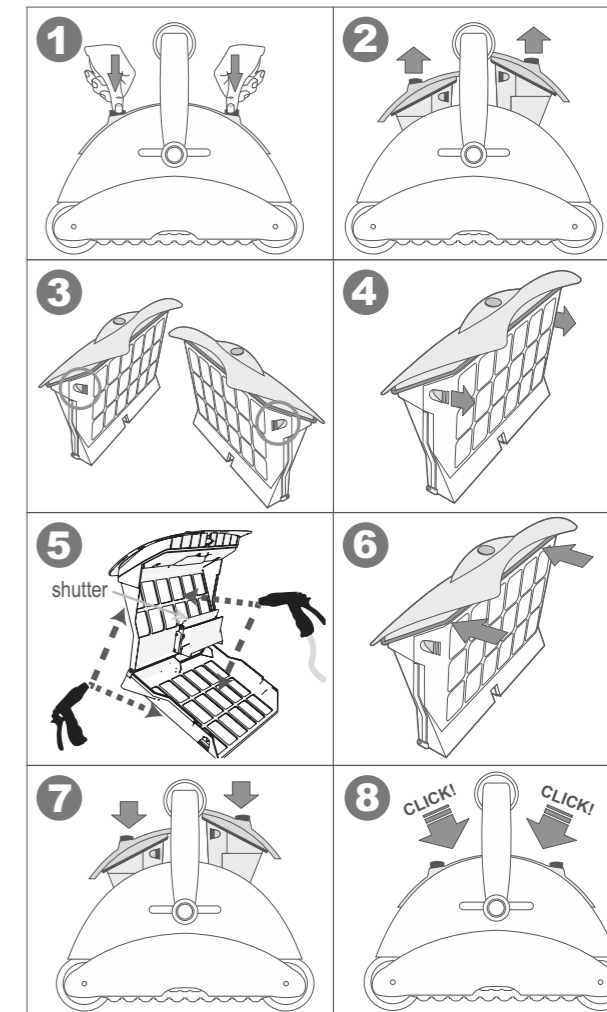
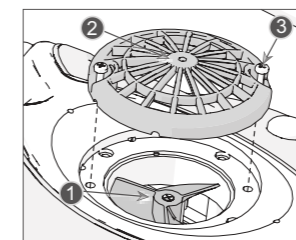
Rulla INTE den flytande kabeln PÅ handtaget på rengöringsenheten.

6. Förvara robotrengörings komponenterna på en torr, stängd plats.
7. Kontrollera att kraft- och styrenheten inte utsätts för vatten.

### 7.3. KONTROLL AV PROPELLER FÖR VATTENUTTAG

Det rekommenderas att regelbundet rengöra skräp och hår från vattenutloppets propeller:

1. Ta bort skruvarna (3) som håller vattenutloppsskyddet (2).
2. Ta bort vattenutloppsskyddet (2).
3. Rengör hår, smuts eller skräp.
4. Kontrollera att propellern (1) inte är trasig.
5. Sätt tillbaka locket (2) och fäst det med skruvarna (3).



# ROBOT RENGÖRINGSTYP CYCLON

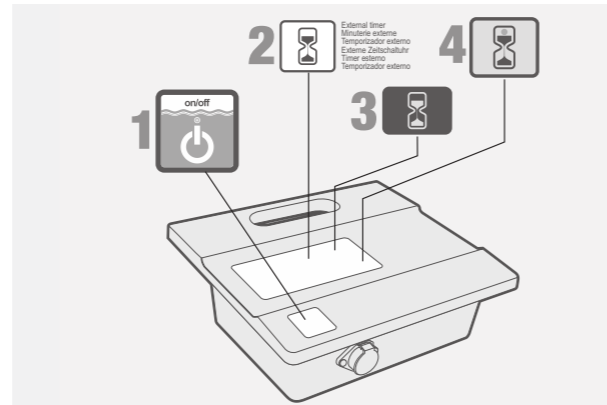
## 8. ROBOTRENARE PROGRAMMERING

I det här kapitlet granskas programmeringsalternativen. Skippa det här kapitlet om din modell inte är programmerbar eller om robotrengöraren redan är programmerad.

### 8.1. KONTROLLPANELEN - KNAPPAR OCH INDIKATORER

Kontrollpanelen består av:

- På/av-effekt (1) - startar och stoppar robotrengöringsdriften.
- Funktionsbeskrivning (2) - beskriver funktionen
- Kontrollknappar (3) - mörkblå, gör det möjligt att välja relevant funktion.
- Statusdisplay (4) - indikeringslampa tänds för att visa det valda alternativet eller det rengörarens tillstånd.



# Aquacontrol

check filter  
chèque filtre  
filter überprüfen  
controllare il sacchetto filtrante  
revise el filtro

cleaning time  
temps de nettoyage  
reinigungszeit  
tempo di pulizia  
tiempo de limpieza

2.0H

1.5H

## SPS 100

**Aquacontrol**

- Cleaning program  
Mode nettoyage  
Programa de limpieza  
Reinigungsprogramm  
Programma di pulizia  
Programa de limpeza
- Internal timer  
Minuterie interne  
Temporizador interno  
Interne Zeitschaltuhr  
Timer interno  
Temporizador interno
- Check filter  
Vérifiez le filtre  
Revise el filtro  
Filter überprüfen  
Controllare il sacchetto filtrante  
Verifique o Filtro
- External timer  
Minuterie externe  
Temporizador externo  
Externe Zeitschaltuhr  
Timer esterno  
Temporizador externo

PROGRAM 03 96h

PROGRAM 02 72h

PROGRAM 01 48h

## SPS 200

# ROBOT RENGÖRINGSTYP CYCLON

**Aquacontrol**

- Swivel  
Pivot  
Swivel  
Drehlager  
Manopola di disattorcigliamento  
Swivel
- Cleaning program  
Mode nettoyage  
Programa de limpieza  
Reinigungsprogramm  
Programma di pulizia  
Programa de limpeza
- Internal timer  
Minuterie interne  
Temporizador interno  
Interne Zeitschaltuhr  
Timer interno  
Temporizador interno

Check filter  
Vérifiez le filtre  
Revise el filtro  
Filter überprüfen  
Controllare il sacchetto filtrante  
Verifique o Filtro

External timer  
Minuterie externe  
Temporizador externo  
Externe Zeitschaltuhr  
Timer esterno  
Temporizador externo

PROGRAM 03 96h

PROGRAM 02 72h

PROGRAM 01 48h

## SPS 300

**Aquacontrol**

- Auto detect  
Auto detección  
Automatische Erkennung  
Auto diagnosi  
Detección automática
- Swivel  
Pivot  
Swivel  
Drehlager  
Manopola di disattorcigliamento  
Swivel
- Internal timer  
Minuterie interne  
Temporizador interno  
Interne Zeitschaltuhr  
Timer interno  
Temporizador interno
- External timer  
Minuterie externe  
Temporizador externo  
Externe Zeitschaltuhr  
Timer esterno  
Temporizador externo

Pool shape  
Forme de piscine  
Forme de la piscine  
Beckenform  
Forma piscina  
Forma da piscina

Cleaning program  
Mode nettoyage  
Programa de limpieza  
Reinigungsprogramm  
Programma di pulizia  
Programa de limpeza

Check filter  
Vérifiez le filtre  
Revise el filtro  
Filter überprüfen  
Controllare il sacchetto filtrante  
Verifique o Filtro

HIGH

NORMAL

PROGRAM 03 96h

PROGRAM 02 72h

PROGRAM 01 48h

## SPS 400

**Aquacontrol**

- Auto detect  
Auto detección  
Automatische Erkennung  
Auto diagnosi  
Detección automática
- Swivel  
Pivot  
Swivel  
Drehlager  
Manopola di disattorcigliamento  
Swivel
- Cleaning Level  
Niveau de Nettoyage  
Nível de Limpeza  
Reinigungsstufe  
Livello di Pulizia  
Nível de Limpeza
- Delay  
Retard  
Retrasar  
Verzögerung  
Ritardo  
Atrasar

Pool shape  
Forme de piscine  
Forme de la piscine  
Beckenform  
Forma piscina  
Forma da piscina

Cleaning program  
Mode nettoyage  
Programa de limpieza  
Reinigungsprogramm  
Programma di pulizia  
Programa de limpeza

Check filter  
Vérifiez le filtre  
Revise el filtro  
Filter überprüfen  
Controllare il sacchetto filtrante  
Verifique o Filtro

HIGH

NORMAL

PROGRAM 03

PROGRAM 02








PROGRAM 01

## SPS 500

# ROBOT RENGÖRINGSTYP CYCLON

## 8.2. OVERLAY KNAPPAR

### MODELL

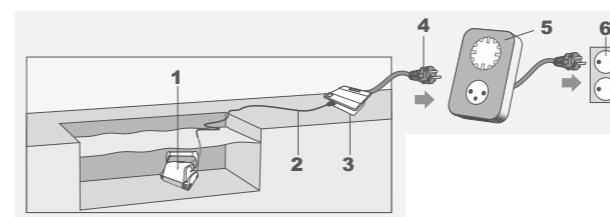
100/200 300/400 500		<b>Kontrollera filter</b> - Upplyst ljus innebär att filterpåsen måste tas bort, rengöras och installeras korrekt tillbaka i roboten för att fungera effektivt. I modellerna 300, 400, 500 - slutar robotrengöraren klättra på väggarna när kontrollfiltret är upplyst
100		<b>Rengöringstid</b> - tid som ägnats åt att städa poolen. Tryck på knappen för att välja önskad tid. En röd lampa indikerar ditt val. Den här funktionen kan bara väljas när strömförsörjningen är i vänteläge
200 300/400		<b>Intern timer - Alternativt Automatisk drift:</b> Var 48:e timme Var 72:e timme Var 96:e timme
200/300		<b>Val av rengöringsprogram:</b> Program 01 - 1 timmes golv- och väggrengöring Program 02 - 1,5 timmars golv- och väggrengöring Program 03 - 2 timmars golv- och väggrengöring
400		<b>Val av rengöringsprogram:</b> Program 01 - 1,5 timmars rengöringsprogram endast för golv Program 02 - 2 timmars golv- och väggrengöring Program 03 - 2,5 timmars golv- och väggrengöring
500		<b>Val av rengöringsprogram:</b> Program 01 - 1,5 timmars rengöringsprogram endast för golv Program 02 - 4 timmars golv- och väggrengöring (på vissa modeller är väggrengöringsfunktion inte tillgänglig) Program 03 - 5 timmars golv- och väggrengöring (på vissa modeller är väggrengöringsfunktion inte tillgänglig)
200 300/400		<b>Extern timer</b> Den här funktionen ger slutanvändaren möjlighet att programmera rengöringsschemat via en extern timer (säljs separat). Om du trycker på den här knappen aktiveras och inaktiveras den här funktionen.
300/400 500		<b>Svängknapp</b> - justera robohastigheten för varv i poolen. Normal - Standarddrift Hög - Olika hastighet på rengöringsvarv
400/500		<b>Automatisk detektering:</b> Den här funktionen förhindrar att roboten fastnar på hinder i poolen som huvudavlopp, steg, stegar etc. Tryck på den här knappen för att välja något av följande alternativ:  <b>Identifiera automatiskt - OFF.</b> Välj det här alternativet Om din pool har hinder på golvet, till exempel högt avlopp. Detta förhindrar att enheten ändrar riktning när den träffar hindret.  <b>Identifiera automatiskt - ON.</b> Välj det här alternativet Om poolgolvet är fritt från hinder.
400/500		<b>Poolform:</b> Gör det möjligt för roboten att beräkna det mest effektiva rengöringsmönstret för den valda poolformen. Tryck på knappen för att välja den ritning som passar bäst för poolens form. En röd lampa indikerar ditt val.
500		<b>Rengöringsnivå - Ändra rengöringsprestanda</b>  Snabbt: Välj om din pool har liten mängd smuts  Regelbunden: Välj för dagligt underhåll  Grundligt: Välj om din pool har stor mängd smuts
500		<b>Försening</b> När det här alternativet är på börjar roboten arbeta efter 2 timmars fördröjning. Denna funktion används för att låta skräp och damm sjunka på golvet innan robotens rengöring påbörjas.

# ROBOT RENGÖRINGSTYP CYCLON

## 8.3. ANVÄNDA EN EXTERN TIMER

(Valfritt, bör köpas separat)

En extern timer kan användas för att automatiskt aktivera rengöraren på förinställt tid. Den externa timern ska anslutas mellan vägguttaget och ström- och styrenheten



1. Enhet
2. Kabel
3. Strömkälla
4. Strömkälla
5. Extern timer (köps separat)
6. Utlopp

## 9. FELSÖKNING

### RENGÖRAREN STARTAR INTE

#### Det finns ingen el i vägguttaget.

1. Koppla bort den flytande kabeln från ström- och styrenheten.
2. Koppla bort strömförsörjningen från vägguttaget, vänta 30 sekunder och anslut igen.
3. Slå på strömmen. Om den inte är aktiverad ansluter du enheten till ett annat vägguttag.

#### Flytande kabel är inte korrekt ansluten till ström- och styrenheten.

Koppla bort den flytande kabeln från ström- och styrenheten.

#### Hinder i enhetens drivsystem.

1. Vrid försiktigt på rengöringsenheten för att se undersidan.
2. Roter spåren och skrubba borstarna för hand. Den ska rotera men den ska inte rotera fritt.
3. Rengör och ta bort hinder och skräp vid behov.

#### Propellern fastnar på grund av håransamling.

Kontrollera om propellern är trasig eller behöver rengöras (se „Kontrollera vattenutloppspropeller“).

### RENGÖRAREN RÖR SIG MEN PUMPAR INTE VATTEN.

#### Filter är smutsiga.

1. Ta bort filtren
2. Kör Robotrengöraren i poolen utan filtren. Rengör filtren väl eller byt ut filtren om de fungerar ordentligt.

#### Propellern bryts eller fastnar på grund av håransamling.

Kontrollera om propellern är trasig eller behöver rengöras (se „Kontrollera vattenutloppspropeller“).

### RENGÖRAREN PUMPAR VATTEN MEN RÖR SIG INTE.

#### Hinder i enhetens drivsystem.

1. Vrid försiktigt på rengöringsenheten för att se undersidan.
2. Roter spåren och skrubba borstarna för hand. Den ska rotera men den ska inte rotera fritt.
3. Rengör och ta bort hinder och skräp vid behov.

### RENGÖRAREN STARTAR OCH STÄNGS AV EFTER EN KORT STUND.

#### Filter är smutsiga.

1. Ta bort filtren.
2. Kör Robotrengöraren utan filter. Rengör filtren väl eller byt ut filtren om de fungerar ordentligt.

#### Propellern bryts eller fastnar på grund av håransamling.

1. Ta bort de övre skruvarna på det övre uttaget.
2. Kontrollera om propellern är trasig eller behöver rengöras.

#### Hinder i enhetens drivsystem.

1. Vrid försiktigt på rengöringsenheten för att se undersidan.
2. Roter spåren och skrubba borstarna för hand. Den ska rotera men den ska inte rotera fritt.
3. Rengör och ta bort hinder och skräp vid behov.

### STÄDAREN PLOCKAR INTE UPP SMUTS.

#### Filter är smutsiga eller har hål.

Rengör efter behov och kontrollera att det inte finns några hål i filtren.

#### Propellern bryts eller fastnar på grund av håransamling.

Kontrollera om propellern är trasig eller behöver rengöras (se „Kontrollera vattenutloppspropeller“).

#### Suginloppet är inte tillräckligt nära poolgolvet.

Flytta suginloppet UT (se „Justera sughöjd“).

### SMUTS KOMMER UT UR RENGÖRAREN NÄR DU TAR BORT DEN FRÅN POOLEN.

#### Filterluckan är trasig eller saknas.

Öppna filtren och kontrollera att filterluckan inte är trasig och fungerar korrekt (se „Rengöringsfilter“).

#### Hål i filtren.

Öppna filtren och kontrollera att det inte finns några hål i filterskärmarna (se „Rengöringsfilter“).

#### Bottenlocket är inte ordentligt stängt.

Se till att det nedre locket är ordentligt stängt.  
**RENGÖRINGSENHETEN TÄCKER INTE HELA POOLEN.**



# ROBOT RENGÖRINGSTYP CYCLON

**Filter är smutsiga.**  
RENGÖRING AV FILTREN

**Det finns inte tillräckligt med längd på den flytande kabeln i vattnet för att nå den bortre änden av poolen, eller kabeln är trasslig.**

1. Kontrollera att det finns tillräckligt med längd på den flytande kabeln i vattnet för att nå den bortre änden av poolen.
2. Se till att den flytande kabeln är ordentligt spridd och inte trasslig.

**Vinkeln på det flytande handtaget påverkar rengörarens rörelse.**

Öka den diagonala vinkeln på det flytande handtaget (se „Justera flytande handtag“).

**Pool pH-nivå är felaktig.**

Se till att pH-nivån är mellan 7,2 och 7,6.

**Klorhalten är felaktig.**

Kontrollera vattenklorbehandlingen och korrigerar vid behov (Ta bort rengöraren från poolen under behandlingen).

**Propellern bryts eller fastnar på grund av håransamling.**

1. Ta bort de övre skruvarna på det övre uttaget.
2. Kontrollera om propellern är trasig eller behöver rengöras.

**Hinder i enhetens drivsystem.**

1. Vrid försiktigt på rengöringsenheten för att se undersidan.
2. Roter spåren och skrubba borstarna för hand. Den ska rotera men den ska inte rotera fritt.
3. Rengör och ta bort hinder och skräp vid behov.

**STÄDAREN KLÄTTRAR INTE PÅ VÄGGAR.**

**Städaren klättrar inte på poolväggarna.**

1. Kontrollera om din Robotrengöraren inte är en golvmodell.
2. Kontrollera att P1, endast golvrengöring, inte är markerat på kraft- och styrenheten (se „Robotrensare programmering“).

**Filter är smutsiga.**  
RENGÖRING AV FILTREN

**Propellern bryts eller fastnar på grund av håransamling.**

Kontrollera om propellern är trasig eller behöver rengöras (se „Kontrollera vattenutloppspropeller“).

**pH-nivån är felaktig.**

Se till att pH är mellan 7,2 och 7,6.

**Klorhalten är felaktig.**

Kontrollera vattenklorbehandlingen (ta bort rengöraren från poolen under behandlingen).

**Vattentemperaturen är inte optimal.**  
Rekommenderad temperatur är mellan 22°C-32°C (72°F-90°F).

**KABELN ÄR TRASSLIG.**

**Filter är smutsiga.**  
RENGÖRING AV FILTREN

**Bottenlocket är inte ordentligt stängt.**  
Se till att det nedre locket är ordentligt stängt.

**Kabeln sprids inte ut innan du sätter rengöraren i poolen.**

Se till att den flytande kabeln är ordentligt spridd och inte trasslig innan du använder robotrengöraren.

**Kabelns längd i vattnet är för lång.**

Kontrollera att kabelns längd i vattnet är lika med poolens diagonallängd plus två meter.

**Propellern bryts eller fastnar på grund av håransamling.**

Kontrollera om propellern är trasig eller behöver rengöras (se „Kontrollera vattenutloppspropeller“).

**FJÄRRKONTROLLEN FUNGERAR INTE.**

**Batteriet är tomt. Lysdioden blinkar eller av.**  
Kontrollera batteriet genom att trycka på en av knapparna. Den röda lampan på fjärrkontrollen blinkar inte eller tänds kontinuerligt om batteriet är tomt. Kontakta din återförsäljare eller servicecenter.

# ROBOT RENGÖRINGSTYP CYCLON

**10. FJÄRRKONTROLL**

I det här kapitlet granskas driften av den valfria fjärrkontrollenheten. Fjärrkontrollen ingår i vissa modeller.

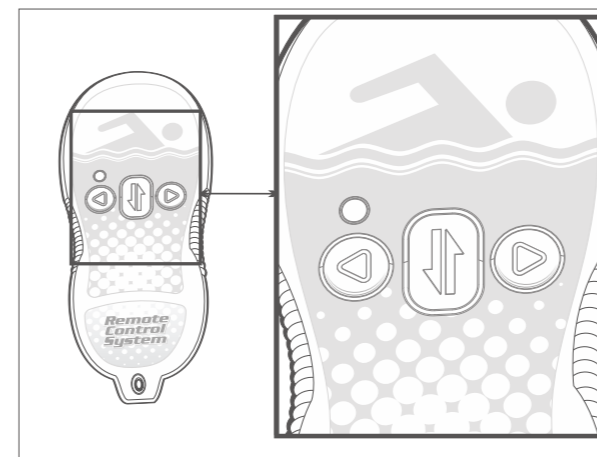
**10.1. ÖVERSIKT ÖVER FJÄRRKONTROLL**

Fjärrkontrollen är en valfri funktion som gör det möjligt att styra robotrengöringen via fjärrkommandoknappar. När du trycker på fjärrkontrollknapparna överförs radiosignalen till ström- och styrenheten. Denna signal överförs till ett kommando som skickas till robotrengöraren via den flytande kabeln.

**10.2. ANVÄNDA FJÄRRKONTROLLEN**

1. Tryck på höger knapp (3) för att vrida robotrengöraren åt höger. Robotrengöraren fortsätter att vända åt höger tills knappen släpps.
2. Tryck på vänster knapp (1) för att vrida Robotrengöraren åt vänster. Robotrengöraren fortsätter att vända åt vänster tills knappen släpps.
3. Tryck på framåt-/bakåtknappen (2) för att stoppa robotrengöraren och ändra dess rörelseriktning.

Fjärrkontrolllampan tänds efter varje kommando. Om lysdioden inte svarar eller blinkar byter du ut batteriet.



**11. CADDY (VALFRITT)**

**11.1. ÖVERBLICK**

Caddyn är ett tillbehör som gör det enkelt att flytta robotrengöraren, flytande kabel och kraft- och styrenheten från plats till plats.

**11.2. MONTERING AV CADDYN**

För att montera caddyn behöver du en vanlig skruvmejsel och en 8 mm skiftnyckel.

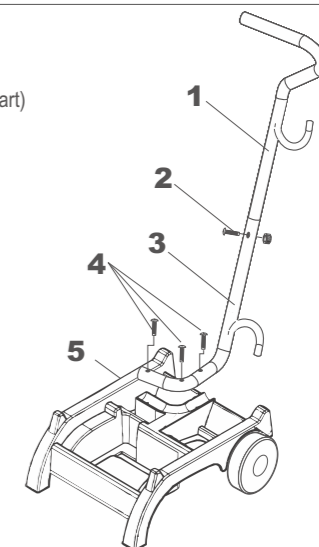
**Ansluta Caddy-handtaget**

1. Fäst handtagets nedre del (3) på caddyramen (5) med de tre skruvarna (4) och muttrarna.
2. Anslut handtagets övre del (1) till handtagets nedre del (3) med skruv (2) och mutter.

**11.3. PLACERA ROBOTRENGÖRAREN PÅ CADDYN**

1. Placera rengöringsenheten på caddybasen.
2. Rulla den flytande kabeln och placera den på rengöringsenheten.
3. Placera ström- och styrenheten ovanpå den flytande kabelspolen.

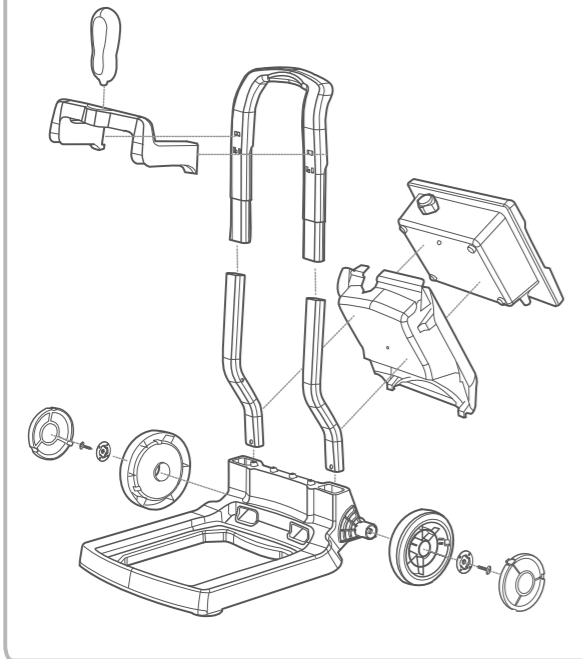
1. Handle (Top Part)
2. Handle Screws
3. Handle (Bottom Part)
4. Frame screws
5. Caddy Frame



# ROBOT RENGÖRINGSTYP CYCLON

## 12. TROLLY (VALFRITT)

### Assembly Diagram

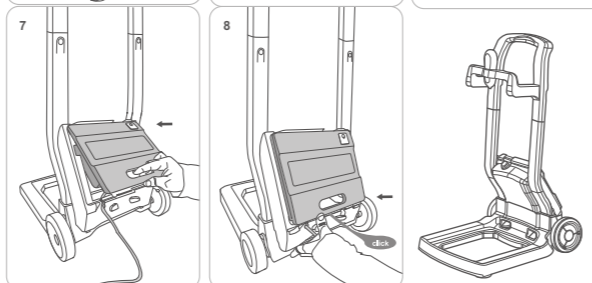
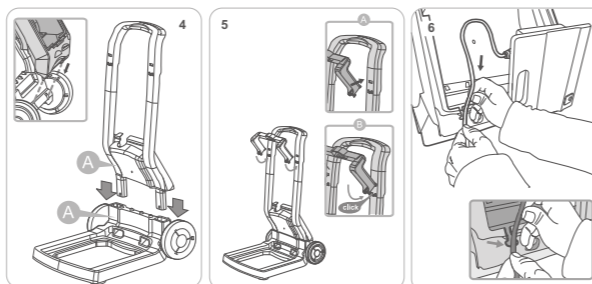
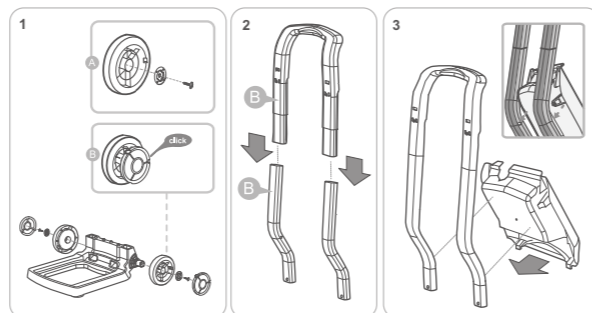
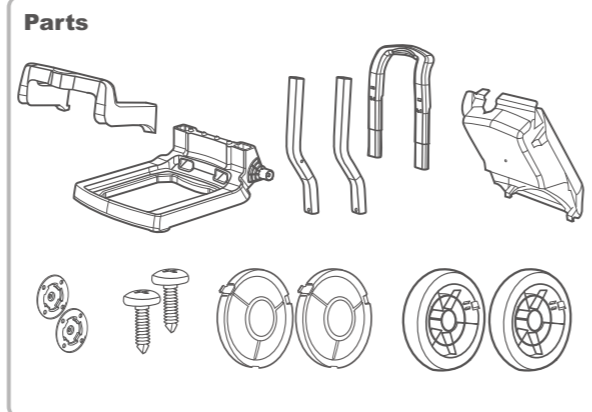


### 12.1. ÖVERBLICK

Trolley är ett tillbehör som gör det enkelt att flytta Robotrengöraren och ger en monteringsplats för kraft- och styrenheten.

### 12.2 MONTERING AV TROLLY:

1. Fäst hjulen på båda sidor av den trolliga basen och fäst varje hjul med skruven och montera locket.
2. Montera de två delarna av handtaget.
3. Fäst kraft- och styrenhetens hölje genom att klicka på de övre flikarna i hålen i handtaget.
4. Sätt in handtaget i den trolliga basen. Klicka på de nedre flikarna på kraft- och styrenhetens hölje i den trolley basen.
5. Fäst fjärrkontrollhållaren genom att föra in den övre delen i det trolliga handtaget och vrida hållaren nedåt tills den nedre delen klickar.
6. Anslut kabeln på strömförsörjningen
7. Placera ström- och styrenhetskabeln i spåret i trolley basen.
8. Placera den övre delen av kraft- och styrenheten i höljet och tryck den nedre delen nedåt tills den klickar in i trolley basen.



## ANTECKNINGAR

---

---

---

---

---

---

---

---

---

---

---

---

---

---

---

---

---

---

---

---

---

---

---

---



  
**NORSUP**  
BRINGING WATER TO THE NEXT LEVEL