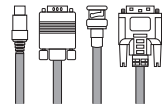


# 32" High-Bright Medical Display

## FS-L3202D



FSN's 32 inch HD medical-grade monitor features a large viewing area, yet is within the requirements of most boom mounting systems. Picture-in-picture or picture-by-picture screen layouts can be fully adjusted for size and position, giving surgeons the flexibility to work with video images tailored to their preference. FS-L3202D is designed without an internal fan. This eliminates the spread of contaminants and makes the monitor perfectly suited for the sterile field in an operating room.



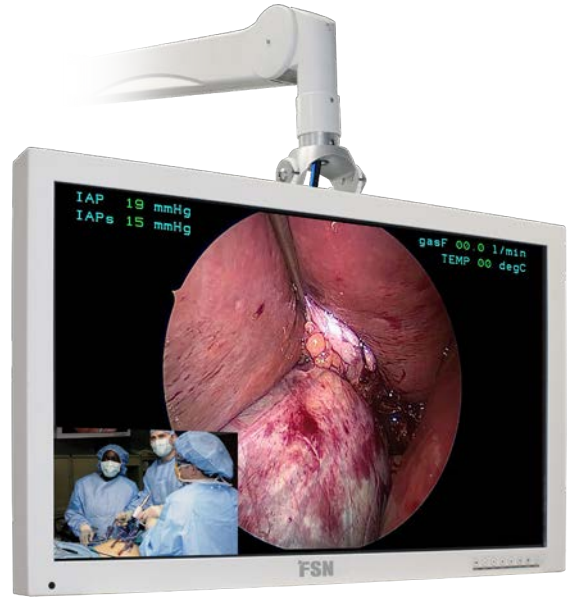
### Input & Output Selection

FS-L3202D comes standard with extensive compatibility already built in. Connections are available for a vast array of video signals (digital and analog) including DVI-D, 3G-SDI, SOG, VGA, C-Video, S-Video, and Component. This means that it can adapt to different applications without having to buy extra equipment.



### Source Compatibility

With a full range of signal timing tables, FS-L3202D offers ultra-fast video signal detection.

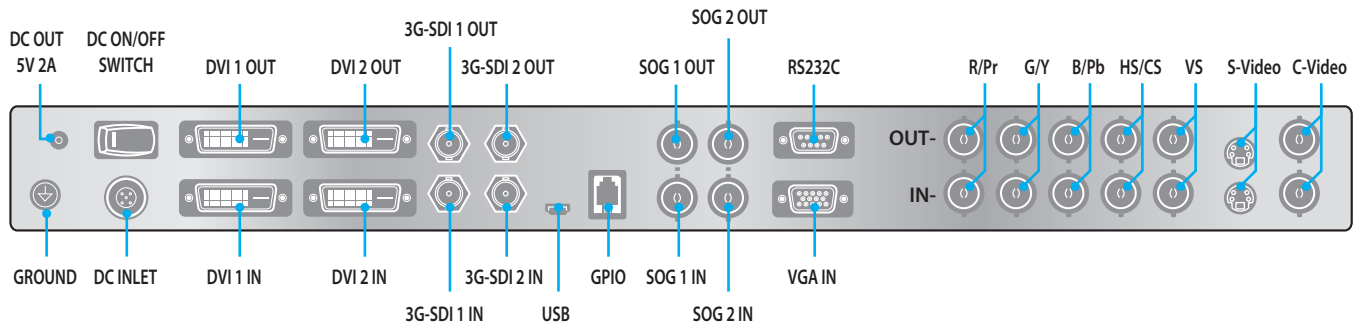


This monitor offers superior color reproduction, and displays exact visualization of critical anatomy being captured by the camera. It provides surgeons with the images needed for multi-specialty procedures, all while being compatible with all popular endoscopy systems.



### Attention to Detail

This unit comes with design enhancements that improve workflow in a medical operating room environment. A handheld remote control is included. DC power is available near the video in/out connections to support smaller components such as fiber optic receivers. FS-L3202D reduces cable clutter with its back cover attachment.



[www.fsnmed.com](http://www.fsnmed.com)

Foreseeson Custom Displays, Inc.  
2210 E. Winston Road  
Anaheim, CA 92806 USA  
Tel: 714-300-0540  
Fax: 714-300-0546

Latin America  
Aventura, FL 33180 USA  
Tel: 714-507-3855

Foreseeson Korea  
404B, PangyoInnovalley B  
253 Pangyo-ro  
Bundang-gu Seongnam-si  
Gyeonggi-do, Korea 463-400  
Tel: +82-31-8018-0780  
Fax: +82-31-8018-0786

Foreseeson GmbH  
Industriestrasse 38a  
63150 Heusenstamm, Germany  
Tel: +49 6104 64398 0  
Fax: +49 6104 64398 11

Foreseeson UK Ltd.  
1 Wolsey Road  
East Molesey  
Surrey  
KT8 9EL  
United Kingdom  
Tel: +44 (0) 208 546 1047

Foreseeson (Shanghai)  
Medical Equipment Co., Ltd.  
Room 307, 3F  
No. 56, 461 Hongcao Road  
Caohejing Development District  
Xuhui, Shanghai 200233  
Tel: 86-21-6113-4188

# 32" High-Bright Medical Display

## FS-L3202D

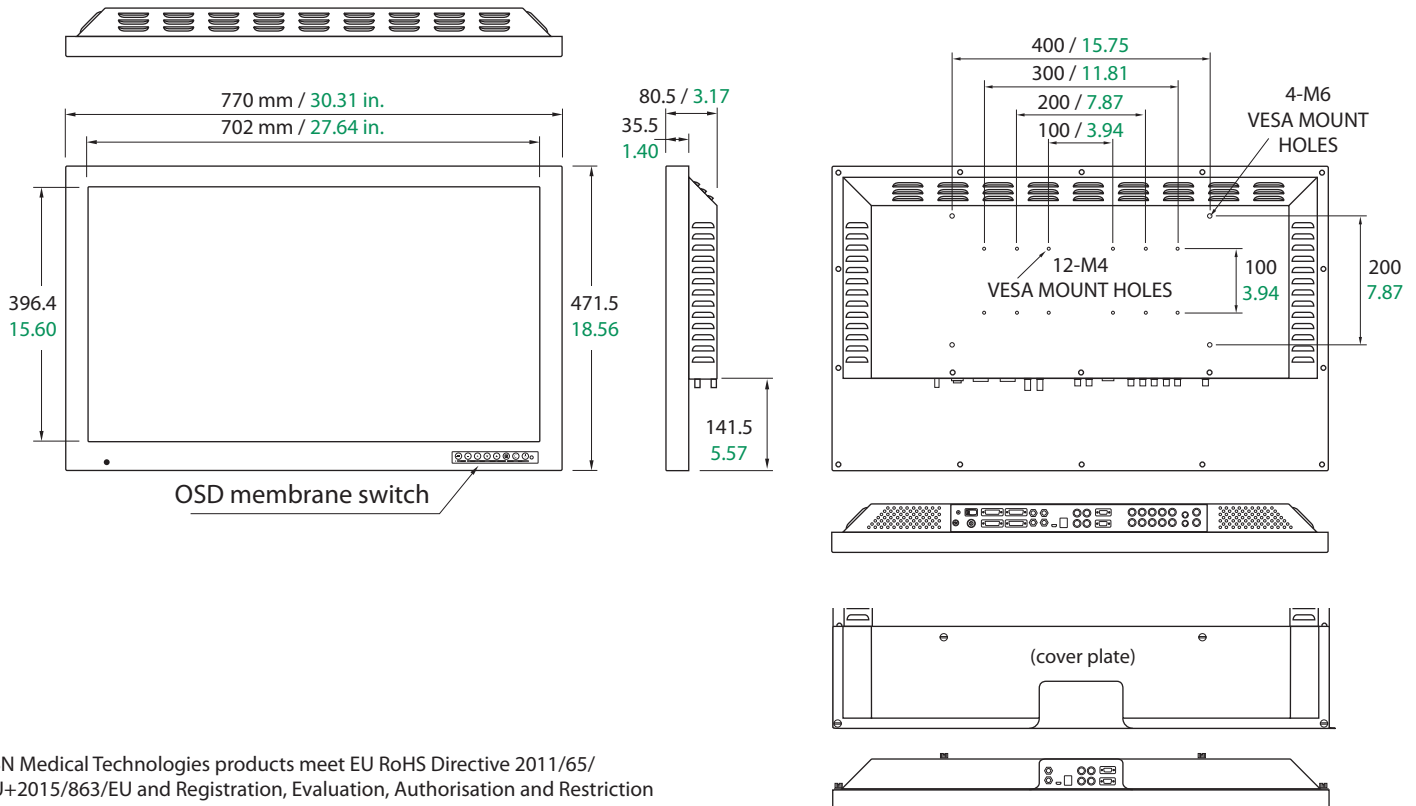


## Specifications

### General Features

Item	Description
Panel	32 inch TFT LCD (LED)
Resolution	1920 x 1080 pixel
Aspect Ratio	16 : 9
Active Area	698.4(H)mm x 392.9(V)mm
Pixel Pitch (mm)	0.36375 x 0.36375
Response Time (typical)	25 ms (gray to gray)
Number of Colors	16.7 Million
Brightness (typical)	450 cd/m <sup>2</sup>
Contrast Ratio (typical)	1300 : 1
Surface Treatment	Anti-glare
Viewing Angle (CR>10)	R/L 178°, U/D 178°
Input Signal	2 x DVI-D
	2 x SD/HD/3G-SDI (BNC)
	2 x SOG
	1 x VGA (D-sub)
	1 x C-Video (BNC)
	1 x S-Video (DIN)
Output Signal	1 x Component (RGBS, YPbPr) (5 x BNC)
	2 x DVI-D
	2 x SD/HD/3G-SDI (BNC)
	2 x SOG
	1 x S-Video (DIN)
Power Supply	1 x Component (RGBS, YPbPr) (5 x BNC)
	AC/DC Adaptor (AC 100-240V~, DC 24V 6.25A)
	75W max.
	User manual, AC-DC adaptor, AC power cord, DVI-D cable, BNC cable, Remote control, Screw BH M4 x 14
	770(W) x 471.5(H) x 80.5(D) mm 30.31(W) x 18.56(H) x 3.17(D) inch
Package Dimension	911.35(W) x 742.95(H) x 234.95(D) mm 35.88(W) x 29.25(H) x 9.25(D) inch
	IP30 - overall, IP31 - front side only
IK Rating	IK05 with 5H AR glass
Weight	13.18 kg, 29.06 lbs. (monitor with cover)
	19.14 kg, 42.2 lbs. (shipping package)
Certifications	ANSI/AAMI ES60601-1 (UL60601-1), CAN/CSA C22.2 No. 60601-1, FCC Class B, EN60601-1, EN60601-1-2, CE, MDR(EU) 2017/745 Class I Medical Device

Item	Description
Output Signal	2 x DVI-D
	2 x SD/HD/3G-SDI (BNC)
	2 x SOG
	1 x C-Video (BNC)
	1 x S-Video (DIN)
Power Supply	1 x Component (RGBS, YPbPr) (5 x BNC)
	AC/DC Adaptor (AC 100-240V~, DC 24V 6.25A)
	75W max.
	User manual, AC-DC adaptor, AC power cord, DVI-D cable, BNC cable, Remote control, Screw BH M4 x 14
	770(W) x 471.5(H) x 80.5(D) mm 30.31(W) x 18.56(H) x 3.17(D) inch
Package Dimension	911.35(W) x 742.95(H) x 234.95(D) mm 35.88(W) x 29.25(H) x 9.25(D) inch
	IP30 - overall, IP31 - front side only
IK Rating	IK05 with 5H AR glass
Weight	13.18 kg, 29.06 lbs. (monitor with cover)
	19.14 kg, 42.2 lbs. (shipping package)
Certifications	ANSI/AAMI ES60601-1 (UL60601-1), CAN/CSA C22.2 No. 60601-1, FCC Class B, EN60601-1, EN60601-1-2, CE, MDR(EU) 2017/745 Class I Medical Device



FSN Medical Technologies products meet EU RoHS Directive 2011/65/EU+2015/863/EU and Registration, Evaluation, Authorisation and Restriction of Chemicals (REACH) obligations. FSN manages the information flow as required by regulations.

Specifications are subject to change with or without notice. Doc.# FSN1955 Rev. 11/21

[www.fsnmed.com](http://www.fsnmed.com)

Foreseeson Custom Displays, Inc.  
2210 E. Winston Road  
Anaheim, CA 92806 USA  
Tel: 714-300-0540  
Fax: 714-300-0546

Latin America  
Aventura, FL 33180 USA  
Tel: 714-507-3855

Foreseeson Korea  
404B, PangyoInnovalley B  
253 Pangyo-ro  
Bundang-gu Seongnam-si  
Gyeonggi-do, Korea 463-400  
Tel: +82-31-8018-0780  
Fax: +82-31-8018-0786

Foreseeson GmbH  
Industriestrasse 38a  
63150 Heusenstamm, Germany  
Tel: +49 6104 64398 0  
Fax: +49 6104 64398 11

Foreseeson UK Ltd.  
1 Wolsey Road  
East Molesley  
Surrey  
KT8 9EL  
United Kingdom  
Tel: +44 (0) 208 546 1047

Foreseeson (Shanghai)  
Medical Equipment Co., Ltd.  
Room 307, 3F  
No. 56, 461 Hongcao Road  
Caohejing Development District  
Xuhui, Shanghai 200233  
Tel: 86-21-6113-4188