

# RALLY ROM HINGED KNEE

## (WRAP)

**EZYWRAP** designed the Rally ROM Hinged Knee (Wrap) to be fully adjustable, exceedingly comfortable, and of remarkably high quality. We use a breathable non-neoprene material that keeps the patient cool and comfortable with anti-migration elements to minimize slippage during use. All while being designed with anterior closure for a tailored compressive fit.

The Rally ROM has toolless stops for easy adjustment and removable hinges for maintenance and patient cleaning. Our hinges are customizable and allow for positioning with drop-lock options in increments of 15 degrees for adjustments by an individual with expertise or directly off-the-shelf.

Approved **PDAC** L1832, L1833



### INDICATIONS FOR USE:

- Knee Ligament Injuries
- Meniscus Injuries
- Knee Sprains and Strains
- High Tibial Osteotomy

### \*|FirstIce<sup>®</sup> FEATURES:

- Patented technology that contours to the body and lasts 5x longer than gel.
- Direct Stick™ global placement eliminates the need for pockets.
- Permanently bonded antimicrobial eliminates odor for the life of the product.

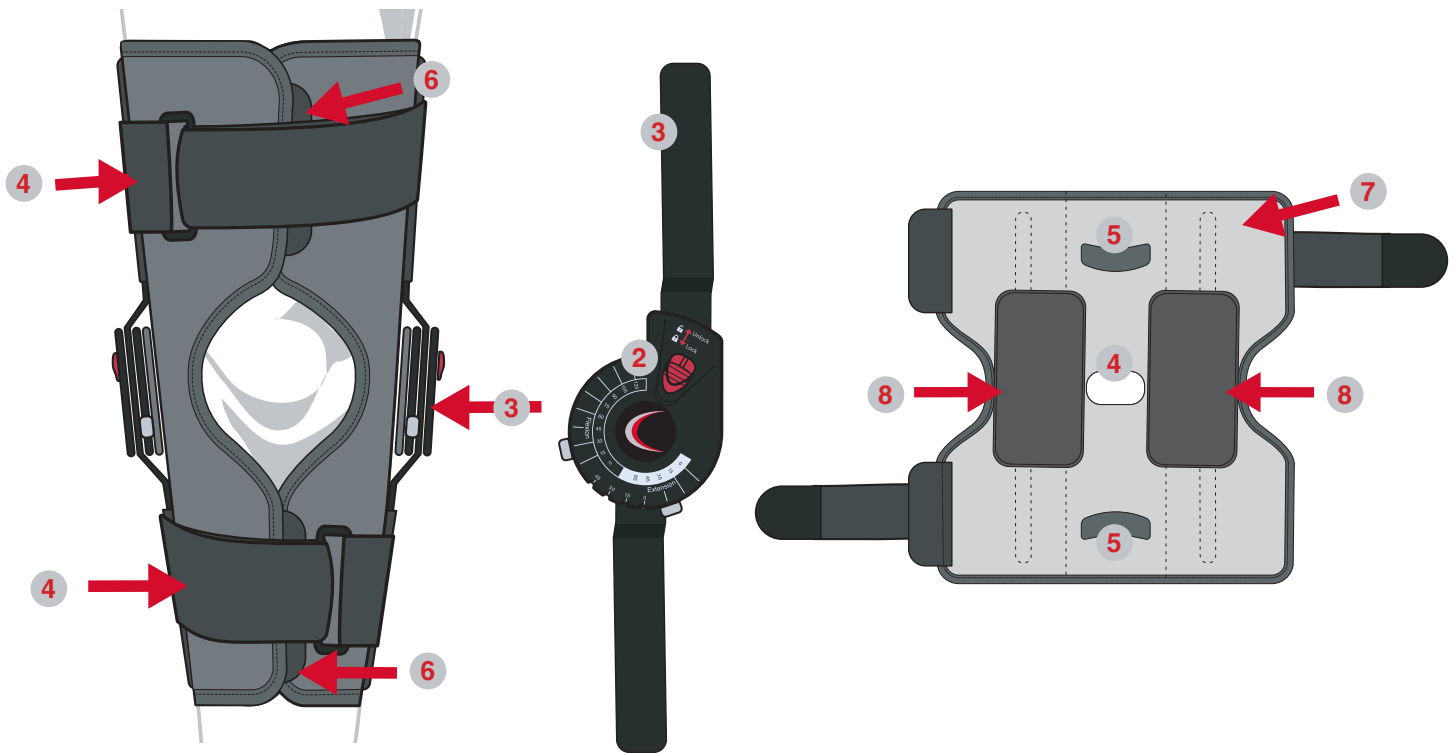


**P:** (800) 234-9004  
**F:** (800) 274-9006  
**E:** SALES@EZYWRAP.COM  
**W:** EZYWRAP.COM

FOR THE USE OF:  
CODE:

MADE IN THE USA     

# FEATURES & BENEFITS



1. Toolless Range of Motion Hinges for easy custom hinge settings
2. Includes drop-lock for locked extension from 0° to 45° in 15° increments
3. Removable hinges for ease of maintenance and cleaning
4. Open popliteal and removable straps

5. Anti-migration elements to ensure effective support
6. Anterior closure for tailored compressive fit
7. Soft and breathable non-neoprene hypoallergenic material
8. Direct Stick™ Cold Therapy application directly to the brace interior

## PRODUCT ORDERING

Product Name	Ref No.
Rally ROM Hinged Knee (Wrap) – Short	521-XX
Rally ROM Hinged Knee (Wrap) – Long	522-XX

## OPTIONAL COLD THERAPY ACCESSORIES

Product Name	Size	Model No.
Firstlce® Direct Stick™ Cold Therapy Pack	06 x 07"	101-0607
	06 x 10"	101-0610
	06 x 12"	101-0612

**Note:** Multiple Firstlce® Direct Stick™ Packs may require increasing the brace size

## PRODUCT SIZING

Measure circumference of leg 6" above mid-patella with leg fully extended

Size	XX	Min	Max
XS	10	12" 31cm	16" 41cm
S	20	15" 39cm	18" 46cm
M	30	17" 44cm	20" 51cm
L	40	20" 51cm	23" 59cm
XL	50	23" 59cm	26" 66cm
XXL	60	26" 66cm	29" 74cm
XXXL	70	29" 74cm	32" 81cm

R&ID# \*284602\*  
REV A 4/22

FOR THE USE OF:  
CODE:

MADE IN THE USA



FOR ORDERING:

P: (800) 234-9004

F: (800) 274-9006

E: SALES@EZYWRAP.COM

W: EZYWRAP.COM

Scan for application  
and accessories.

