

PRODUCT SIZING

Ref No. 511 & 512-XX

Measure circumference of leg 6" above mid-patella with leg fully extended

Size	XX	Min		Max	
XS	10	12"	31cm	16"	41cm
S	20	15"	39cm	18"	46cm
M	30	17"	44cm	20"	51cm
L	40	20"	51cm	23"	59cm
XL	50	23"	59cm	26"	66cm
XXL	60	26"	66cm	29"	74cm
XXXL	70	29"	74cm	32"	81cm

RALLY HINGED KNEE (WRAP)

INDICATIONS:

Patient Population: Adults and Children with identified indications

- Post-operative Rehabilitation
- Knee Ligament Injuries
- Meniscus Injuries
- Knee Sprains and Strains

WARNING: This product is intended for single patient use at the direction of a medical professional and will not prevent or reduce the risk of injury. Do Not Over Tighten. If you experience a sudden increase in pain, numbness, or unusual activity with this device, discontinue use immediately and consult your healthcare provider.

CARE: Hand wash using a mild detergent. Rinse thoroughly. Air Dry only. Do not tumble dry.

© 2021 Professional Products, Inc.
www.ezywrap.com
Made in the USA

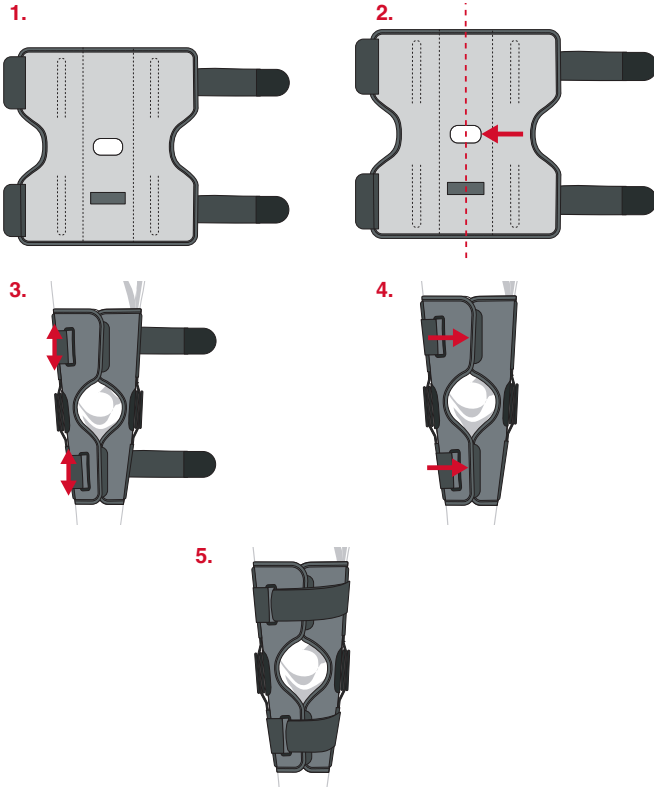
R&ID# *283033*



REV A 9/21

54 Hugh Adams Rd., Defuniak Springs, FL 32435
National: (800) 234-9004
International: (850) 892-5731
Fax: (800) 274-9006





1. Loosen all straps.
2. Center brace on back of leg.
3. Fix removable straps in desired location.
4. Secure upper flap closure, then lower flap closure.
5. Secure upper strap, then lower strap through link.

Customization

6. See additional instructions for hinge customization.

*Scan for application
and accessories.*

