

COMPRESSION KNEE IMMOBILIZER

EZYWRAP designed the Compression Knee Immobilizer to be the best in class and original universal compression knee immobilizer. The Compression Knee Immobilizer includes a trimmable patella opening with moldable stays allowing for tailored care. All while being easy to apply and comfortable to wear, directly off-the-shelf.

Our knee immobilizer is FirstIce® Cold Therapy ready with patented Direct Stick™ Packs as an optional accessory. Our patented Cold Therapy provides up to 4 hours of continuous cold to help patients mitigate pain and **recover quicker**.

Approved **PDAC** **L1830**



INDICATIONS FOR USE:

- Post-operative rehabilitation
- Knee ligament injuries

*|FirstIce® FEATURES:

- Patented technology that lasts five times longer than gel.
- Direct Stick™ packs eliminate the need for pockets.
- Non-toxic, soft and malleable to conform to the body.



© 2021 PROFESSIONAL PRODUCTS INC.

FOR ORDERING:

P: (800) 234-9004

F: (800) 274-9006

E: SALES@EZYWRAP.COM

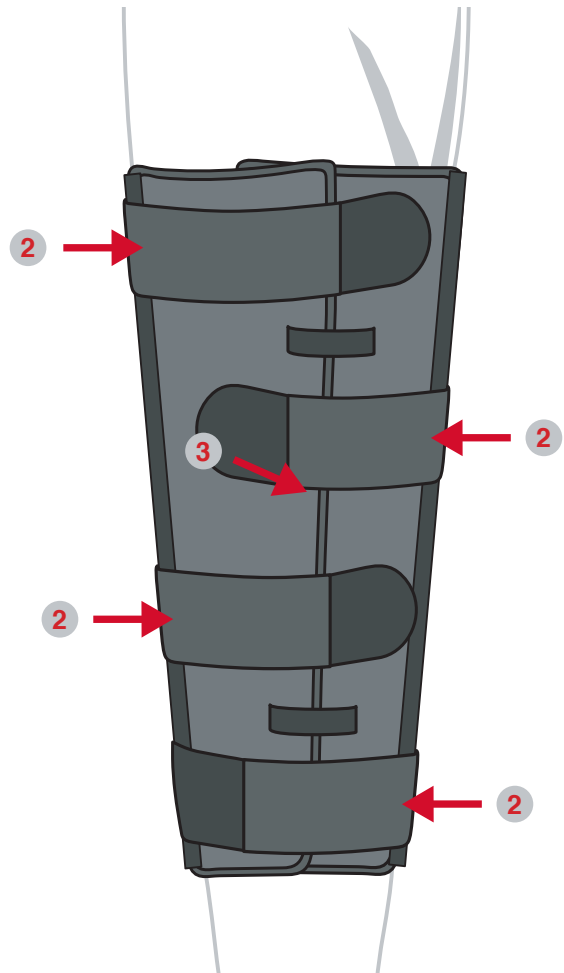
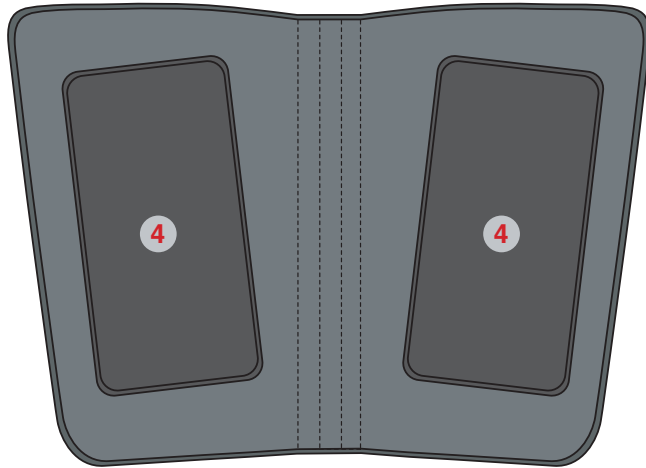
W: EZYWRAP.COM

FOR THE USE OF:

CODE:

MADE IN THE USA     

FEATURES & BENEFITS



1. Universal dexterity and sizing for optimized inventory.
2. Elasticized hook-and-loop compatible strapping for compression, security and fit.
3. Trimmable and adjustable for tailored practitioner care.
4. Easy Application and Cold Therapy Ready.

Note: Foam model is not cold therapy ready.

PRODUCT ORDERING

Product Name	Ref No.
Compression Knee Immobilizer (Foam)	1258-XXYY
Compression Knee Immobilizer	1259-XXYY

OPTIONAL COLD THERAPY ACCESSORIES

Product Name	Size	Ref No.
FirstIce® Direct Stick™ Cold Therapy Pack	06 x 07"	100-0607
	06 x 10"	100-0610
	06 x 12"	100-0612
Patella Strap	Universal	120-00

Note: Foam model is not cold therapy ready

PRODUCT SIZING

Measure leg circumference 6" above mid patella

Length	YY	Max Universal	Max X-Circum
12" 30cm	12	20" 51cm	27" 86cm
14" 36cm	14	24" 61cm	31" 78cm
16" 41cm	16	28" 71cm	35" 89cm
18" 46cm	18	28" 71cm	36" 91cm
20" 51cm	20	28" 71cm	36" 91cm
22" 56cm	22	28" 71cm	36" 91cm
24" 61cm	24	28" 71cm	36" 91cm
26" 66cm	26	28" 71cm	36" 91cm
28" 71cm	28	28" 71cm	36" 91cm

Sizing Note: Specify XX as 00 for Universal or 50 for Extra Large Circumference

R&ID# *282597*
REV A 8/22

FOR THE USE OF:
CODE:

MADE IN THE USA



FOR ORDERING:

P: (800) 234-9004

F: (800) 274-9006

E: SALES@EZYWRAP.COM

W: EZYWRAP.COM

Scan for application and accessories.

