

PLATFORM HAND ORTHOSIS

EZYWRAP designed the Platform Hand Orthosis to allow for universal sizing and dexterity while offering maximum comfort. Our strap system is fully moveable, trimmable, and adjustable, allowing for customizable control for the practitioner and patient. The malleable stays allow for customization by an individual with expertise if required and provide excellent support and positioning of the hand, wrist, and fingers after injury or postoperatively.

The Platform Hand Orthosis is FirstIce® Cold Therapy ready with our patented Direct Stick™ Packs as an optional accessory. Our specially formulated Cold Therapy provides up to 4 hours of continuous cold to help you mitigate pain and recover quicker.

Approved **PDAC** L3807 & 3809



INDICATIONS FOR USE:

- Carpal Tunnel Syndrome
- Finger Contractures
- Wrist Sprains / Strains

* | FirstIce® FEATURES:

- Patented technology that lasts five times longer than gel.
- Direct Stick™ packs eliminate the need for pockets.
- Non-toxic, soft and malleable to conform to the body.

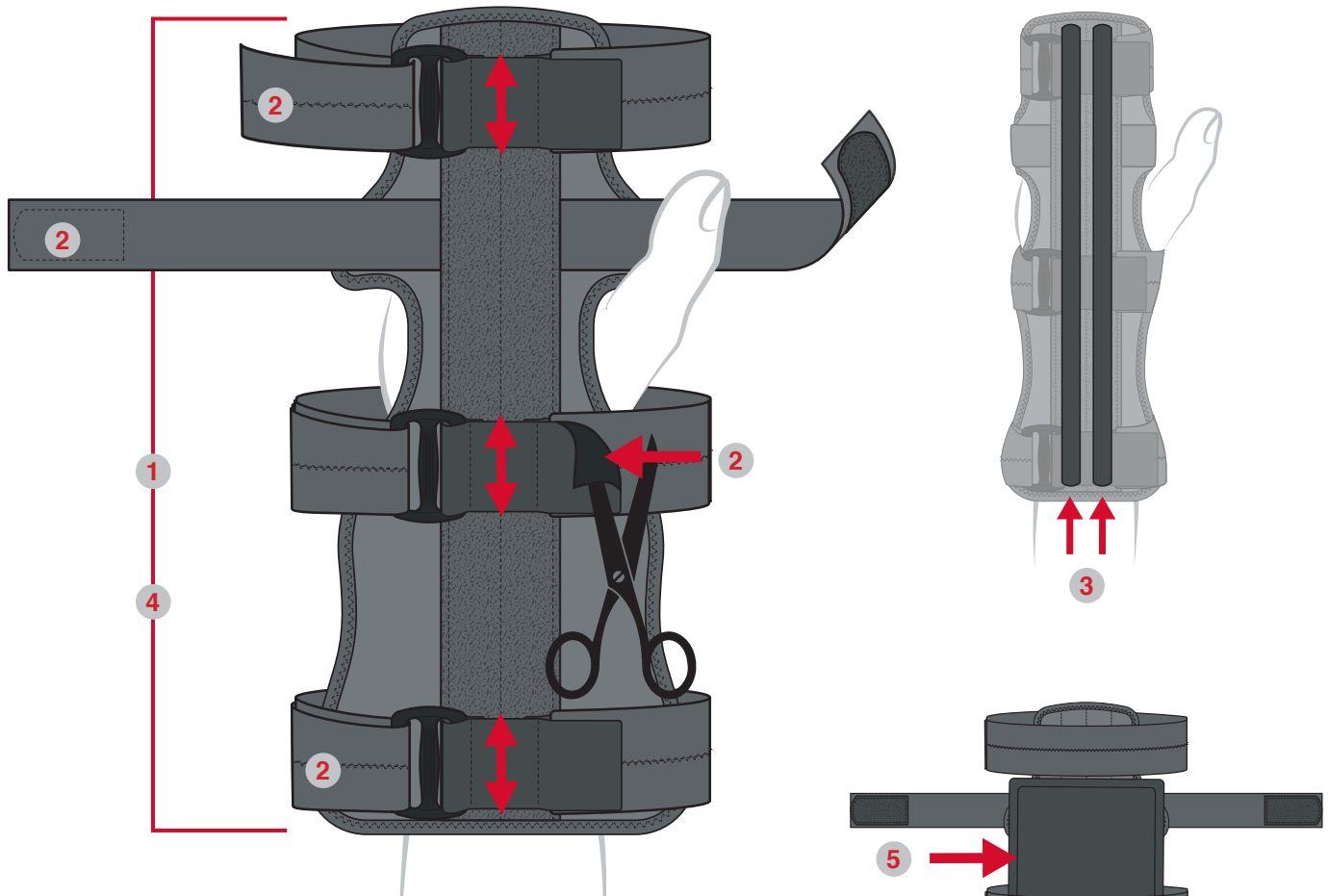


P: (800) 234-9004
F: (800) 274-9006
E: SALES@EZYWRAP.COM
W: EZYWRAP.COM

FOR THE USE OF:
CODE:

MADE IN THE USA     

FEATURES & BENEFITS



1. Universal sizing and dexterity to minimize inventory requirements.
2. Fully customizable/trimmable straps for a comfortable and controlled recovery.
3. Embedded bendable aluminum stays for strong and customizable support.
4. Breathable composite UBL / polyurethane foam.
5. Optional Cold Therapy using patented Direct Stick™ for integrated pain relief.

PRODUCT ORDERING

Product Name	Size	Ref No.
Platform Hand Orthosis	Universal	1105-00

OPTIONAL COLD THERAPY ACCESSORIES

Product Name	Size	Ref No.
FirstIce® Direct Stick™ Cold Therapy Pack	6 x 7"	100-0607

R&ID# *282467*
REV A 4/21

FOR THE USE OF:
CODE:

MADE IN THE USA     

FOR ORDERING:

P: (800) 234-9004

F: (800) 274-9006

E: SALES@EZWRAP.COM

W: EZYWRAP.COM

*Scan for application
and accessories.*

