

HINGED DONUT PATELLA STABILIZER

ezyWRAP® designed our Hinged Donut Patella Stabilizer to be a fully adjustable hinged knee orthosis that is exceedingly comfortable and of remarkably high quality. The silicone donut patellar pad is hook-and-loop compatible and repositionable to customize for a patient's anatomy. We use a breathable non-neoprene material that keeps the patient cool and with anti-migration elements to minimize slippage during extended use.

Our Knee Orthosis has hidden, dual-axis hinges that are bendable and shapable to facilitate fitting and adjustment. The hinges include condyle pads for patient comfort and support. Additionally, the hinges are removable for ease of maintenance and patient cleaning. All while being designed to be Pull-Up for active applications.

Approved

PDAC

L1820



INDICATIONS FOR USE:

- Chondromalacia
- Patellofemoral Malalignment
- Patella Subluxation
- Acute Patella Injuries (patella dislocation and patellar tendon rupture)
- Chronic Patella Conditions (patellar tendinopathy, patellar instability, and patellar tracking disorder)

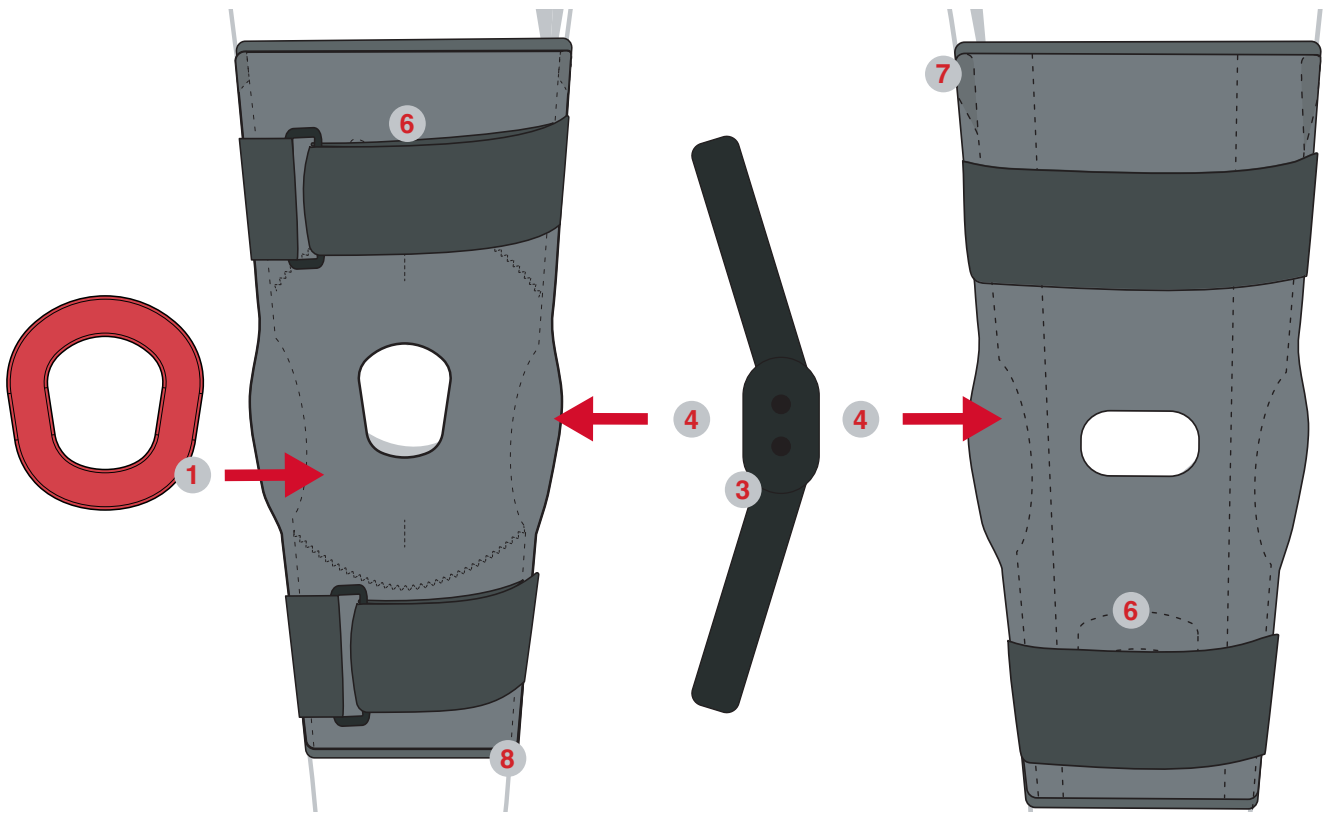


P: (800) 234-9004
F: (800) 274-9006
E: SALES@EZYWRAP.COM
W: EZYWRAP.COM

FOR THE USE OF:
CODE:

MADE IN THE USA   

FEATURES & BENEFITS



1. Repositionable hook-and-loop compatible silicone donut patellar buttress for customizable support
2. Soft and breathable materials for compression and comfort
3. Dual Axis hinges for stabilization
4. Condyle pads on the inside of the brace
5. Removable hinges for ease of maintenance and cleaning
6. Anti-migration elements to minimize slippage
7. Low-profile pull-up pockets
8. Non-neoprene hypoallergenic material with soft edges for user comfort

PRODUCT SIZING

Measure circumference of leg 6" above mid-patella with leg fully extended

Size	XX	Min	Max
XS	10	12" 31cm	16" 41cm
S	20	15" 39cm	18" 46cm
M	30	17" 44cm	20" 51cm
L	40	20" 51cm	23" 59cm
XL	50	23" 59cm	26" 66cm
XXL	60	26" 66cm	29" 74cm
XXXL	70	29" 74cm	32" 81cm

PRODUCT ORDERING

Product Name	Ref No.
Hinged Donut Patella Stabilizer	570-XX

R&ID# *285852*
REV B 3/23

FOR THE USE OF:
CODE:

MADE IN THE USA   

FOR ORDERING:

P: (800) 234-9004

F: (800) 274-9006

E: SALES@EZYWRAP.COM

W: EZYWRAP.COM

Scan for application
and accessories.

