

CONDYLAR HINGED KNEE

(PULL-UP)

EZYWRAP® designed the Condylar Hinged Knee to be fully adjustable, exceedingly comfortable, and highly durable for active individuals. We use a breathable hypoallergenic non-neoprene material that keeps the patient cool during exercise and comfortable with anti-migration elements to minimize slippage during extended use.

Our Knee Orthosis has hidden, dual-axis hinges that are bendable and shapable to facilitate fitting and adjustment. The hinges include condyle pads for patient comfort and support. Additionally, the hinges are removable for ease of maintenance and patient cleaning. All while being designed to be Pull-Up for active applications.

Approved

PDAC

L1820



INDICATIONS FOR USE:

- Knee Ligament Injuries
- Meniscus Injuries
- Knee Sprains and Strains



P: (800) 234-9004

F: (800) 274-9006

E: SALES@EZYWRAP.COM

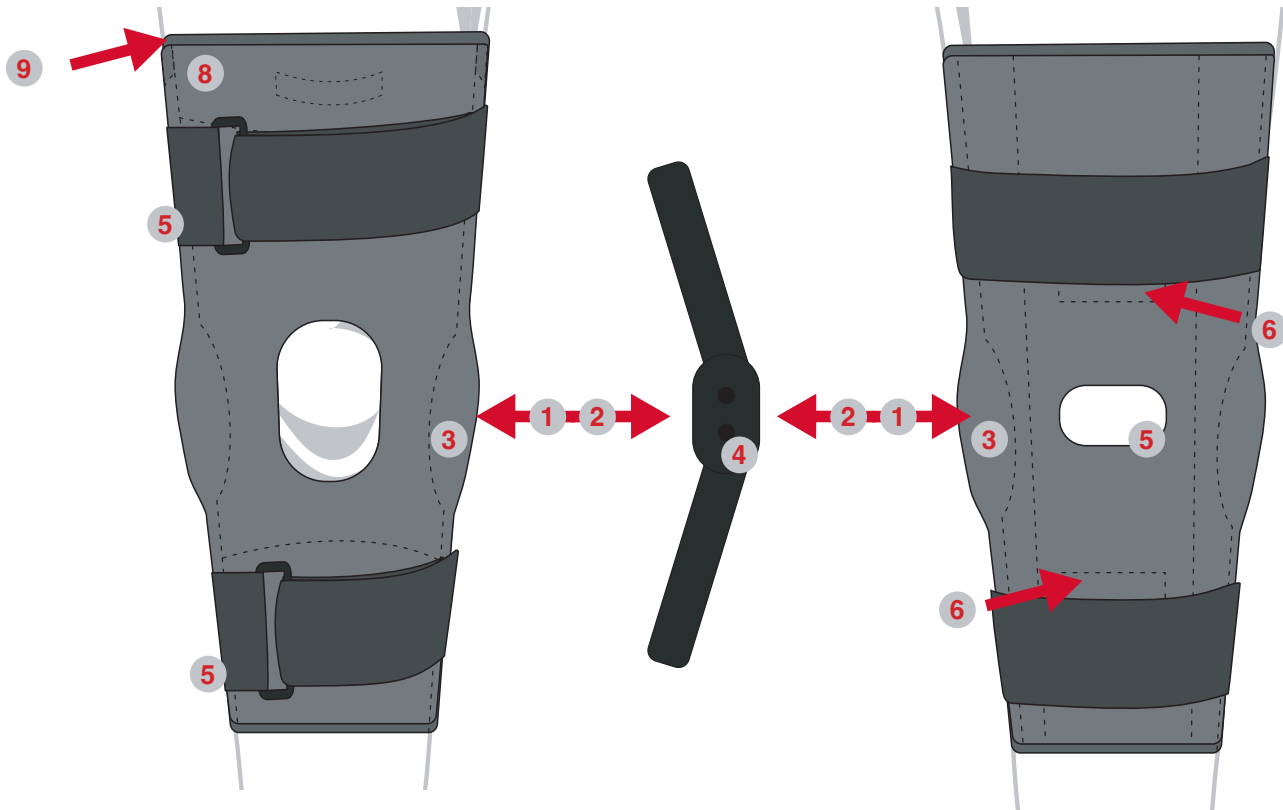
W: EZYWRAP.COM

FOR THE USE OF:
CODE:

MADE IN THE USA     

FEATURES & BENEFITS

507 Depicted



1. Shapable Dual Axis hinges for customization
2. Internal hinges for protection during activity
3. Condyle pads for support and comfort
4. Removable hinges for ease of maintenance and cleaning
5. Open popliteal and removable straps
6. Anti-migration elements to ensure effective support
7. Pull-Up design for active applications
8. Breathable non-neoprene hypoallergenic material
9. Soft edges for user comfort

PRODUCT SIZING

Measure circumference of leg 6" above mid-patella with leg fully extended

Size	XX	Min	Max
XS	10	12" 31cm	16" 41cm
S	20	15" 39cm	18" 46cm
M	30	17" 44cm	20" 51cm
L	40	20" 51cm	23" 59cm
XL	50	23" 59cm	26" 66cm
XXL	60	26" 66cm	29" 74cm
XXXL	70	29" 74cm	32" 81cm

PRODUCT ORDERING

Product Name	Ref No.
Condylar Hinged Knee (Pull-Up) – Short	507-XX
Condylar Hinged Knee (Pull-Up) – Long	508-XX

R&ID# *285961*
REV A 6/22

FOR THE USE OF:
CODE:

MADE IN THE USA     

FOR ORDERING:

P: (800) 234-9004

F: (800) 274-9006

E: SALES@EZWRAP.COM

W: EZYWRAP.COM

Scan for application
and accessories.

