

A decorative graphic consisting of several overlapping, wavy red lines that flow from the top left towards the right side of the page. The lines vary in opacity and thickness, creating a sense of motion and depth.

Motion**Grey**

ICBOX10 User's Manual

A solid red wavy shape at the bottom of the page, mirroring the style of the graphic at the top, but without the overlapping lines.

Contents

1. Introduction	- 3 -
2. Function Overview	- 3 -
2.1 Function.....	- 4 -
2.2 Technical Specifications	- 5 -
3. Dimensions.....	- 6 -
4. Connection Diagram.....	- 7 -
5. Definition of Keys and Display Help.....	- 7 -
6. Operations	- 10 -
7. Precautions for Use	- 11 -
8. Customer Service	- 13 -

Safety Precautions



- If the product is damaged or missing parts, please do not install to run. Otherwise, it may cause damage to the equipment or personal injury.
- Be aware that the control box can only be connected to the voltage indicated on the label.
- Non-professionals are not allowed to disassemble this product to prevent electric hazards.

1.Introduction

The ICBOX10 intelligent office controller includes PST series s intelligent control box and PS series control panel. The PST series control box is a kind of electric control system which combined with PS series panel together designed for realizing the up and down functions of the adjustable desk. It enjoys many advantages such as low energy consumption, height display, three position settings, inch/centimeter switching and language conversion, etc. It can realize the soft start and stop of the connected columns to ensure the smooth running of the adjustable desk. The control box is small, compact and intuitive. It has plugs for connection of legs and the hand control panel in each end of the box. And it is equipped with cable slots at the bottom making it easy to lead and hide motor cables from one side to another side to connect with motor.

2. Function Overview

2.1 Function

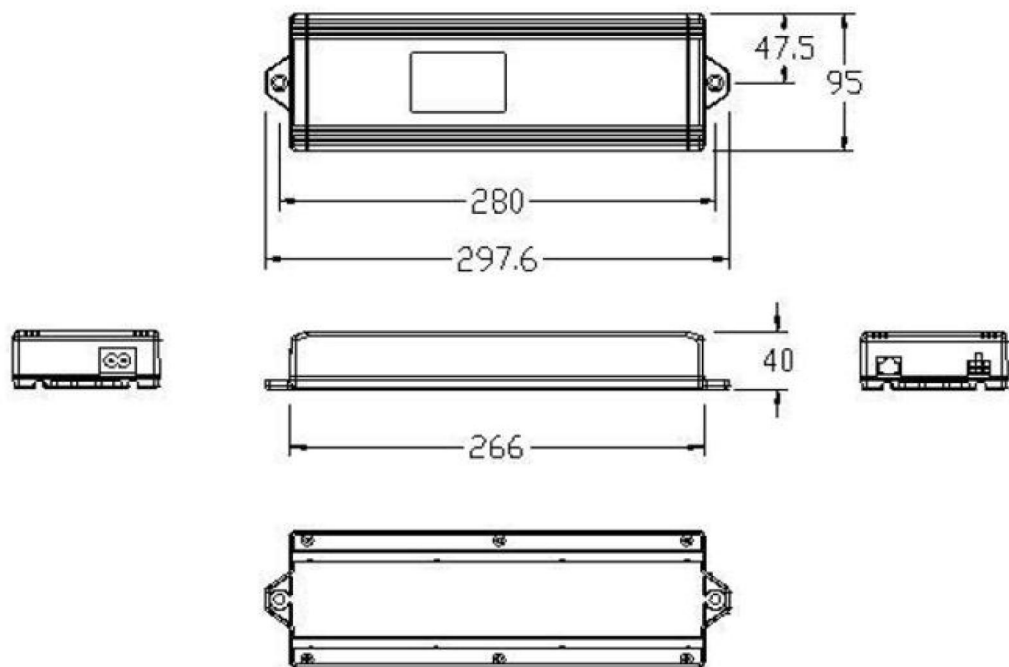
Function	<ol style="list-style-type: none"> 1. 3 memory positions 2. Anti-collision Stop 3. Reset function 4. Display the Lifting Height with White LED 5. Prevent pressing keys frequently to protect the system 6. Height display unit can be switched 7. Location power-down memory 8. Slow start, slow stop 9. Base height setting 10. Lifting height range setting 11. Automatically enter standby mode after stop working 60 S
Protection Measure	<p>Overheating Protection included</p> <p>Over-current Protection included</p> <p>Tilt protection</p>
Low Consumption	<p>0.1 W in standby mode</p>

2.2 Technical Specifications

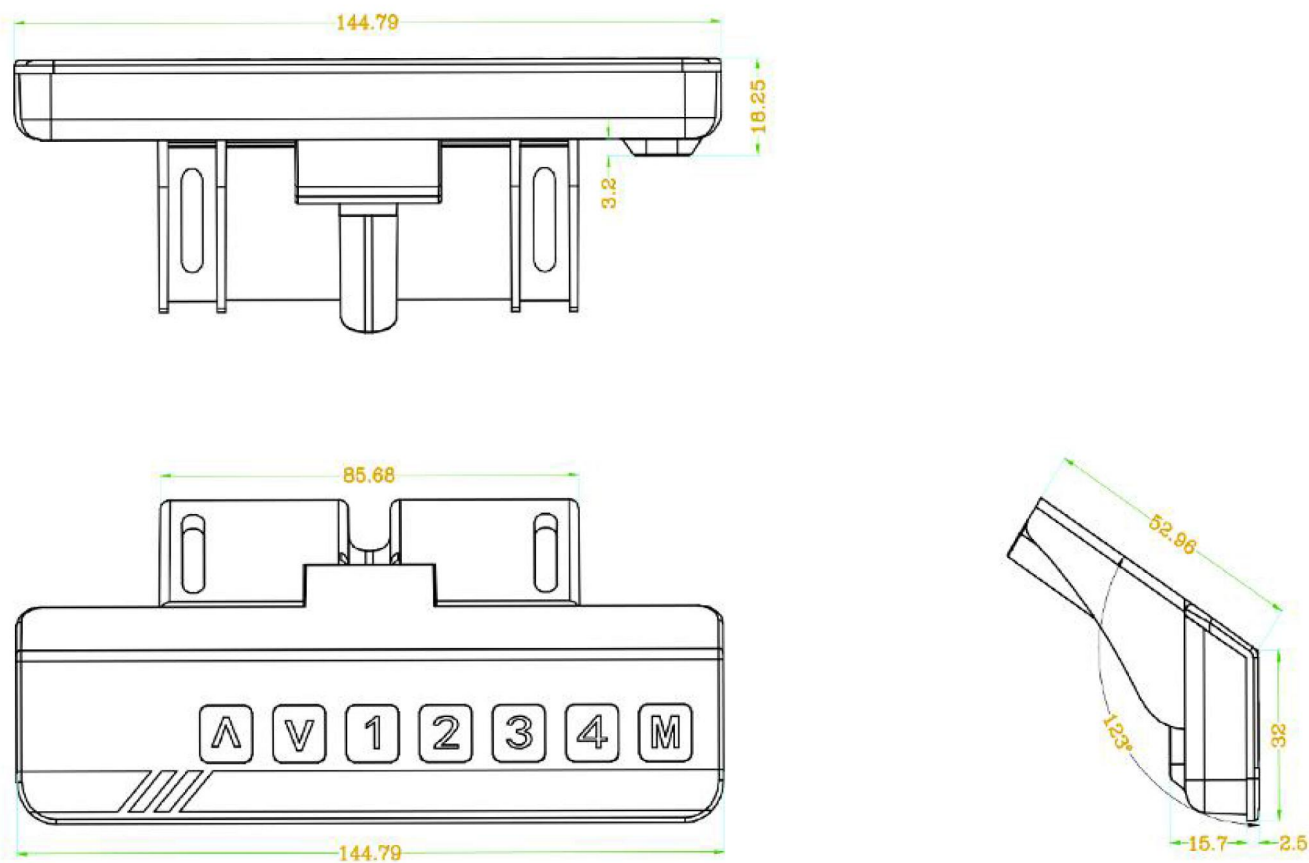
Input	100-240 VAC, 50/60Hz, Max 3A
Output	PST01-1: Max 32 VDC, 4.5A PST01-2: Max 32 VDC, 7.0A
Number of Actuators	PST01-1 Control box supports 1 motors PST01-2 Control box supports 2 motors
Duty Cycle	Max 10%, 2 min on, 18 min off
Overload Protection	Quick-break
Standby Power	0.1 W
Certification	CE
Operating Ambient Temperature	-20° C ~50° C
Color	Black

3. Dimensions (mm)

Control Box:

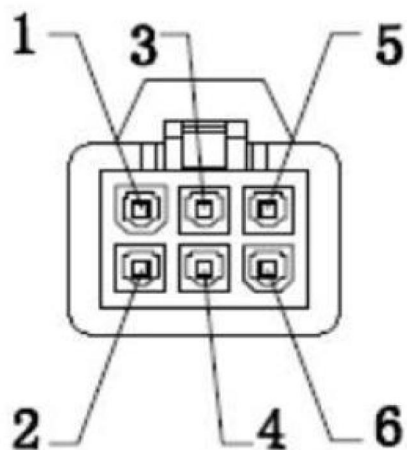


Hand control panel:

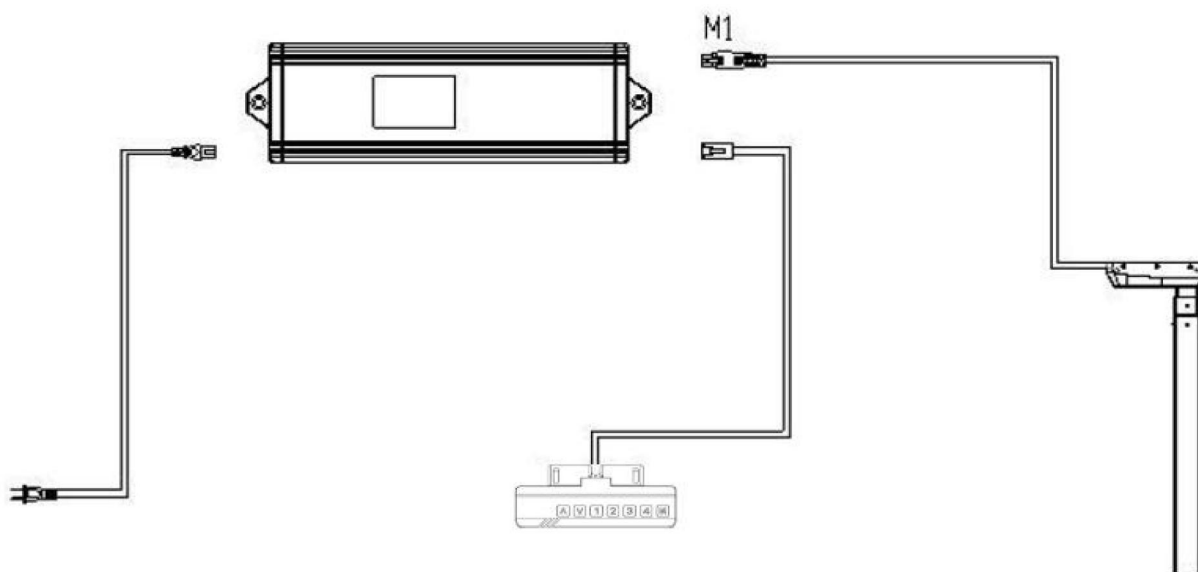


4. Connection Diagram

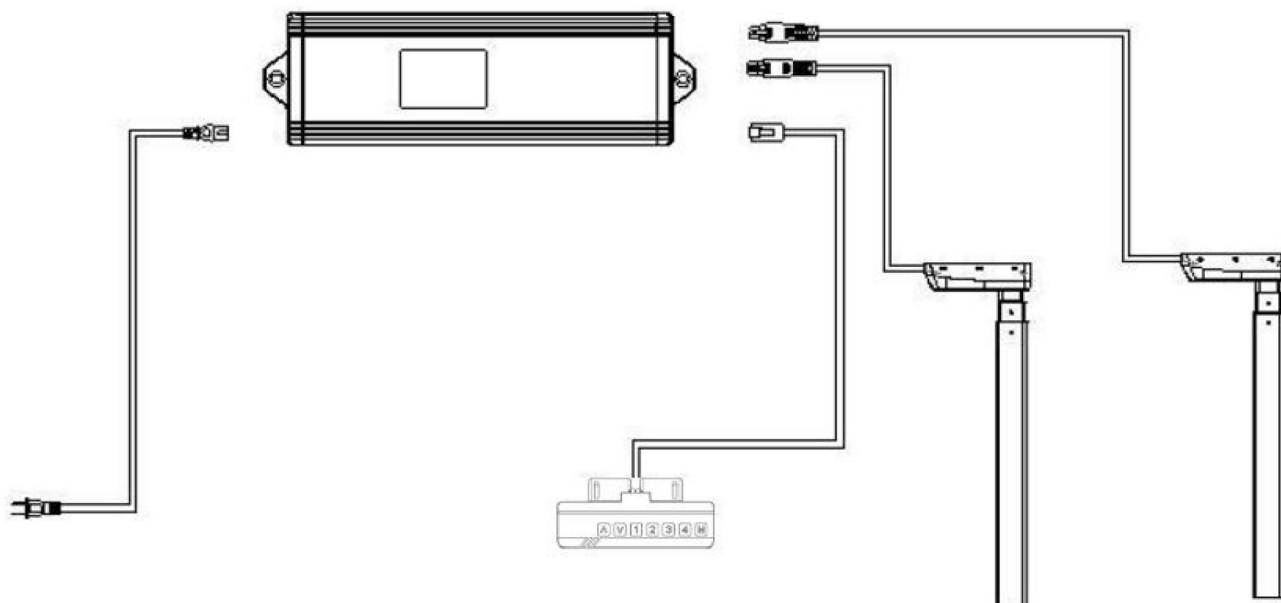
The motor cable is optional, and the definition of motor cable port as follow:



- 1.Motor power cord +
- 3.Motor power cord-
- 5. The power of Hall sensor +5V
- 4.The power of Hall sensor -
- 2.The output of Hall sensor 1
- 6.The output of Hall sensor 2

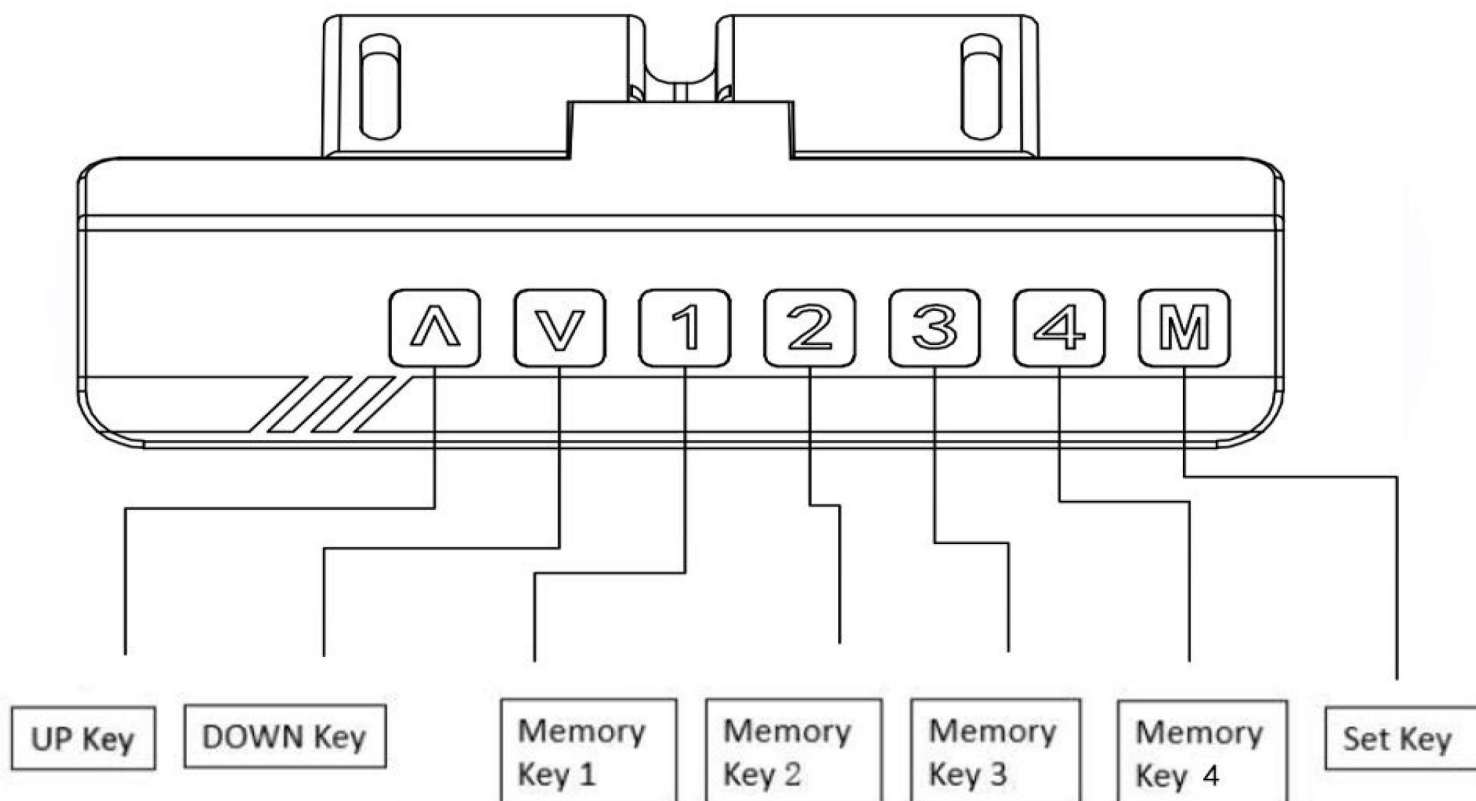


PST01-01 Connection Diagram



PST01-02 Connection Diagram

5. Definition of Keys and Display Help



Display Help

Display content	Description	Troubleshooting Help
Digit	The current height of the adjustable desk (unit:inch/cm)	The unit will be set before EX-factory.
E01	The fault of motor 1 Cause: The cable of motor 1 is not connected	<ol style="list-style-type: none"> 1. Check whether the cable of motor 1 is properly connected to the control box. 2. Check whether the cable of motor 1 is intact. 3. After troubleshooting, press any key to clear the error code to resume running(except M key)
E02	The fault of motor 2 Cause: The cable of motor 2 is not connected	<ol style="list-style-type: none"> 1. Check whether the cable of motor 2 is properly connected to the control box. 2. Check whether the cable of motor 2 is intact. 3. After troubleshooting, press any key to clear the error code to resume running(except M key)

<p>E04</p>	<p>Missing Hall signal of motor 1 Cause: The Hall cord of motor 1 is not connected</p>	<ol style="list-style-type: none"> 1. Check whether the Hall cord of motor 1 is properly connected to the control box. 2. Check whether the Hall cord of motor 1 is intact. 3. After troubleshooting, press any key to clear the error code to resume running(except M key)
<p>E05</p>	<p>Missing Hall signal of motor 2 Cause: The Hall cord of motor 2 is not connected</p>	<ol style="list-style-type: none"> 1. Check whether the Hall cord of motor 2 is properly connected to the control box. 2. Check whether the Hall cord of motor 2 is intact. 3. After troubleshooting, press any key to clear the error code to resume running(except M key)
<p>E07</p>	<p>Over-current of motor 1 Cause: Overload, Mechanical fault</p>	<p>Lighten the load to not exceeding the max load, or troubleshooting the mechanical problem. Then after 8 seconds, press any key to clear the error code to resume running(except M key)</p>

E08	<p>Over-current of motor 2 Cause: Overload, Mechanical fault</p>	<p>Lighten the load to not exceeding the max load, or troubleshooting the mechanical problem. Then after 8 seconds, press any key to clear the error code to resume running(except M key)</p>
E10	<p>The desk is unbalanced Cause: The two motors are running out of sync.</p>	<p>The desk must be reset and only the DOWN key works. Press the UP key and Down key for 5 seconds and hold it until the reset is completed. Then the error cord can be cleared.</p>
Hot	<p>Motors Overheating Cause: The system automatically detects the motor temperature and if the temperature is overheating, the motor pauses running.</p>	<p>Any key is invalid. When the motors resume running, the hand control will display the current height.</p>

6.Operations

- Press the UP key and the desk rises. Then release the key, and the desk stops moving
- Press the DOWN key and the desk goes down. Then release the key, desk stops moving.
- Reset: For the first time use or the desk is unbalanced or the LED

displays the wrong height data, it needs to be reset. Press the UP key and DOWN key for 5 seconds, until the desk bounce back the lowest height displayed by the hand control, then release the key and reset done.

■After the motor stops working for 60 seconds, the LED screen will go out automatically and enter standby mode. Then you can press any key (except M key) to resume running.

■How to store a position:

①Press the UP or DOWN key to move the desk to the height you want.

②Press M key, the display will flash for 5 seconds.

③Within these 5 seconds press one of the memory keys and the position will be stored.

④Use the same process to set up the other 2 memory positions. The 1, 2 and 3 keys on the hand control can store three different height position, and also can be used repeatedly. The height of the memory is still preserved in case of the power off.

⑤To recall your memory position: Press the memory key and hold it to reach your stored position, or press the memory key, then the desk will reach the stored position automatically.(The two modes can be set according to customer's requirements.)

During the running processing, press any keys can stop the desk.

■Lower limit setting

While holding down the **M** key and the **1** key, the digital tube blinks and displays the real-time height. Press the **UP** or **DOWN** key to adjust to the minimum height required. Press **S** to complete the setting.

■Upper limit operation

While holding down the **M** key and the **2** key, the digital tube blinks and displays the real-time height. Press the **UP** or **DOWN** key to adjust to the maximum height required. Press **M** to complete the setting.

■Base height setting

- ① Press the down key to move the desk to the minimum height.
- ② Press the down key 10 seconds to enter the basic height setting interface.
- ③ press the up or down key to adjust the value (press the **3** key to shift), after adjusting the parameters, press **1** key and **2** key to complete the setting .

■Height display unit switch

Press and hold the **M** key and the **3** key simultaneously to switch the display unit (cm & inch).

■Anti-collision sensitivity setting

Press **2&3** key for 5 seconds at the same time, digital tube will be flashing, then press **1** or **2** or **3** or **S** key, to set anti-collision sensitivity accordingly: high, medium, low and default.

7. Precautions for Use

- This product only apply to the adjustable desk, do not use for other purposes.
- Make sure that the control box, hand control, and power cord are intact before use. If there is any quality problem, please contact the manufacturer or agents to replace.
- Be aware that the control box can only be connected to the voltage indicated on the label.
- Do not use in places that are susceptible to corrosion or oxidation.
- Do not expose to sunlight or use in high temperature environment, for indoor use only.
- Non-professionals are not allowed to disassemble this product to prevent electric hazards.
- Any after-sales service is to be performed by manufacturer or an authorized service representative

8. Customer Service

Our company provide five years warranty service for this products. If the damage of this product is caused by non-human factors in the normal use within five years from the date of production, please contact the manufacturer or the agent for free warranty service with the warranty card, invoice or valid shopping voucher.

■ **Cautions:**

- ① When buying this product, please fill in the warranty card completely, correctly and truly.
- ② When buying this product, please ask for the purchase invoice or valid voucher.
- ③ Please keep the warranty card and purchase invoice or valid voucher.
- ④ Please keep all the accessories and data of your products. If you return or exchange goods, you need to return the whole set of products.
- ⑤ Please ensure that it do not affect the resale of the product when returning or exchanging goods.

■ **The following conditions are not covered by the warranty:**

- ① Over warranty period.
- ② No purchase invoice or valid voucher, no valid warranty card or fake and shoddy product.
- ③ Damage caused by the operating that unfollowed the instruction.
- ④ Damage caused by human factors, such as falling, flooding and crashing.
- ⑤ Damage caused by unauthorized dis-assembly and repair.
- ⑥ Damage caused by natural disasters such as force majeure.