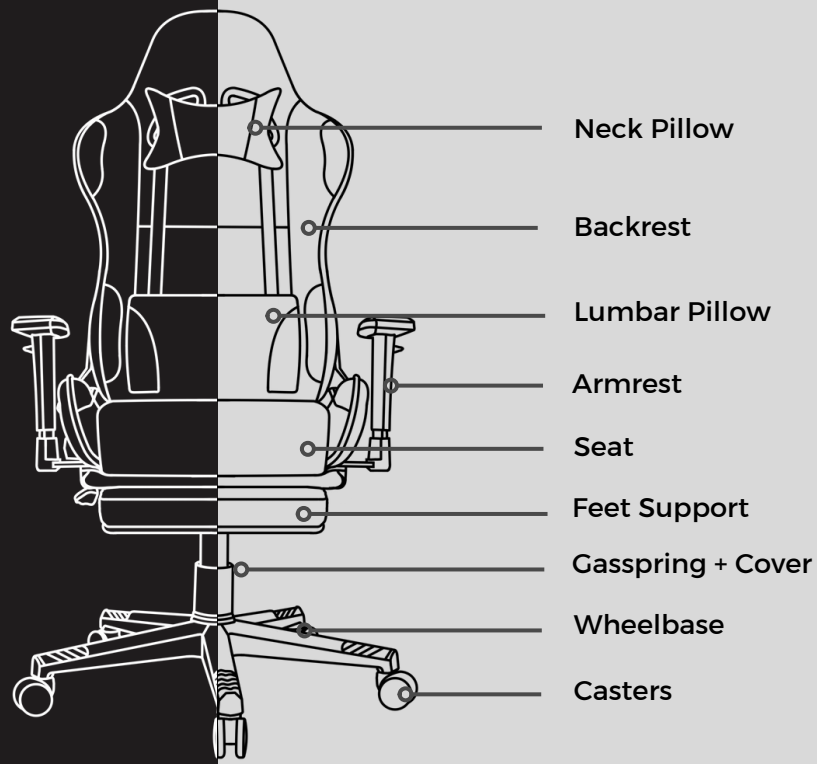




# WINNER X1 GAMING CHAIR

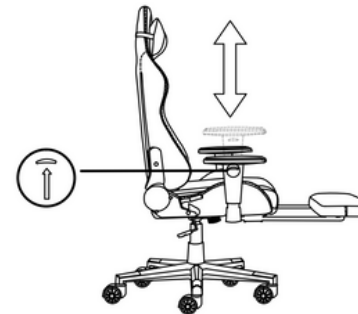
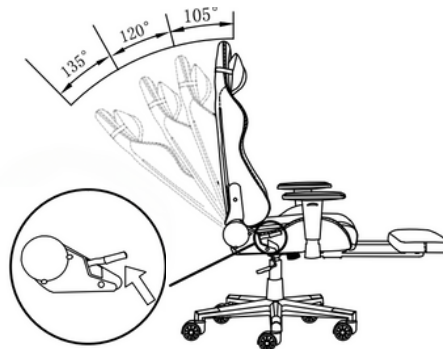
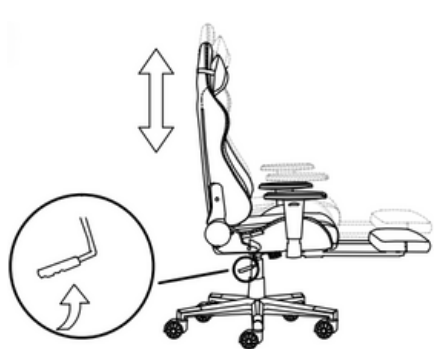
ASSEMBLY INSTRUCTION



EXTEND YOUR WARRANTY  
WITH 1 YEAR!

WRITE A REVIEW!

SCAN QR



## WARNING

- To adjust the chair height, gently pull the lever up. Do not use excessive force to pull the lever.
- When adjusting the height, inclination, position or balance of the chair or any of its components, please:
- Pay attention to your hand's position and keep it away from spaces in which it could get caught or be injured.
- Do not make fast or violent movements, when the chair is in movement) do not touch any of the chair's adjustment controls to prevent affecting its stability and causing a potentially dangerous fall.
- (when reclining the chair to its full extent) set the related control level in lock position and keep both feet on the ground, as well as abstain from any violent, rough or strong movement which could cause the chair to tip over.
- Keep in mind that this chair is designed only for sitting and reclining, and that it should be used only for those uses.
- Do not sit on the edge of the chair or the arm rests.
- Do not place the chair in a location in which it is likely to be subjected to prolonged sunlight exposure. The product's colors might fade when exposed to sunlight.
- Do not use abrasive products or scrub energetically when cleaning. Please stick to gentle products suitable for delicate materials.
- All parts should be checked monthly to confirm their integrity and to make sure that the screws are not loose.
- If any part of the product is or appears to be damaged, missing or loose, please contact the local distributor and do not use the product.
- Maximum stationary weight capacity 120kg. Please do not place any body or object above 120kg on this chair.

> Visit [www.gamehero.com](http://www.gamehero.com) for more information and instructions



GAME  
HERO

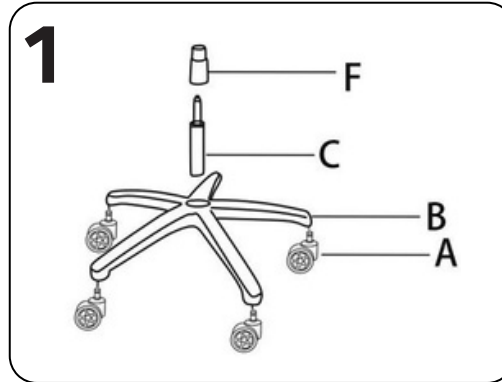
# WINNER X1 GAMING CHAIR ASSEMBLY INSTRUCTION

SCAN FOR  
DIGITAL  
INSTRUCTION

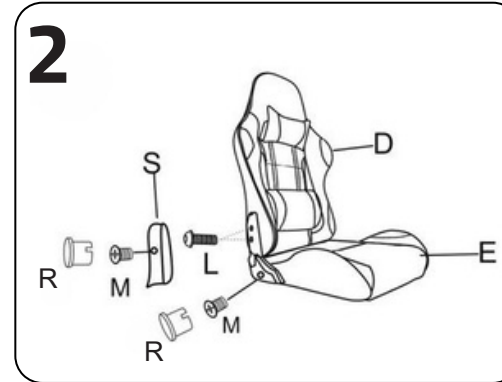


NOTE: SOME SCREWS AND PARTS ARE  
ALREADY PRE-MOUNTED TO THE CHAIR.

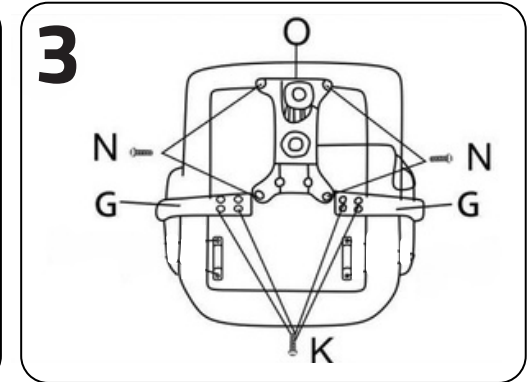
<b>Ax5</b> 	<b>Jx8</b> for footrest pillow 6X10MM		
<b>Bx1</b> 	<b>Kx8</b> for armrest 8X20MM		
<b>Cx1</b> 	<b>Lx4</b> for backrest 8X20MM		
<b>Dx1</b> 	<b>Mx4</b> for angle regulator cover 5X10MM		
<b>Ex1</b> 	<b>Nx4</b> for mec hanism 8X20MM		
<b>Fx1</b> 	<b>Ox1</b> 	<b>Px4</b> 	
<b>Gx2</b> 	<b>Hx1</b> 	<b>Qx1</b> 	<b>Rx4</b> 
<b>Ix1</b> 	<b>Sx2</b> 		



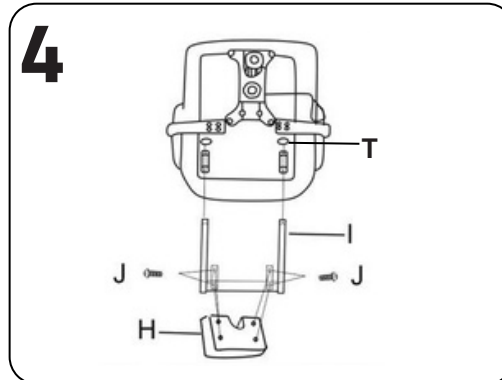
Attach all five casters (**A>B**). Place the gaslift inside the middle of the base (**C>B**). Place the cover over the gaslift (**F>C**).



Lay the seat flat and place backrest between seat mounts (**D>E**). Insert screws in the side-mounts of the backrest (**L>D**). Screw in the cover plates using the screws and caps (**M>R**).



Turn the chair. Place armrests (**G**) and mechanism (**O**), assemble with dedicated screws (**4\*K>G**)(**4\*N>O**).



Place the feet support in the dedicated mounts by removing the two rubber rings (**T**). Slide the the brackets (**I**) through the plastic mount and roll the rubber rings back on. Attach pillow to brackets if not already pre-mounted.



Turn chair. Place on top of the gaslift using the dedicated hole within the leaning mechanism.



Add lumbar support and neck pillow.

Great job gamer!

> Visit [www.gamehero.com](http://www.gamehero.com) for more information and instructions



# GAME HERO

EVOLVE YOUR GAMING EXPERIENCE

## OFFICE G3

### Ergonomic Office Chair

ASSEMBLY INSTRUCTION



## EXTEND YOUR WARRANTY WITH 1 YEAR!

### WRITE A REVIEW!

SCAN QR



### WARNING

- To adjust the chair height, gently pull the lever up. Do not use excessive force to pull the lever.
- When adjusting the height, inclination, position or balance of the chair or any of its components, please:
- Pay attention to your hand's position and keep it away from spaces in which it could get caught or be injured.
- Do not make fast or violent movements, when the chair is in movement) do not touch any of the chair's adjustment controls to prevent affecting its stability and causing a potentially dangerous fall.
- (when reclining the chair to its full extent) set the related control level in lock position and keep both feet on the ground, as well as abstain from any violent, rough or strong movement which could cause the chair to tip over.
- Keep in mind that this chair is designed only for sitting and reclining, and that it should be used only for those uses.
- Do not sit on the edge of the chair or the arm rests.
- Do not place the chair in a location in which it is likely to be subjected to prolonged sunlight exposure. The product's colors might fade when exposed to sunlight.
- Do not use abrasive products or scrub energetically when cleaning. Please stick to gentle products suitable for delicate materials.
- All parts should be checked monthly to confirm their integrity and to make sure that the screws are not loose.
- If any part of the product is or appears to be damaged, missing or loose, please contact the local distributor and do not use the product.
- Maximum stationary weight capacity 120kg. Please do not place any body or object above 120kg on this chair.

> Visit [www.gamehero.com](http://www.gamehero.com) for more information and instructions

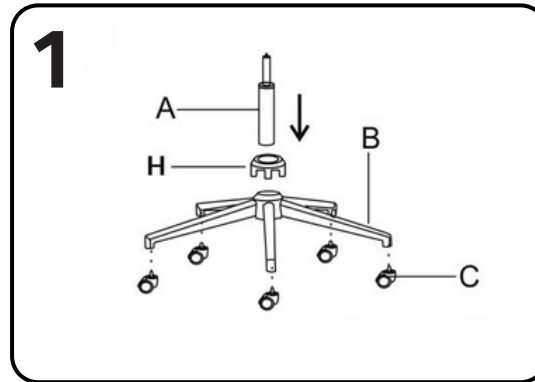
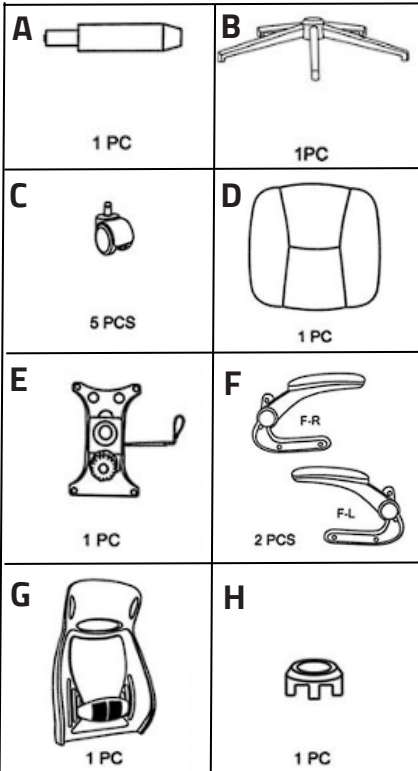
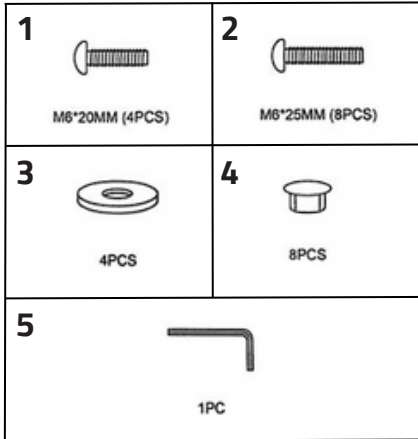


# GAME OFFICE G3 OFFICE CHAIR HERO ASSEMBLY INSTRUCTION

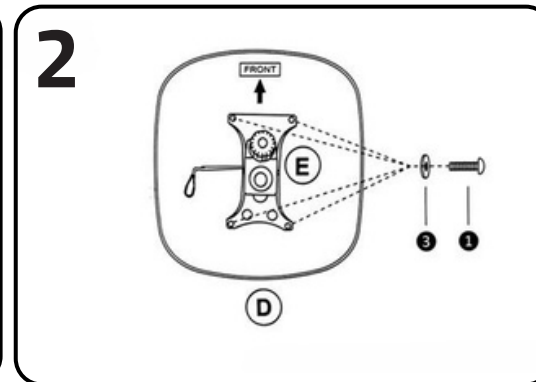


SCAN FOR DIGITAL INSTRUCTION

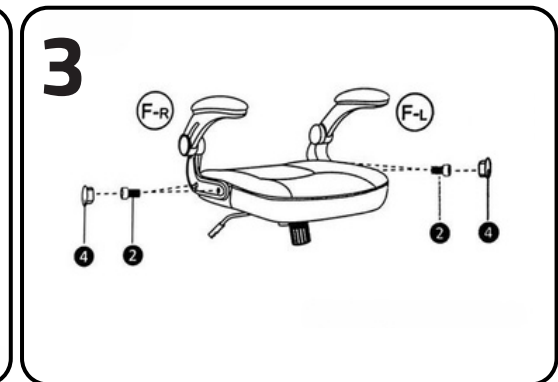
NOTE: SOME SCREWS AND PARTS ARE ALREADY PRE-MOUNTED TO THE CHAIR.



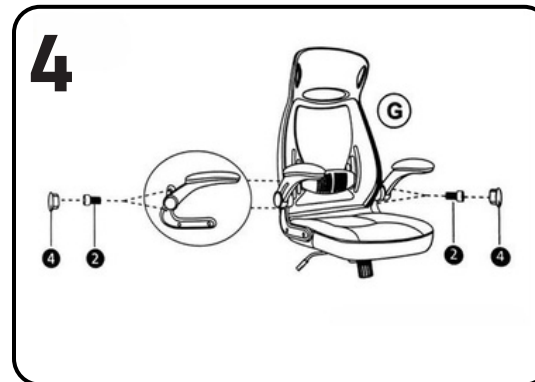
Attach all five casters (C>B). Place metal cover over the base (H>B). Place the gaslift inside the middle of the base (A>B).



Turn the seat and assemble the leaning mechanism (E>D). Be ware of the direction.



Place down the seat, attach the armrest using the dedicated screws and caps (FR&FL>D).



Place backrest between the mounting brackets (G>F). Screw in place with the dedicated screws and caps.



Connect the top to the base with the dedicated hole within the leaning mechanism.



Great job! You're done.

> Visit [www.gamehero.com](http://www.gamehero.com) for more information and instructions