

# H125/H151/H200M/H200/H300 Series Filter-Ag Systems



**The H-Series Family H125, H151, H200, H200M, H300**

## **Filter-Ag Filtration Systems**

Filter-ag is used for suspended solids reduction. Its fractured edges and irregular surface provides a high surface area for efficient removal down to the 20-40 micron level. Filter-Ag's large particle size creates less pressure drop and allows deeper sediment penetration and longer filter runs.

Water quality parameters: pH full range; maximum water temperature 140°F; filter bed should be allowed to soak 24 hours before backwashing.

**Hellenbrand**<sup>®</sup>

# H125/H151/H200M/H200/H300 Filter-Ag Systems

MODEL	PIPE SIZE	CF FILTER MEDIA	TANK SIZE	WATER QUALITY			BACK WASH FLOW RATE	DIMENSIONS <sup>1</sup>					EST. SHIP WT. LBS.
				SUPERIOR	HIGH	UTILITY		TOTAL H <sup>2</sup>	INLET I	OUTLET O	DRAIN D	WIDTH W	
H125-FA-10-1	1.25	1	10x44	3	4	5	5	51	46	46	50	11	100
H125-FA-10-1.5	1.25	1.5	10x54	3	4	5	5	63	57	57	58	11	110
H125-FA-13-2	1.25	2	13x54	5	7	9	9	63	57	57	58	14	160
H125-FA-14-3	1.25	3	14x65	5	8	11	10	74	68	68	69	15	220
H125-FA-16-4	1.25	4	16x65	7	10	14	15	74	67	70	68	17	325
H125-FA-18-5	1.25	5	18x65	9	13	18	18	76	68	71	69	19	345
H125-FA-21-6	1.25	6	21x65	12	18	24	25	72	65	67	67	22	380
H151-FA-14-3	1.5	3	14x65	5	8	11	10	74	68	69	70	15	225
H151-FA-16-4	1.5	4	16x65	7	10	14	15	74	68	69	70	17	285
H151-FA-18-5	1.5	5	18x65	9	13	18	18	76	69	70	71	19	355
H151-FA-21-6	1.5	6	21x62	12	18	24	25	72	65	67	67	22	405
H151-FA-24-8	1.5	8	24x72	16	24	31	30	82	75	76	77	25	630
H200M-FA-14-3	2	3	14x65	5	8	11	10	78	69	69	78	15	240
H200M-FA-16-4	2	4	16x65	7	10	14	15	78	69	69	78	17	350
H200M-FA-18-5	2	5	18x65	9	13	18	18	80	71	71	80	19	370
H200M-FA-21-6	2	6	21x62	12	18	24	25	80	71	71	80	22	435
H200M-FA-24-8	2	8	24x72	16	24	31	30	88	79	79	88	25	655
H200M-FA-30-15	2	15	30x72	25	37	49	50	89	80	80	89	31	915
H200-FA-24-8 <sup>3</sup>	2	8	24x72	16	24	31	30	89	83	87	85	25	710
H200-FA-30-15 <sup>3</sup>	2	15	30x72	25	37	49	50	86	80	84	82	31	915
H200-FA-36-20 <sup>3</sup>	2	20	36x72	35	53	71	70	87	81	85	83	37	1120
H200-FA-42-30 <sup>3</sup>	2	30	42x72	48	72	96	95	105	98	102	101	43	1400
H300-FA-36-20 <sup>3</sup>	3	20	36x72	63	94	126	70	104	96	96	100	37	1220
H300-FA-42-30 <sup>3</sup>	3	30	42x72	48	72	96	95	109	102	102	108	43	1330
H300-FA-48-40 <sup>3</sup>	3	40	48x72	63	94	126	125	109	102	102	108	43	1740
H300-FA-54-45 <sup>3</sup>	3	45	54x60	80	119	159	160	93	85	85	89	51	2700

<sup>1</sup>All dimensions are ± 1"

<sup>2</sup>Allow additional 12" for media loading

<sup>3</sup>Available in top-mount or side-mount

- Service and backwash flow rates are based on 50°F incoming water temperature.
- Operating parameters - pressure range 40-100 PSI; temperature range 40°-110°F.
- Product improvement designs are subject to change without notice

**As a general rule** - Lower flows produce higher quality water and a larger volume of treated water between backwashing.

### Superior

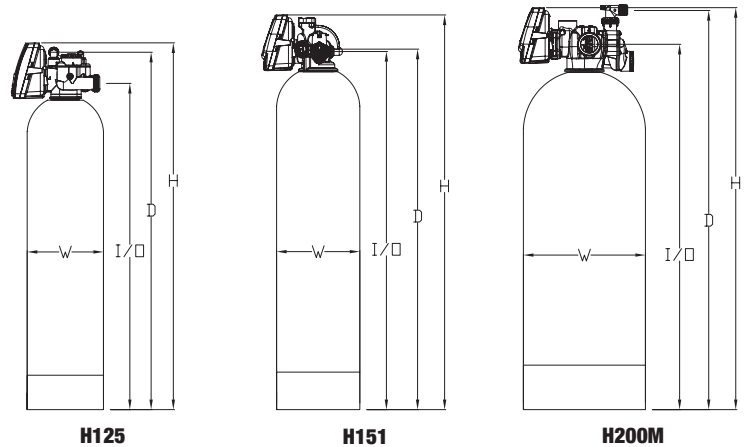
- Recommended for most filtering applications under all operating conditions.
- Best quality water
- Maximum time on line between backwashing
- Lowest pressure loss
- Recommended for influent suspended solids loads up to and greater than 300 ppm.

### High

- Well suited for many filtering applications
- Very good quality water
- Moderate time on line between backwashing
- Increased pressure loss
- Recommended for influent suspended solids loads less than 300 ppm.

### Utility

- Flow rates listed are at peak design - operation at higher flow rates not recommended
- Satisfactory water quality
- Shorter on line time
- Higher pressure loss
- Recommended for influent suspended solids loads less than 150 ppm.



Consult Hellenbrand's engineering department for additional sizes, modifications or special applications.



1-800-626-1417  
www.hellenbrand.com

800310  
2/12 - LBRY  
©2009-2012