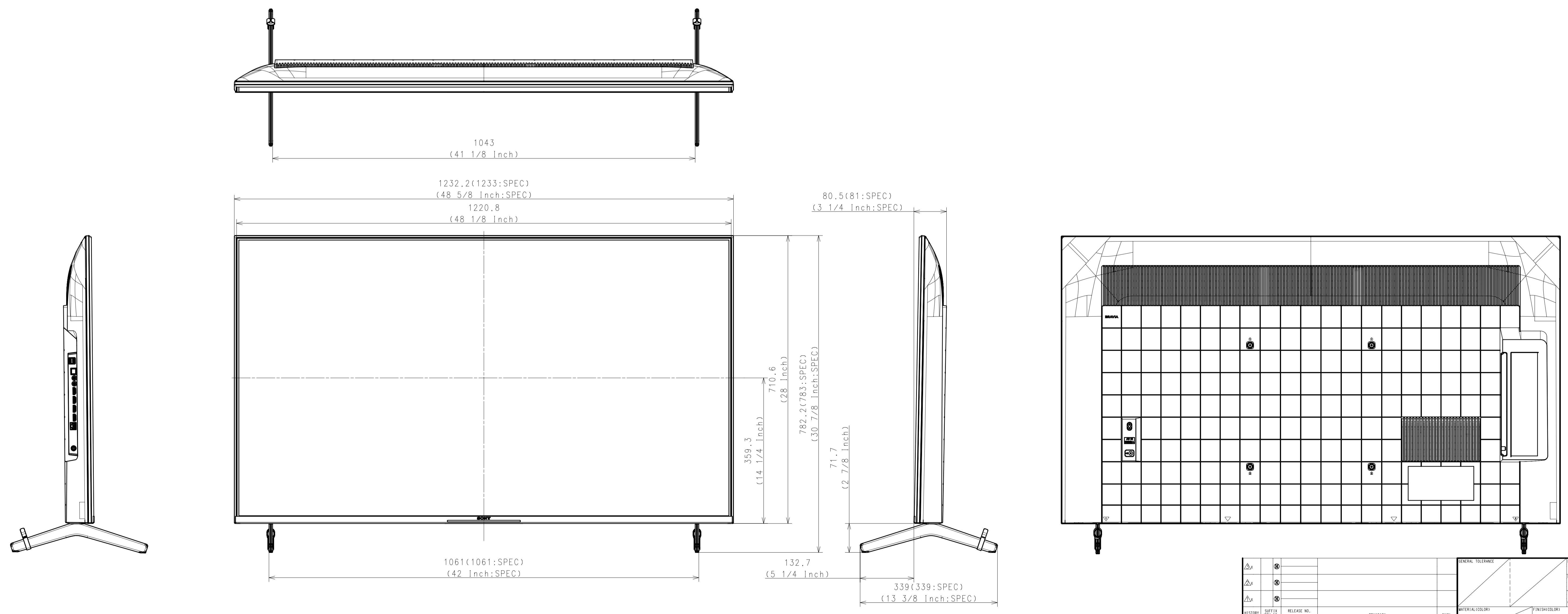


| Area | | JAPAN | NORTH AMERICA | LATIN AMERICA | EUROPE | EUROPE 2 | GENERAL AREA | CHINA |
|-------------------|--------------------------------------------------|-------------------------------------|-----------------------------------------------------|---------------------|--------------------------------|--------------------------------|-----------------------------|-----------------------------|
| Model Name | | KJ-55X85K | KD-55X85K | KD-55X85K | KD-55X85K | KD-55X85TK | KD-55X85K | KD-55X85K |
| SV No. | | SV-40369 | SV-40219 | SV-40238 | SV-40336 | SV-40335 | SV-40272 | SV-40303 |
| DIMENSION | TV only (W x H x D) | 123.3 x 71.1 x 7.2 cm | 1233 x 711 x 72 mm / 48 5/8 x 28 x 2 7/8 inch | 1233 x 711 x 72 mm | Approx. 123.3 x 71.1 x 7.2 cm | Approx. 123.3 x 71.1 x 7.2 cm | Approx. 1233 x 711 x 72 mm | Approx. 1233 x 711 x 72 mm |
| | TV only with camera (WxHxD) | - | - | - | - | - | - | - |
| | TV with Stand (Standard position) (W x H x D) | 123.3 x 78.3 x 33.9 cm | 1233 x 782 x 338 mm / 48 5/8 x 30 7/8 x 13 3/8 inch | 1233 x 782 x 338 mm | Approx. 123.3 x 78.3 x 33.9 cm | Approx. 123.3 x 78.3 x 33.9 cm | Approx. 1233 x 783 x 339 mm | Approx. 1233 x 783 x 339 mm |
| | TV with Stand (Narrow position) (W x H x D) | - | - | - | Approx. 123.3 x 78.3 x 33.9 cm | - | - | - |
| | TV with Stand (Soundbar position) (W x H x D) | - | - | - | - | - | - | - |
| | TV with Stand (Front position style) (W x H x D) | - | - | - | - | - | - | - |
| | TV with Stand (Back position style) (W x H x D) | - | - | - | - | - | - | - |
| | TV with Floor Stand (W x H x D) | - | - | - | - | - | - | - |
| | Stand Width (Standard position) | 106.1 cm | 1061 mm / 41 7/8 inch | 1061 mm | Approx. 106.1 cm | Approx. 106.1 cm | Approx. 1061 mm | Approx. 1061 mm |
| | Stand Width (Narrow position) | - | - | - | Approx. 45.8 cm | - | - | - |
| | Stand Width (Soundbar position) | - | - | - | - | - | - | - |
| | Stand Width (Front position style) | - | - | - | - | - | - | - |
| | Stand Width (Back position style) | - | - | - | - | - | - | - |
| Floor Stand Width | - | - | - | - | - | - | - | |
| VESA Hole Pitch | 30.0 x 30.0 cm | 300 x 300 mm / 11 7/8 x 11 7/8 inch | 300 x 300 mm | 30.0 x 30.0 cm | 30.0 x 30.0 cm | 300 x 300 mm | 300 x 300 mm | |
| WEIGHT | TV Only | 17.1 kg | 17.1 kg / 37.7 lb | 17.1 kg | Approx. 17.1 kg | Approx. 17.1 kg | Approx. 17.1 kg | Approx. 17.1 kg |
| | TV with Stand (Standard position) | 18.1 kg | 18.1 kg / 39.9 lb | 18.1 kg | Approx. 18.1 kg | Approx. 18.1 kg | Approx. 18.1 kg | Approx. 18.1 kg |
| | TV with Stand (Narrow position) | - | - | - | - | - | - | - |
| | TV with Stand (Soundbar position) | - | - | - | Approx. 18.1 kg | - | - | - |
| | TV with Stand (Front/Back position style) | - | - | - | - | - | - | - |
| | TV with Floor Stand | - | - | - | - | - | - | - |
| | Floor Stand weight (Supply) | - | - | - | - | - | - | - |
| Remarks | | | Main Stand(APH) | Main Stand(APH) | 2way | | | |

WITH STAND

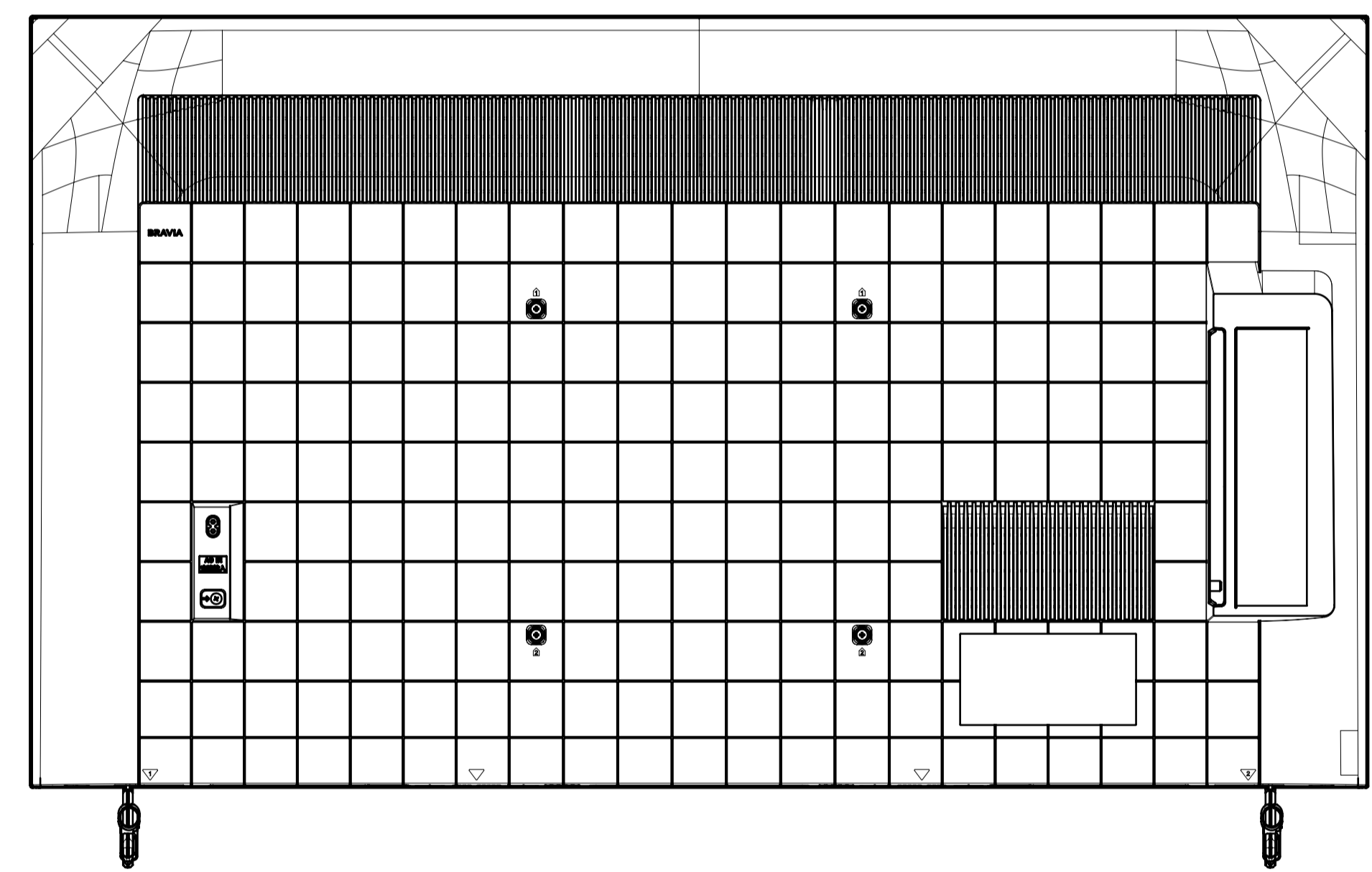
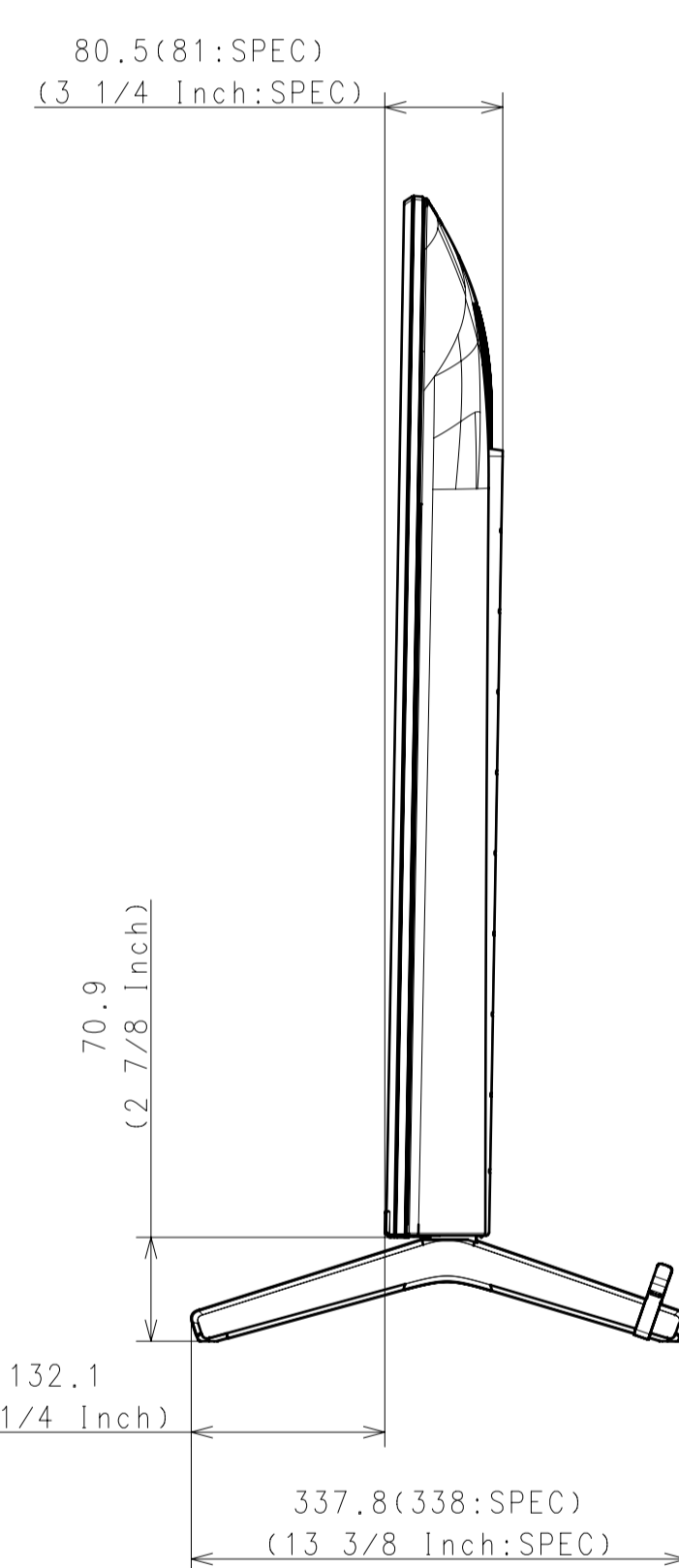
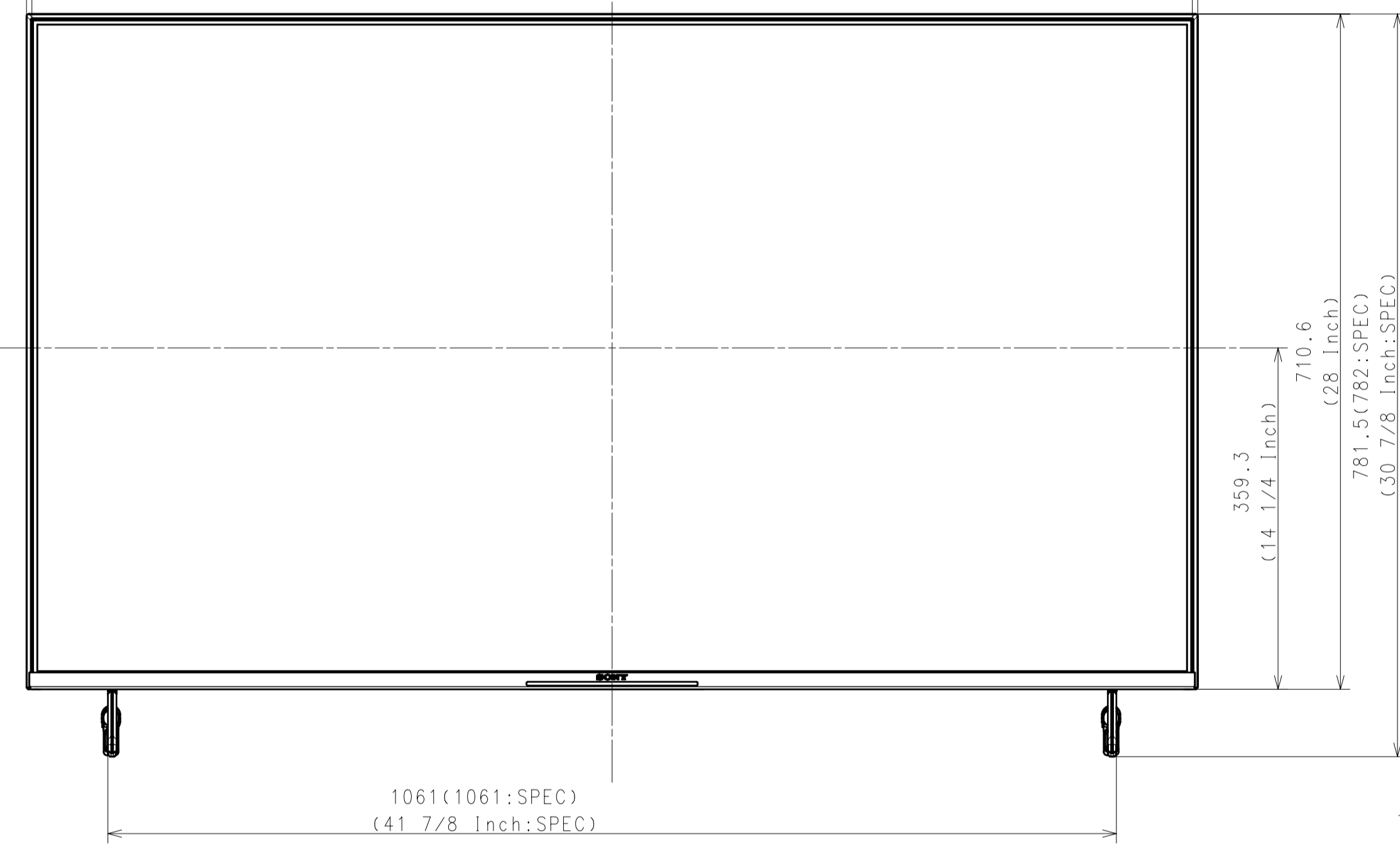
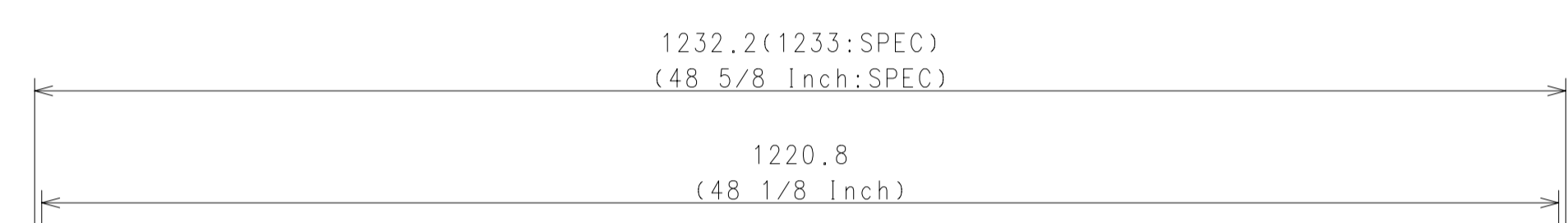
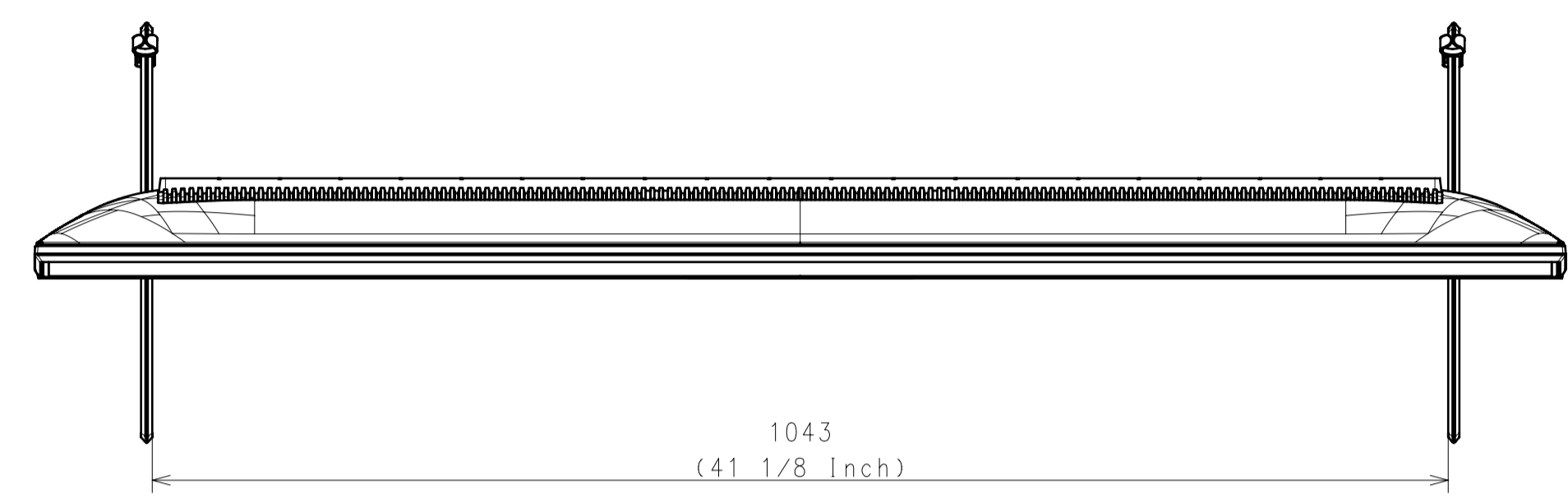
MAIN STAND (STANDARD POSITION)
Except KD-55X85K (NORTH AMERICA, LATIN AMERICA)



| <table border="1"> <tr> <th>DATE OF ISSUE</th> <td>2021.12.10</td> </tr> <tr> <th>DOCUMENT TYPE</th> <td>ASSEMBLY DRAWING</td> </tr> <tr> <th>TELEGRAPHIC SYMBOL</th> <td>(JIS & ISO/IEC 10303)</td> </tr> </table> | DATE OF ISSUE | 2021.12.10 | DOCUMENT TYPE | ASSEMBLY DRAWING | TELEGRAPHIC SYMBOL | (JIS & ISO/IEC 10303) | <table border="1"> <tr> <th>GENERAL TOLERANCE</th> <td></td> </tr> <tr> <th>MATERIAL COLOR</th> <td></td> </tr> <tr> <th>FINISH COLOR</th> <td></td> </tr> </table> | GENERAL TOLERANCE | | MATERIAL COLOR | | FINISH COLOR | | | | | | | | | |
|-----------------------------------------------------------------------------------------------------------------------------------------------------------------------------------------------------------------------------------------------------------------------|---------------------------|---------------------------|---------------|------------------|--------------------|-----------------------|---------------------------------------------------------------------------------------------------------------------------------------------------------------------|-------------------|------------------------------------------------------------------------------------------------------------------------------------------------------------------------------------------------------------------------------------------------------------------------------------------------------------------------------------|----------------|-------------------------|-----------------|-------------------------|----------|-----|-------|----|------|----|-------------|-----|
| DATE OF ISSUE | 2021.12.10 | | | | | | | | | | | | | | | | | | | | |
| DOCUMENT TYPE | ASSEMBLY DRAWING | | | | | | | | | | | | | | | | | | | | |
| TELEGRAPHIC SYMBOL | (JIS & ISO/IEC 10303) | | | | | | | | | | | | | | | | | | | | |
| GENERAL TOLERANCE | | | | | | | | | | | | | | | | | | | | | |
| MATERIAL COLOR | | | | | | | | | | | | | | | | | | | | | |
| FINISH COLOR | | | | | | | | | | | | | | | | | | | | | |
| <table border="1"> <tr> <th>RESPONSIBLE DEPARTMENT</th> <td>PANEL & MECHANICAL DESIGN</td> </tr> <tr> <th>PLANNED BY</th> <td>2021.12.10</td> </tr> <tr> <th>DESIGNED BY</th> <td>2021.12.10</td> </tr> <tr> <th>DRAWN BY</th> <td>2021.12.10</td> </tr> </table> | RESPONSIBLE DEPARTMENT | PANEL & MECHANICAL DESIGN | PLANNED BY | 2021.12.10 | DESIGNED BY | 2021.12.10 | DRAWN BY | 2021.12.10 | <table border="1"> <tr> <th>RELEASE NO.</th> <td></td> </tr> <tr> <th>DATE</th> <td></td> </tr> <tr> <th>REVISION</th> <td></td> </tr> <tr> <th>SIGN.</th> <td></td> </tr> </table> | RELEASE NO. | | DATE | | REVISION | | SIGN. | | | | | |
| RESPONSIBLE DEPARTMENT | PANEL & MECHANICAL DESIGN | | | | | | | | | | | | | | | | | | | | |
| PLANNED BY | 2021.12.10 | | | | | | | | | | | | | | | | | | | | |
| DESIGNED BY | 2021.12.10 | | | | | | | | | | | | | | | | | | | | |
| DRAWN BY | 2021.12.10 | | | | | | | | | | | | | | | | | | | | |
| RELEASE NO. | | | | | | | | | | | | | | | | | | | | | |
| DATE | | | | | | | | | | | | | | | | | | | | | |
| REVISION | | | | | | | | | | | | | | | | | | | | | |
| SIGN. | | | | | | | | | | | | | | | | | | | | | |
| <table border="1"> <tr> <th>RESPONSIBLE DEPARTMENT</th> <td>PANEL & MECHANICAL DESIGN</td> </tr> <tr> <th>PLANNED BY</th> <td>2021.12.10</td> </tr> <tr> <th>DESIGNED BY</th> <td>2021.12.10</td> </tr> <tr> <th>DRAWN BY</th> <td>2021.12.10</td> </tr> </table> | RESPONSIBLE DEPARTMENT | PANEL & MECHANICAL DESIGN | PLANNED BY | 2021.12.10 | DESIGNED BY | 2021.12.10 | DRAWN BY | 2021.12.10 | <table border="1"> <tr> <th>ORIGINAL MODEL</th> <td>55 (X85K) EXTERIOR VIEW</td> </tr> <tr> <th>TENTATIVE MODEL</th> <td>55 (X85K) EXTERIOR VIEW</td> </tr> <tr> <th>SCALE</th> <td>1:5</td> </tr> <tr> <th>SIZE</th> <td>A1</td> </tr> <tr> <th>UNIT</th> <td>mm</td> </tr> <tr> <th>SHEET/PAGES</th> <td>1/6</td> </tr> </table> | ORIGINAL MODEL | 55 (X85K) EXTERIOR VIEW | TENTATIVE MODEL | 55 (X85K) EXTERIOR VIEW | SCALE | 1:5 | SIZE | A1 | UNIT | mm | SHEET/PAGES | 1/6 |
| RESPONSIBLE DEPARTMENT | PANEL & MECHANICAL DESIGN | | | | | | | | | | | | | | | | | | | | |
| PLANNED BY | 2021.12.10 | | | | | | | | | | | | | | | | | | | | |
| DESIGNED BY | 2021.12.10 | | | | | | | | | | | | | | | | | | | | |
| DRAWN BY | 2021.12.10 | | | | | | | | | | | | | | | | | | | | |
| ORIGINAL MODEL | 55 (X85K) EXTERIOR VIEW | | | | | | | | | | | | | | | | | | | | |
| TENTATIVE MODEL | 55 (X85K) EXTERIOR VIEW | | | | | | | | | | | | | | | | | | | | |
| SCALE | 1:5 | | | | | | | | | | | | | | | | | | | | |
| SIZE | A1 | | | | | | | | | | | | | | | | | | | | |
| UNIT | mm | | | | | | | | | | | | | | | | | | | | |
| SHEET/PAGES | 1/6 | | | | | | | | | | | | | | | | | | | | |

WITH STAND

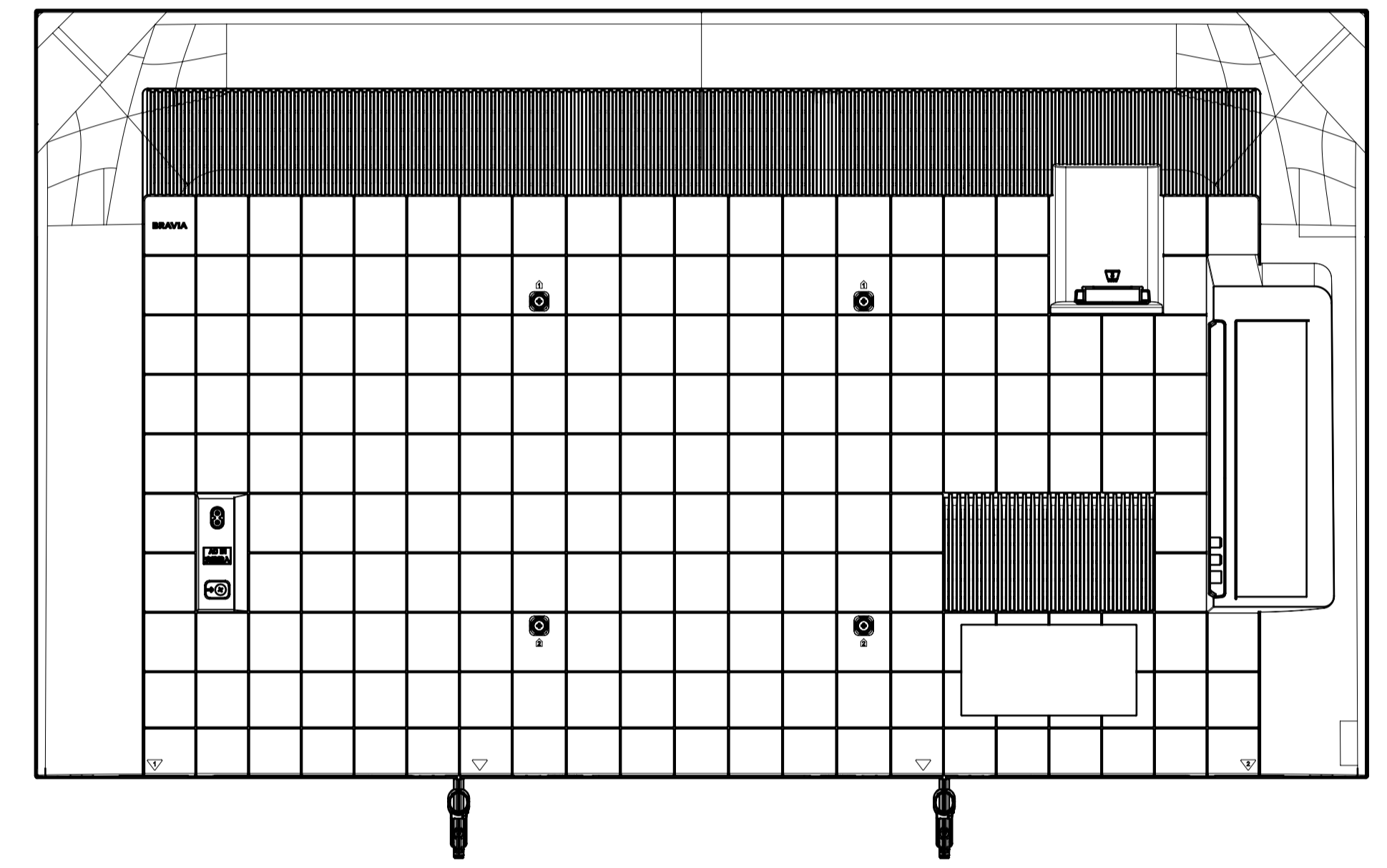
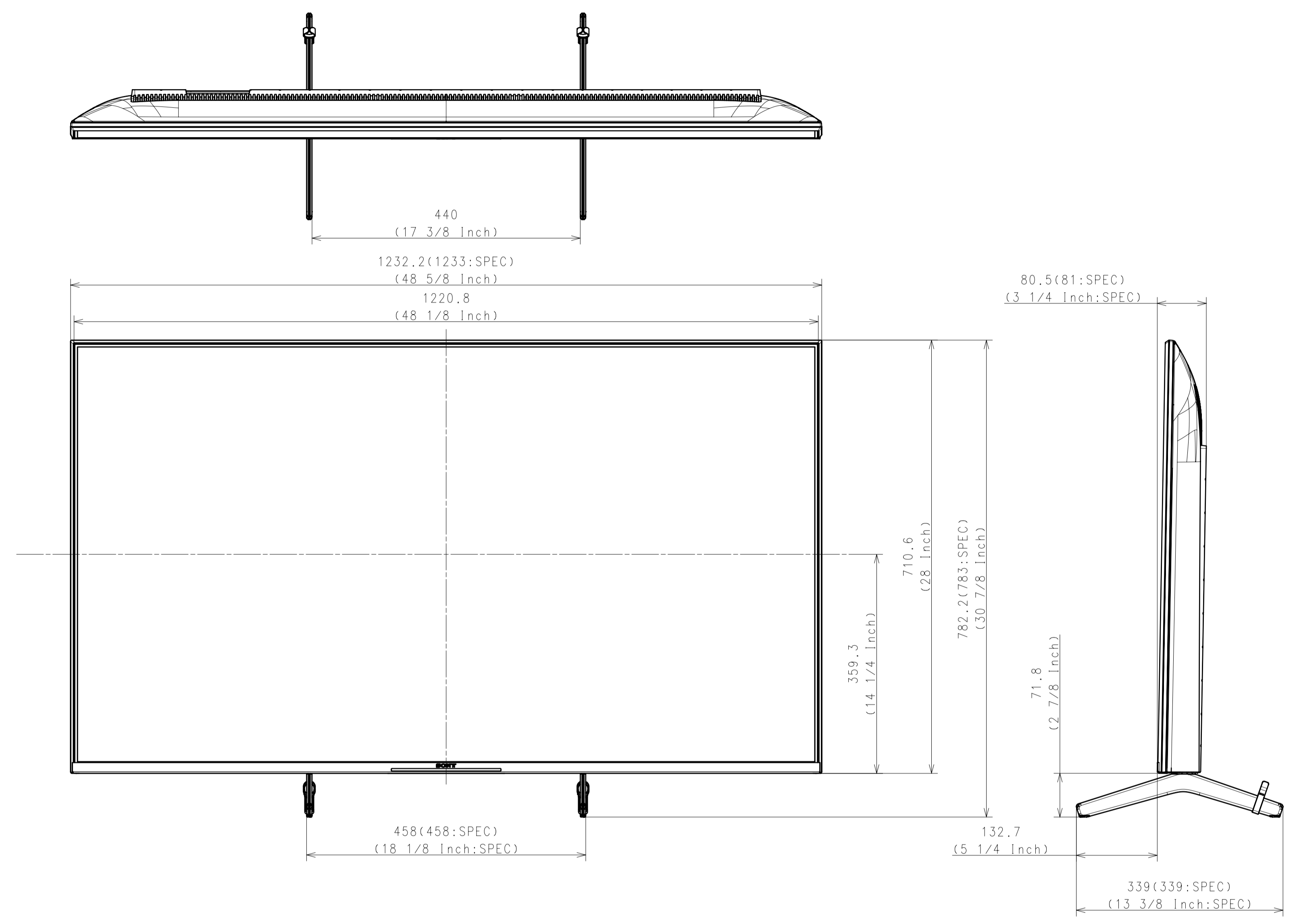
MAIN STAND (APH)
STANDARD POSITION
KD-55X85K (NORTH AMERICA, LATIN AMERICA)



| | | |
|-------------------------|------------------|-------------|
| DESCRIPTION | LEGAL OWNER | SCALE |
| 55 (X85K) EXTERIOR VIEW | Sony Corporation | 1:5 |
| DESCRIPTION | PART NO. | SHEET/PAGES |
| 55 (X85K) EXTERIOR VIEW | | 2 / 6 |

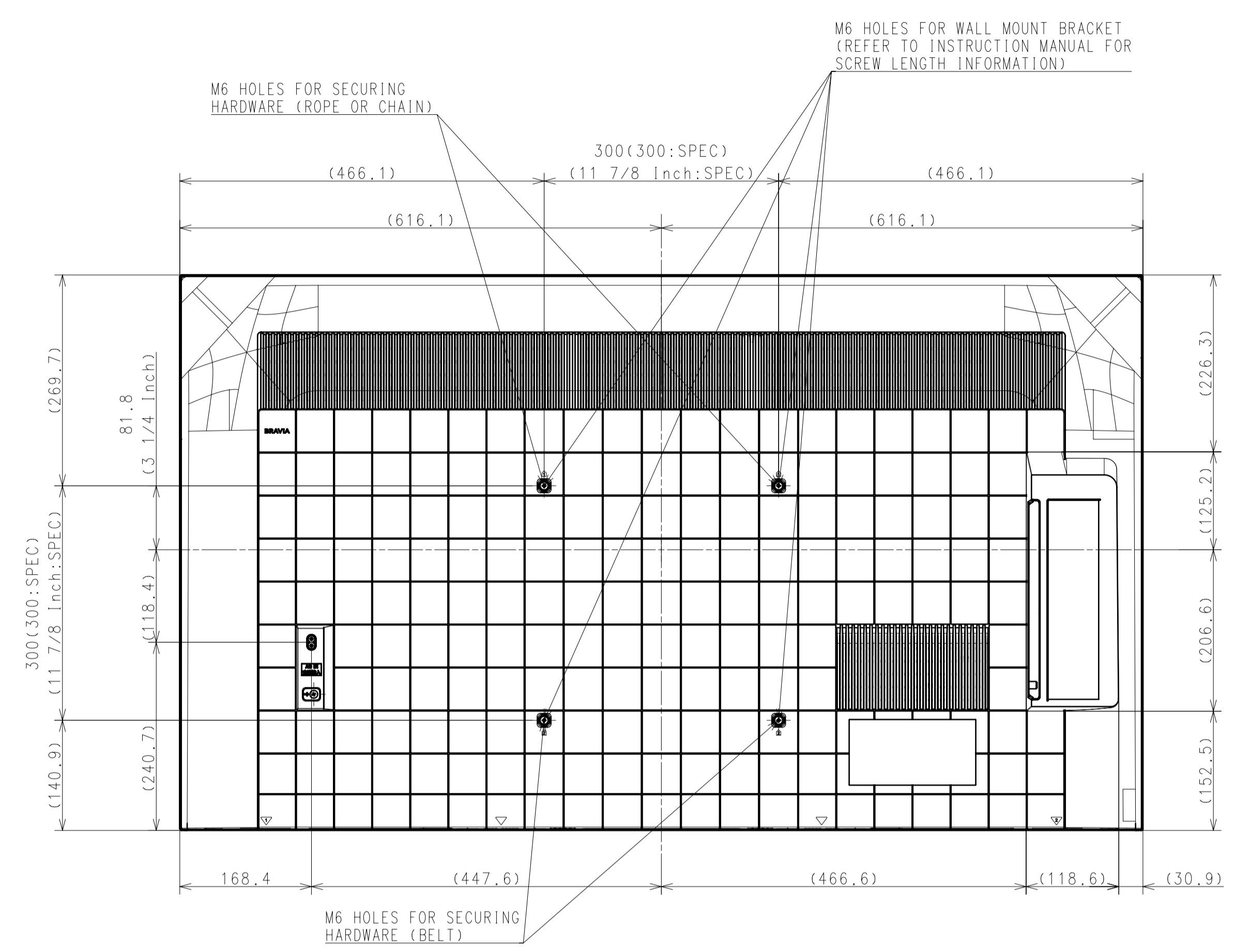
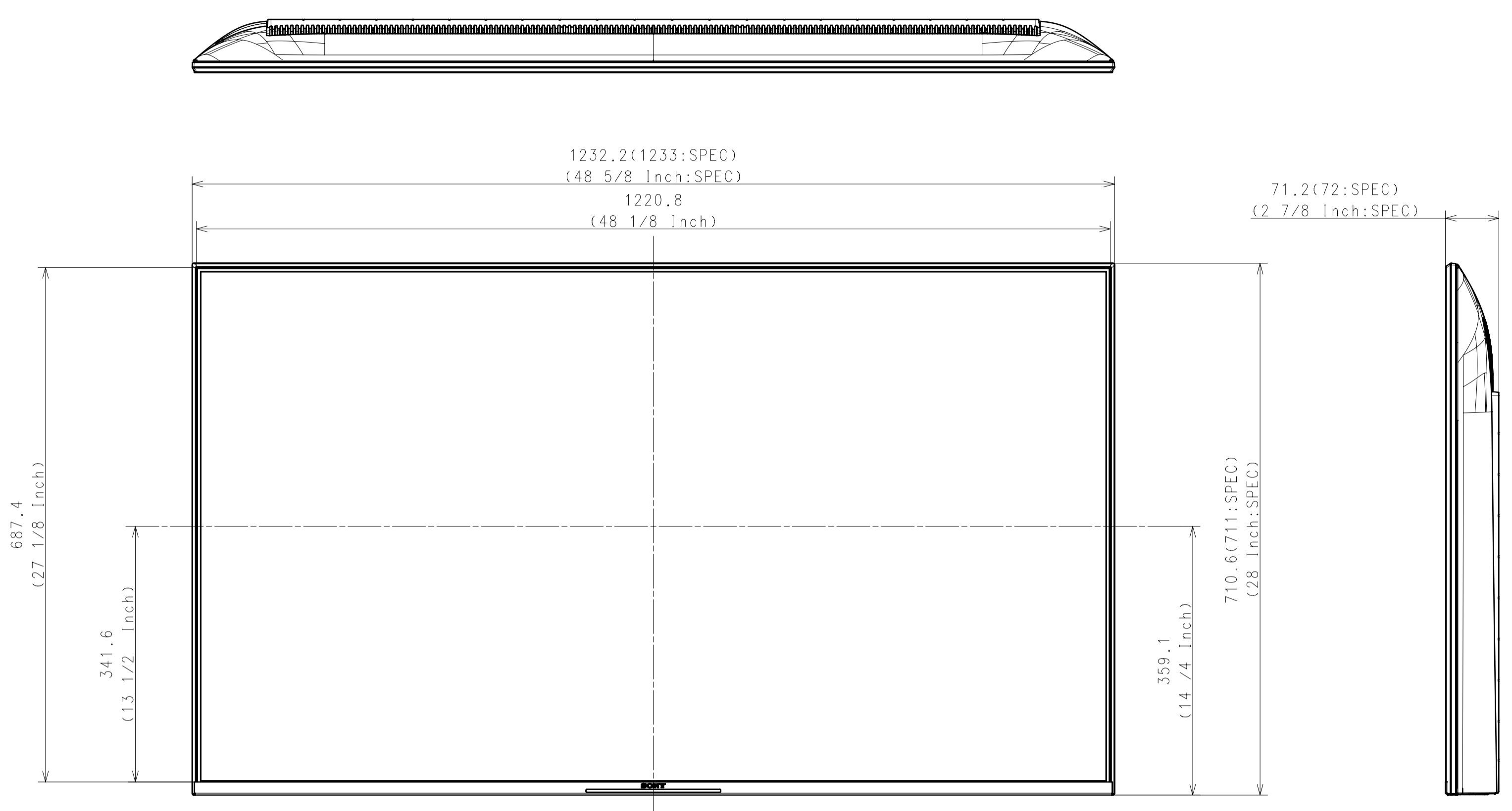
WITH STAND

NARROW POSITION
XR-55X85K (EUROPE Only)

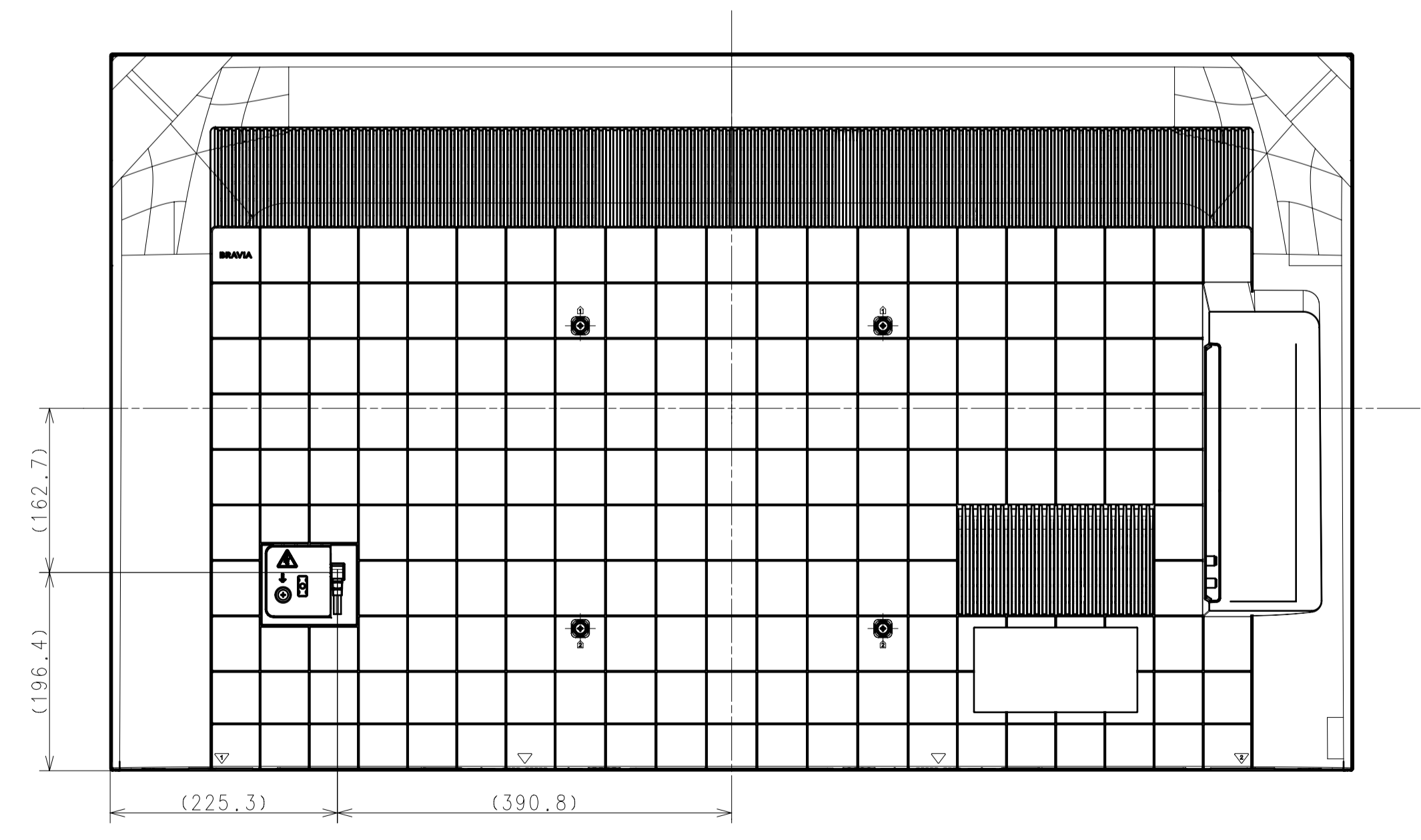


| | | |
|-------------------------|------------------|-------------|
| DESCRIPTION | LEGAL OWNER | SCALE |
| 55 (X85K) EXTERIOR VIEW | Sony Corporation | 1:5 |
| DESCRIPTION | PART NO. | SHEET/PAGES |
| 55 (X85K) EXTERIOR VIEW | | 3 / 6 |

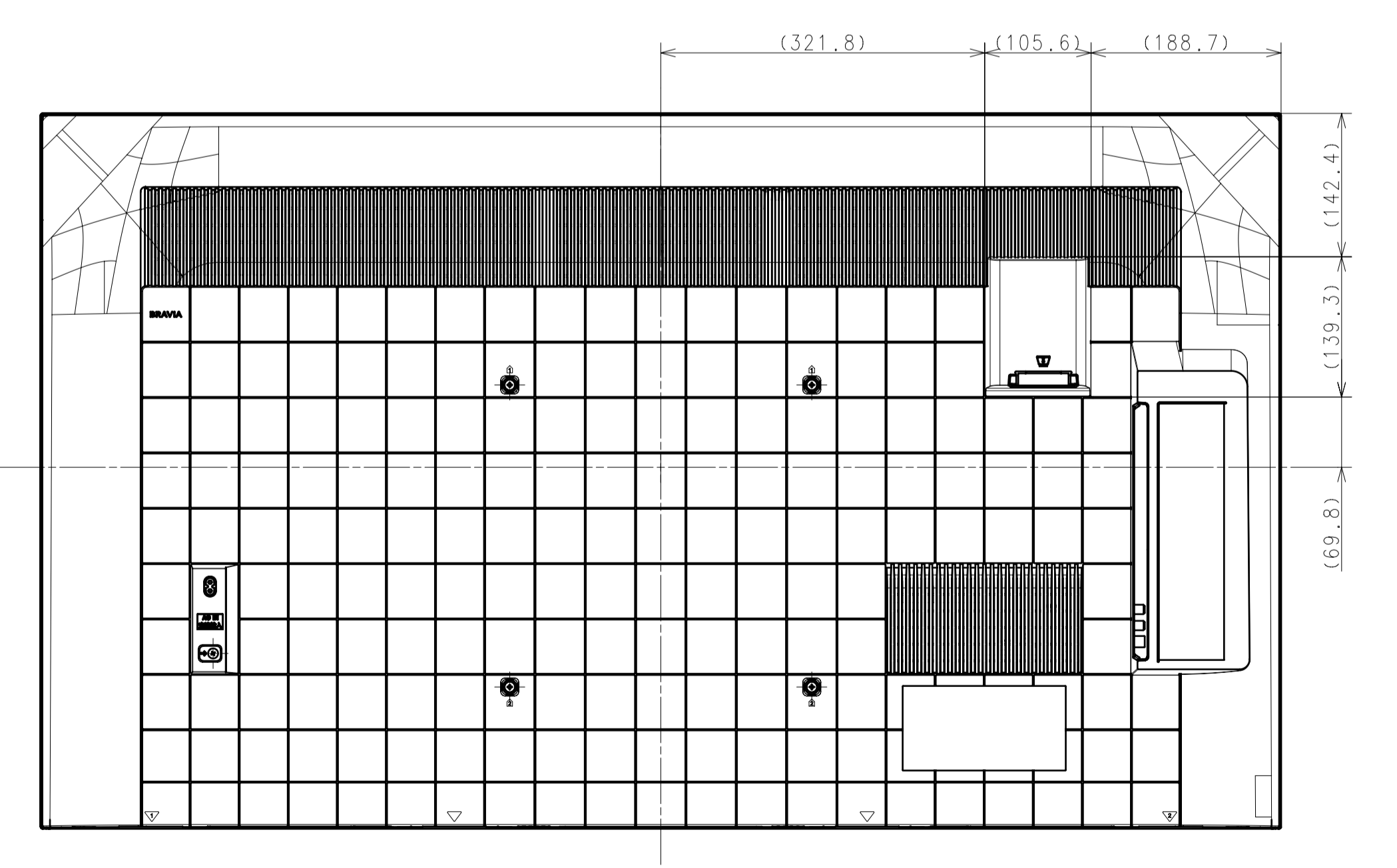
WITHOUT STAND



For GENERAL AREA, NORTH AMERICA, CHINA



For JAPAN, LATIN AMERICA



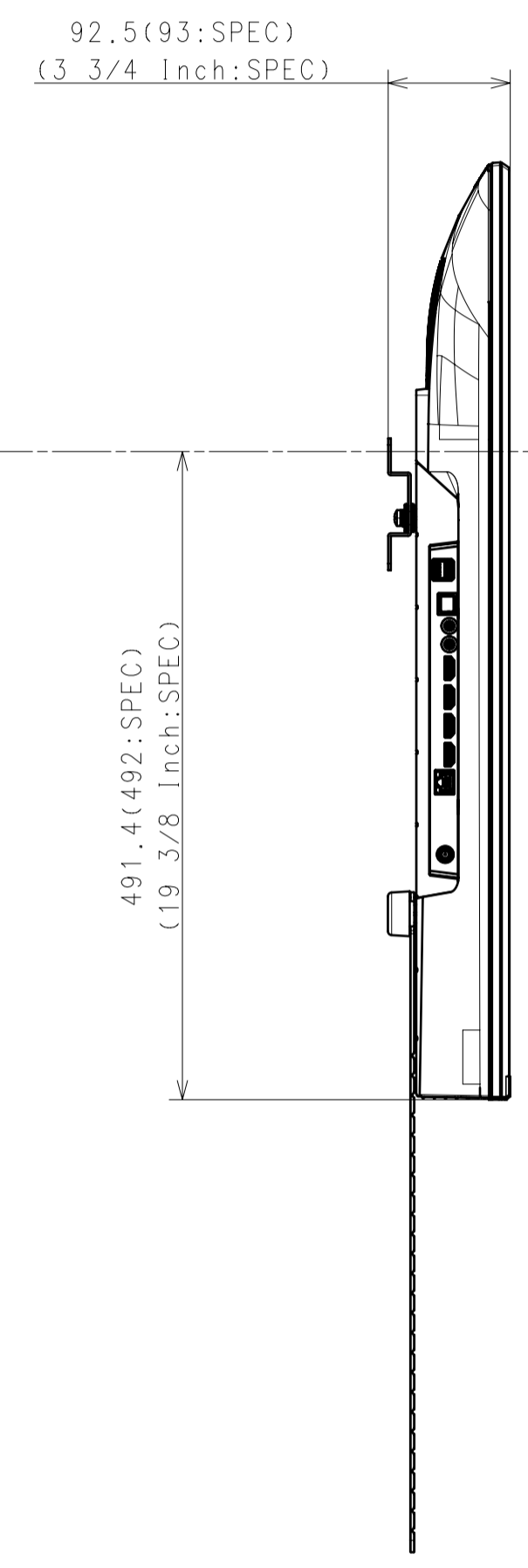
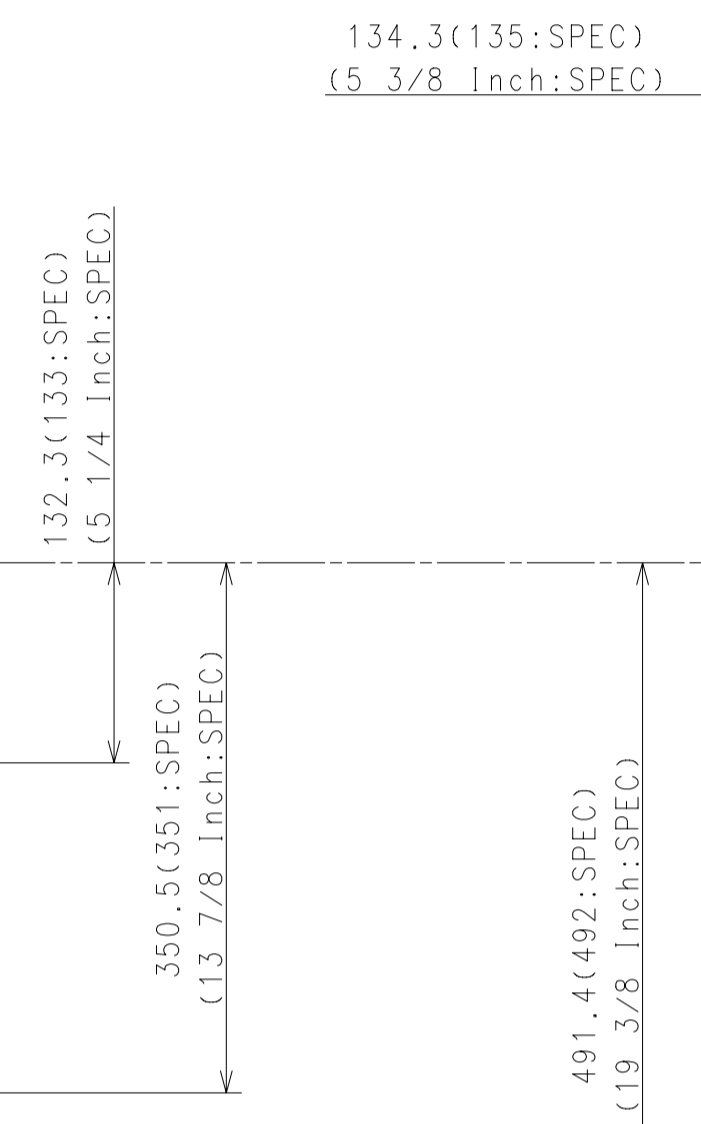
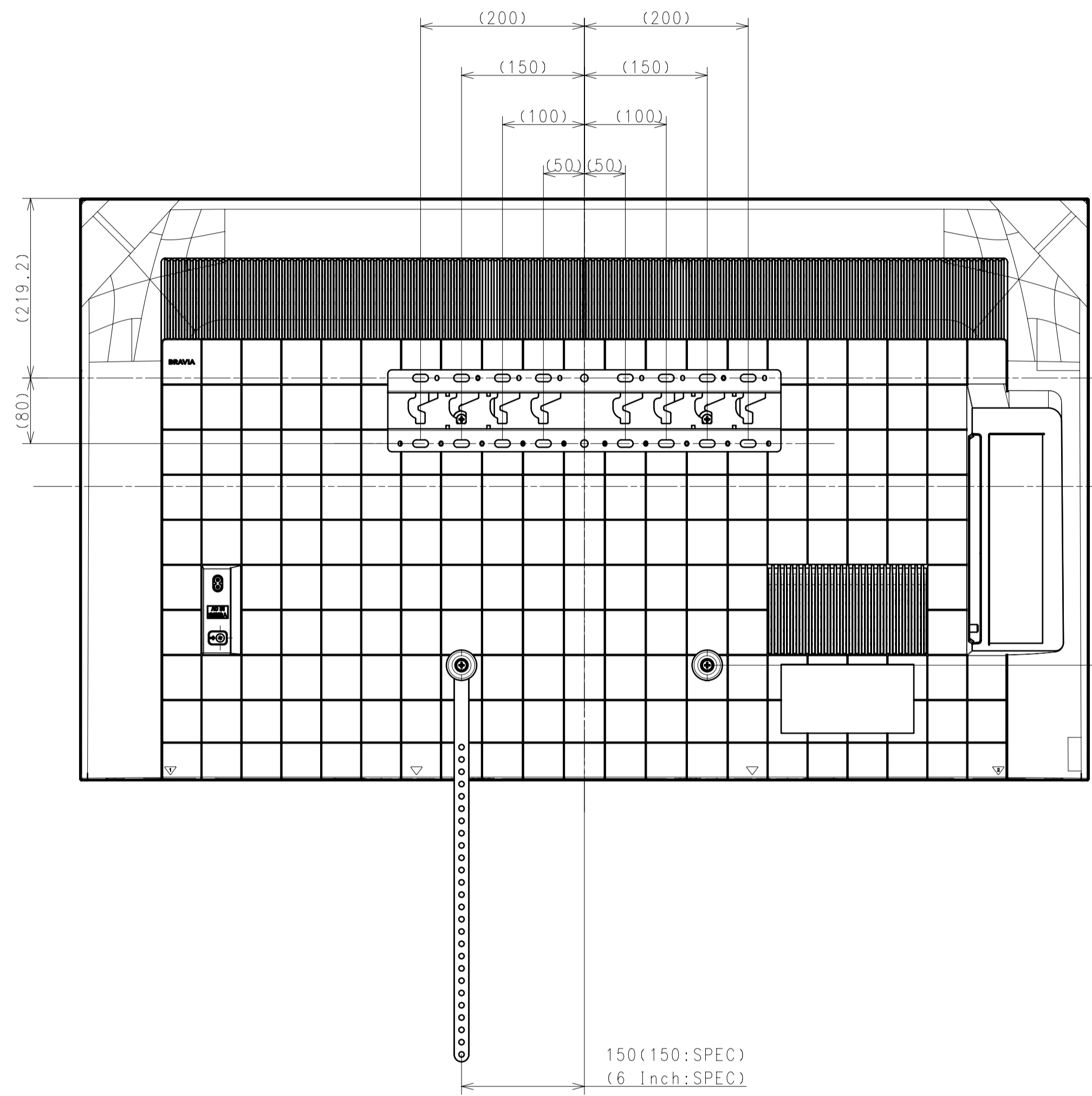
For EUROPE

| | | |
|----------------------------------------|---------------------------------|----------------------|
| DESCRIPTION 55 (X85K) EXTERIOR VIEW | LEGAL OWNER Sony Corporation | SCALE 1:5 |
| DESCRIPTION 55 (X85K) EXTERIOR VIEW | PART NO. | SHEET/PAGES 4 / 6 |

SU-WL450

STANDARD

SLIM

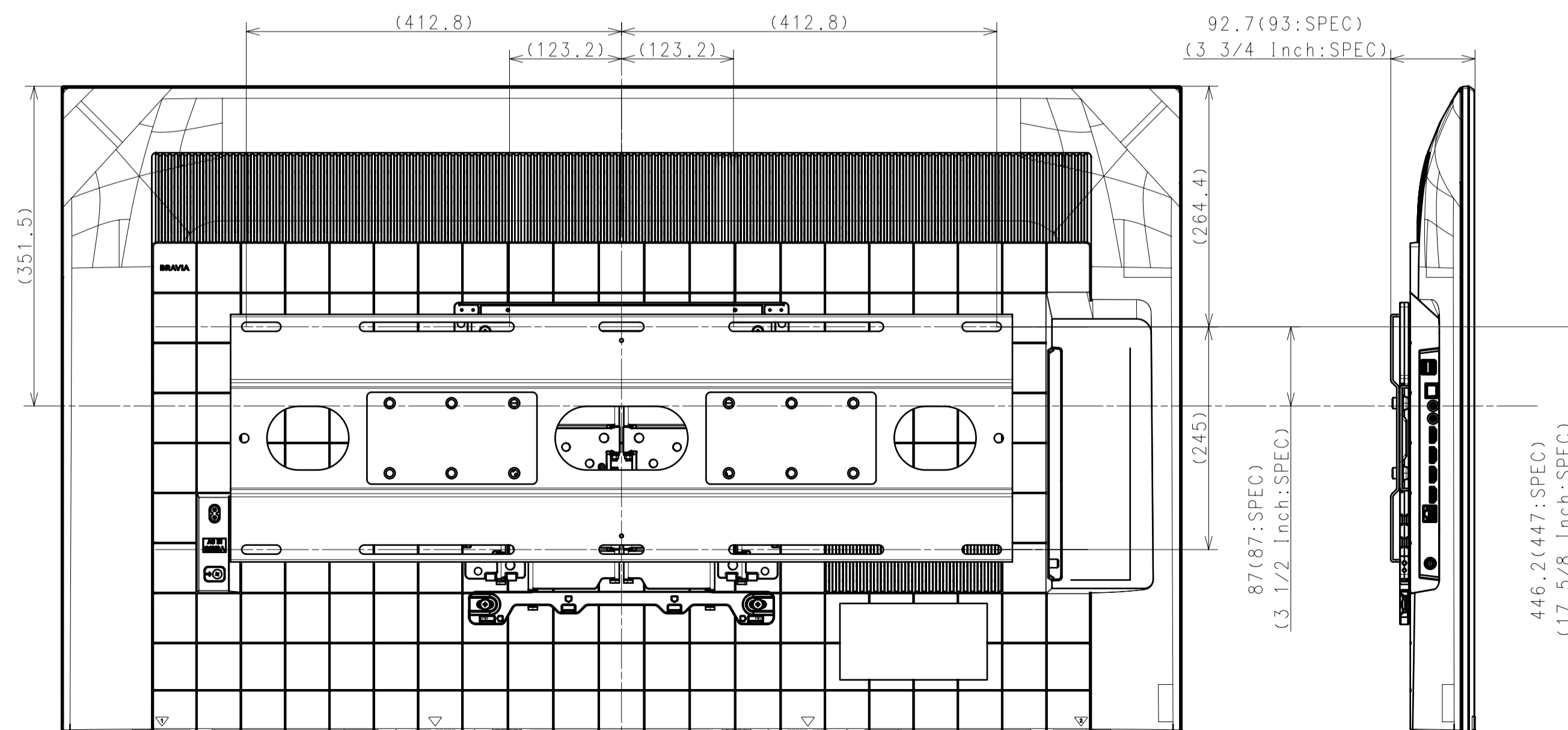
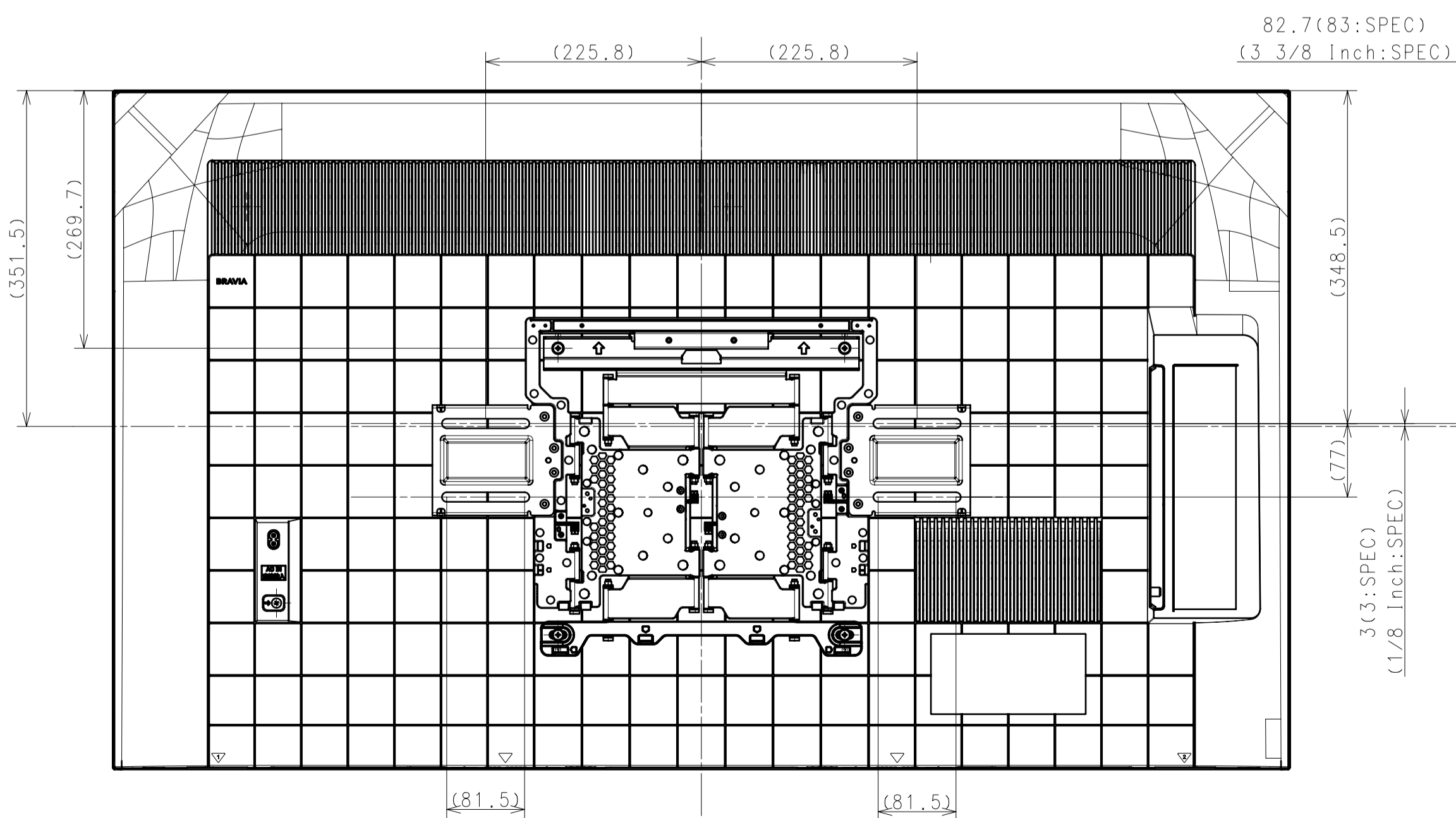
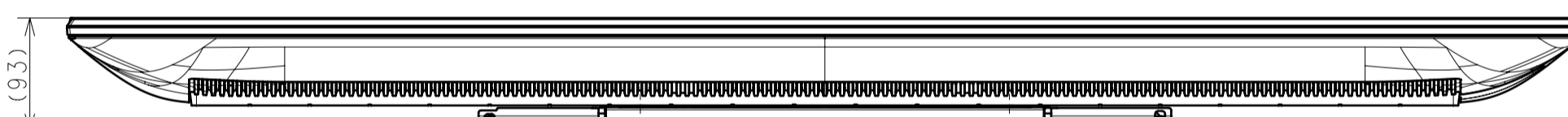
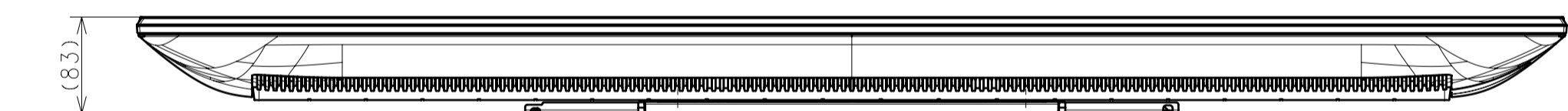
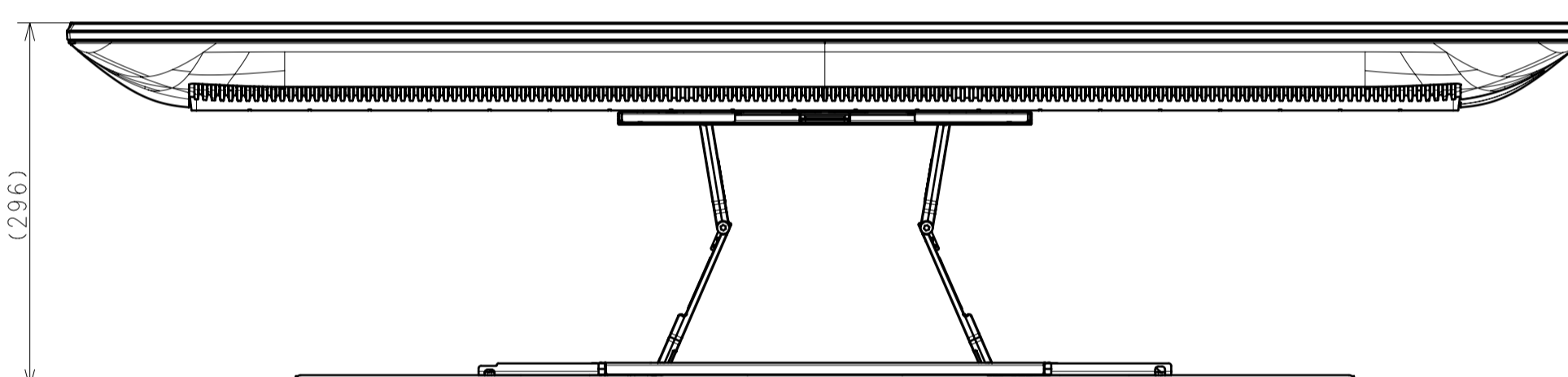
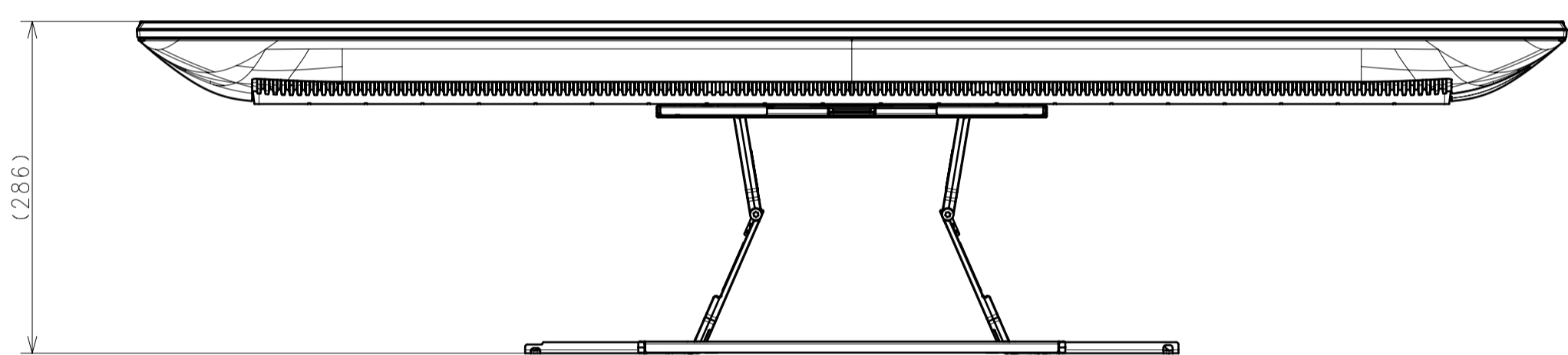
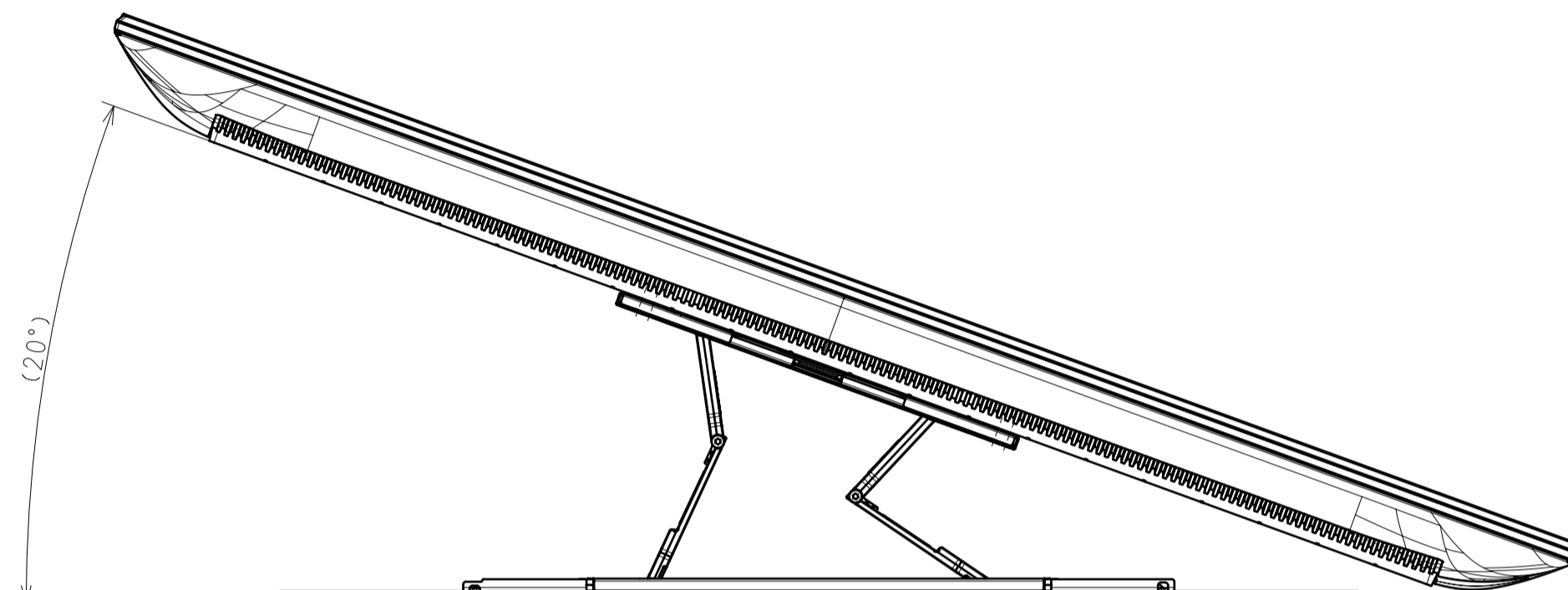
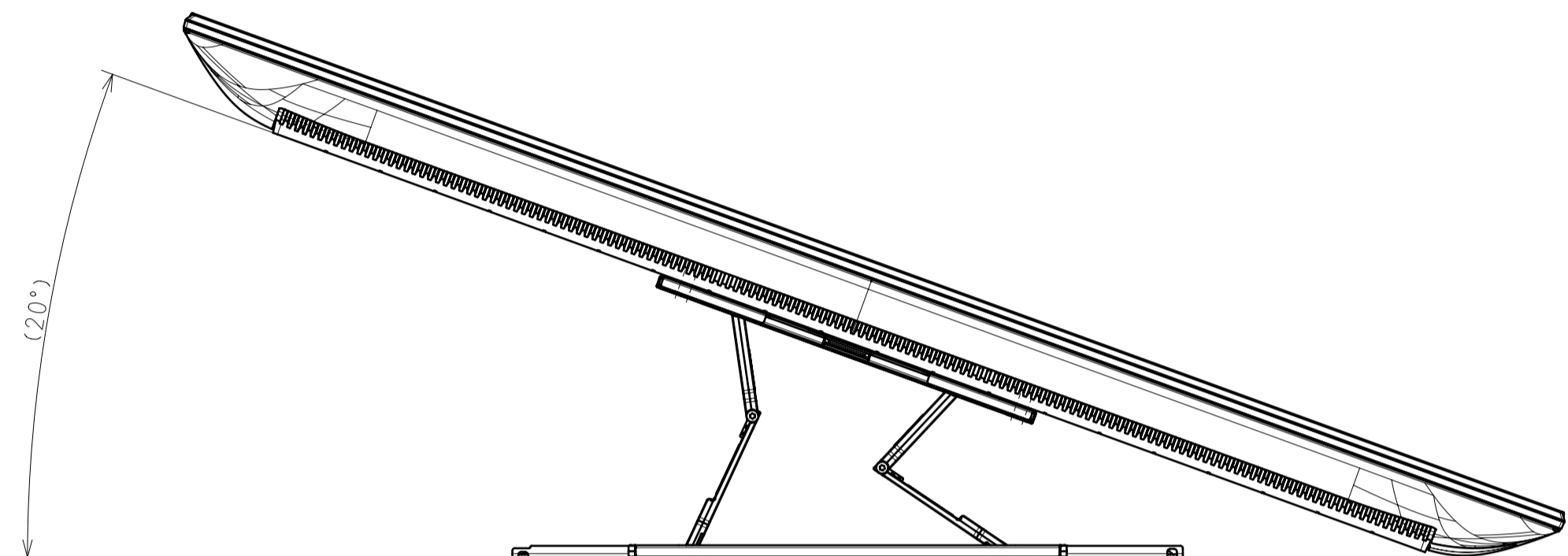
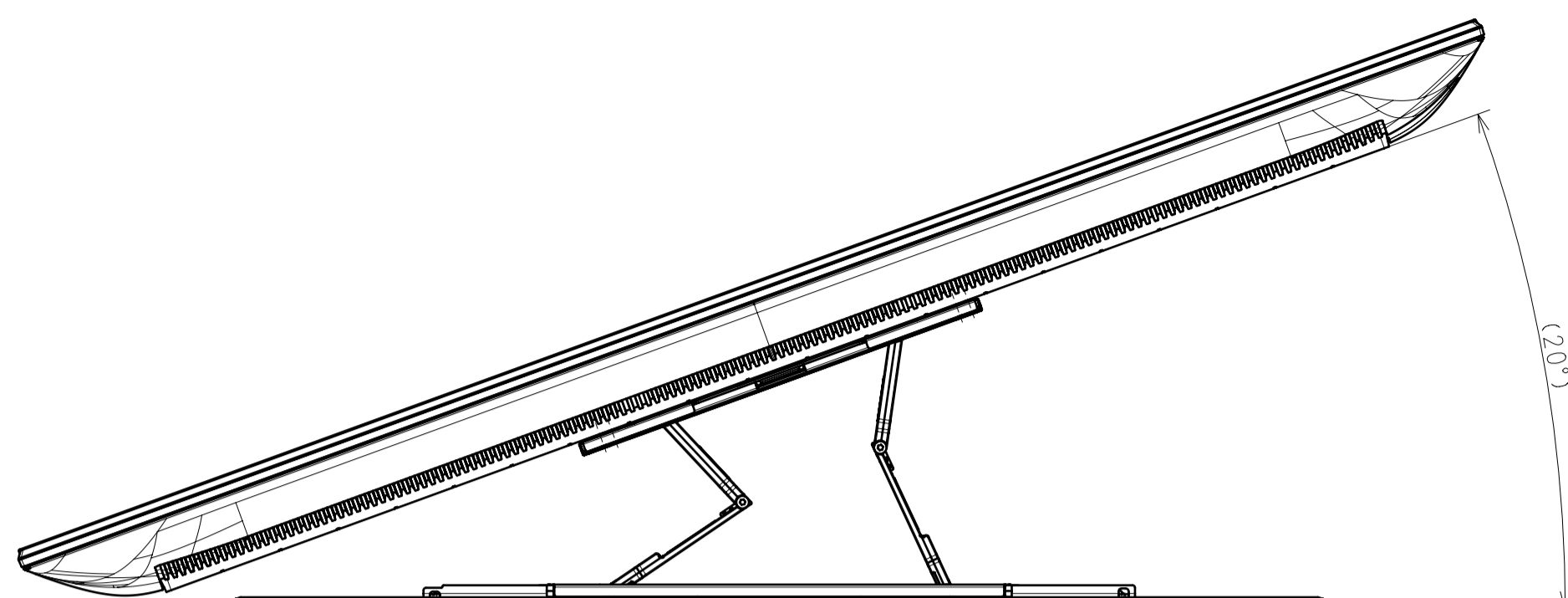
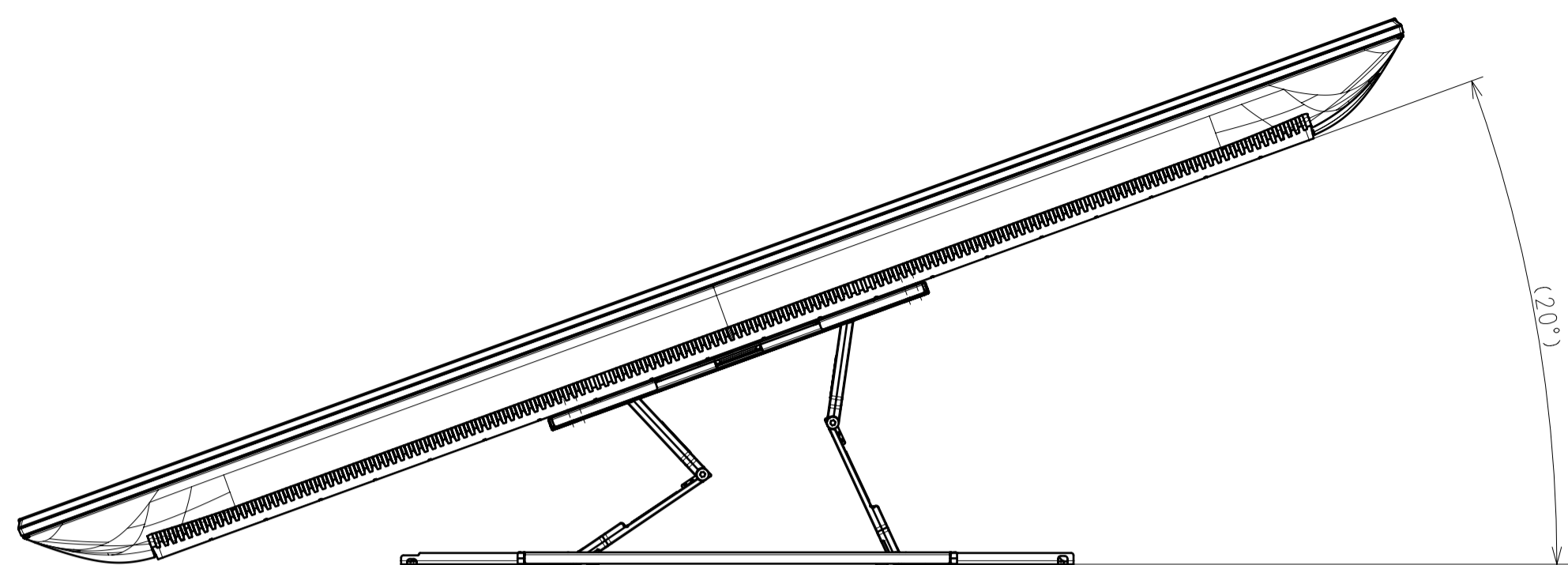


SONY STANDARD

| | | |
|-------------------------|------------------|-------------|
| DESCRIPTION | LEGAL OWNER | SCALE |
| 55 (X85K) EXTERIOR VIEW | Sony Corporation | 1:5 |
| DESCRIPTION | PART NO. | SHEET/PAGES |
| 55 (X85K) EXTERIOR VIEW | | 5 / 6 |

SU-WL 850

SU-WL 855 (WITH LATERAL SHAFT BRACKET)



| | | | | | |
|---------------|-------------------------|-------------|------------------|-------------|-------|
| DESCRIPTION 1 | 55 (X85K) EXTERIOR VIEW | LEGAL OWNER | Sony Corporation | SCALE | 1:5 |
| DESCRIPTION 2 | 55 (X85K) EXTERIOR VIEW | PART NO. | | SHEET/PAGES | 6 / 6 |